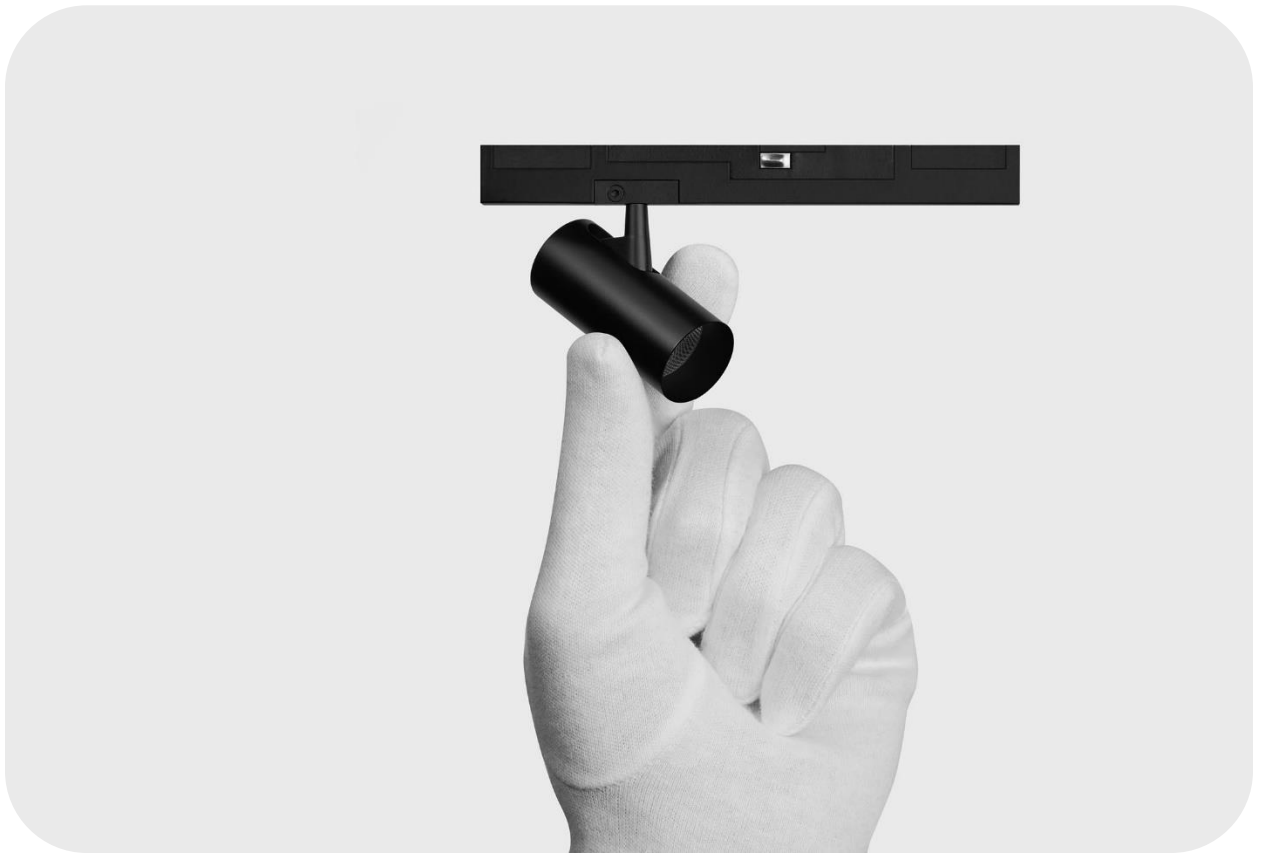


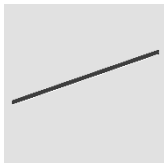
Magnetic Micro & Mini Track Light



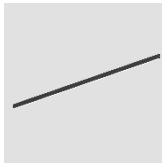
نوران
NOORAN



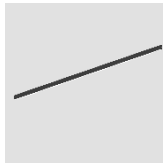
Magnetic Micro Track Light



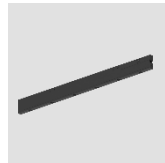
Page 11



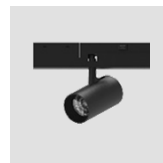
Page 12



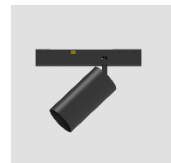
Page 13



Page 14



Page 15



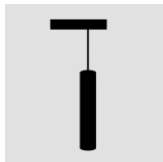
Page 16



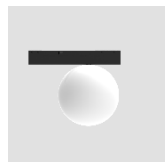
Page 17



Page 18



Page 19



Page 20





Magnetic Mini Track Light



Page 25



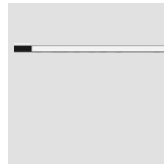
Page 26



Page 27



Page 28



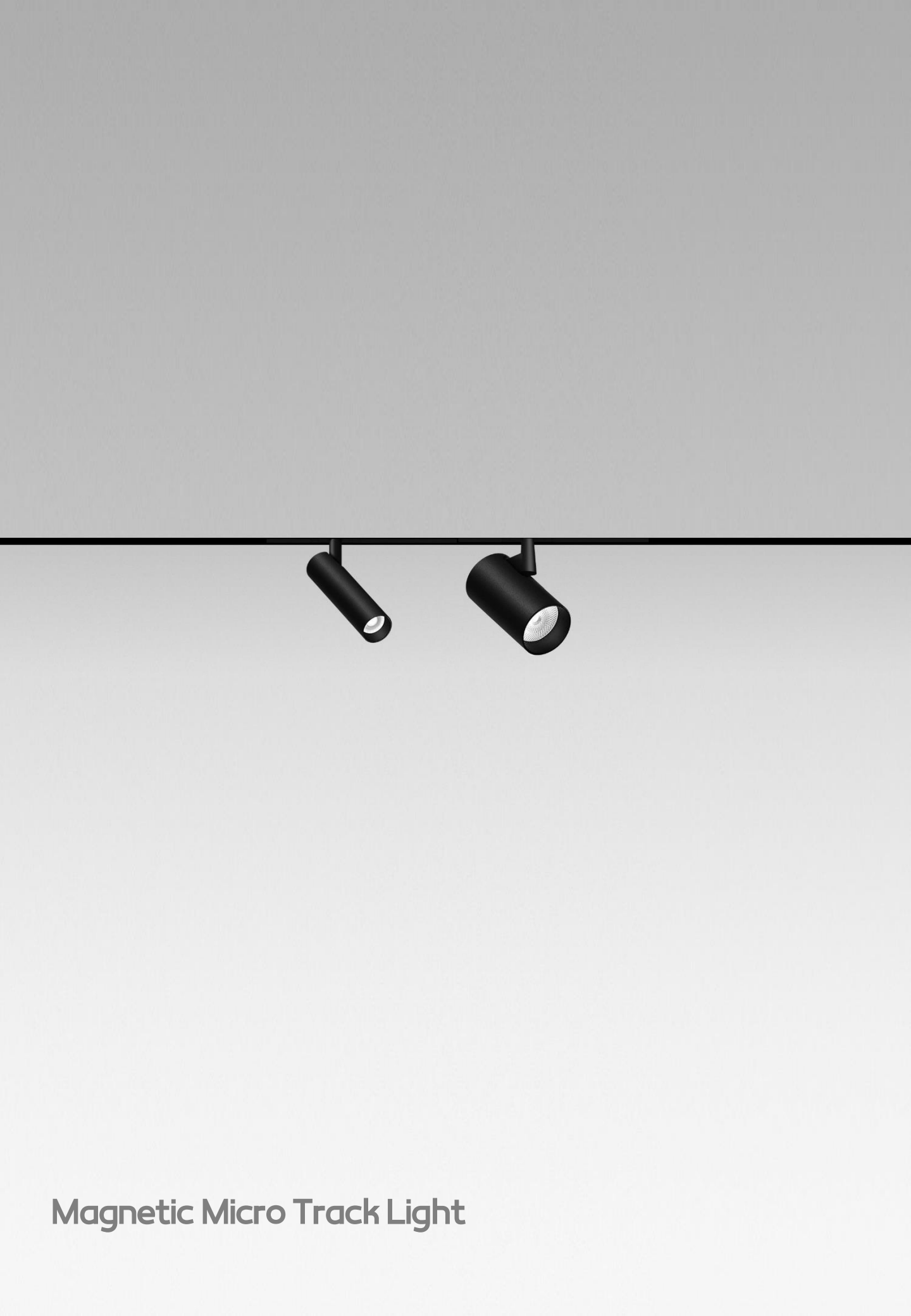
Page 29



Page 30

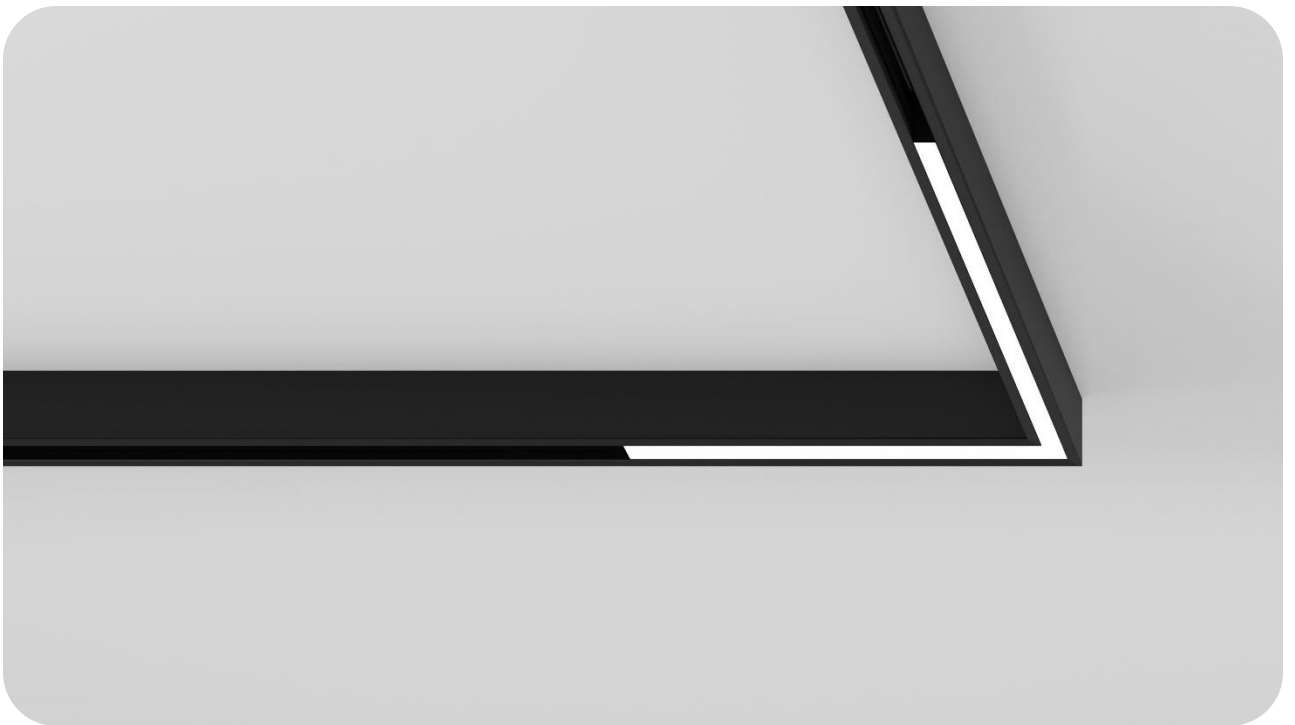
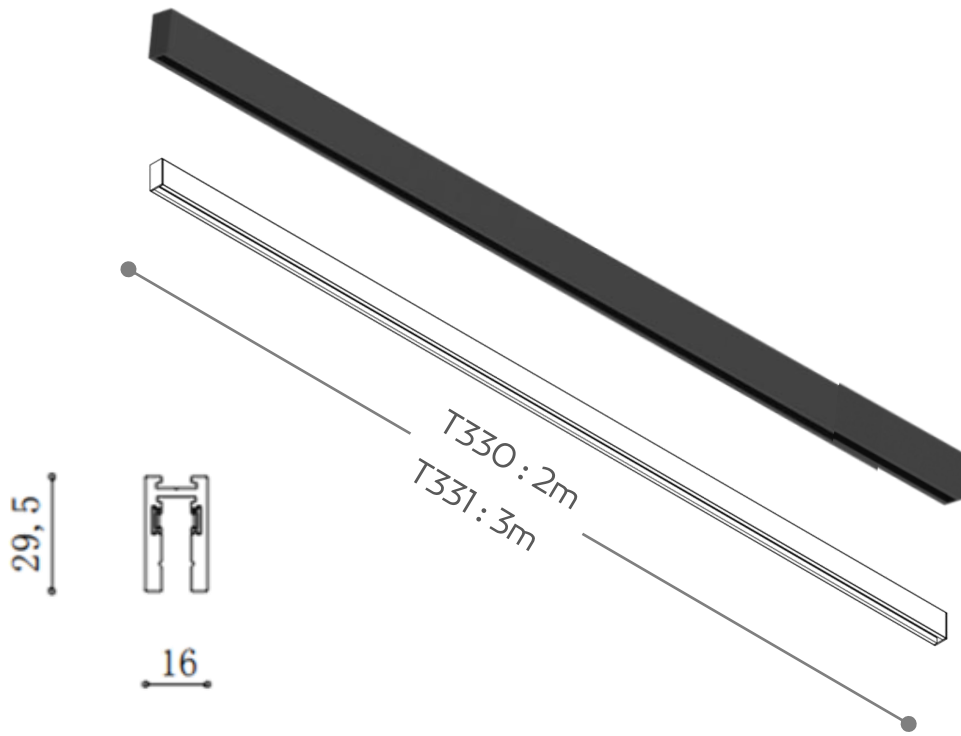


نوران
NOORIN

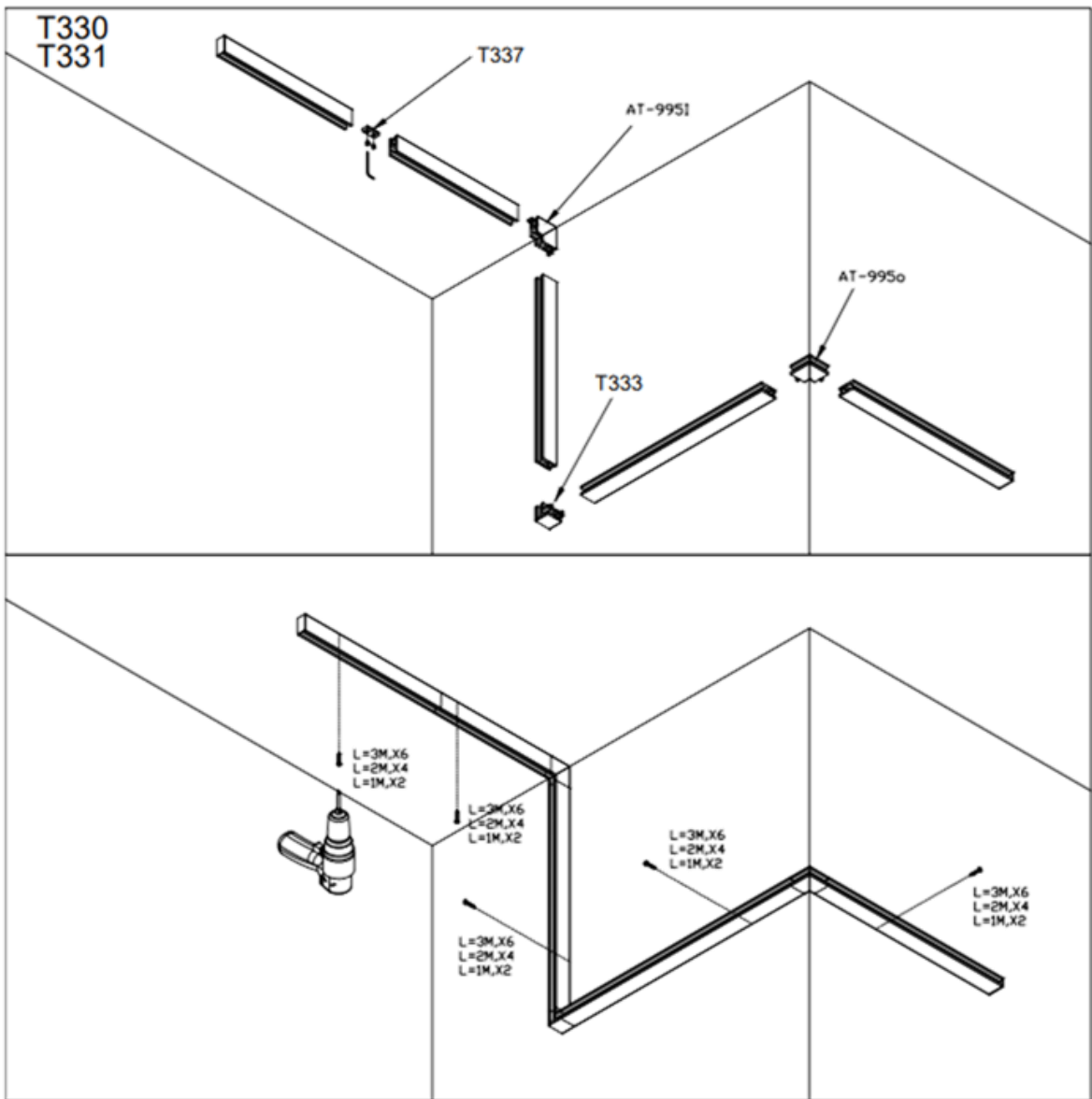


Magnetic Micro Track Light

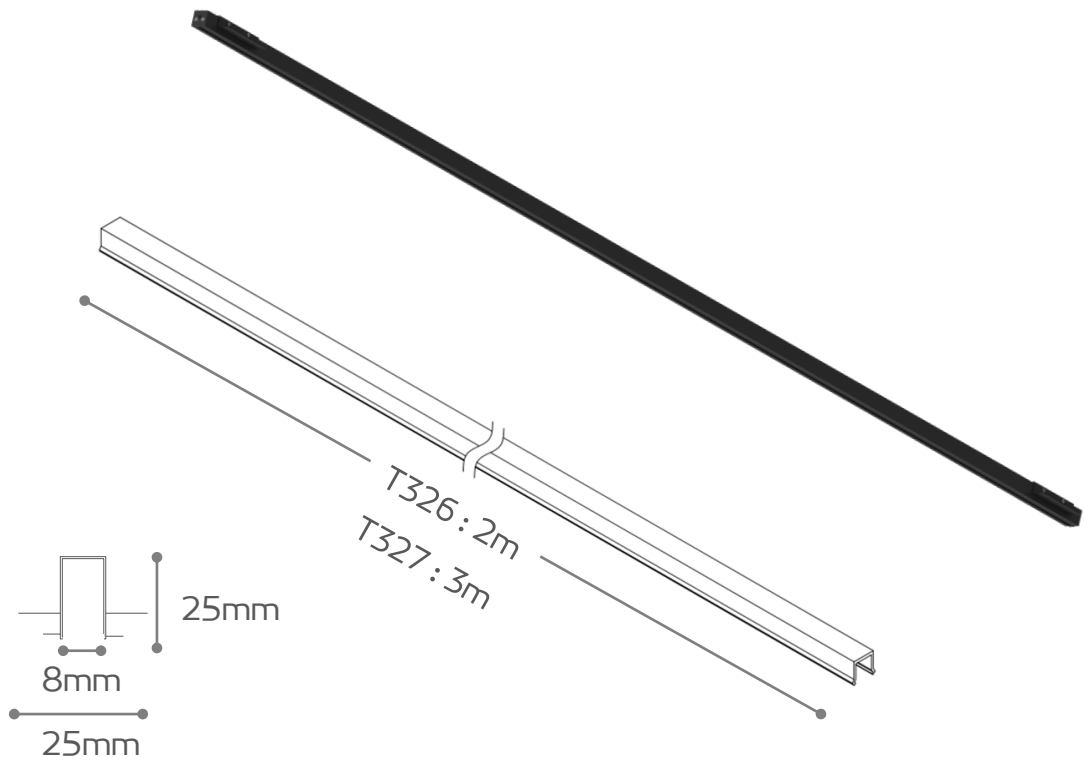
Micro Surface Tracks:



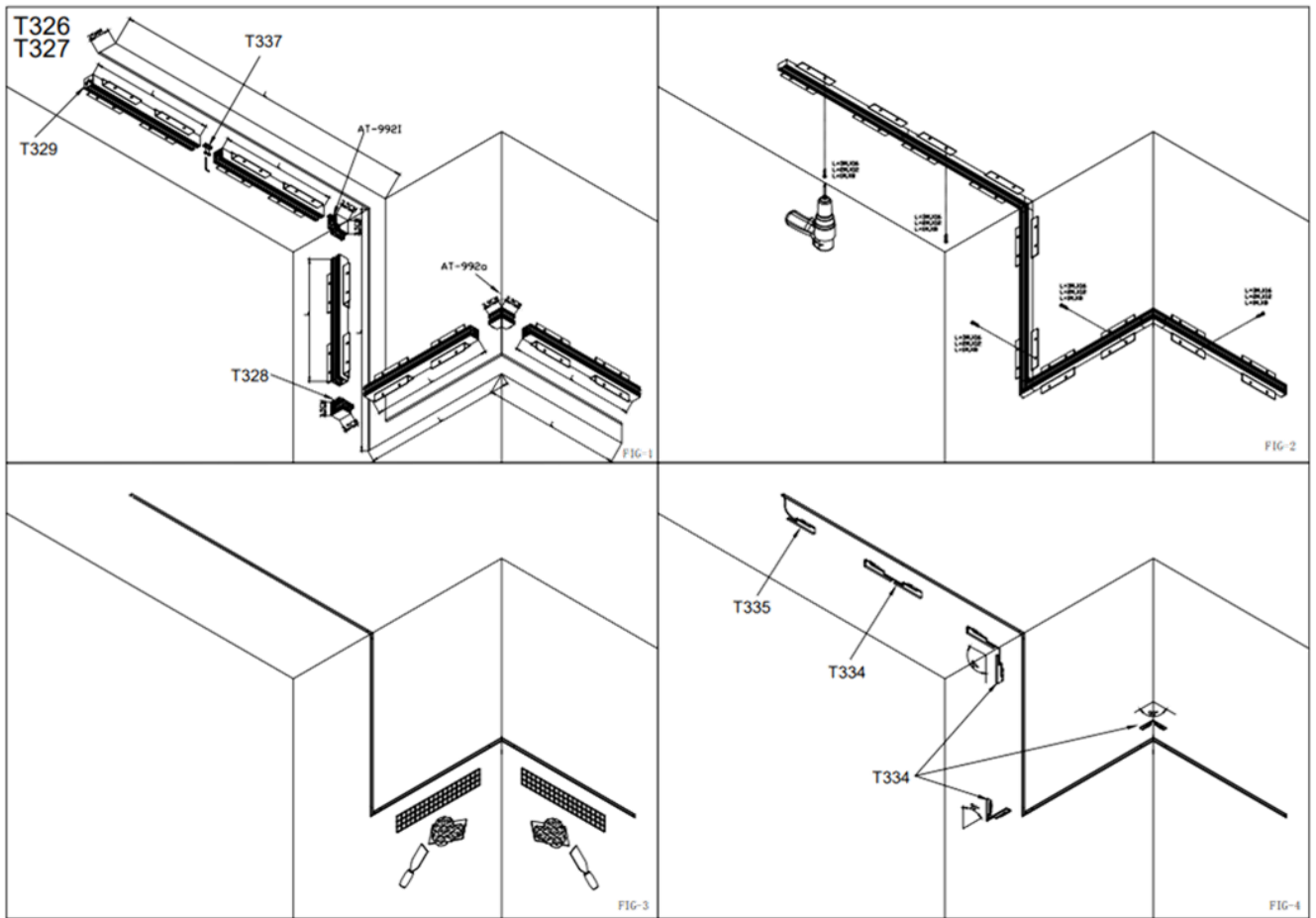
Micro Surface Track Installation:



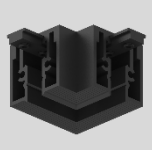
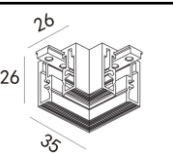
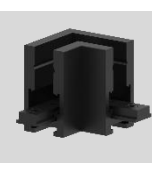
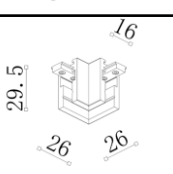

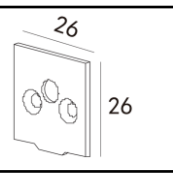
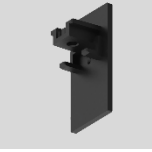
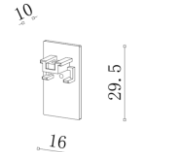

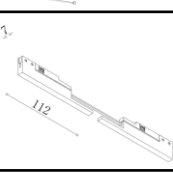

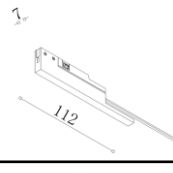

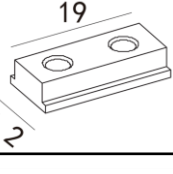
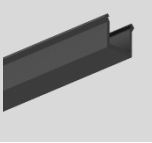
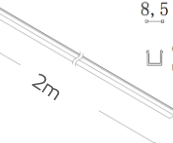
Micro Recessed Tracks:



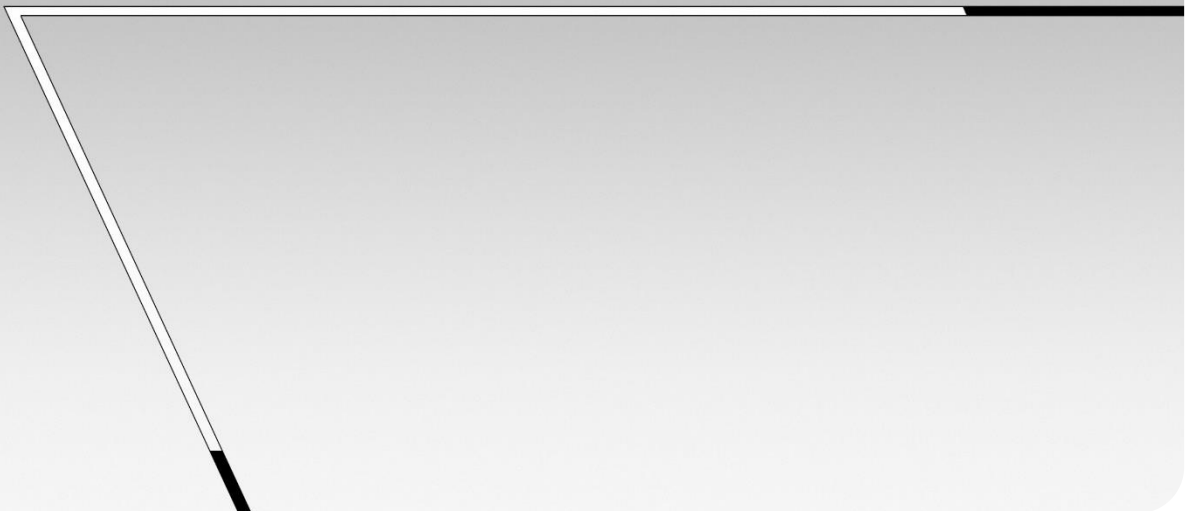
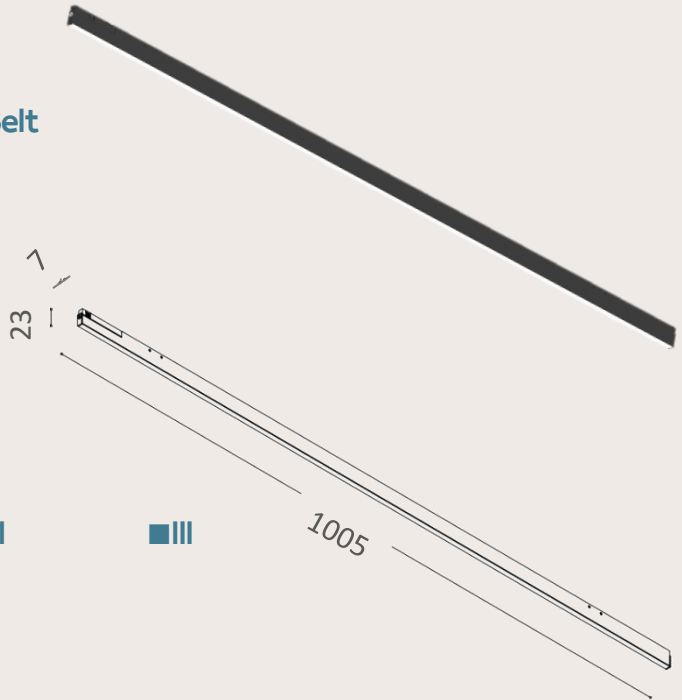
Micro Recessed Track Installation:



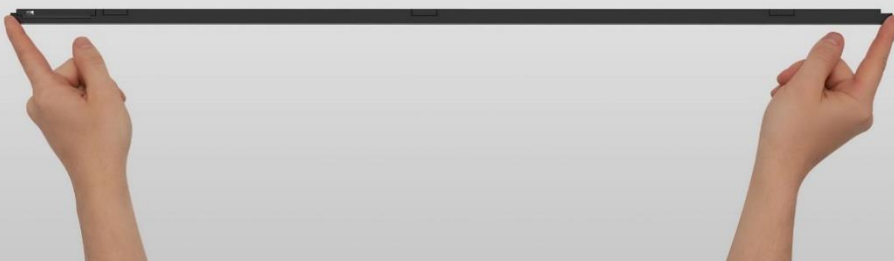
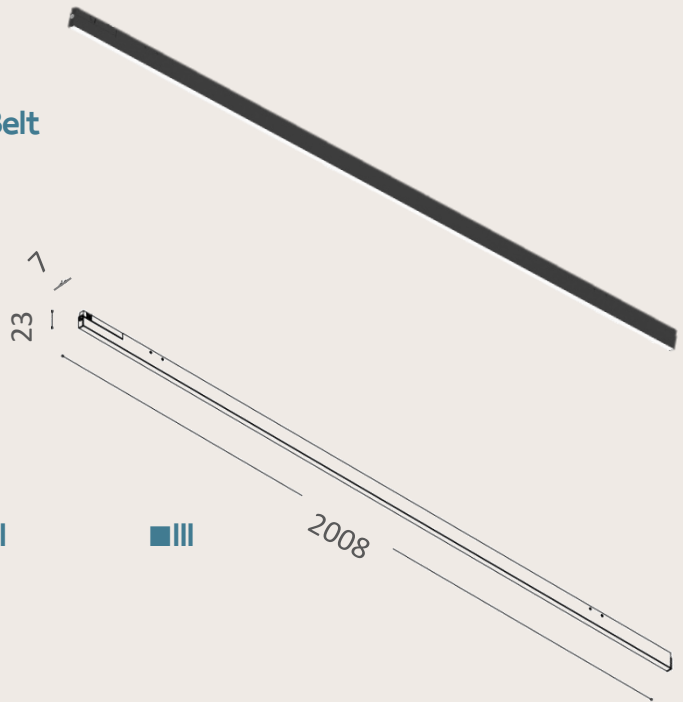
Micro Track Parts:

	Description	Line Drawing	Item Code	Dimension(mm)	Color
	Micro Recessed Track, L corner		T328	35x26x26	Black
	Micro Surface Track, L corner		T333	26x26x29.5	Black
	End cap for recessed track		T329	26x26	Black
	End cap for surface track		T332	16x10x29.5	Black
	Electricity connector		T334	112x7x23	Black
	Electricity Live in		T335	112x7x23	Black
	Connection part of tracks		T337	9.2x19x4	Black
	Track cover 2m		T336	2000X8.5X7.9	Black

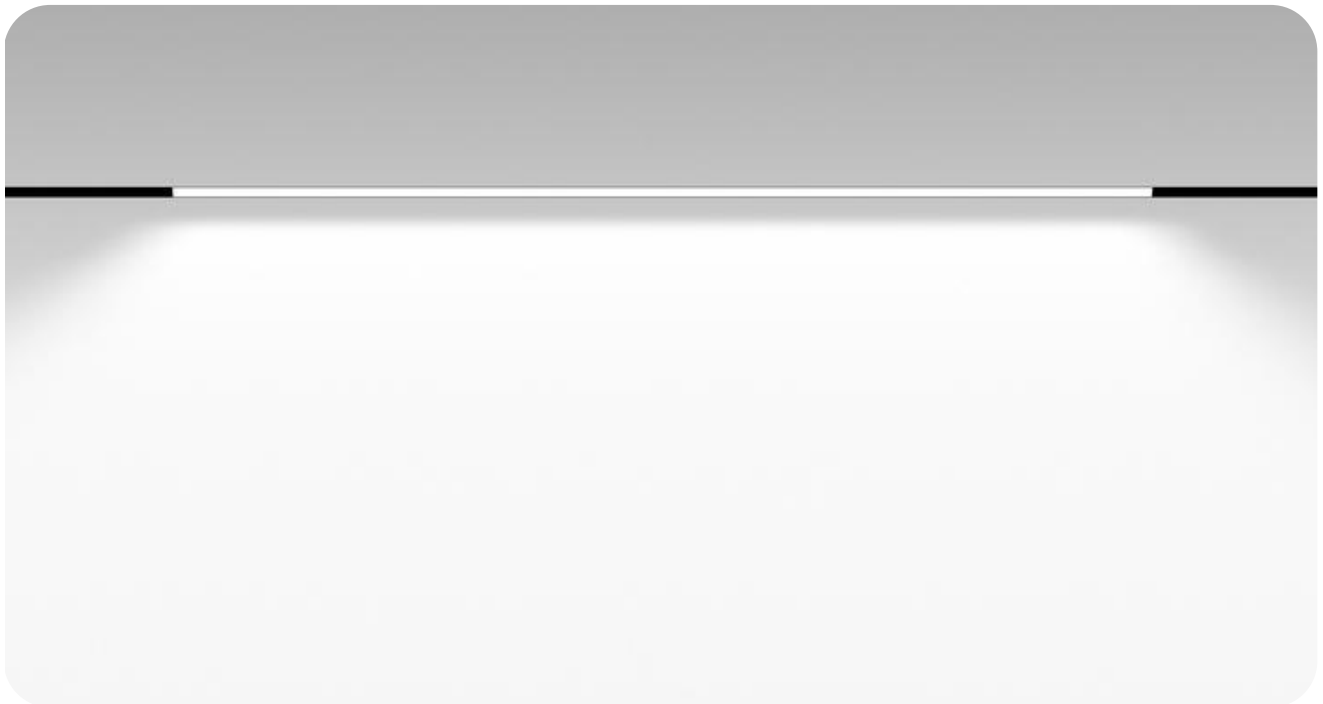
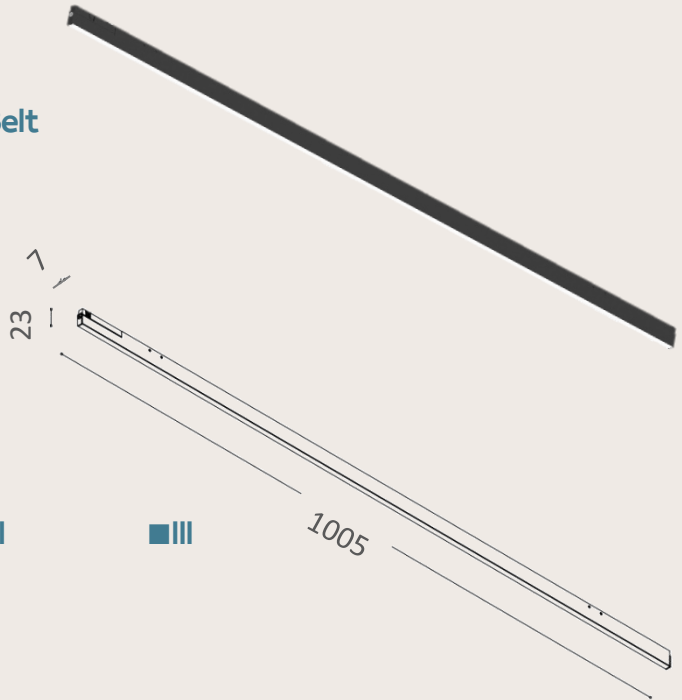
Code	T338
Input Voltage	DC48
Power(Watts)	10W
Lumen	439lm
Lamp holder	Flexible Lamp Belt
Light Source	Bridgelux 2835
Beam Angle	120°
Color Temperature	3000K
CRI \geq	80
IP level	IP20
Main Material	Aluminum
Wire connection way	Terminal block
Class	<input type="checkbox"/> I <input type="checkbox"/> II <input checked="" type="checkbox"/> III
Certificates	CE . ROHS



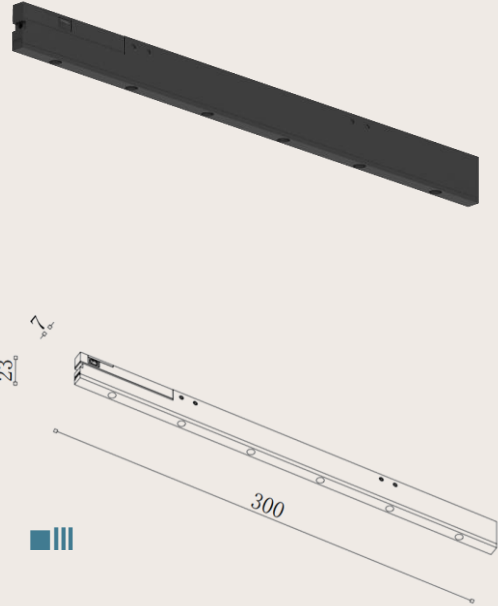
Code	T339
Input Voltage	DC48
Power(Watts)	20W
Lumen	880lm
Lamp holder	Flexible Lamp Belt
Light Source	Bridgelux 2835
Beam Angle	120°
Color Temperature	3000K
CRI \geq	80
IP level	IP20
Main Material	Aluminum
Wire connection way	Terminal block
Class	<input type="checkbox"/> I <input type="checkbox"/> II <input checked="" type="checkbox"/> III
Certificates	CE . ROHS



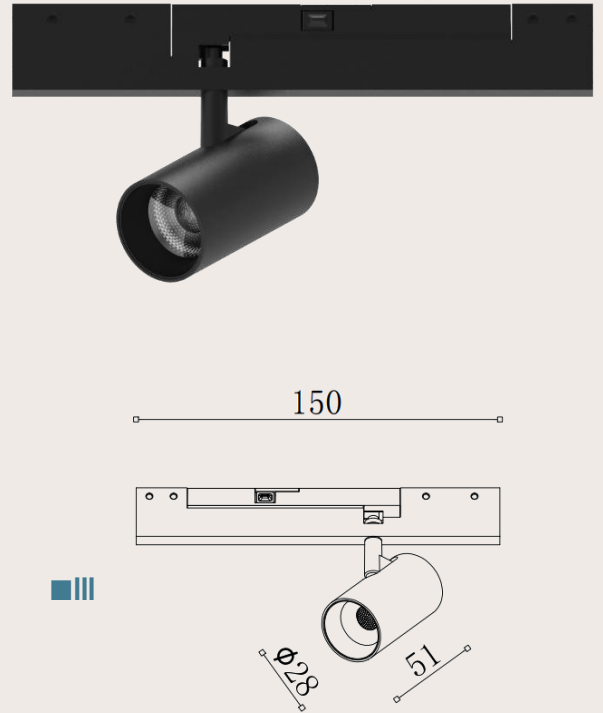
Code	T346 (Wallwasher)
Input Voltage	DC48
Power(Watts)	12W
Lumen	321.7lm
Lamp holder	Flexible Lamp Belt
Light Source	Bridgelux 2835
Beam Angle	124.4°
Color Temperature	3000K
CRI \geq	90
IP level	IP20
Main Material	Aluminum
Wire connection way	Terminal block
Class	<input type="checkbox"/> I <input type="checkbox"/> II <input checked="" type="checkbox"/> III
Certificates	CE . ROHS



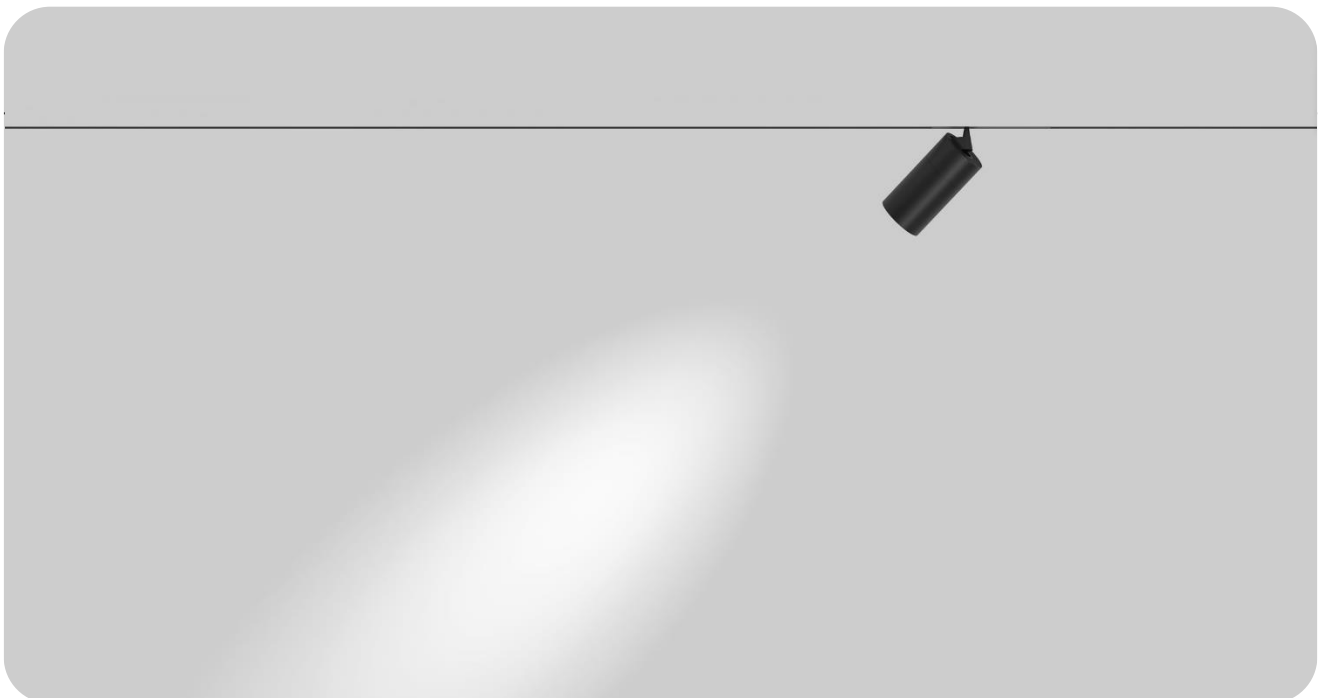
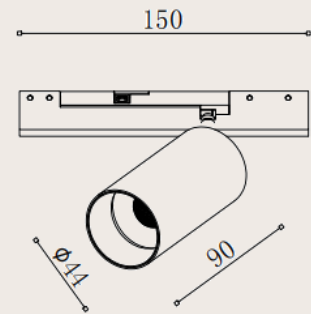
Code	T382
Input Voltage	DC48
Power(Watts)	4W
Lumen	258lm
Lamp holder	Flexible Lamp Belt
Light Source	CREE 3030
Beam Angle	75°
Color Temperature	3000K
CRI \geq	90
IP level	IP20
Main Material	Aluminum
Wire connection way	Terminal block
Class	<input type="checkbox"/> I <input type="checkbox"/> II
Certificates	CE . ROHS



Code	T340
Input Voltage	DC48
Power(Watts)	4.5W
Lumen	416lm
Lamp holder	Flexible Lamp Belt
Light Source	CREE CXA1304
Beam Angle	36°
Color Temperature	3000K
CRI \geq	90
IP level	IP20
Main Material	Aluminum
Wire connection way	Terminal block
Class	<input type="checkbox"/> I <input type="checkbox"/> II <input checked="" type="checkbox"/> III
Certificates	CE . ROHS



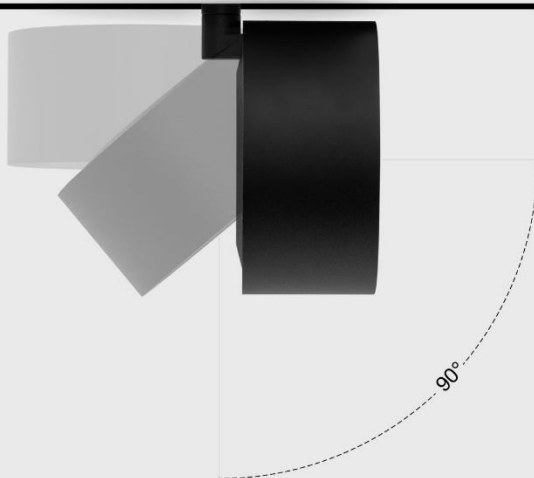
Code	T344
Input Voltage	DC48
Power(Watts)	13W
Lamp holder	Flexible Lamp Belt
Light Source	CREE CXB1512
Beam Angle	30°
Color Temperature	3000K
CRI ≥	90
IP level	IP20
Main Material	Aluminum
Wire connection way	Terminal block
Class	<input type="checkbox"/> I <input type="checkbox"/> II <input checked="" type="checkbox"/> III
Certificates	CE , ROHS



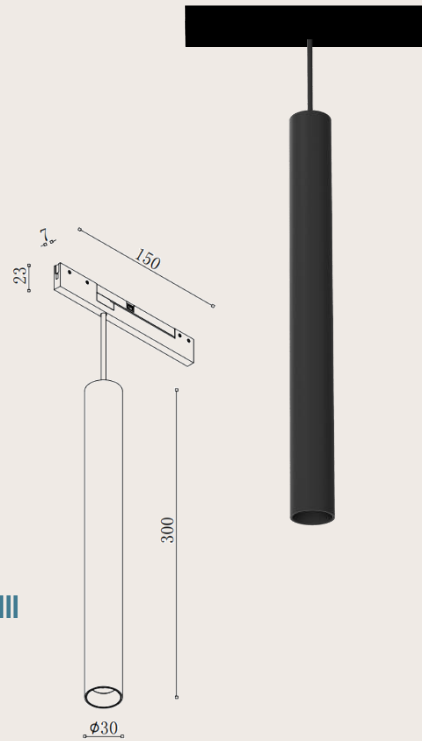
Code	T381
Input Voltage	DC48
Power(Watts)	18W
Lamp holder	Flexible Lamp Belt
Light Source	CREE CXB1512
Beam Angle	30°
Color Temperature	3000K
CRI ≥	90
IP level	IP20
Main Material	Aluminum
Wire connection way	Terminal block
Class	<input type="checkbox"/> I <input type="checkbox"/> II <input checked="" type="checkbox"/> III
Certificates	CE , ROHS



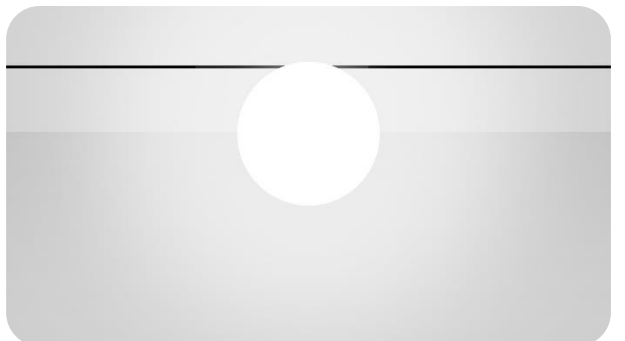
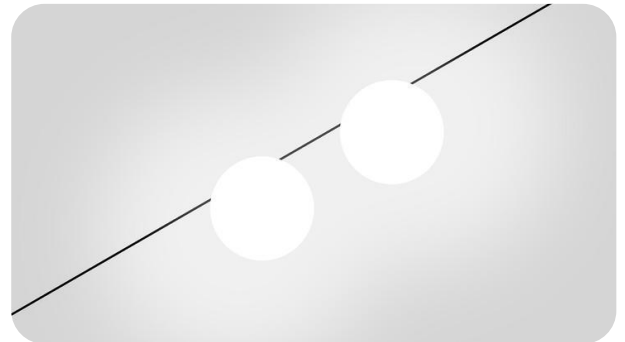
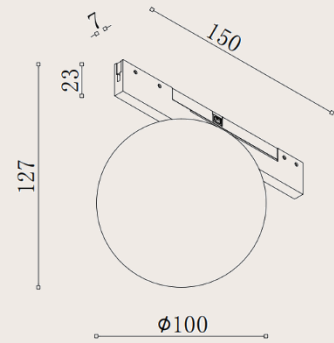
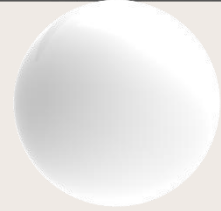
Code	T341
Input Voltage	DC48
Power(Watts)	7W
Lumen	583lm
Lamp holder	Aluminum PCB
Light Source	CREE CXA1304
Beam Angle	38°
Color Temperature	3000K
CRI ≥	90
IP level	IP20
Main Material	Aluminum
Wire connection way	Terminal block
Class	<input type="checkbox"/> I <input type="checkbox"/> II <input checked="" type="checkbox"/> III
Certificates	CE . ROHS



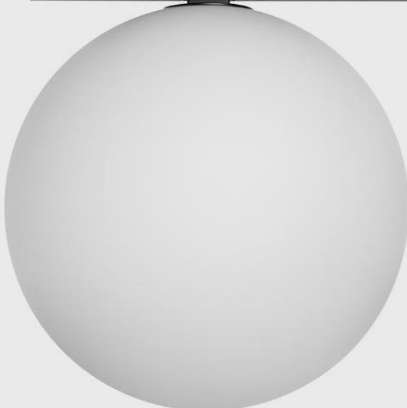
Code	T342
Input Voltage	DC48
Power(Watts)	7W
Lumen	691lm
Lamp holder	Flexible Lamp Belt
Light Source	CREE CXAI304
Beam Angle	36°
Color Temperature	3000K
CRI \geq	90
IP level	IP20
Main Material	Aluminum
Wire connection way	Terminal block
Class	<input type="checkbox"/> I <input type="checkbox"/> II <input checked="" type="checkbox"/> III
Certificates	CE . ROHS



Code	T343
Input Voltage	DC48
Power(Watts)	4W
Lumen	247lm
Lamp holder	Flexible Lamp Belt
Light Source	Bridgelux 2835
Beam Angle	220°
Color Temperature	3000K
CRI \geq	80
IP level	IP20
Main Material	Aluminum
Wire connection way	Terminal block
Class	<input type="checkbox"/> I <input type="checkbox"/> II <input checked="" type="checkbox"/> III
Certificates	CE . ROHS



Magnetic Micro Track Light

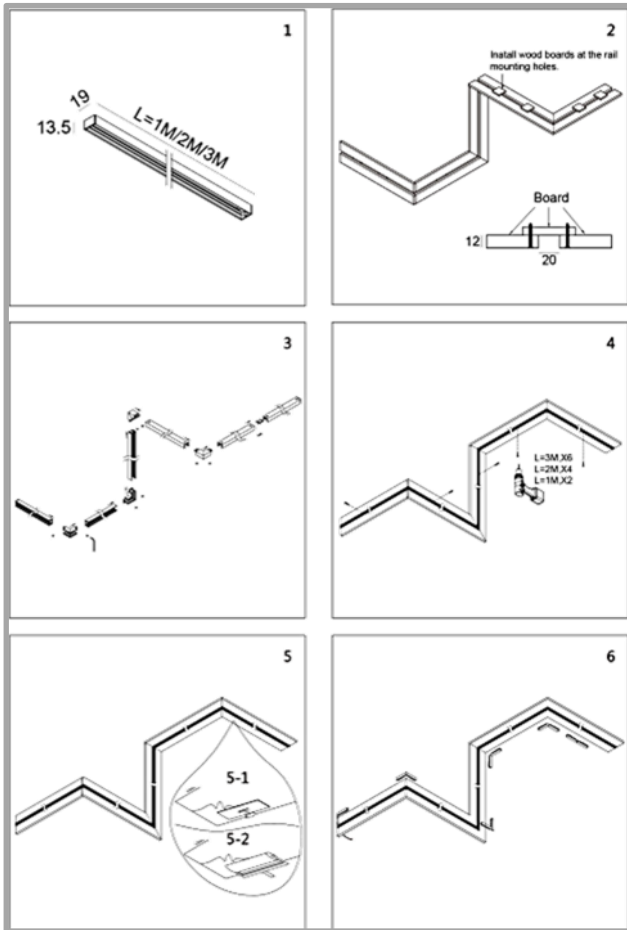




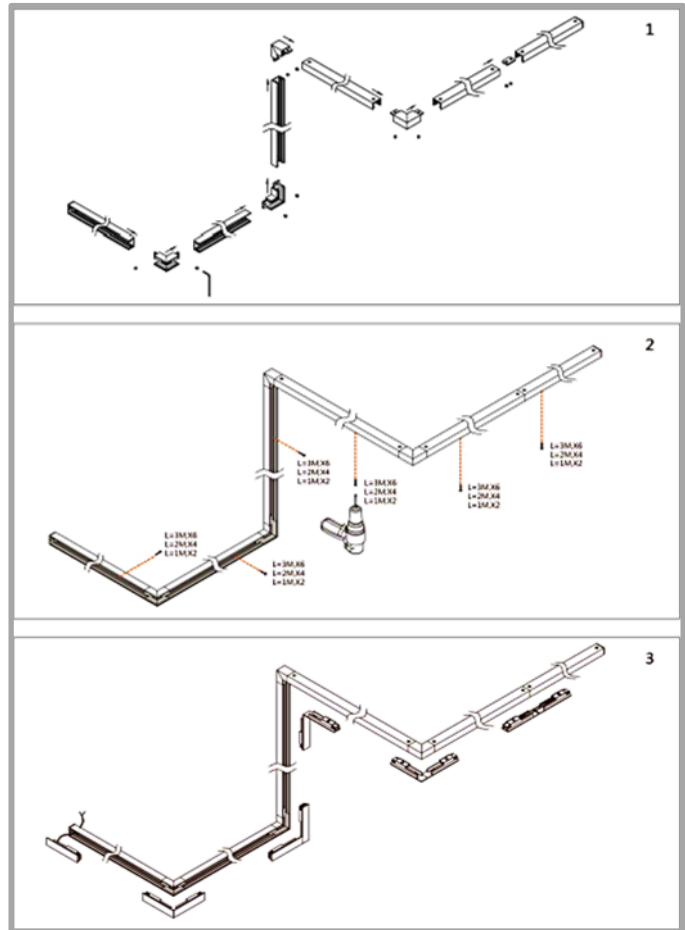
Magnetic Mini Track Light

Installation

Recessed

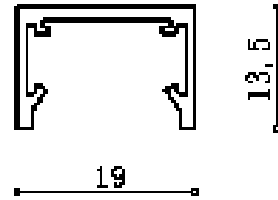


Surface



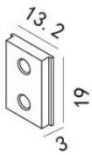
Description of accessories

Profile ▶

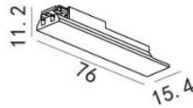


Length	Code No.
2000mm	T288
3000mm	T289

Track Installation Connectors & Accessories ▶



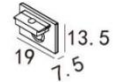
T284



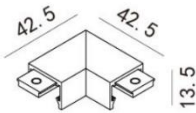
T287



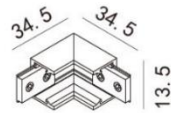
T281



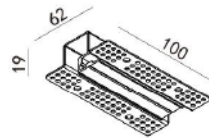
T280



T285



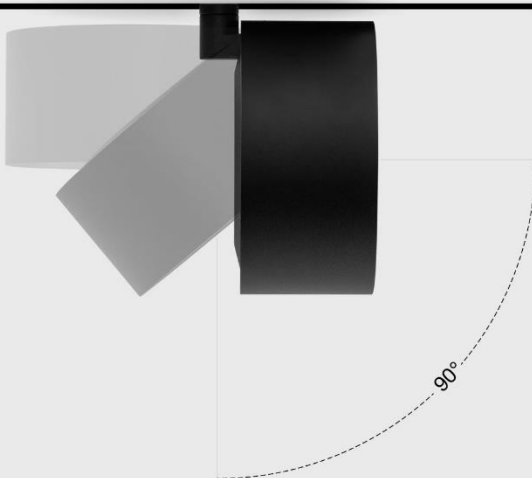
T286



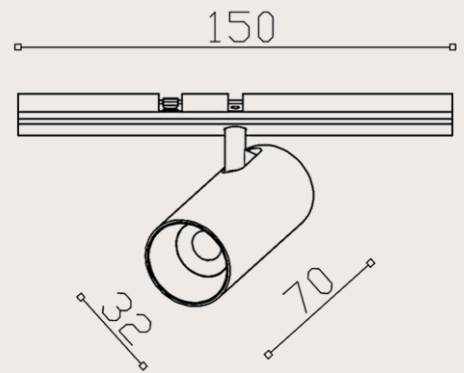
T283

Recessed wing
(To make surface
track to be Recessed)

Code	T383
Input Voltage	DC48
Power(Watts)	6.7W
Lumen	347lm
Lamp holder	Aluminum PCB
Light Source	CREE CXAI304
Beam Angle	36°
Color Temperature	3000K
CRI ≥	90
IP level	IP20
Main Material	Aluminum
Wire connection way	Terminal block
Class	<input type="checkbox"/> I <input type="checkbox"/> II <input checked="" type="checkbox"/> III
Certificates	CE . ROHS

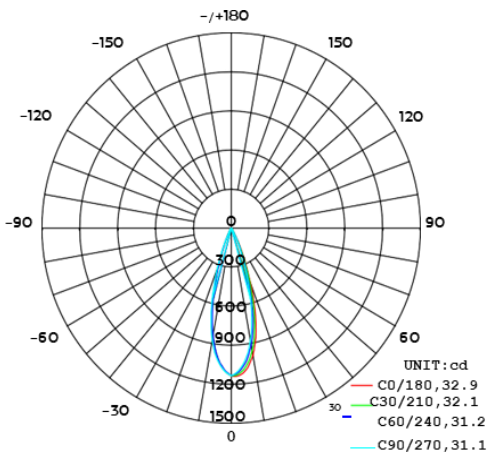


Code	T276
Input Voltage	DC48
Power(Watts)	5.5W
Lumen	347lm
Lamp holder	Ceramic PCB
Light Source	Bridgelux C6
Beam Angle	36°
Color Temperature	3000K
CRI ≥	90
IP level	IP20
Main Material	Aluminum
Wire connection way	Terminal block
Class	<input type="checkbox"/> I <input type="checkbox"/> II <input checked="" type="checkbox"/> III
Certificates	CE . ROHS

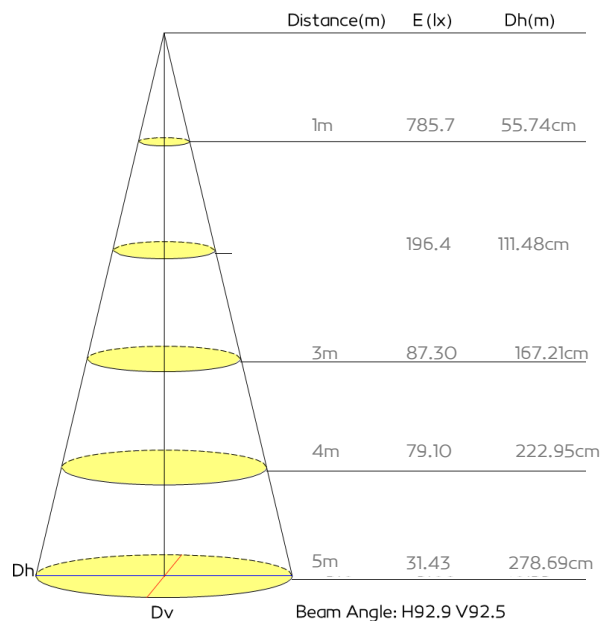


Optic Data

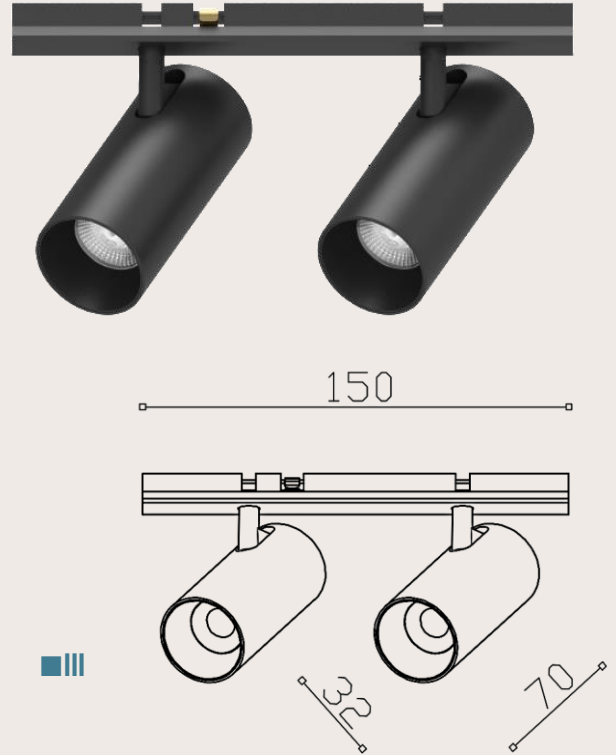
Luminous Intensity Distribution Curve



AAI Figure

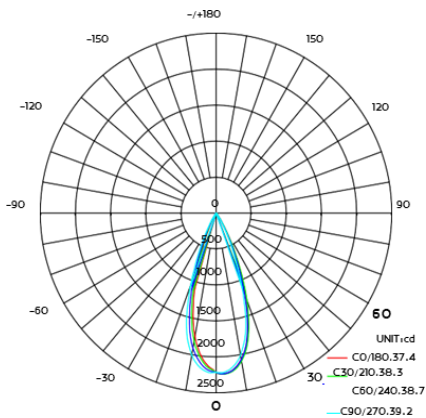


Code	T275
Input Voltage	DC48
Power(Watts)	10.8W
Lumen	928lm
Lamp holder	Ceramic PCB
Light Source	Bridgelux C6
Beam Angle	36°
Color Temperature	3000K
CRI ≥	90
IP level	IP20
Main Material	Aluminum
Wire connection way	Terminal block
Class	<input type="checkbox"/> I <input type="checkbox"/> II <input checked="" type="checkbox"/> III
Certificates	CE . ROHS

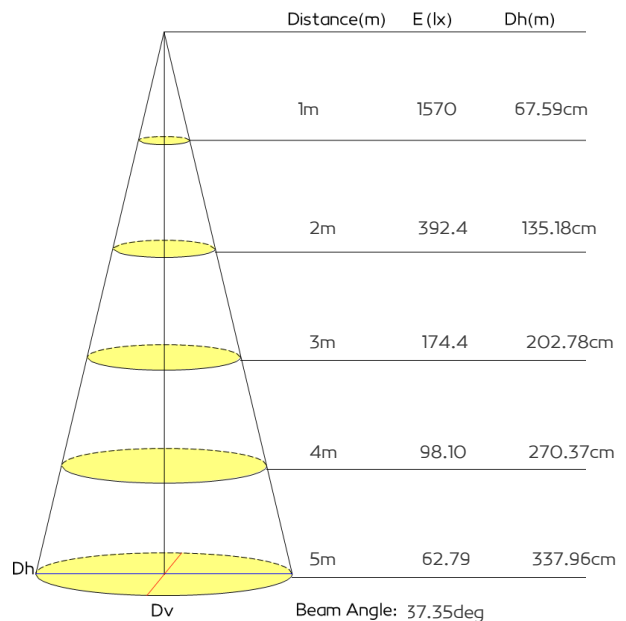


Optic Data

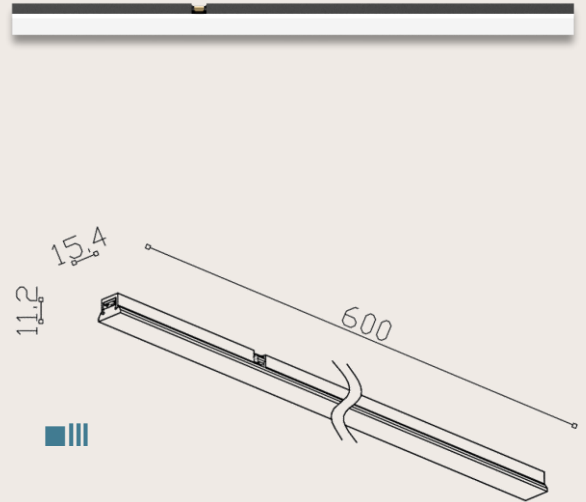
Luminous Intensity Distribution Curve



AAI Figure

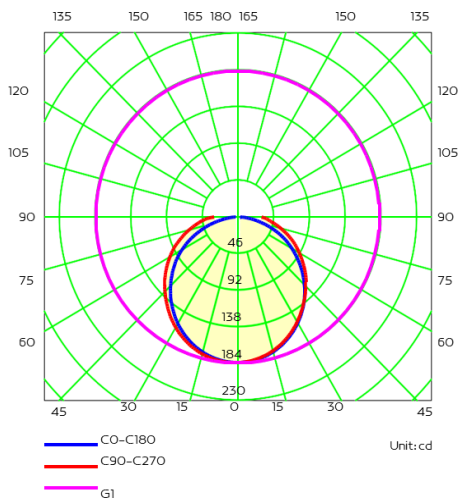


Code	T278
Input Voltage	DC48
Power(Watts)	13W
Lumen	581lm
Lamp holder	Aluminum PCB
Light Source	Bridgelux 2835
Beam Angle	124°
Color Temperature	3000K
CRI ≥	80
IP level	IP20
Main Material	Aluminum
Wire connection way	Terminal block
Class	<input type="checkbox"/> I <input type="checkbox"/> II <input checked="" type="checkbox"/> III
Certificates	CE . ROHS

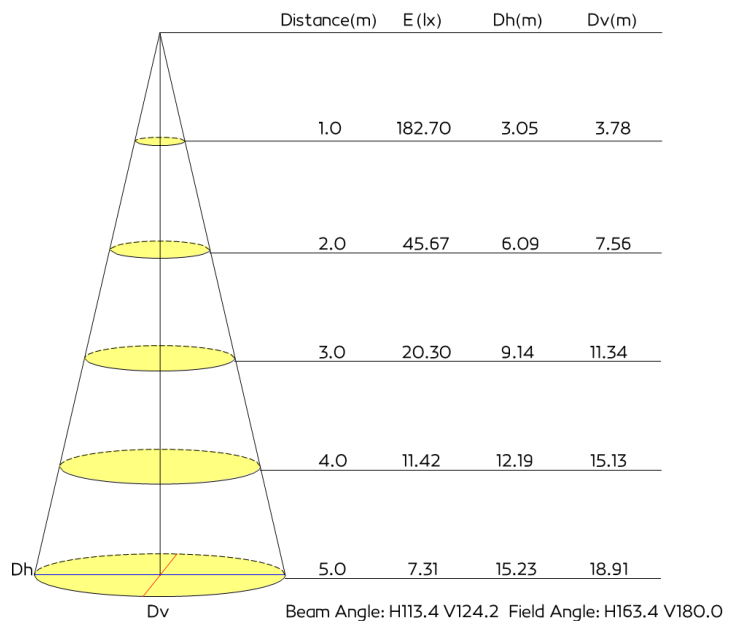


Optic Data

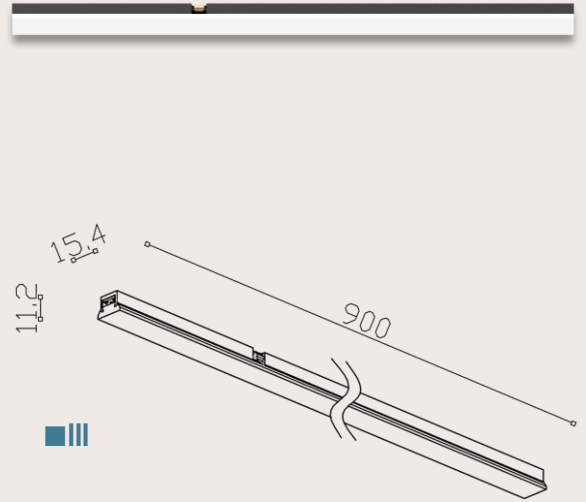
Luminous Intensity Distribution Curve



AAI Figure

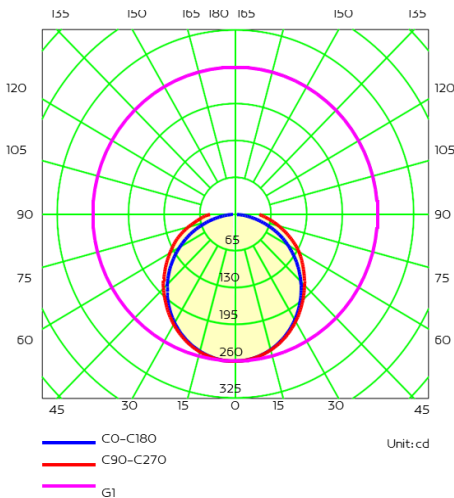


Code	T279
Input Voltage	DC48
Power(Watts)	19.5W
Lumen	820lm
Lamp holder	Aluminum PCB
Light Source	Bridgelux 2835
Beam Angle	124°
Color Temperature	3000K
CRI ≥	90
IP level	IP20
Main Material	Aluminum
Wire connection way	Terminal block
Class	<input type="checkbox"/> I <input type="checkbox"/> II <input checked="" type="checkbox"/> III
Certificates	CE . ROHS

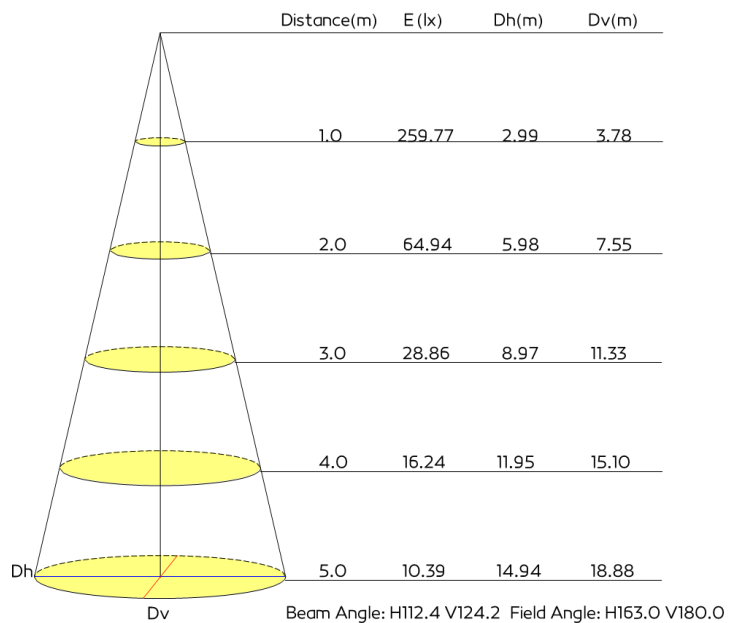


Optic Data

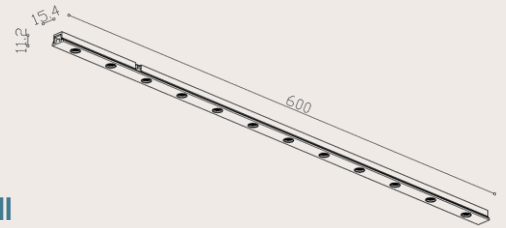
Luminous Intensity Distribution Curve



AAI Figure

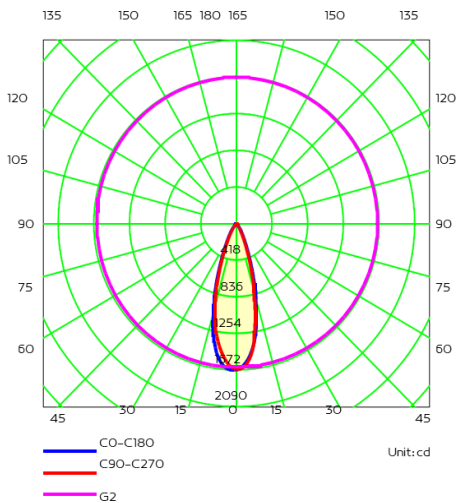


Code	T277
Input Voltage	DC48
Power(Watts)	12x0.8W (9.6W)
Lumen	644lm
Lamp holder	Aluminum PCB
Light Source	CREE 3030
Beam Angle	30°
Color Temperature	3000K
CRI \geq	90
IP level	IP20
Main Material	Aluminum
Wire connection way	Terminal block
Class	<input type="checkbox"/> I <input type="checkbox"/> II <input checked="" type="checkbox"/> III
Certificates	CE . ROHS

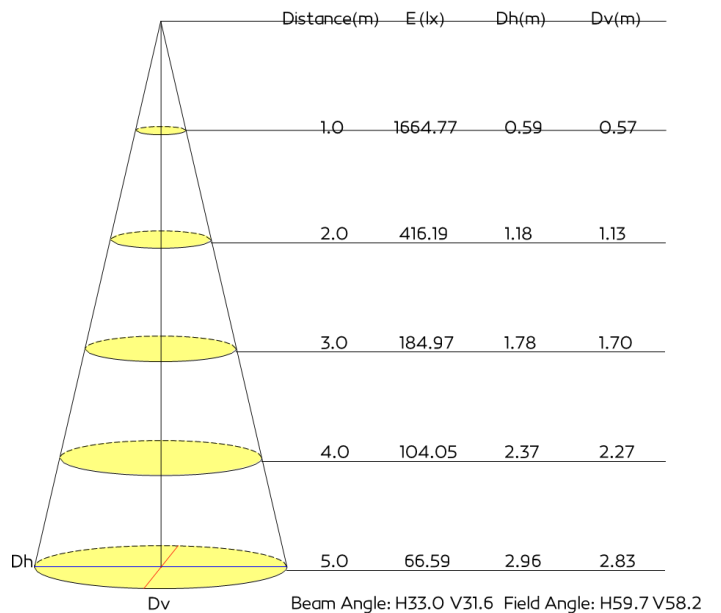


Optic Data

Luminous Intensity Distribution Curve



AAI Figure





نوران
NOORAN