

Outdoor Light



نوران  
NOORAN

2024





Outdoor Light

# Content

---



Page 5



Page 6



Page 7



Page 8



Page 9



Page 10



Page 11



Page 12



Page 13



Page 14



Page 15



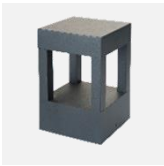
Page 16



Page 17



Page 18



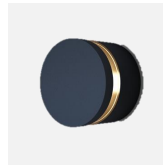
Page 19



Page 20



Page 21



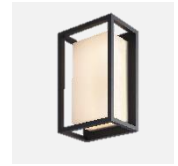
Page 22



Page 23



Page 24



Page 25



Page 26



Page 27



Page 28



Page 29



Page 30



Page 31



Page 32



Page 33



Page 34



Page 35



Page 36



Page 37



Page 38



Page 39



Page 40



Page 41

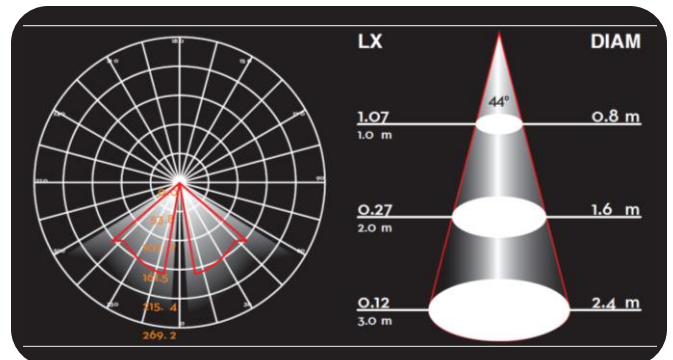
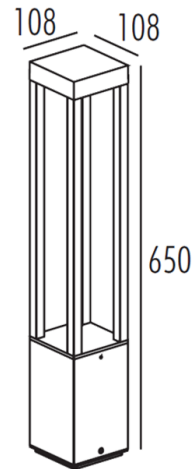
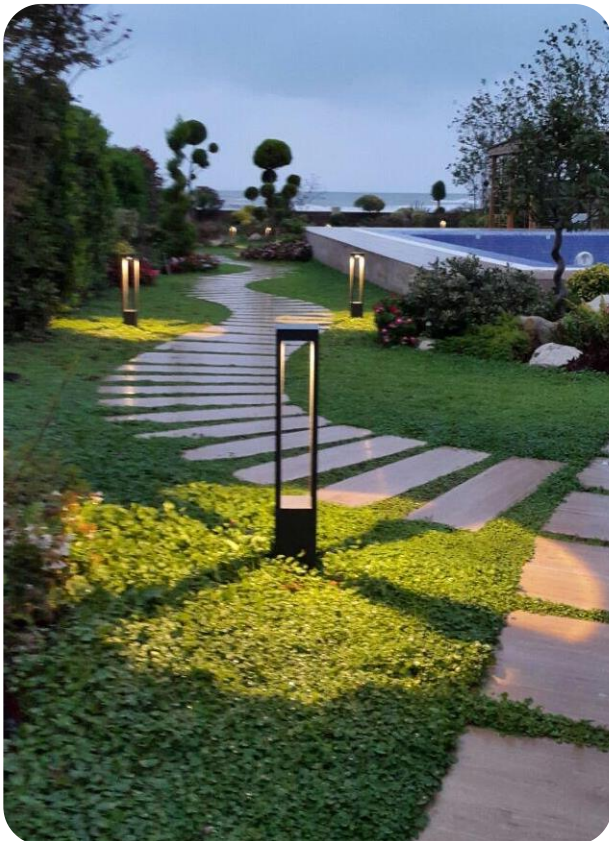


Page 42

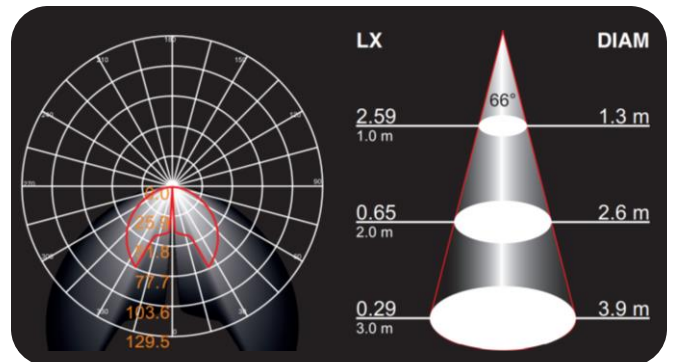
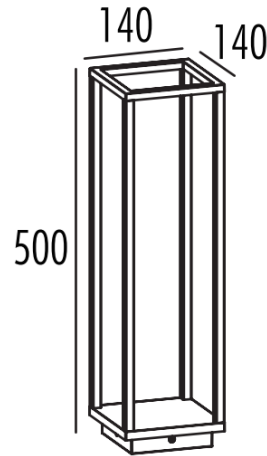


Page 43

Code	H113
Power (Watts)	7W
Color Temperature	3000K
Lumen	442lm
Beam Angle	44°
CRI ≥	80
IP Level	54
Input Voltage	220-240V
Main Material	Die-Cast Aluminum
Body Color	Dark Gray



<b>Code</b>	<b>H198</b>
<b>Power (Watts)</b>	<b>7W</b>
<b>Color Temperature</b>	<b>3000K</b>
<b>Lumen</b>	<b>388lm</b>
<b>Beam Angle</b>	<b>66°</b>
<b>CRI ≥</b>	<b>80</b>
<b>IP Level</b>	<b>54</b>
<b>Input Voltage</b>	<b>220-240V</b>
<b>Main Material</b>	<b>Die-Cast Aluminum</b>
<b>Body Color</b>	<b>Dark Gray</b>



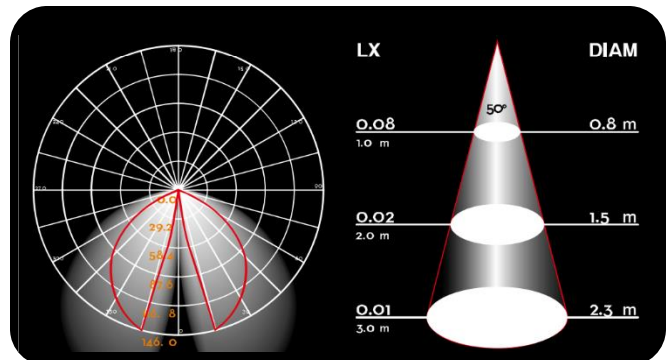
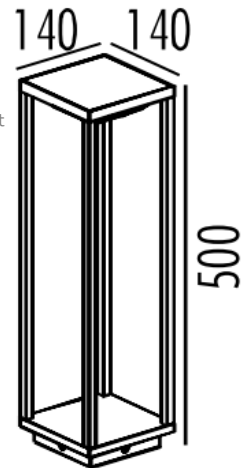
<b>Code</b>	<b>H162</b>
<b>Power (Watts)</b>	<b>0.45W (2W Solar Panel)</b>
<b>Color Temperature</b>	<b>3000K</b>
<b>Lumen</b>	<b>109lm</b>
<b>Beam Angle</b>	<b>50°</b>
<b>Body Material</b>	<b>Die-Cast Aluminum</b>
<b>IP Level</b>	<b>54</b>
<b>CRI <math>\geq</math></b>	<b>80</b>
<b>Work Time <math>\geq</math></b>	<b>20–25h (%15 of Light)</b> <b>2.5–3h (%100 of Light)</b>
<b>Charge Time</b>	<b>6–8h (sunshine)</b>
<b>Battery</b>	<b>1x2200mAh Lithium Battery</b>
<b>Body Color</b>	<b>Dark Gray</b>



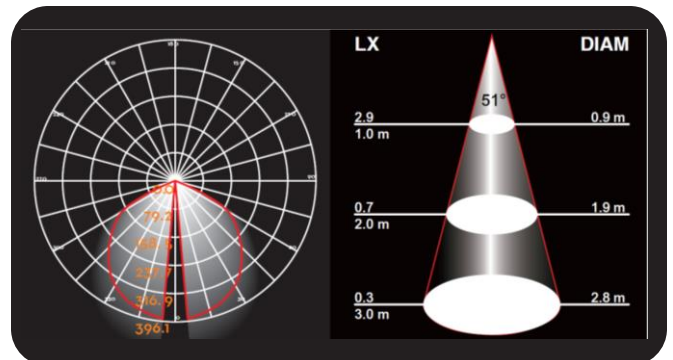
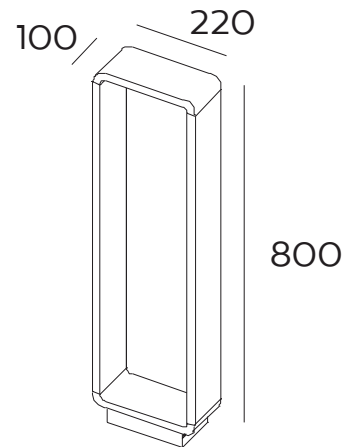
Solar Lamp



Daylight sensor lux < 20  
Automatically light up at night

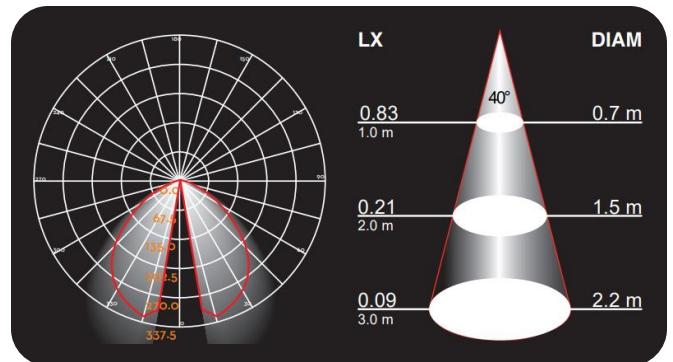
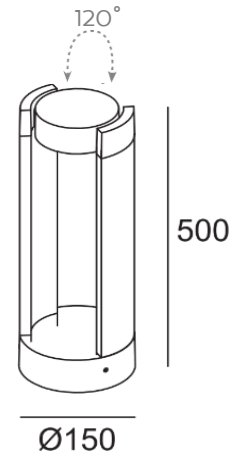


<b>Code</b>	<b>H159</b>
<b>Power (Watts)</b>	<b>10W</b>
<b>Color Temperature</b>	<b>3000K</b>
<b>Lumen</b>	<b>590lm</b>
<b>Beam Angle</b>	<b>51°</b>
<b>CRI ≥</b>	<b>80</b>
<b>IP Level</b>	<b>54</b>
<b>Input Voltage</b>	<b>220-240V</b>
<b>Main Material</b>	<b>Die-Cast Aluminum</b>
<b>Body Color</b>	<b>Dark Gray</b>

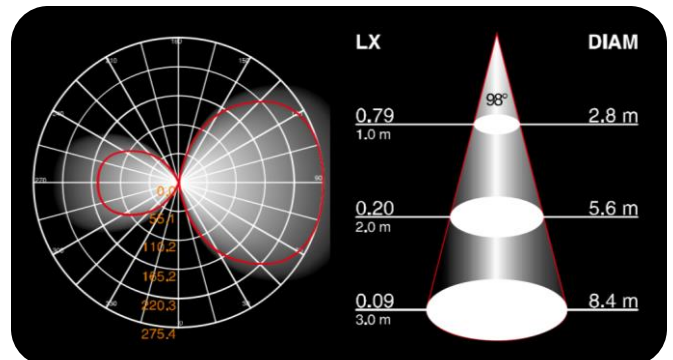
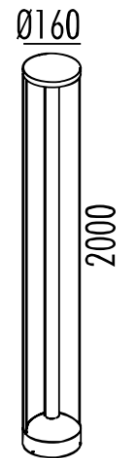
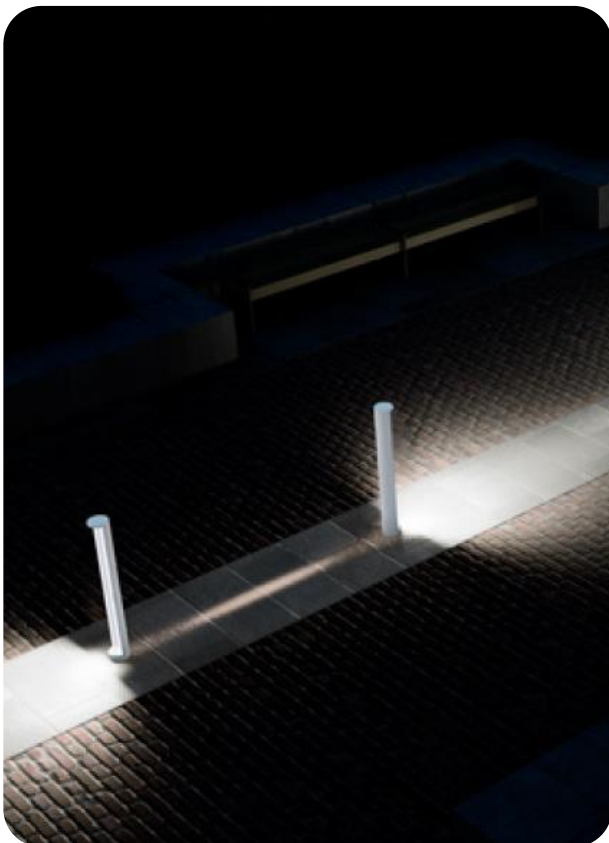




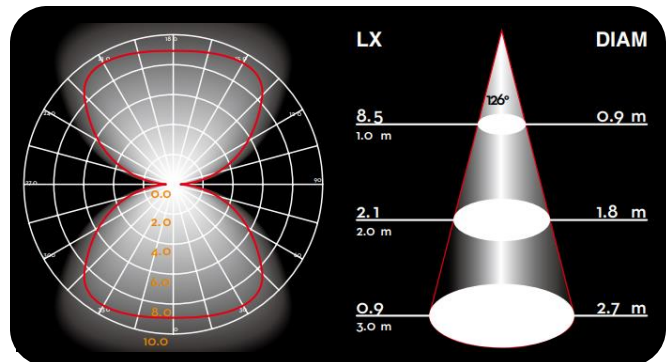
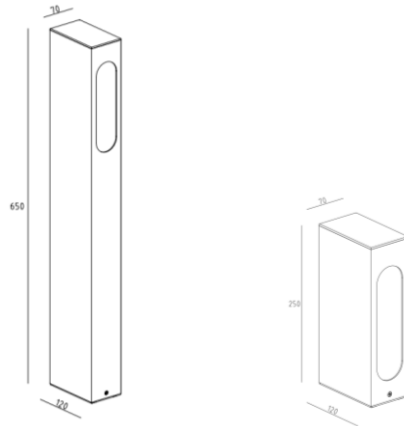
Code	H202 (500mm)
Power (Watts)	10W
Color Temperature	3000K
Lumen	705lm
Beam Angle	40°
CRI ≥	80
IP Level	65
Input Voltage	220-240V
Main Material	Die-Cast Aluminum
Body Color	Dark Gray



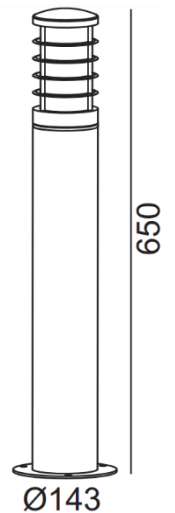
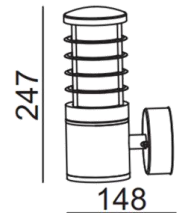
<b>Code</b>	<b>H207</b>
<b>Power (Watts)</b>	<b>56x0.8W (45W)</b>
<b>Color Temperature</b>	<b>3000K</b>
<b>Lumen</b>	<b>1650lm</b>
<b>Beam Angle</b>	<b>98°</b>
<b>CRI ≥</b>	<b>83</b>
<b>IP Level</b>	<b>65</b>
<b>Input Voltage</b>	<b>220-240V</b>
<b>Main Material</b>	<b>Die-Cast Aluminum</b>
<b>Body Color</b>	<b>Dark Gray</b>



<b>Code</b>	<b>H217 (650) / H174 (250)</b>
<b>Power (Watts)</b>	<b>7W</b>
<b>Color Temperature</b>	<b>3000K</b>
<b>Lumen</b>	<b>159lm</b>
<b>Beam Angle</b>	<b>36°</b>
<b>CRI ≥</b>	<b>80</b>
<b>IP Level</b>	<b>54</b>
<b>Input Voltage</b>	<b>220-240V</b>
<b>Main Material</b>	<b>Die-Cast Aluminum</b>
<b>Body Color</b>	<b>Dark Gray</b>



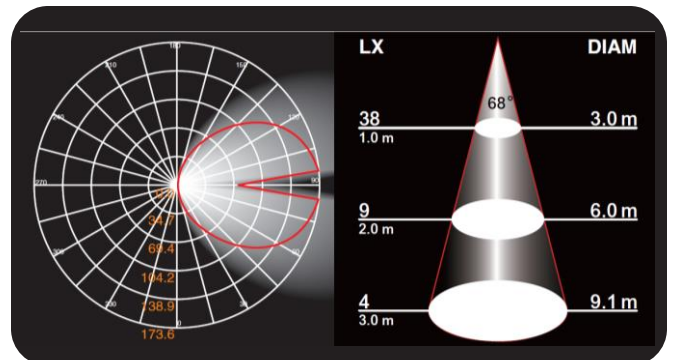
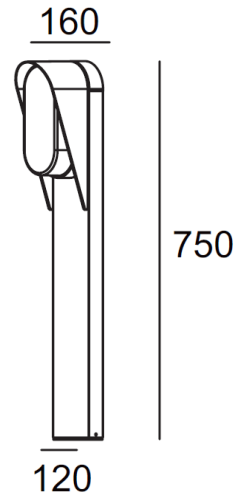
<b>Code</b>	<b>H128 / H129</b>
<b>Base</b>	<b>E27</b>
<b>Maximum Power</b>	<b>20W</b>
<b>IP Level</b>	<b>54</b>
<b>Input Voltage</b>	<b>220-240V</b>
<b>Main Material</b>	<b>Die-Cast Aluminum</b>
<b>Body Color</b>	<b>Dark Gray</b>



Code	H187
Power (Watts)	15W
Color Temperature	3000K
Lumen	624lm
Beam Angle	68°
CRI ≥	80
IP Level	54
Input Voltage	220-240V
Main Material	Die-Cast Aluminum
Body Color	Dark Gray
Option	Radar Sensor



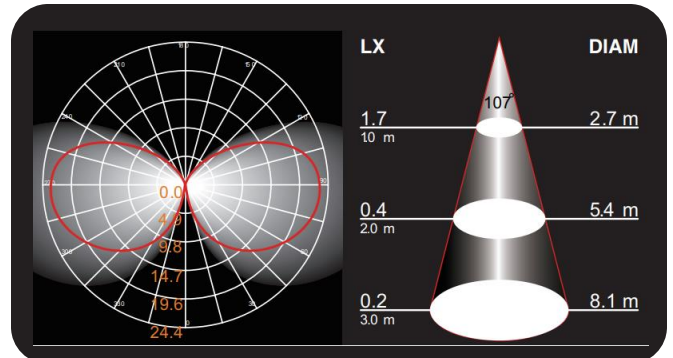
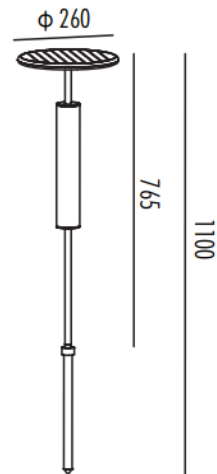
Radar Sensor



<b>Code</b>	<b>H208</b>
<b>Power (Watts)</b>	<b>3.3W (2W Solar Panel)</b>
<b>Color Temperature</b>	<b>3000K</b>
<b>Lumen</b>	<b>243lm</b>
<b>Beam Angle</b>	<b>107°</b>
<b>Body Material</b>	<b>Die-Cast Aluminum</b>
<b>IP Level</b>	<b>54</b>
<b>CRI <math>\geq</math></b>	<b>80</b>
<b>Work Time <math>\geq</math></b>	<b>10h</b>
<b>Charge Time</b>	<b>11h (sunshine)</b>
<b>Battery</b>	<b>3x1800mAh Lithium Battery</b>



Daylight sensor lux < 50  
Automatically light up at night



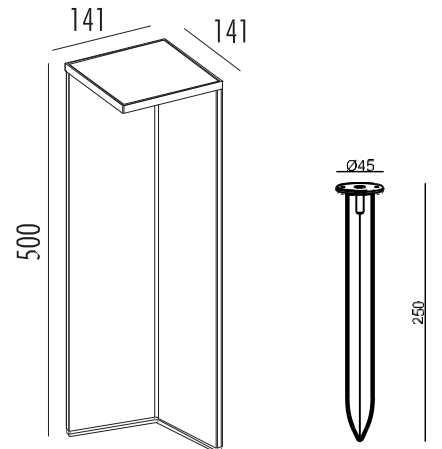
<b>Code</b>	<b>H 195</b>
<b>Power (Watts)</b>	<b>10W SMD</b>
<b>Color Temperature</b>	<b>3000K</b>
<b>Body Material</b>	<b>Die-Cast Aluminum</b>
<b>IP Level</b>	<b>65</b>
<b>CRI <math>\geq</math></b>	<b>84</b>
<b>CCT Switch</b>	<b>With WiFi</b>
<b>Body Color</b>	<b>Dark Gray</b>



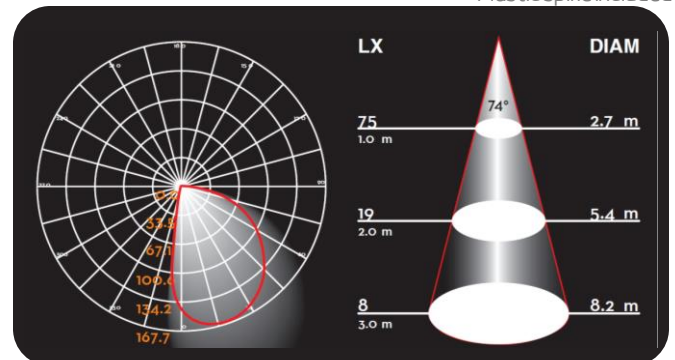
<b>Code</b>	<b>H178</b>
<b>Power (Watts)</b>	<b>2.2W (2W Solar Panel)</b>
<b>Color Temperature</b>	<b>3000K</b>
<b>Lumen</b>	<b>151 lm</b>
<b>Beam Angle</b>	<b>74°</b>
<b>Body Material</b>	<b>Die-Cast Aluminum</b>
<b>IP Level</b>	<b>54</b>
<b>CRI <math>\geq</math></b>	<b>80</b>
<b>Work Time <math>\geq</math></b>	<b>20-25h (%15 of Light)</b> <b>2.5-3h (%100 of Light)</b>
<b>Charge Time</b>	<b>6-8h (sunshine)</b>
<b>Battery</b>	<b>1x2200mAh Lithium Battery</b>
<b>Body Color</b>	<b>Dark Gray</b>



Solar Lamp



Plastic spike included





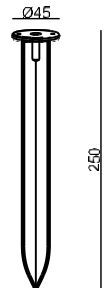
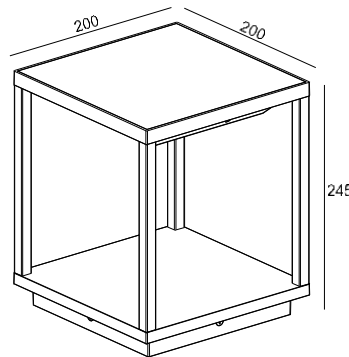
<b>Code</b>	<b>H197</b>
<b>Power (Watts)</b>	<b>0.65W (2W Solar Panel)</b>
<b>Color Temperature</b>	<b>3000K</b>
<b>Lumen</b>	<b>163lm</b>
<b>Beam Angle</b>	<b>35°</b>
<b>Body Material</b>	<b>Die-Cast Aluminum</b>
<b>IP Level</b>	<b>54</b>
<b>CRI <math>\geq</math></b>	<b>80</b>
<b>Work Time <math>\geq</math></b>	<b>12h</b>
<b>Charge Time</b>	<b>5-7h (sunshine)</b>
<b>Battery</b>	<b>2x2200mAh Lithium Battery</b>
<b>Body Color</b>	<b>Dark Gray</b>



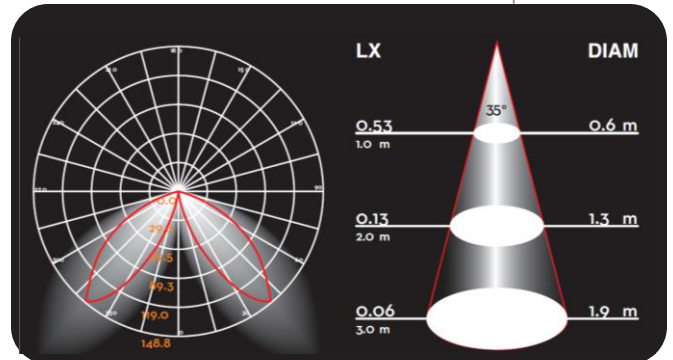
Solar Lamp



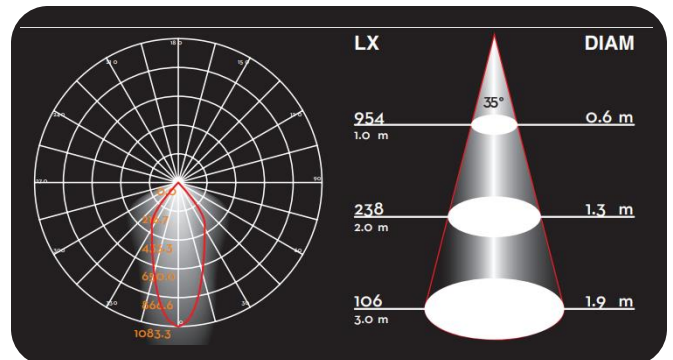
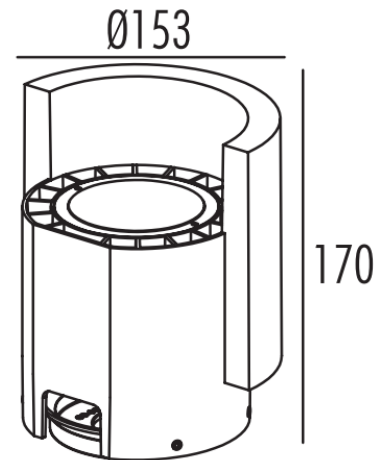
☀ Daylight sensor lux < 50  
Automatically light up at night



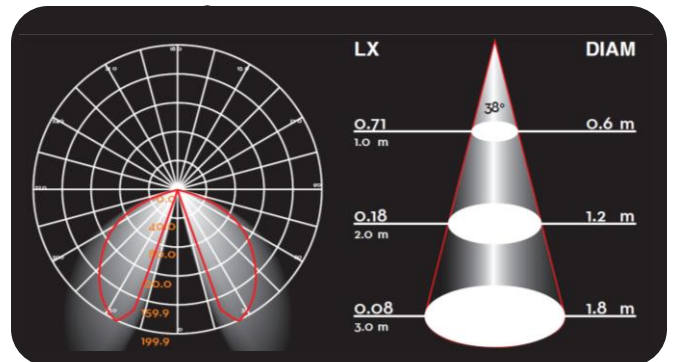
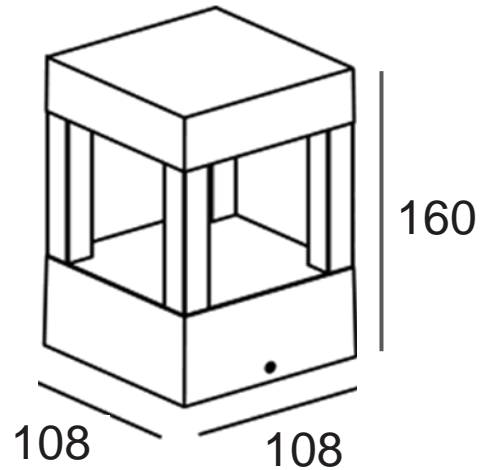
Plastic spike included



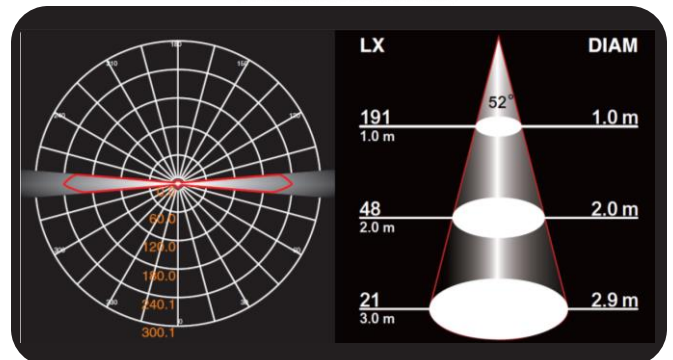
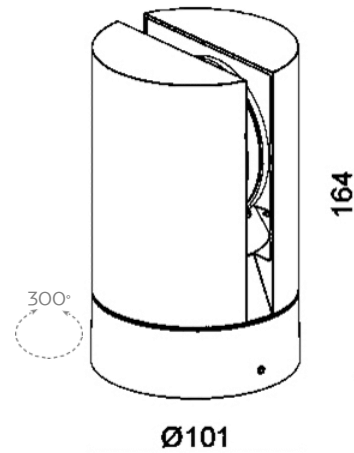
Code	H179
Power (Watts)	15W
Color Temperature	3000K
Lumen	551lm
Beam Angle	35°
CRI ≥	80
IP Level	65
Input Voltage	220-240V
Main Material	Die-Cast Aluminum
Body Color	Dark Gray



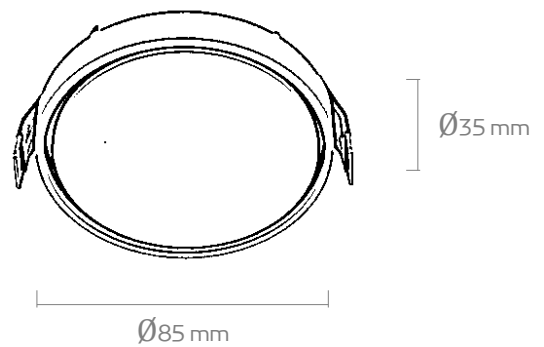
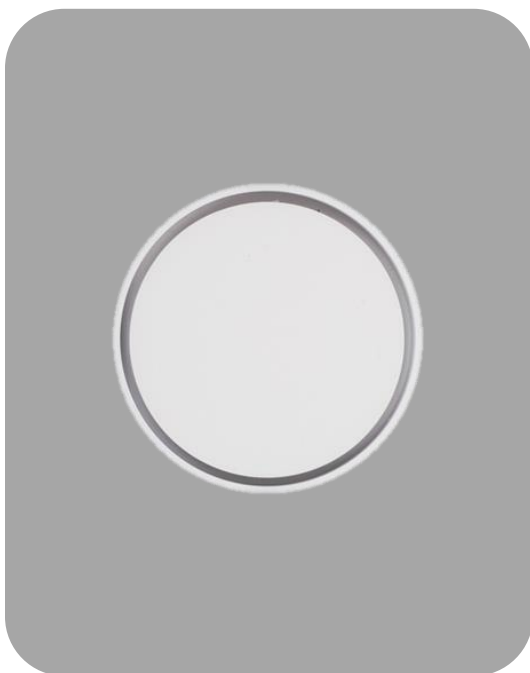
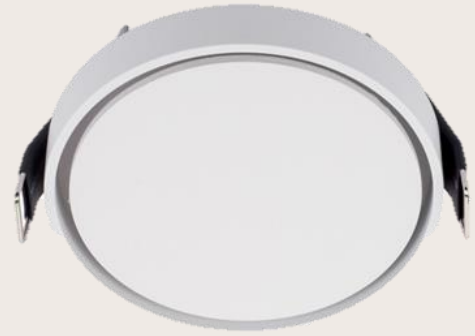
<b>Code</b>	<b>H112</b>
<b>Power (Watts)</b>	<b>7W</b>
<b>Color Temperature</b>	<b>3000K</b>
<b>Lumen</b>	<b>353lm</b>
<b>Beam Angle</b>	<b>36°</b>
<b>CRI ≥</b>	<b>80</b>
<b>IP Level</b>	<b>54</b>
<b>Input Voltage</b>	<b>220-240V</b>
<b>Main Material</b>	<b>Die-Cast Aluminum</b>
<b>Body Color</b>	<b>Dark Gray</b>



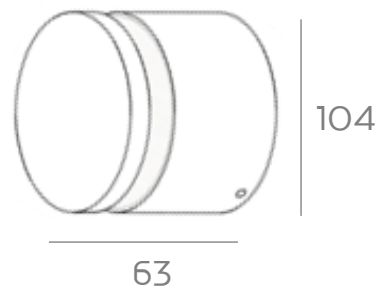
<b>Code</b>	<b>H203</b>
<b>Power (Watts)</b>	<b>5W</b>
<b>Color Temperature</b>	<b>3000K</b>
<b>Lumen</b>	<b>138lm</b>
<b>Beam Angle</b>	<b>52°</b>
<b>CRI ≥</b>	<b>80</b>
<b>IP Level</b>	<b>54</b>
<b>Input Voltage</b>	<b>220-240V</b>
<b>Main Material</b>	<b>Die-Cast Aluminum</b>
<b>Body Color</b>	<b>Black</b>



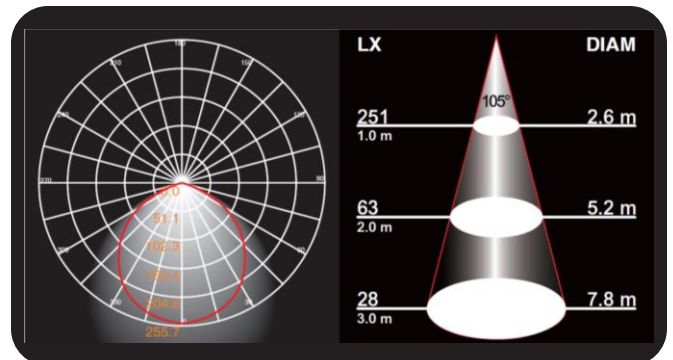
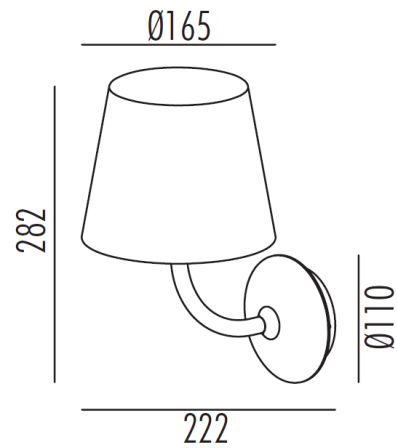
Code	LC39
Cut Out	Ø60 mm
Power(Watts)	6W
Lumen	540lm
Color Temperature	3000K
IP Level	65
Body Color	White



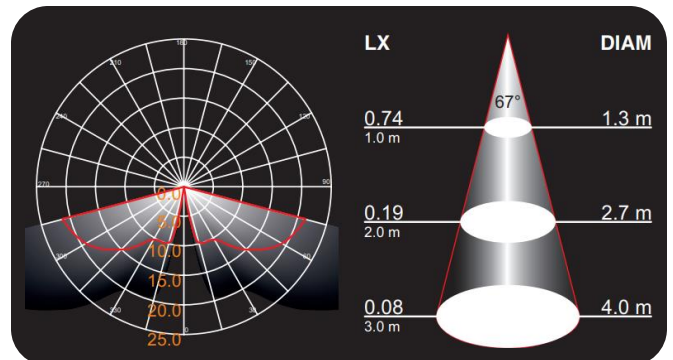
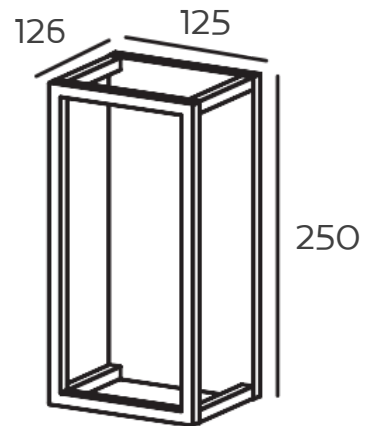
<b>Code</b>	LC161 (White) – LC162 (Black)
<b>Power (Watts)</b>	12W
<b>Color Temperature</b>	3000K
<b>Lumen</b>	66.34lm
<b>Light Source</b>	Teen LED
<b>CRI<math>\geq</math></b>	90
<b>IP Level</b>	65
<b>Input Voltage</b>	220V
<b>Main Material</b>	Die-Cast Aluminum
<b>Body Color</b>	White / Black



<b>Code</b>	H155 (Dark Gray) H156 (White)
<b>Power (Watts)</b>	7W
<b>Color Temperature</b>	3000K
<b>Lumen</b>	555lm
<b>Beam Angle</b>	105°
<b>CRI ≥</b>	80
<b>IP Level</b>	65
<b>Input Voltage</b>	220-240V
<b>Main Material</b>	Die-Cast Aluminum
<b>Body Color</b>	Dark Gray

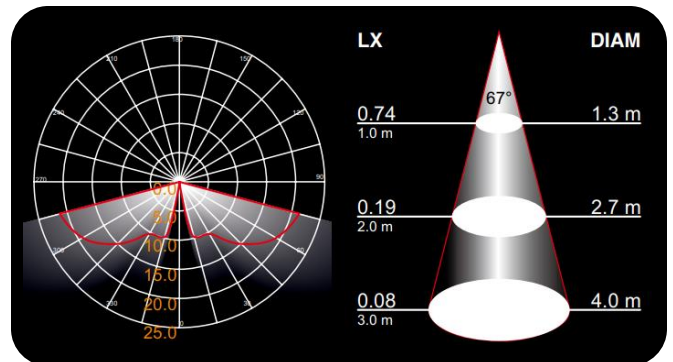
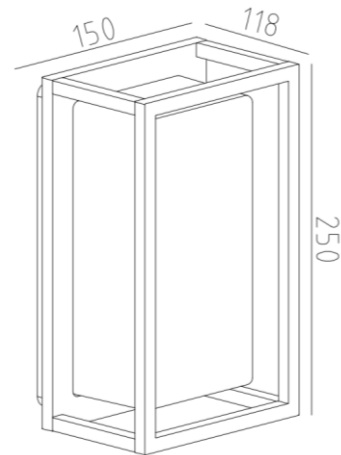


<b>Code</b>	<b>H164</b>
<b>Power (Watts)</b>	<b>7W</b>
<b>Color Temperature</b>	<b>3000K</b>
<b>Lumen</b>	<b>212lm</b>
<b>Beam Angle</b>	<b>67°</b>
<b>CRI ≥</b>	<b>80</b>
<b>IP Level</b>	<b>54</b>
<b>Input Voltage</b>	<b>220-240V</b>
<b>Main Material</b>	<b>Die-Cast Aluminum</b>
<b>Body Color</b>	<b>Dark Gray</b>

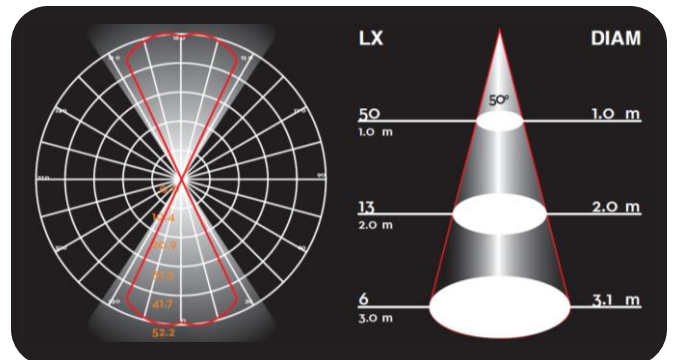
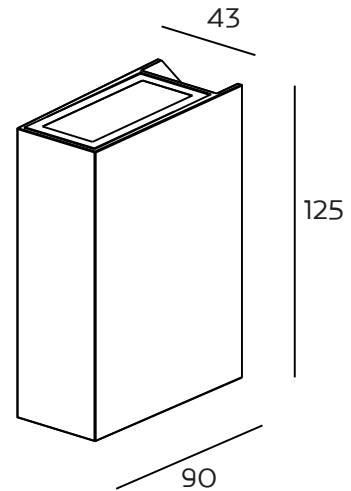




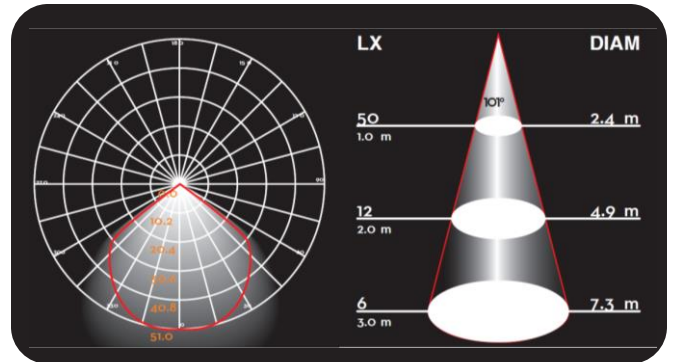
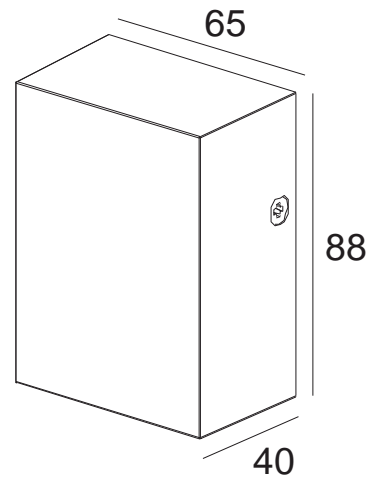
<b>Code</b>	<b>H214</b>
<b>Power (Watts)</b>	<b>7W</b>
<b>Color Temperature</b>	<b>3000K</b>
<b>Lumen</b>	<b>212lm</b>
<b>Beam Angle</b>	<b>67°</b>
<b>CRI ≥</b>	<b>80</b>
<b>IP Level</b>	<b>54</b>
<b>Input Voltage</b>	<b>220-240V</b>
<b>Main Material</b>	<b>Die-Cast Aluminum</b>
<b>Body Color</b>	<b>Dark Gray</b>



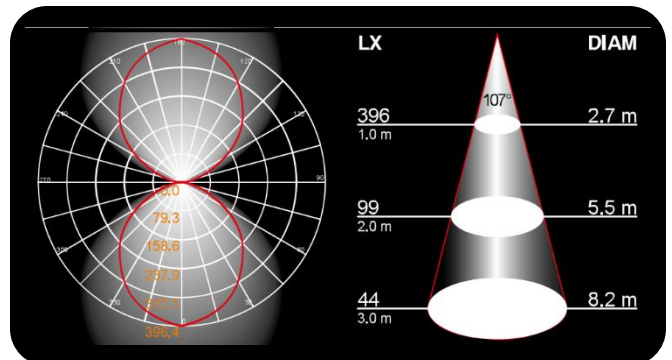
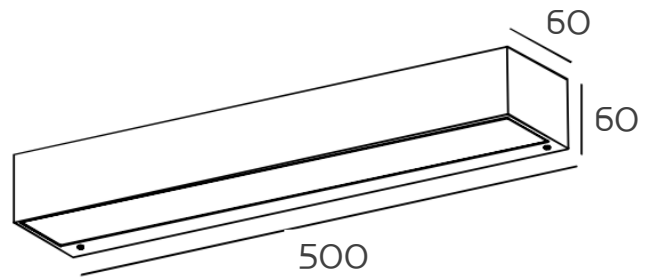
<b>Code</b>	<b>H116 (Dark Gray) / H216 (White)</b>
<b>Power (Watts)</b>	<b>2x4W (8W)</b>
<b>Color Temperature</b>	<b>3000K</b>
<b>Lumen</b>	<b>320lm</b>
<b>Beam Angle</b>	<b>50°</b>
<b>CRI ≥</b>	<b>80</b>
<b>IP Level</b>	<b>54</b>
<b>Input Voltage</b>	<b>220-240V</b>
<b>Main Material</b>	<b>Die-Cast Aluminum</b>
<b>Body Color</b>	<b>Dark Gray</b>



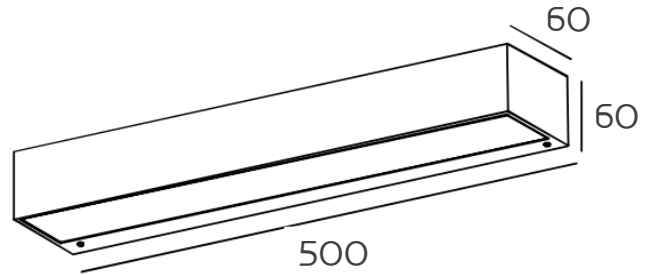
<b>Code</b>	H130 (Dark Gray) H130-1 (White)
<b>Power (Watts)</b>	3W
<b>Color Temperature</b>	3000K
<b>Lumen</b>	85lm
<b>Beam Angle</b>	101°
<b>CRI ≥</b>	80
<b>IP Level</b>	54
<b>Input Voltage</b>	220-240V
<b>Main Material</b>	Die-Cast Aluminum
<b>Body Color</b>	White



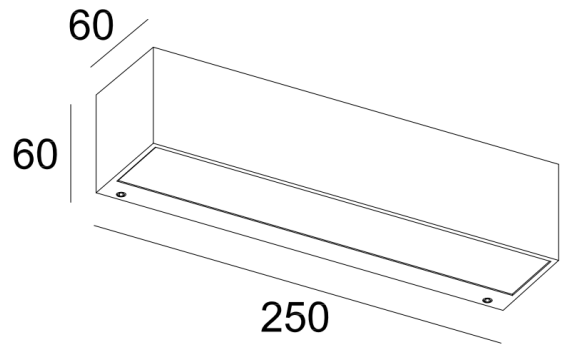
<b>Code</b>	<b>H131</b>
<b>Power (Watts)</b>	<b>20W</b>
<b>Color Temperature</b>	<b>3000K</b>
<b>Lumen</b>	<b>1517lm</b>
<b>Beam Angle</b>	<b>107°</b>
<b>CRI ≥</b>	<b>80</b>
<b>IP Level</b>	<b>65</b>
<b>Input Voltage</b>	<b>220-240V</b>
<b>Main Material</b>	<b>Die-Cast Aluminum</b>
<b>Body Color</b>	<b>Dark Gray</b>



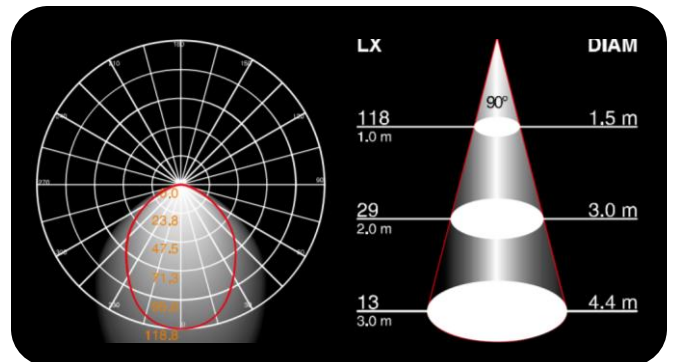
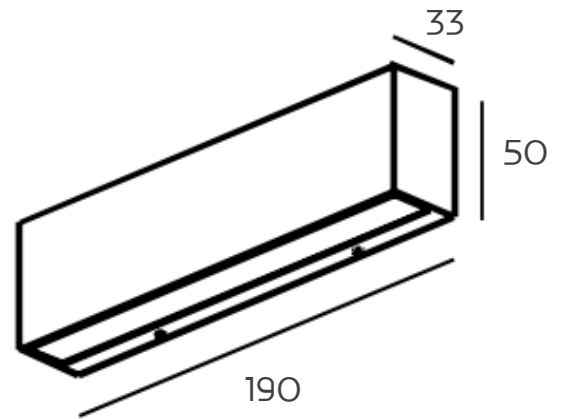
<b>Code</b>	<b>H131-1</b>
<b>Power (Watts)</b>	<b>15W</b>
<b>Color Temperature</b>	<b>3000K</b>
<b>Lumen</b>	<b>1263lm</b>
<b>Beam Angle</b>	<b>107°</b>
<b>CRI<math>\geq</math></b>	<b>80</b>
<b>IP Level</b>	<b>65</b>
<b>Input Voltage</b>	<b>220-240V</b>
<b>Main Material</b>	<b>Die-Cast Aluminum</b>
<b>Body Color</b>	<b>Dark Gray</b>



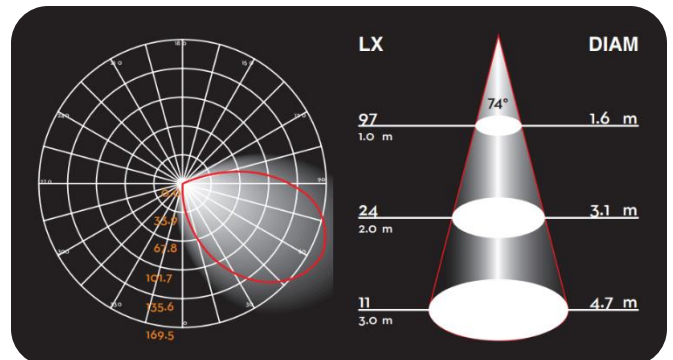
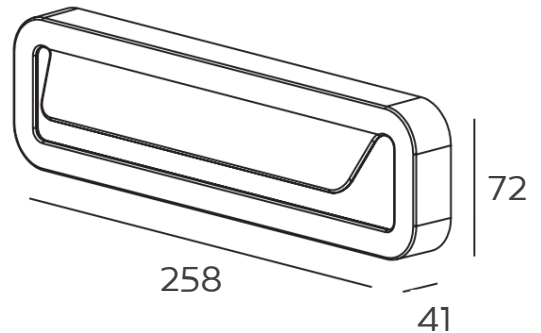
<b>Code</b>	<b>H215</b>
<b>Power (Watts)</b>	<b>15W</b>
<b>Color Temperature</b>	<b>3000K</b>
<b>Lumen</b>	<b>1140lm</b>
<b>Beam Angle</b>	<b>110°</b>
<b>CRI<math>\geq</math></b>	<b>80</b>
<b>IP Level</b>	<b>65</b>
<b>Input Voltage</b>	<b>220-240V</b>
<b>Main Material</b>	<b>Die-Cast Aluminum</b>
<b>Body Color</b>	<b>Dark Gray</b>



<b>Code</b>	<b>H165</b>
<b>Power (Watts)</b>	<b>4W</b>
<b>Color Temperature</b>	<b>3000K</b>
<b>Lumen</b>	<b>300lm</b>
<b>Beam Angle</b>	<b>90°</b>
<b>CRI ≥</b>	<b>80</b>
<b>IP Level</b>	<b>65</b>
<b>Input Voltage</b>	<b>220-240V</b>
<b>Main Material</b>	<b>Die-Cast Aluminum</b>
<b>Body Color</b>	<b>Dark Gray</b>

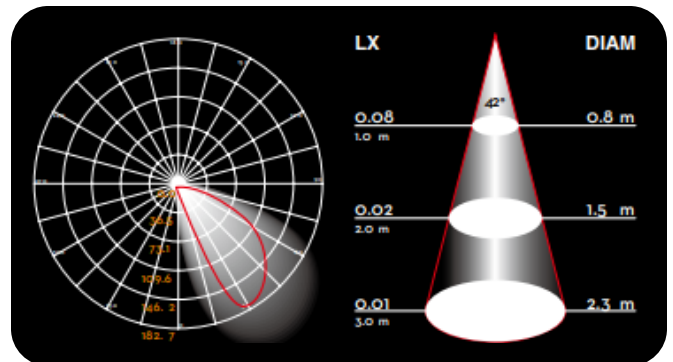
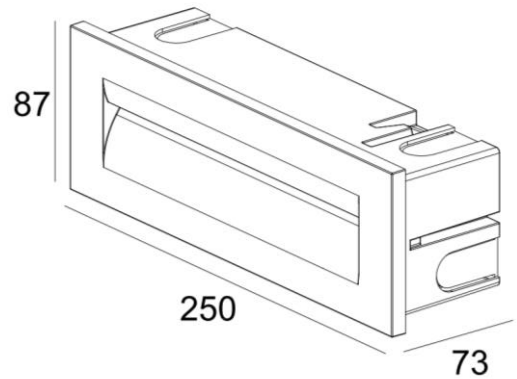
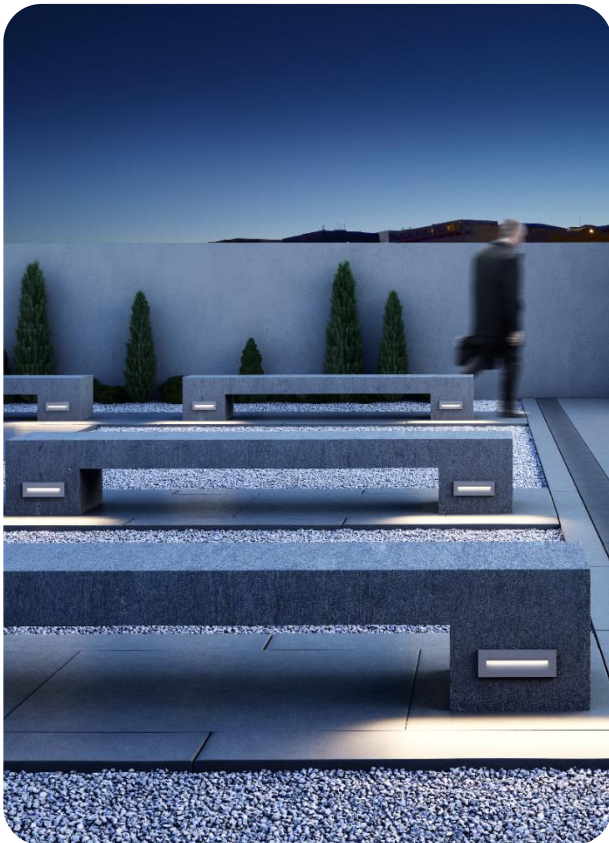
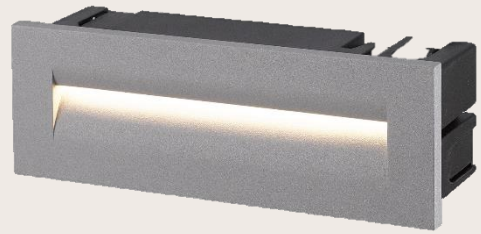


<b>Code</b>	<b>H205</b>
<b>Power (Watts)</b>	<b>28x0.54W (15W)</b>
<b>Color Temperature</b>	<b>3000K</b>
<b>Lumen</b>	<b>436lm</b>
<b>Beam Angle</b>	<b>74°</b>
<b>CRI ≥</b>	<b>80</b>
<b>IP Level</b>	<b>65</b>
<b>Input Voltage</b>	<b>220-240V</b>
<b>Main Material</b>	<b>Die-Cast Aluminum</b>
<b>Body Color</b>	<b>Dark Gray</b>

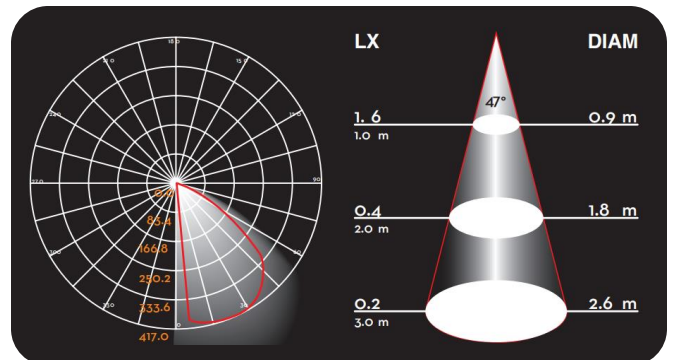
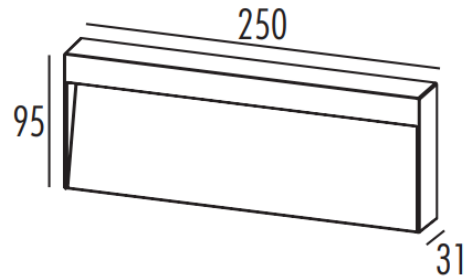
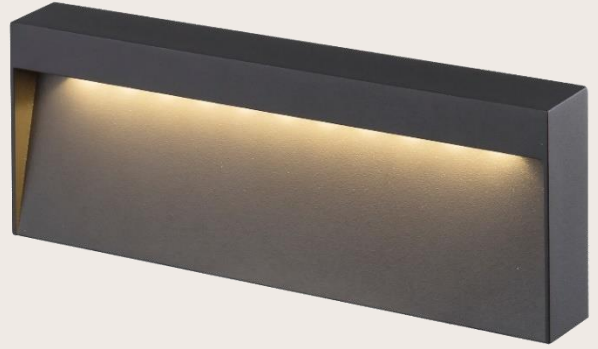




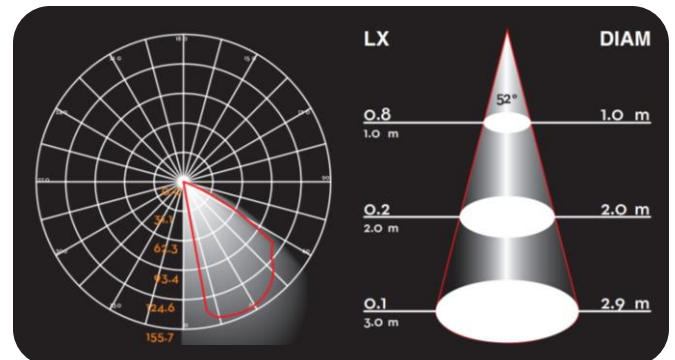
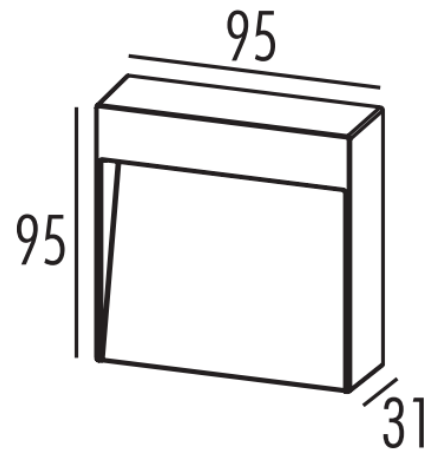
<b>Code</b>	H210 (Black) / H211 (White)
<b>Power (Watts)</b>	8.5W
<b>Color Temperature</b>	3000K
<b>Lumen</b>	190lm
<b>Beam Angle</b>	42°
<b>CRI</b>	80
<b>IP Level</b>	65
<b>Input Voltage</b>	220-240V
<b>Main Material</b>	Die-Cast Aluminum
<b>Body Color</b>	Black / White



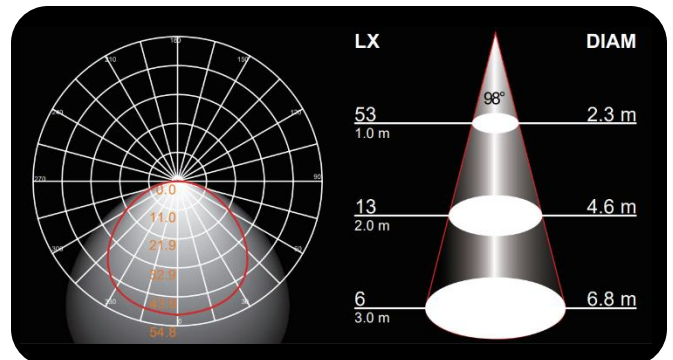
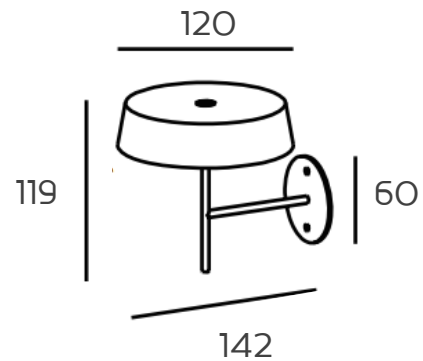
<b>Code</b>	H204 (Dark Gray) / H212 (White)
<b>Power (Watts)</b>	9W
<b>Color Temperature</b>	3000K
<b>Lumen</b>	487lm
<b>Beam Angle</b>	47°
<b>CRI</b>	80
<b>IP Level</b>	65
<b>Input Voltage</b>	220-240V
<b>Main Material</b>	Die-Cast Aluminum
<b>Body Color</b>	Dark Gray



<b>Code</b>	H169 (Dark Gray) / H213 (White)
<b>Power (Watts)</b>	3W
<b>Color Temperature</b>	3000K
<b>Lumen</b>	185lm
<b>Beam Angle</b>	52°
<b>CRI</b>	80
<b>IP Level</b>	65
<b>Input Voltage</b>	220-240V
<b>Main Material</b>	Die-Cast Aluminum
<b>Body Color</b>	Dark Gray



<b>Code</b>	<b>H196</b>
<b>Power (Watts)</b>	<b>2.2W</b>
<b>Color Temperature</b>	<b>3000K</b>
<b>Lumen</b>	<b>195lm</b>
<b>Beam Angle</b>	<b>98°</b>
<b>CRI ≥</b>	<b>85</b>
<b>IP Level</b>	<b>54</b>
<b>Work Time</b>	<b>12h</b>
<b>Charge Time</b>	<b>5-7h</b>
<b>Battery</b>	<b>2x2200mAh Lithium Battery</b>
<b>Main Material</b>	<b>Die-Cast Aluminum</b>
<b>Body Color</b>	<b>Shining Black</b>



<b>Code</b>	<b>H 199</b>
<b>Power (Watts)</b>	<b>2.2W</b>
<b>Color Temperature</b>	<b>3000K</b>
<b>Body Material</b>	<b>Die-Cast Aluminum</b>
<b>IP Level</b>	<b>54</b>
<b>CRI <math>\geq</math></b>	<b>85</b>
<b>Work Time</b>	<b>12h</b>
<b>Charge Time</b>	<b>6-8h</b>
<b>Battery</b>	<b>2x2200mAh Lithium Battery</b>
<b>Dimmable</b>	<b>Touch Switch</b>
<b>Body Color</b>	<b>Black</b>



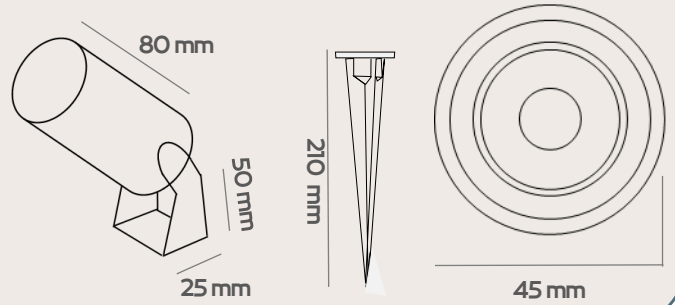
<b>Code</b>	<b>H200</b>
<b>Power (Watts)</b>	<b>2.2W</b>
<b>Color Temperature</b>	<b>3000K</b>
<b>Body Material</b>	<b>Die-Cast Aluminum</b>
<b>IP Level</b>	<b>54</b>
<b>CRI <math>\geq</math></b>	<b>84</b>
<b>Work Time</b>	<b>12h</b>
<b>Charge Time</b>	<b>5-8h</b>
<b>Battery</b>	<b>2x2200mAh Lithium Battery</b>
<b>Dimmable</b>	<b>Touch Switch</b>
<b>Body Color</b>	<b>Black</b>



<b>Code</b>	<b>H194</b>
<b>Power (Watts)</b>	<b>4.5W</b>
<b>Color Temperature</b>	<b>3000K</b>
<b>Body Material</b>	<b>Die-Cast Aluminum</b>
<b>IP Level</b>	<b>54</b>
<b>CRI <math>\geq</math></b>	<b>83</b>
<b>Work Time</b>	<b>18-20h</b>
<b>Charge Time</b>	<b>15h</b>
<b>Battery</b>	<b>6x2200mAh Lithium Battery</b>
<b>Dimmable</b>	<b>Touch Switch</b>
<b>Body Color</b>	<b>Black</b>

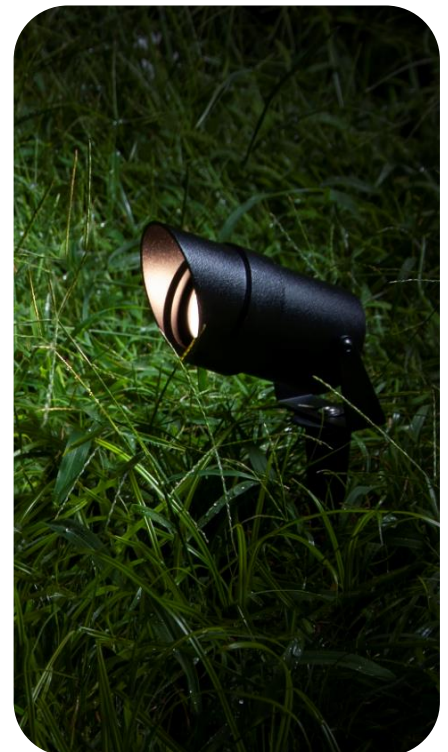
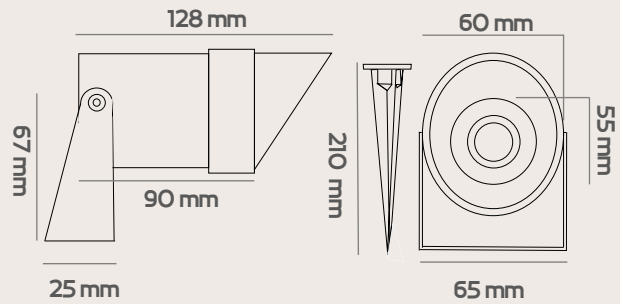


<b>Code</b>	<b>N1015</b>
<b>Power (Watts)</b>	<b>5W</b>
<b>Color Temperature</b>	<b>3000K</b>
<b>Lumen</b>	<b>650lm</b>
<b>Beam Angle</b>	<b>7°</b>
<b>CRI ≥</b>	<b>90</b>
<b>IP Level</b>	<b>65</b>
<b>Light Source</b>	<b>CREE</b>
<b>Main Material</b>	<b>Aluminum</b>
<b>Body Color</b>	<b>Black / White</b>

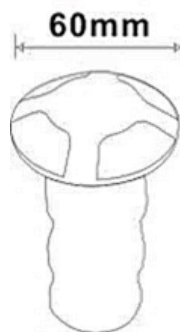




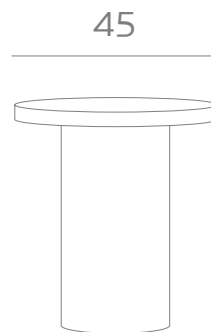
<b>Code</b>	<b>N1010</b>
<b>Power (Watts)</b>	<b>6W</b>
<b>Color Temperature</b>	<b>3000K</b>
<b>Lumen</b>	<b>600lm</b>
<b>Beam Angle</b>	<b>35°</b>
<b>CRI ≥</b>	<b>80</b>
<b>IP Level</b>	<b>65</b>
<b>Light Source</b>	<b>San'an</b>
<b>Main Material</b>	<b>Aluminum</b>
<b>Body Color</b>	<b>Black / White</b>



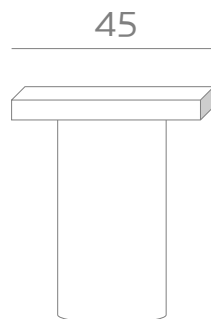
<b>Code</b>	<b>GD05-2 / GD05-3/GD05-4</b>
<b>Power (Watts)</b>	<b>3W</b>
<b>Color Temperature</b>	<b>3000K</b>
<b>Lumen</b>	<b>300lm</b>
<b>Cut Out</b>	<b>40mm</b>
<b>CRI ≥</b>	<b>80</b>
<b>IP Level</b>	<b>65</b>
<b>Light Source</b>	<b>COB</b>
<b>Input Voltage</b>	<b>220V</b>
<b>Main Material</b>	<b>Steel</b>
<b>Body Color</b>	<b>Silver</b>



<b>Code</b>	<b>GDO2R / GDO2S</b>
<b>Power (Watts)</b>	<b>3W</b>
<b>Color Temperature</b>	<b>3000K</b>
<b>Lumen</b>	<b>300lm</b>
<b>Cut Out</b>	<b>40mm</b>
<b>CRI ≥</b>	<b>80</b>
<b>IP Level</b>	<b>65</b>
<b>Light Source</b>	<b>COB</b>
<b>Input Voltage</b>	<b>220V</b>
<b>Main Material</b>	<b>Steel</b>
<b>Body Color</b>	<b>Silver</b>



75



75



Note. ....

.....

.....

.....

.....

.....

.....

.....

.....

.....

.....

.....

.....

.....

.....

.....

.....

.....

.....

.....

.....

.....

.....

.....

.....

.....

.....

.....





نوران  
NOORAN