

Surface-Mounted Light



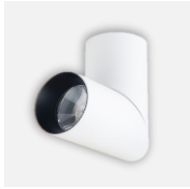
نوران

NOORAN

Content



Page 4



Page 5



Page 6



Page 7



Page 8



Page 9



Page 10



Page 11



Page 12



Page 13



Page 14



Page 15



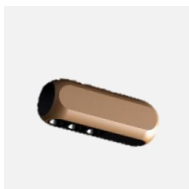
Page 16



Page 17



Page 18



Page 19



Page 20



Page 21

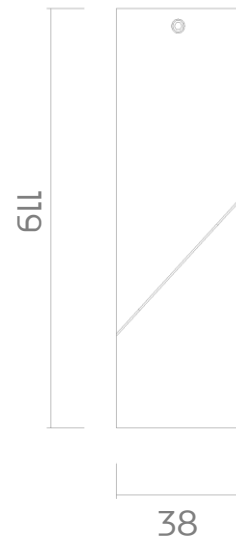
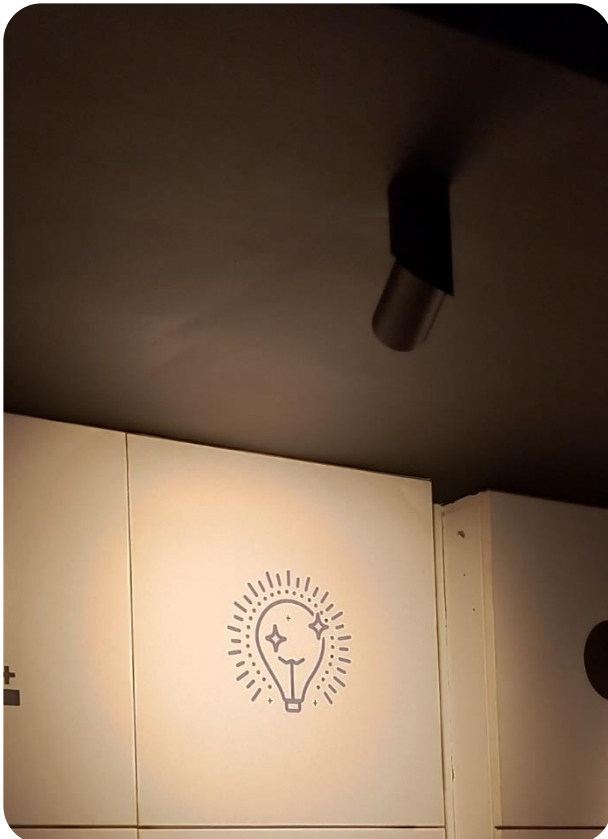
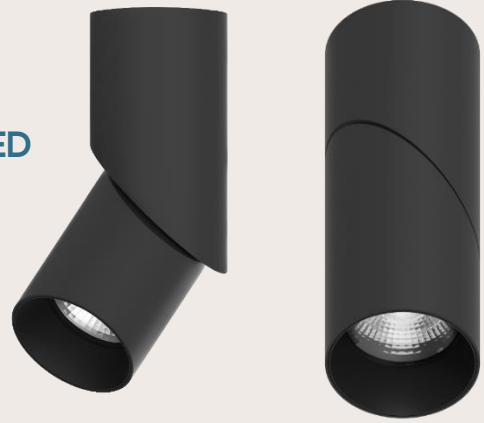


Page 22

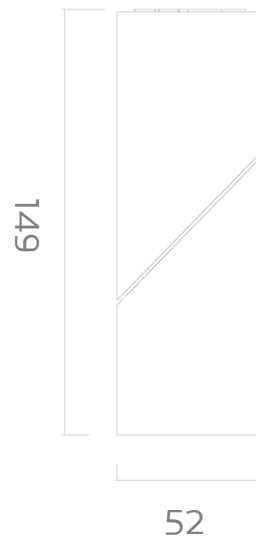


Page 23

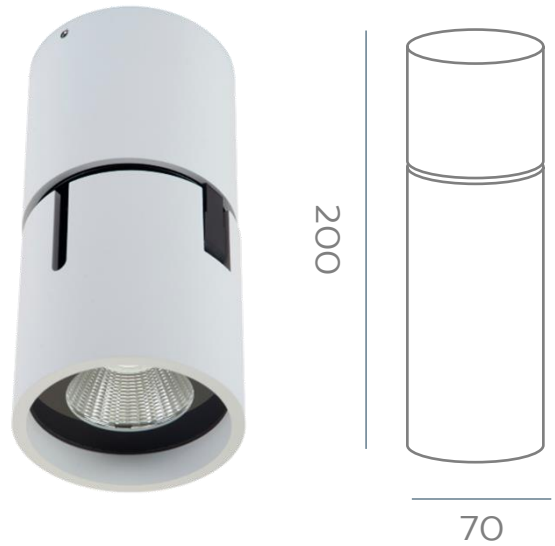
Code	T120 (BLK) / T121 (WHT)
Power (Watts)	5W
Color Temperature	3000K
Lumen	361.31lm
Beam Angle	36°
Light Source	CREE CXA1304 LED
IP Level	20
Main Material	Aluminum
Body Color	Black / White



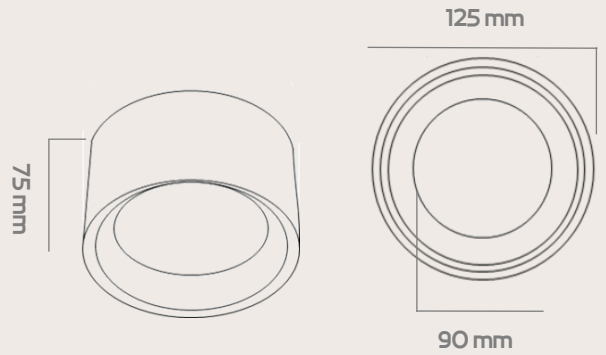
Code	T122 (BLK) / T123 (WHT)
Power (Watts)	9W
Color Temperature	3000K
Lumen	603.11lm
Beam Angle	30°
Light Source	CREE CXA1507 LED
IP Level	20
Main Material	Aluminum
Body Color	Black / White



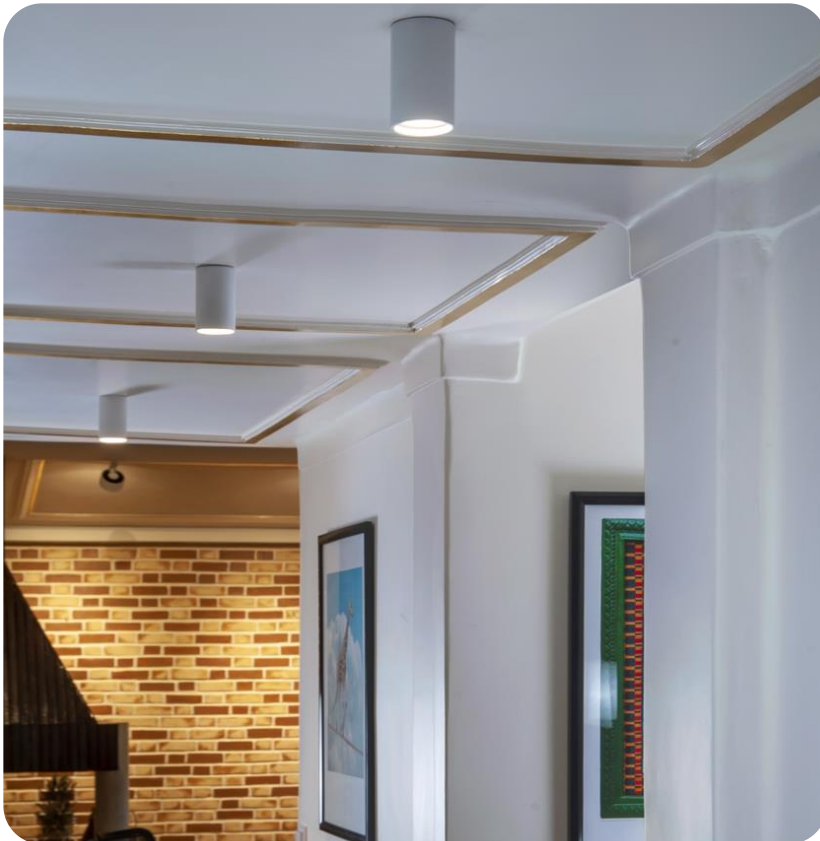
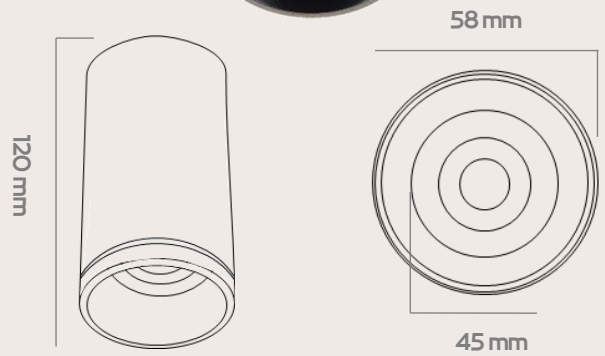
Code	LC156 (BLK) (Dimmable)
Power (Watts)	7W
Color Temperature	3000K
Light Source	Lumileds LED
IP Level	20
Main Material	Aluminum
Body Color	Black



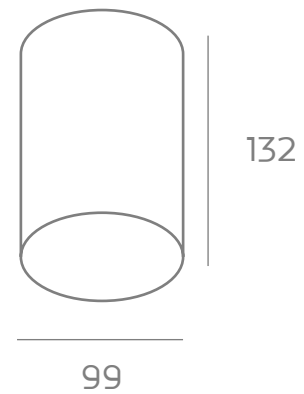
Code	N1007
Input Voltage	230V
Power(Watts)	12W
Lumen	900lm
Lamp Holder	Aluminum PCB
Light Source	TD Lighting
Color Temperature	3000K . 4000K
CRI \geq	80
IP Level	20
Main Material	Aluminum
Body Color	Black / White
Dimmable	Optional



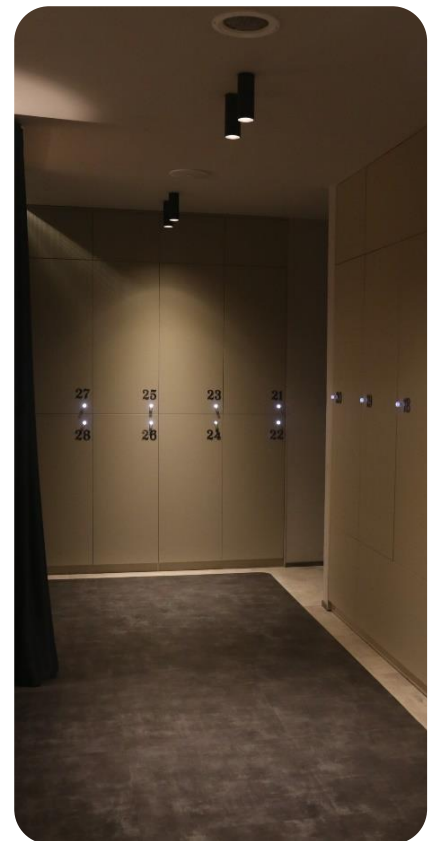
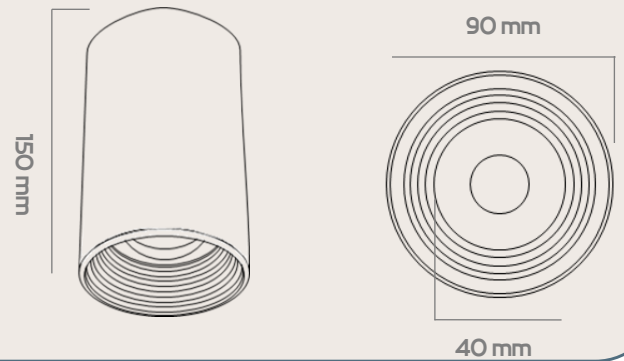
Code	N1006
Base	GU10
Power(Watts)	6W
Lumen	600lm
Lamp Holder	Ceramic
Light Source	San'an
Beam Angle	35°
Color Temperature	3000K
CRI \geq	80
IP Level	20
Main Material	Aluminum
Body Color	Black/ White



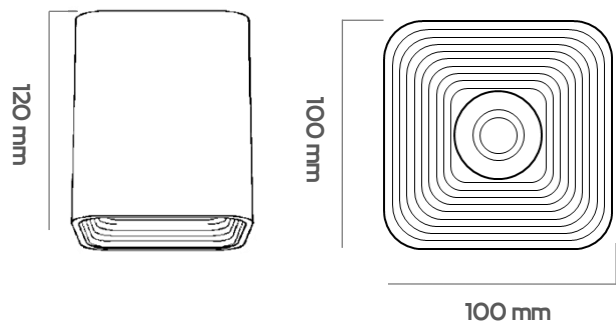
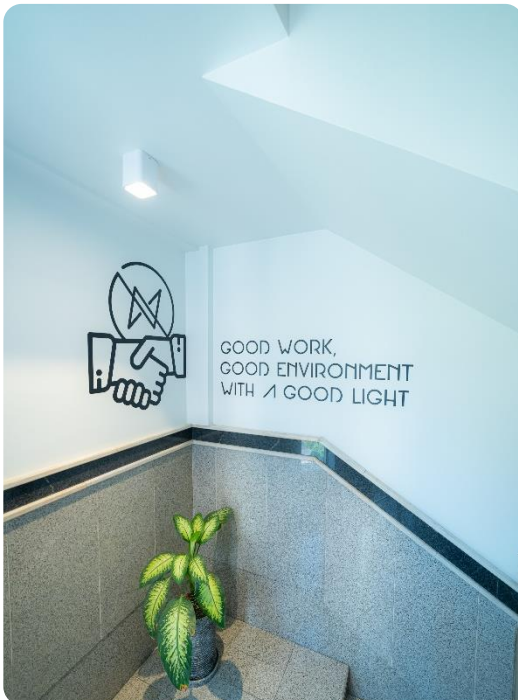
Code	T110 (BLK) / T111 (WHT)
Power (Watts)	10.7W
Color Temperature	3000K
Beam Angle	30°
Light Source	CREE CXA1512 LED
Lumen	1261lm
IP Level	20
Main Material	Aluminum
Body Color	Black / White



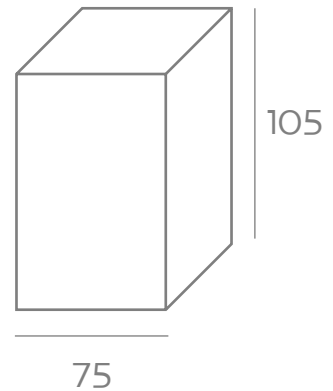
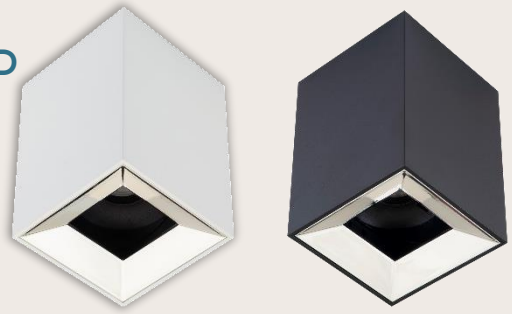
Code	N1012-150
Base	GU10
Power(Watts)	6W
Lumen	600lm
Lamp Holder	Ceramic
Light Source	San'an
Beam Angle	35°
Color Temperature	3000K
CRI \geq	80
IP Level	20
Main Material	Aluminum
Reflector Color	Black / White
Body Color	Black / White



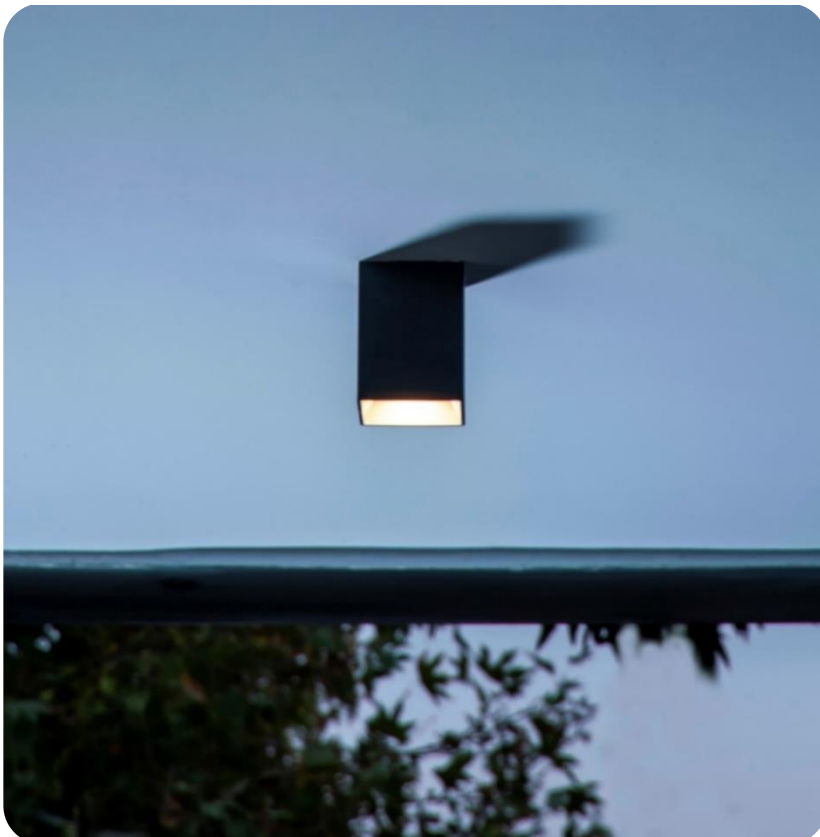
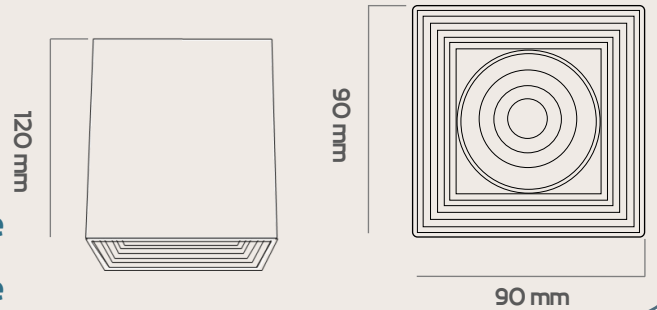
Code	N1004
Input Voltage	230V
Power(Watts)	13.6W
Lumen	1105.8lm
Lamp Holder	Poly Carbonate
Light Source	COB Philips - 1203
Beam Angle	38°, 54°
Color Temperature	3000K . 4000K
CRI \geq	90
IP Level	20
Main Material	Aluminum
Reflector Color	Black / White
Body Color	Black / White



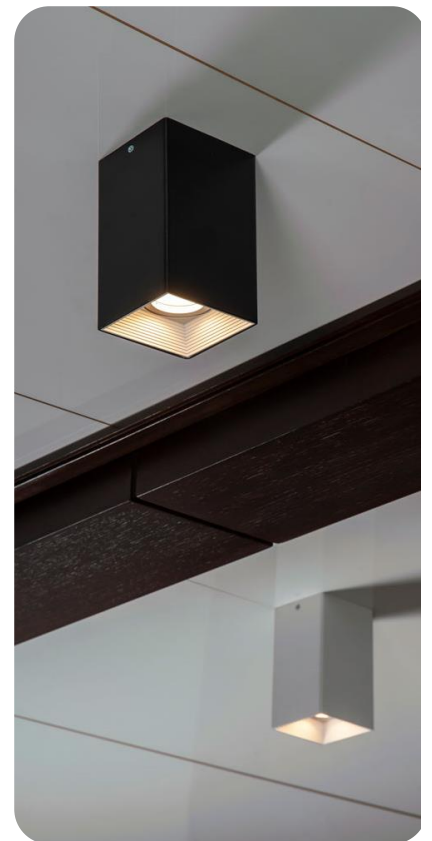
Code	T112 (BLK) / T113 (WHT)
Power (Watts)	5W
Color Temperature	3000K
Beam Angle	36°
Light Source	CREE CXA1304 LED
IP Level	20
Main Material	Aluminum
Body Color	Black / White



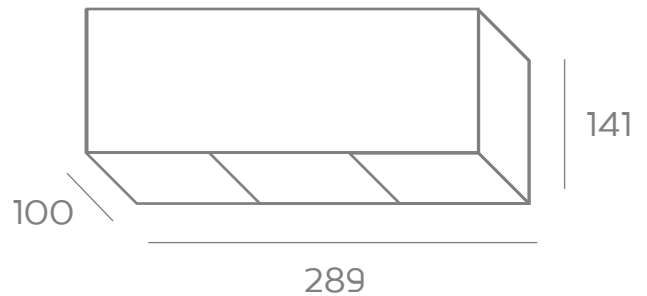
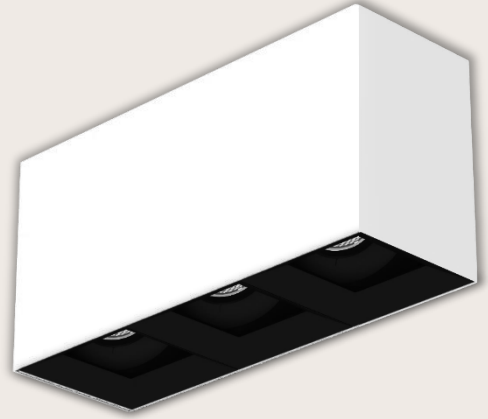
Code	N1005-120
Base	GU10
Power(Watts)	6W
Lumen	600lm
Lamp Holder	Ceramic
Light Source	San'an
Beam Angle	35°
Color Temperature	3000K
CRI \geq	80
IP Level	20
Main Material	Aluminum
Reflector Color	Black / White
Body Color	Black / White



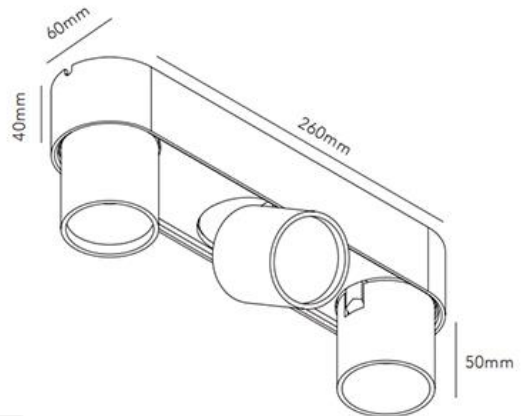
Code	N1005-180
Base	GU10
Power(Watts)	6W
Lumen	600lm
Lamp Holder	Ceramic
Light Source	San'an
Beam Angle	35°
Color Temperature	3000K
CRI \geq	80
IP Level	20
Main Material	Aluminum
Reflector Color	Black / White
Body Color	Black / White



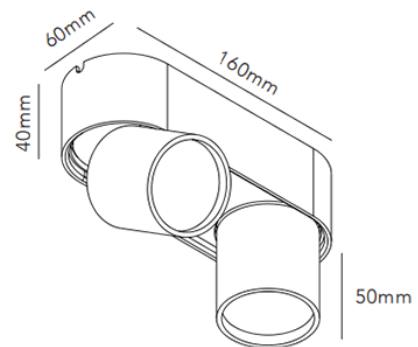
Code	T115 (WHT)
Power (Watts)	3x10.7W (32W)
Color Temperature	3000K
Beam Angle	30°
Light Source	CREE CXA1512 LED
Lumen	2522
IP Level	20
Main Material	Aluminum
Body Color	White



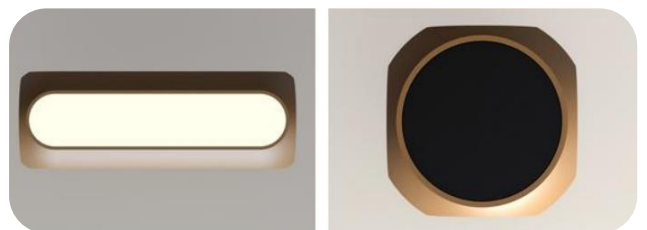
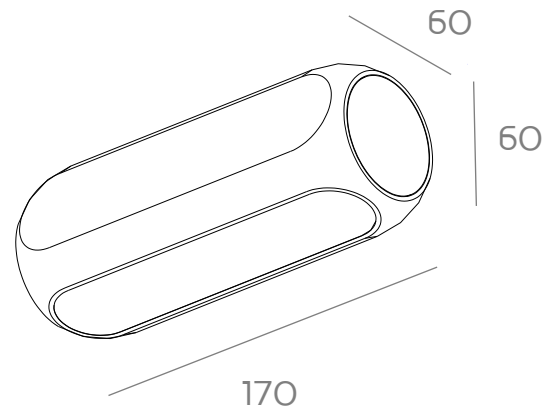
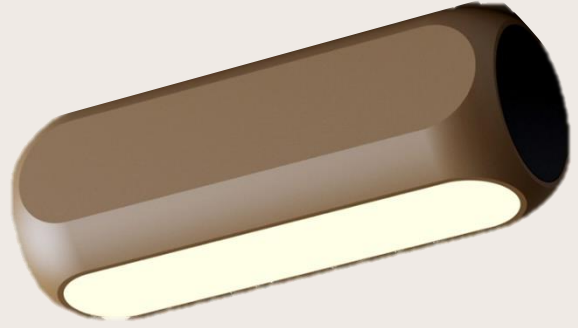
Code	LC158 (WHT) / LC159 (BLK) / LC160 (GLD)
Power (Watts)	3x7W (21W)
Color Temperature	2700K to 3000K (CCT Dim)
Lumen	1181lm
Beam Angle	22°
CRI ≥	90
Light Source	TEEN LED
IP Level	20
Input Voltage	220V
Main Material	Die-Cast Aluminum
Body Color	Black / White / Gold



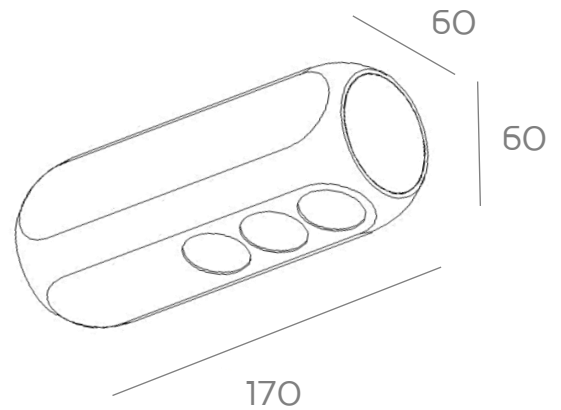
Code	LC157
Power (Watts)	2x7W (14W)
Color Temperature	2700K to 3000K (CCT Dim)
Lumen	853lm
Beam Angle	°
CRI_≥	90
Light Source	TEEN LED
IP Level	20
Input Voltage	220V
Main Material	Die-Cast Aluminum
Body Color	Gold



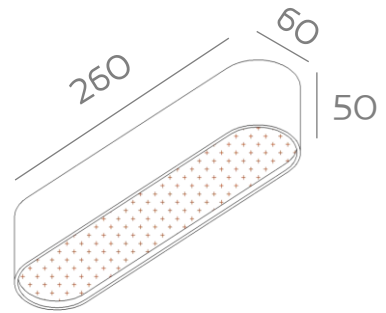
Code	LC167
Power (Watts)	15.5W
Color Temperature	3000K
Lumen	1209lm
Beam Angle	112°
CRI ≥	90
Light Source	Edison LED
IP Level	20
Input Voltage	220V
Main Material	Aluminum
Body Color	Silver Coffee + Black



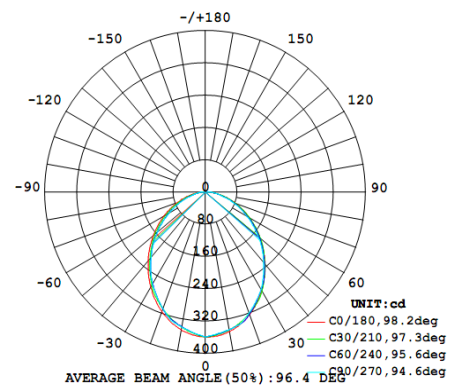
Code	LC168
Power (Watts)	15.5W
Color Temperature	3000K
Lumen	1209lm
Beam Angle	35.7°
CRI\geq	90
Light Source	Teen LED
IP Level	20
Input Voltage	220V
Main Material	Aluminum
Body Color	Silver Coffee + Black



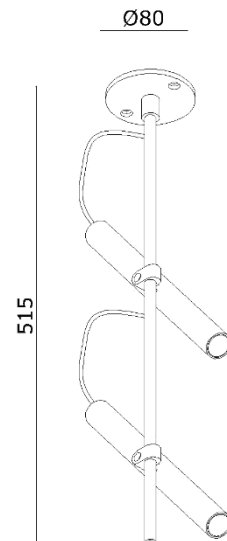
Code	LC135
Power (Watts)	10.5W
Color Temperature	3000K
Lumen	855lm
Light Source	EDS LED
CRI \geq	90
IP Level	20
Main Material	Aluminum + Acrylic + Iron
Body Color	White



LUMINOUS INTENSITY DISTRIBUTION DIAGRAM

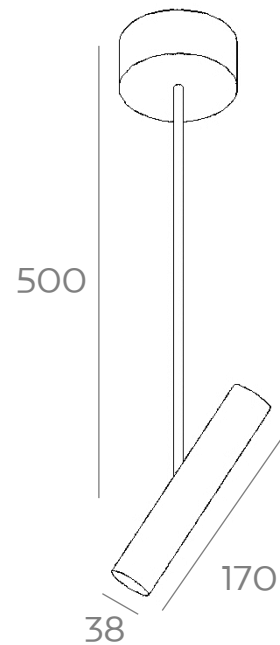
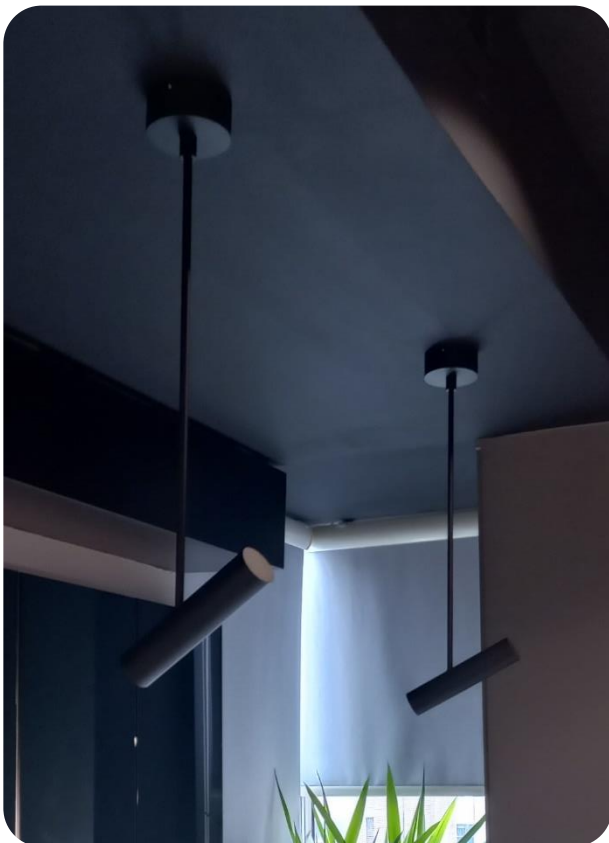
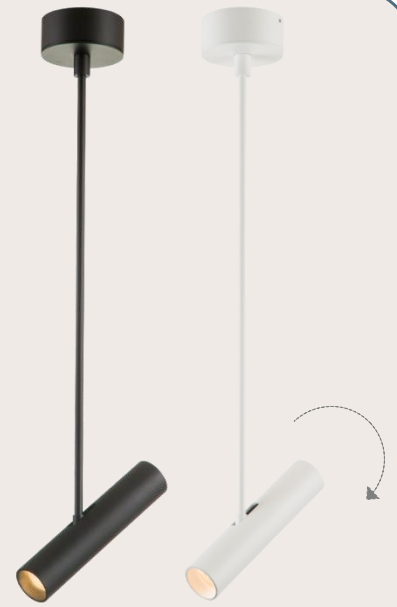


Code	LC126
Power (Watts)	2x5W (10W)
Color Temperature	3000K
Light Source	TEEN LED
CRI \geq	90
IP Level	20
Main Material	Aluminum
Body Color	Black

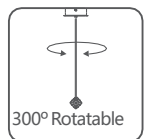
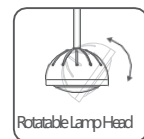
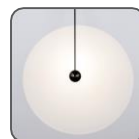
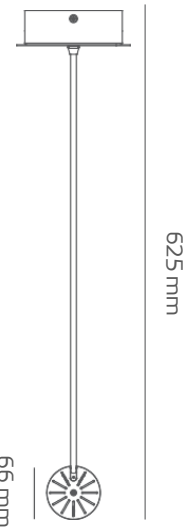


Surface-Mounted Luminaires

Code	LC116 (WHT) / LC117 (BLK)
Power (Watts)	7W
Color Temperature	3000K
Light Source	Bridgelux LED
CRI \geq	90
IP Level	20
Main Material	Aluminum
Body Color	White / Black



Code	C211
Input Voltage	100-130V
Power(Watts)	5W
Lumen	420lm
Color Temperature	3000K
CRI \geq	90
IP Level	20
Main Material	Aluminum
Body Color	Black





نوران
NOORAN