

Wall-mounted Light



نوران

NOORAN

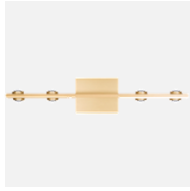


# Content

---



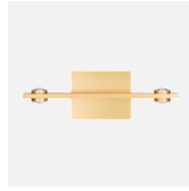
Page 4



Page 5



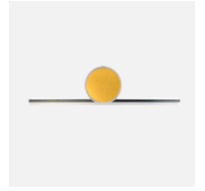
Page 6



Page 7



Page 8



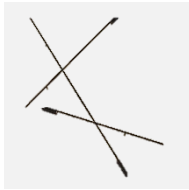
Page 9



Page 10



Page 11



Page 12



Page 13



Page 14



Page 15



Page 16



Page 17



Page 18



Page 19



Page 20



Page 21



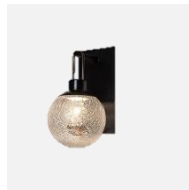
Page 22



Page 23



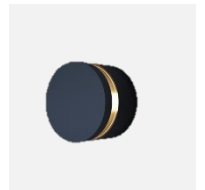
Page 24



Page 25



Page 26



Page 27



Page 28



Page 29



Page 30



Page 31



Page 32



Page 33



Page 35



Page 36



Page 37



Page 38



Page 39



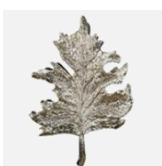
Page 40



Page 41

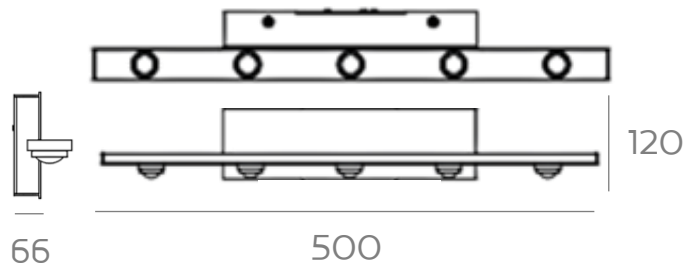


Page 42



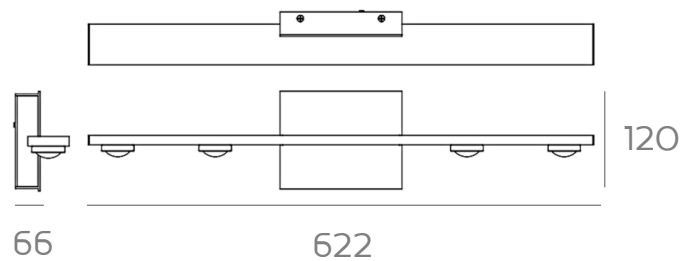
Page 43

<b>Code</b>	<b>C172-1</b>
<b>Power (Watts)</b>	<b>5x1.3W (6.5W)</b>
<b>Color Temperature</b>	<b>3000K</b>
<b>Lumen</b>	<b>650lm</b>
<b>LED Rated Life</b>	<b>50000h</b>
<b>CRI<math>\geq</math></b>	<b>90</b>
<b>IP Level</b>	<b>20</b>
<b>Main Material</b>	<b>Aluminum</b>
<b>Body Color</b>	<b>Gold</b>

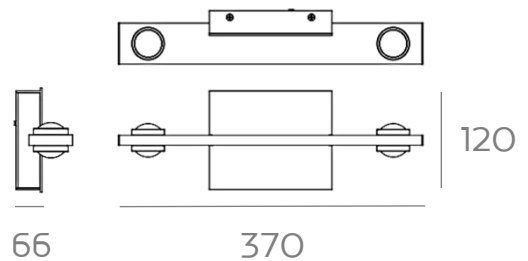




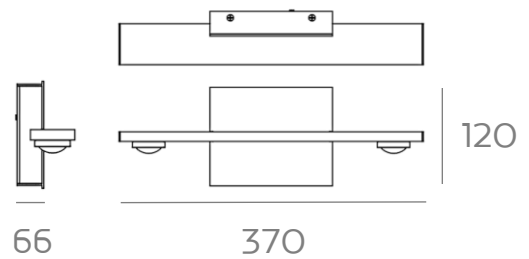
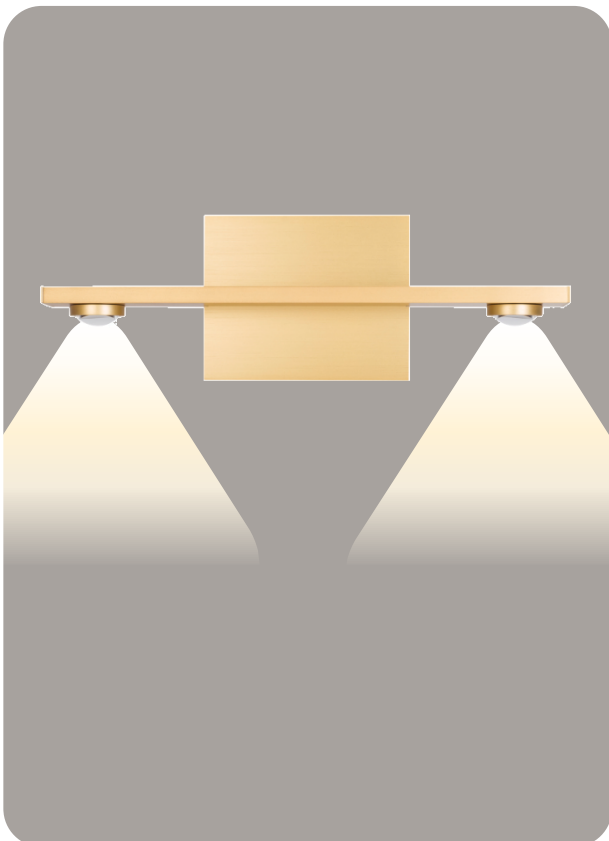
<b>Code</b>	<b>C220 (BLK) / C261 (GOLD)</b>
<b>Power (Watts)</b>	<b>4x2.75W (11W)</b>
<b>Color Temperature</b>	<b>3000K</b>
<b>Lumen</b>	<b>840lm</b>
<b>LED Rated Life</b>	<b>50000h</b>
<b>CRI<math>\geq</math></b>	<b>90</b>
<b>IP Level</b>	<b>20</b>
<b>Voltage</b>	<b>100-130V</b>
<b>Main Material</b>	<b>Aluminum</b>
<b>Body Color</b>	<b>Black / Gold</b>



<b>Code</b>	<b>C260 (GOLD)</b>
<b>Power (Watts)</b>	<b>4x2.75W (11W)</b>
<b>Color Temperature</b>	<b>3000K</b>
<b>Lumen</b>	<b>840lm</b>
<b>LED Rated Life</b>	<b>50000h</b>
<b>CRI<math>\geq</math></b>	<b>90</b>
<b>IP Level</b>	<b>20</b>
<b>Voltage</b>	<b>100-130V</b>
<b>Main Material</b>	<b>Aluminum</b>
<b>Body Color</b>	<b>Black / Gold</b>

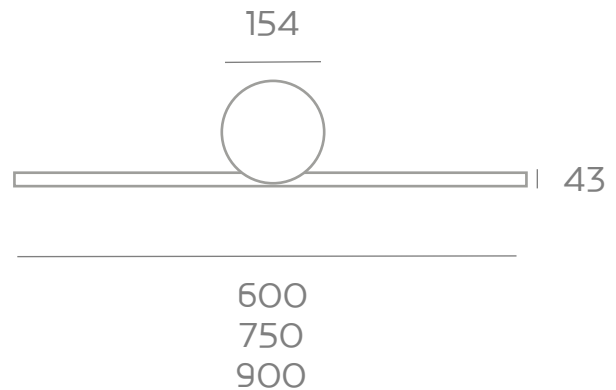
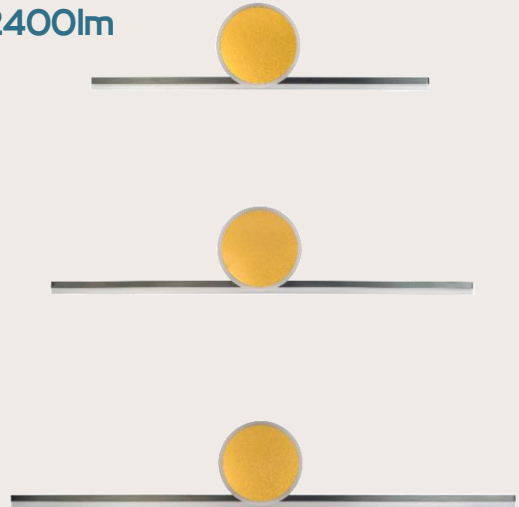


<b>Code</b>	<b>C262 (GOLD)</b>
<b>Power (Watts)</b>	<b>2.x2.75W (6W)</b>
<b>Color Temperature</b>	<b>3000K</b>
<b>Lumen</b>	<b>420lm</b>
<b>LED Rated Life</b>	<b>50000h</b>
<b>CRI<math>\geq</math></b>	<b>90</b>
<b>IP Level</b>	<b>20</b>
<b>Voltage</b>	<b>100-130V</b>
<b>Main Material</b>	<b>Aluminum</b>
<b>Body Color</b>	<b>Gold</b>

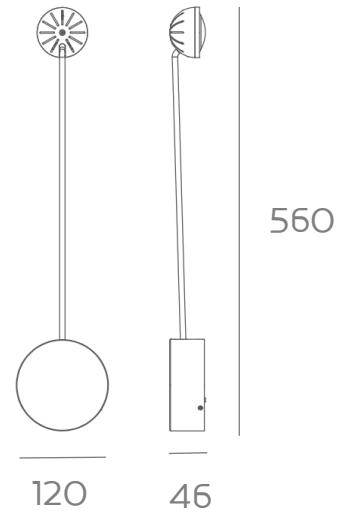




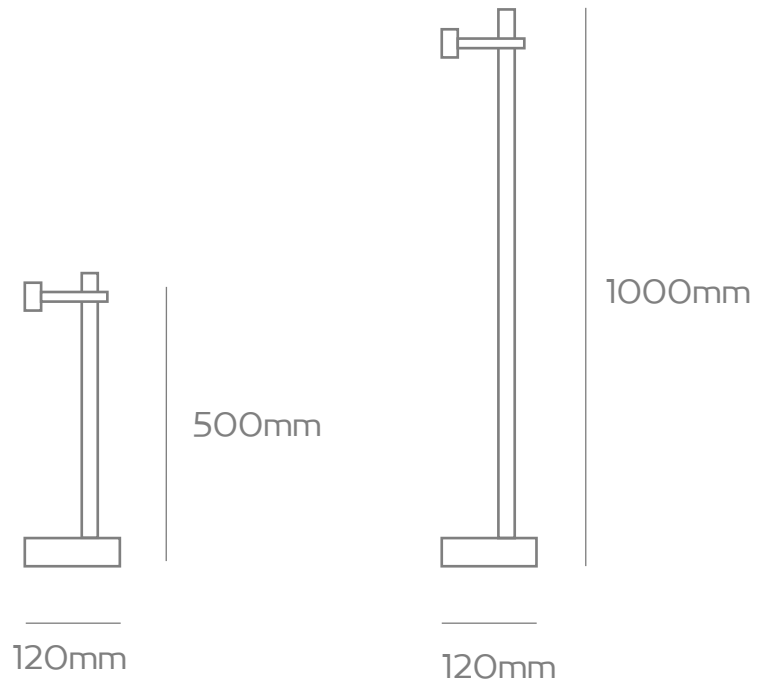
Code	C257 / C258 / C259
Power (Watts)	14W / 21W / 24W
Length	600MM / 750MM / 900MM
Lumen	1400lm / 2100lm / 2400lm
Color Temperature	3000K
CRI $\geq$	90
IP Level	20
Main Material	PC + Aluminum
Body Color	Gold + Black



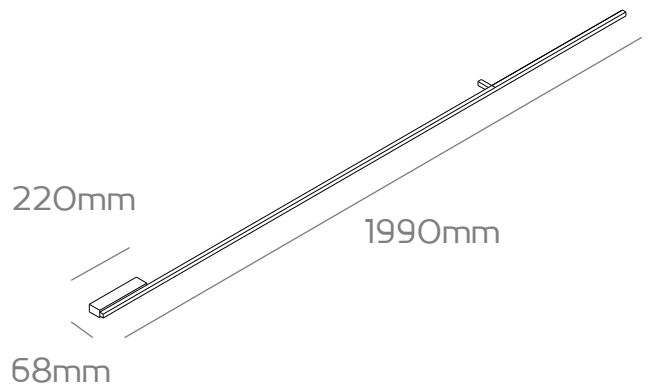
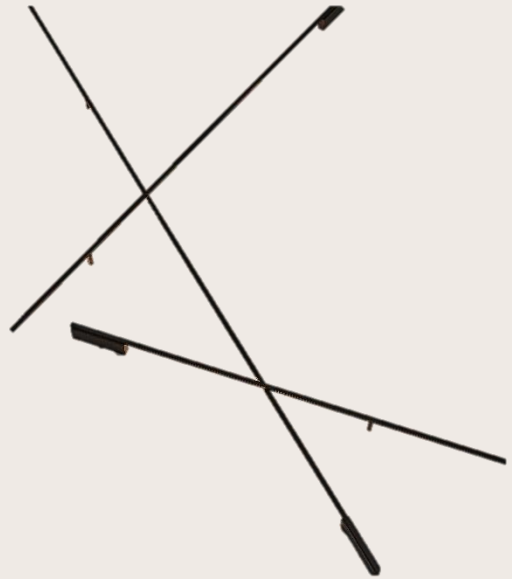
<b>Code</b>	<b>C214</b>
<b>Power (Watts)</b>	<b>5W</b>
<b>Color Temperature</b>	<b>3000K</b>
<b>Lumen</b>	<b>460lm</b>
<b>LED Rated Life</b>	<b>50000h</b>
<b>CRI<math>\geq</math></b>	<b>90</b>
<b>IP Level</b>	<b>20</b>
<b>Voltage</b>	<b>100-130V</b>
<b>Main Material</b>	<b>Aluminum</b>
<b>Body Color</b>	<b>Gold</b>



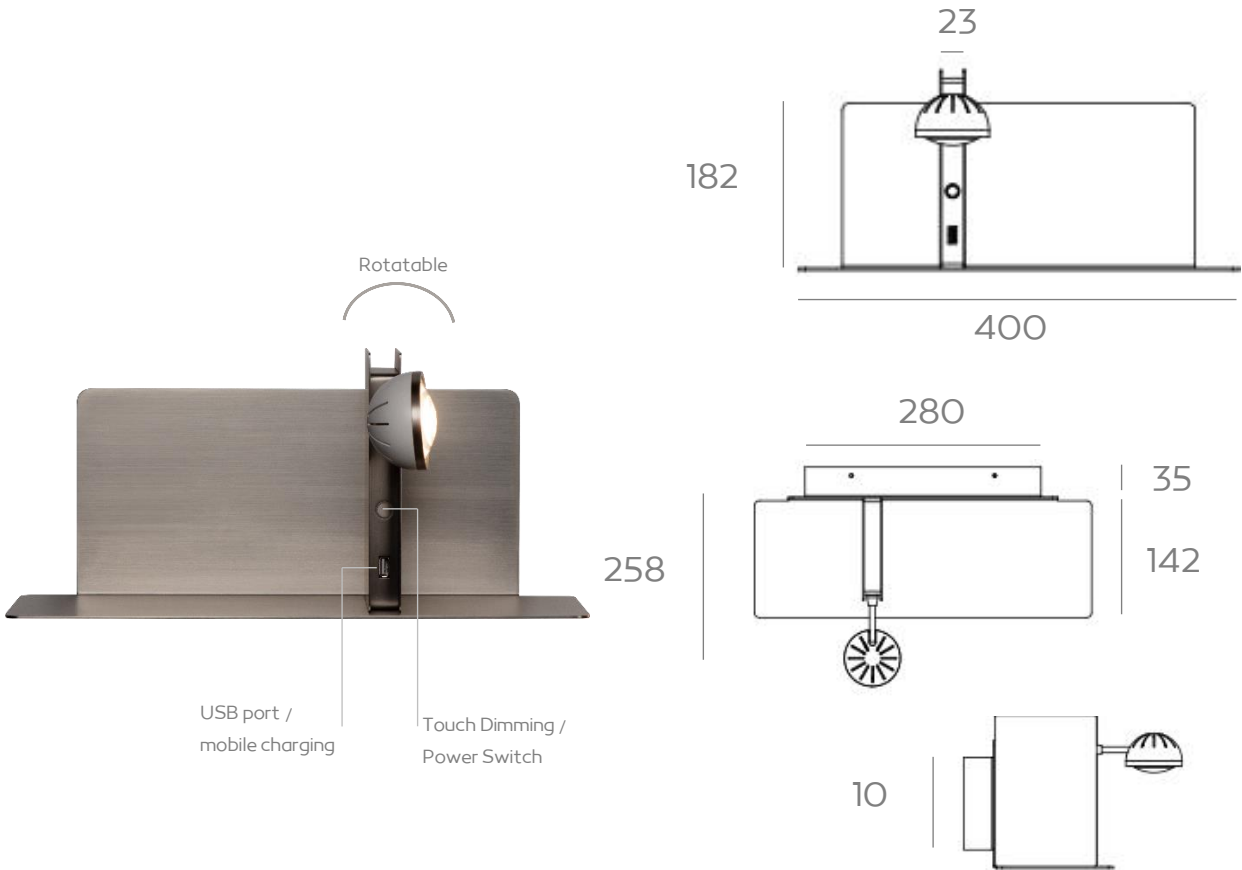
<b>Code</b>	<b>N1027 (1000mm) N1028 (500mm)</b>
<b>Power (Watts)</b>	<b>14W / 7W</b>
<b>Lumen</b>	<b>1260 lm / 630 lm</b>
<b>Color Temperature</b>	<b>3000K</b>
<b>Beam Angle</b>	<b>120°</b>
<b>IP Level</b>	<b>20</b>
<b>Voltage</b>	<b>DC 24 V</b>
<b>Main Material</b>	<b>Aluminum</b>
<b>Body Color</b>	<b>BLACK / WHITE</b>



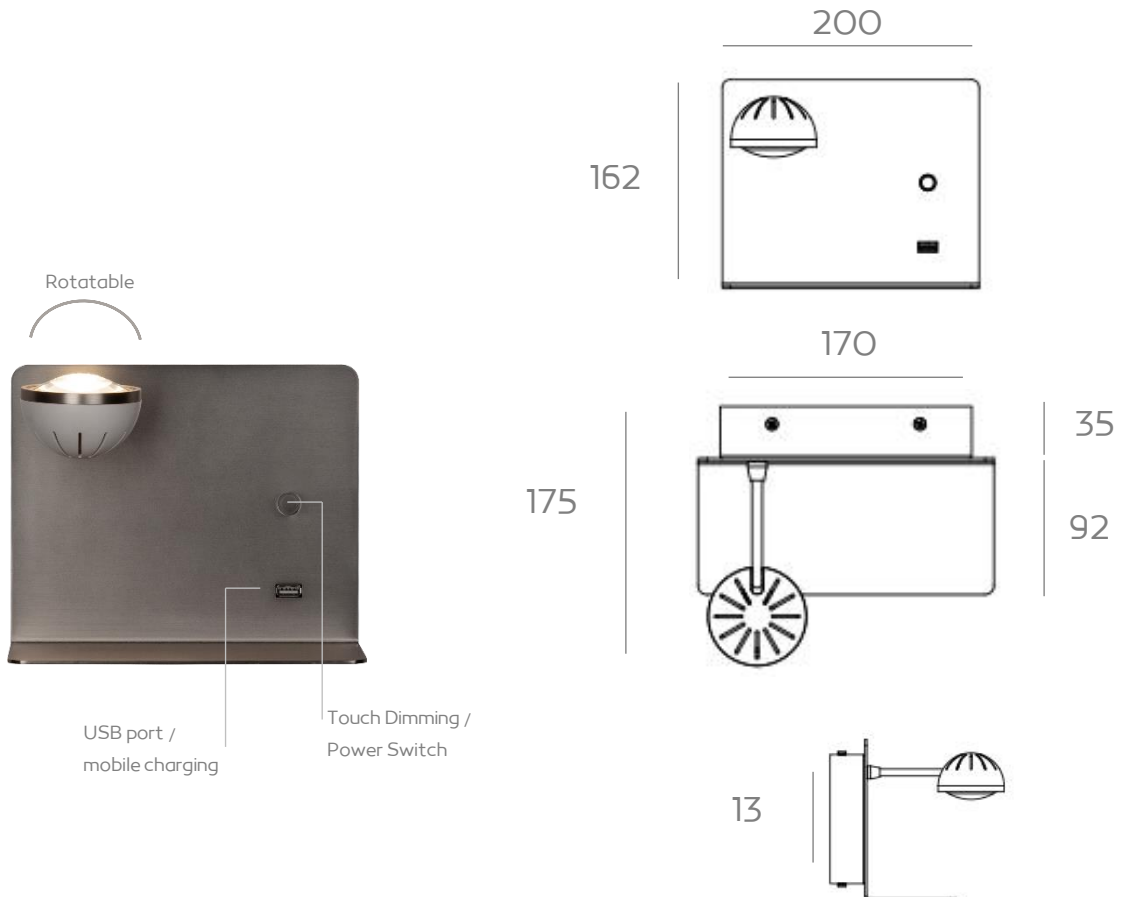
<b>Code</b>	<b>LC193</b>
<b>Power (Watts)</b>	<b>27W</b>
<b>Color Temperature</b>	<b>3000K</b>
<b>CRI<math>\geq</math></b>	<b>90</b>
<b>Light Source</b>	<b>Eds LED</b>
<b>IP Level</b>	<b>20</b>
<b>Body Color</b>	<b>Black</b>



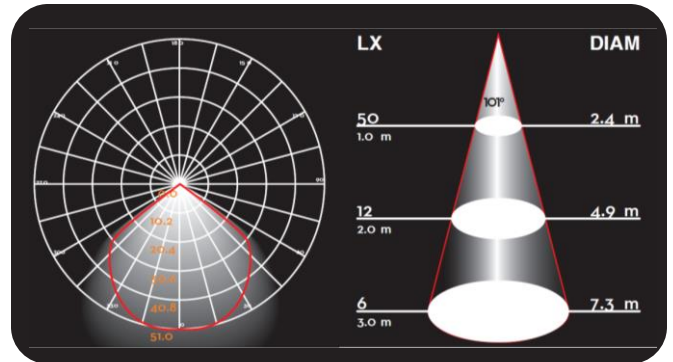
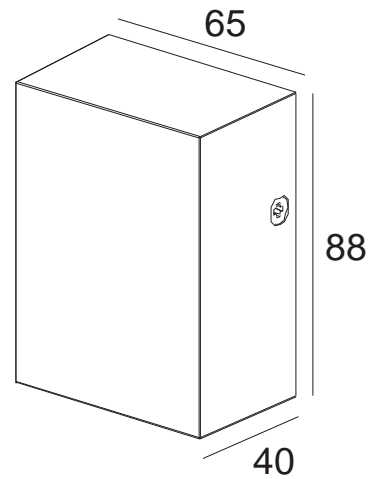
<b>Code</b>	<b>C266 (Right) – C269 (Left)</b>
<b>Power (Watts)</b>	<b>6W</b>
<b>Color Temperature</b>	<b>3000K</b>
<b>Lumen</b>	<b>550lm</b>
<b>CRI<math>\geq</math></b>	<b>90</b>
<b>IP Level</b>	<b>20</b>
<b>Dimmable</b>	<b>Touch Dimming</b>
<b>Body Color</b>	<b>Nickel</b>
<b>Main Material</b>	<b>Steel + ABS + Acrylic</b>
<b>Options</b>	<b>Touch Dimming &amp; USB port for mobile charging</b>



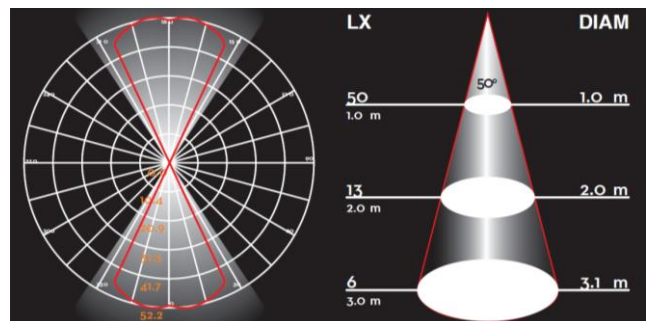
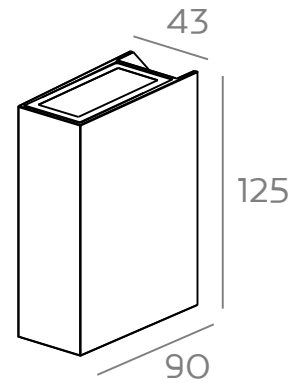
<b>Code</b>	<b>C267 (Left) - C268 (Right)</b>
<b>Power (Watts)</b>	<b>6W</b>
<b>Color Temperature</b>	<b>3000K</b>
<b>Lumen</b>	<b>550lm</b>
<b>CRI <math>\geq</math></b>	<b>90</b>
<b>IP Level</b>	<b>20</b>
<b>Dimmable</b>	<b>Touch Dimming</b>
<b>Body Color</b>	<b>Nickel</b>
<b>Main Material</b>	<b>Steel + ABS + Acrylic</b>
<b>Options</b>	<b>Touch Dimming &amp; USB port for mobile charging</b>



<b>Code</b>	<b>H130 (Dark Gray) / H130-1 (White)</b>
<b>Power (Watts)</b>	<b>3W</b>
<b>Color Temperature</b>	<b>3000K</b>
<b>Lumen</b>	<b>85lm</b>
<b>Beam Angle</b>	<b>101°</b>
<b>CRI ≥</b>	<b>80</b>
<b>IP Level</b>	<b>54</b>
<b>Input Voltage</b>	<b>220-240V</b>
<b>Main Material</b>	<b>Die-Cast Aluminum</b>
<b>Body Color</b>	<b>White</b>

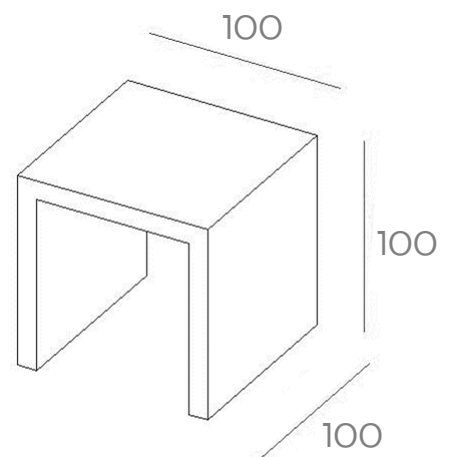


<b>Code</b>	<b>H116 (Dark Gray) / H216 (White)</b>
<b>Power (Watts)</b>	<b>2x4W (8W)</b>
<b>Color Temperature</b>	<b>3000K</b>
<b>Lumen</b>	<b>320lm</b>
<b>Beam Angle</b>	<b>50°</b>
<b>CRI ≥</b>	<b>80</b>
<b>IP Level</b>	<b>54</b>
<b>Input Voltage</b>	<b>220-240V</b>
<b>Main Material</b>	<b>Die-Cast Aluminum</b>
<b>Body Color</b>	<b>Dark Gray / White</b>

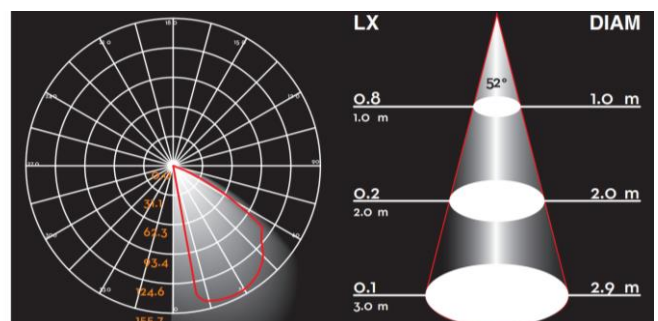
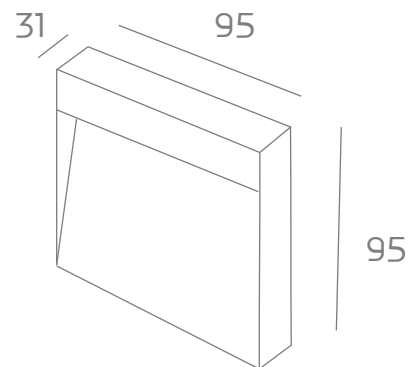




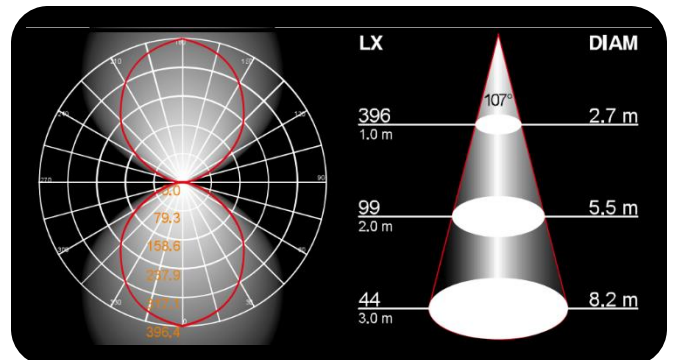
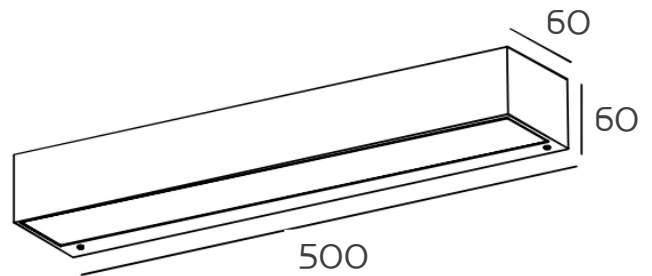
<b>Code</b>	<b>LC130</b>
<b>Power (Watts)</b>	<b>6.3W</b>
<b>Color Temperature</b>	<b>3000K</b>
<b>Light Source</b>	<b>Bridgelux LED</b>
<b>CRI<math>\geq</math></b>	<b>90</b>
<b>IP Level</b>	<b>20</b>
<b>Main Material</b>	<b>Aluminum</b>
<b>Body Color</b>	<b>White</b>



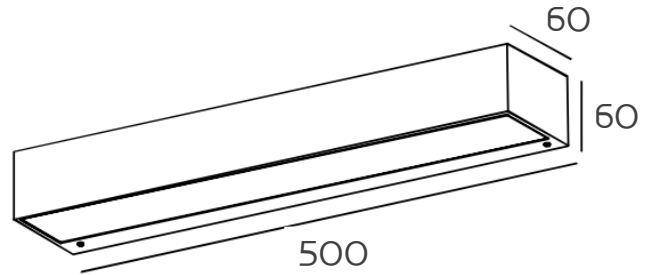
<b>Code</b>	<b>H169</b>
<b>Power (Watts)</b>	<b>4W</b>
<b>Color Temperature</b>	<b>3000K</b>
<b>Lumen</b>	<b>185lm</b>
<b>Beam Angle</b>	<b>52°</b>
<b>CRI</b>	<b>80</b>
<b>IP Level</b>	<b>65</b>
<b>Input Voltage</b>	<b>220-240V</b>
<b>Main Material</b>	<b>Die-Cast Aluminum</b>
<b>Body Color</b>	<b>Dark Gray</b>



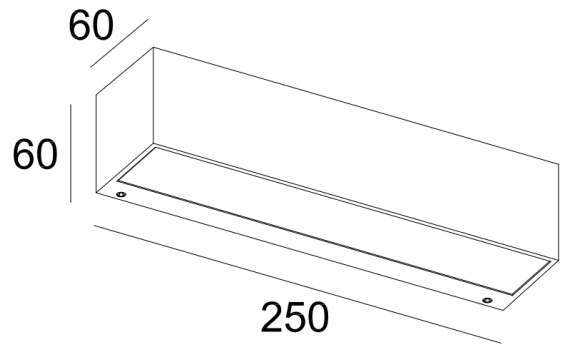
<b>Code</b>	<b>H131</b>
<b>Power (Watts)</b>	<b>20W</b>
<b>Color Temperature</b>	<b>3000K</b>
<b>Lumen</b>	<b>1517lm</b>
<b>Beam Angle</b>	<b>107°</b>
<b>CRI ≥</b>	<b>80</b>
<b>IP Level</b>	<b>65</b>
<b>Input Voltage</b>	<b>220-240V</b>
<b>Main Material</b>	<b>Die-Cast Aluminum</b>
<b>Body Color</b>	<b>Dark Gray</b>



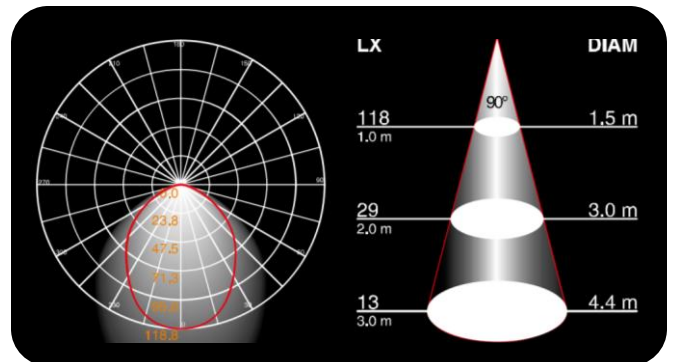
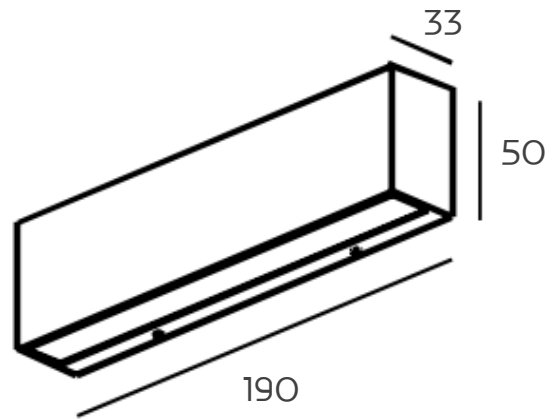
<b>Code</b>	<b>H131-1</b>
<b>Power (Watts)</b>	<b>15W</b>
<b>Color Temperature</b>	<b>3000K</b>
<b>Lumen</b>	<b>1263lm</b>
<b>Beam Angle</b>	<b>107°</b>
<b>CRI<math>\geq</math></b>	<b>80</b>
<b>IP Level</b>	<b>65</b>
<b>Input Voltage</b>	<b>220-240V</b>
<b>Main Material</b>	<b>Die-Cast Aluminum</b>
<b>Body Color</b>	<b>Dark Gray</b>



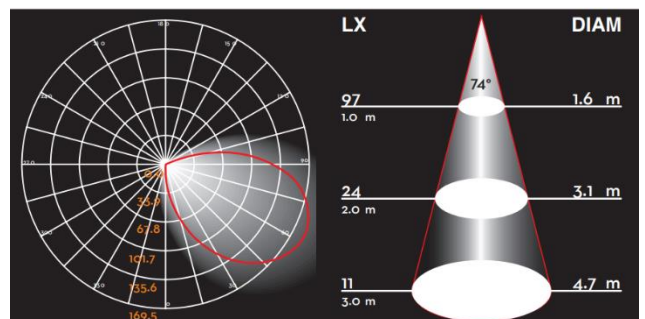
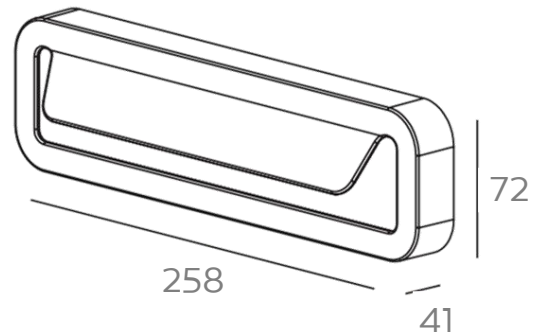
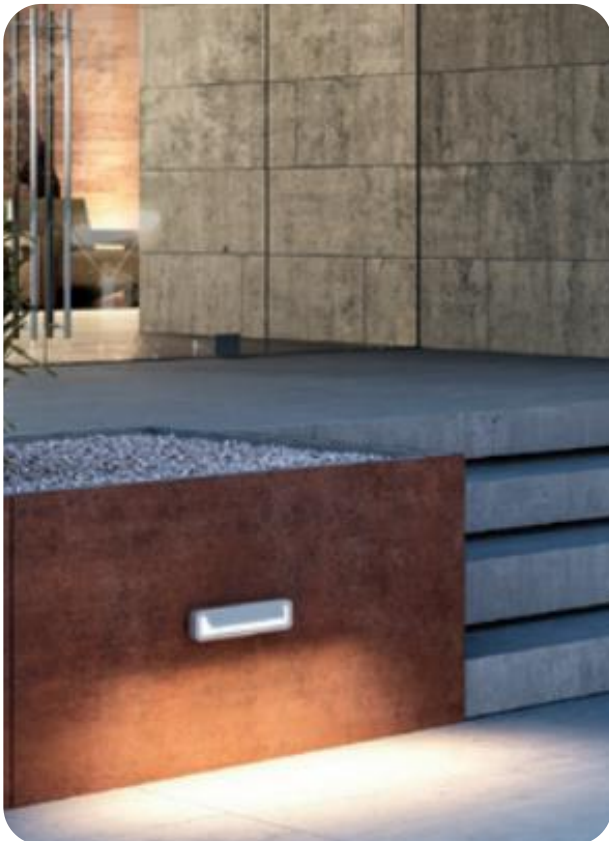
Code	H215
Power (Watts)	15W
Color Temperature	3000K
Lumen	1140lm
Beam Angle	110°
CRI $\geq$	80
IP Level	65
Input Voltage	220-240V
Main Material	Die-Cast Aluminum
Body Color	Dark Gray



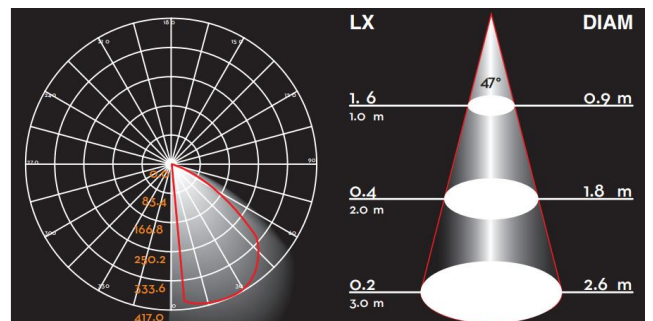
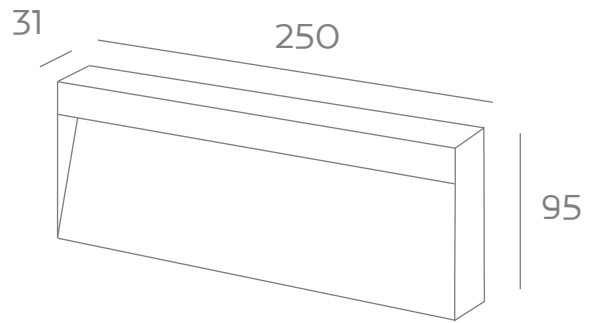
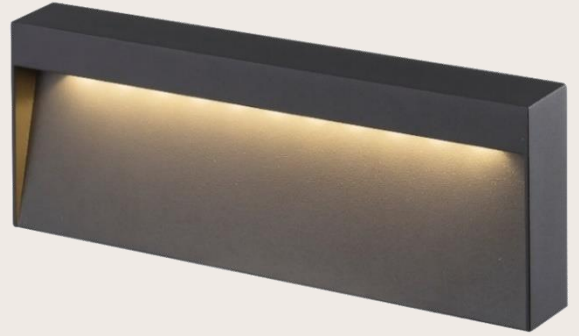
<b>Code</b>	<b>H165</b>
<b>Power (Watts)</b>	<b>4W</b>
<b>Color Temperature</b>	<b>3000K</b>
<b>Lumen</b>	<b>300lm</b>
<b>Beam Angle</b>	<b>90°</b>
<b>CRI ≥</b>	<b>80</b>
<b>IP Level</b>	<b>65</b>
<b>Input Voltage</b>	<b>220-240V</b>
<b>Main Material</b>	<b>Die-Cast Aluminum</b>
<b>Body Color</b>	<b>Dark Gray</b>



<b>Code</b>	<b>H205</b>
<b>Power (Watts)</b>	<b>28x0.54W (15W)</b>
<b>Color Temperature</b>	<b>3000K</b>
<b>Lumen</b>	<b>436lm</b>
<b>Beam Angle</b>	<b>74°</b>
<b>CRI<sub>≥</sub></b>	<b>80</b>
<b>IP Level</b>	<b>65</b>
<b>Input Voltage</b>	<b>220-240V</b>
<b>Main Material</b>	<b>Die-Cast Aluminum</b>
<b>Body Color</b>	<b>Dark Gray</b>

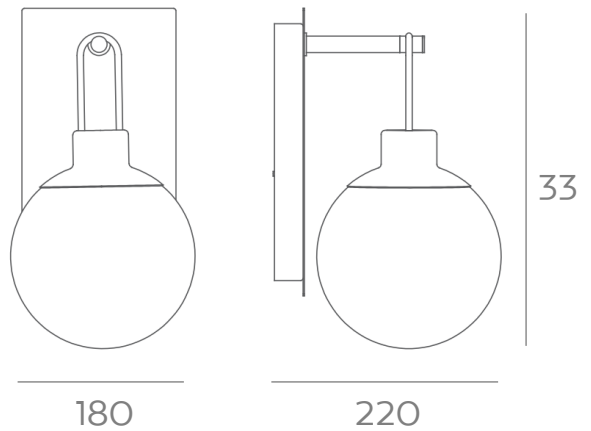


<b>Code</b>	<b>H204</b>
<b>Power (Watts)</b>	<b>9W</b>
<b>Color Temperature</b>	<b>3000K</b>
<b>Lumen</b>	<b>487lm</b>
<b>Beam Angle</b>	<b>74°</b>
<b>CRI</b>	<b>80</b>
<b>IP Level</b>	<b>65</b>
<b>Input Voltage</b>	<b>220-240V</b>
<b>Main Material</b>	<b>Die-Cast Aluminum</b>
<b>Body Color</b>	<b>Dark Gray</b>

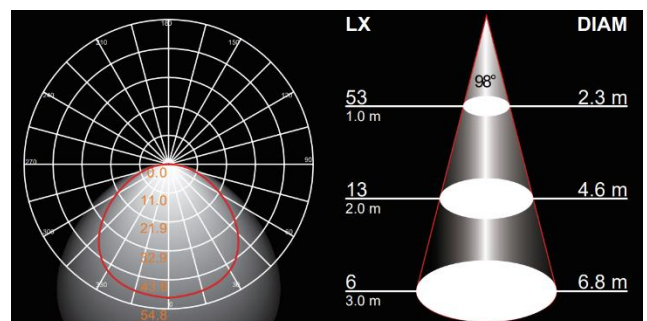
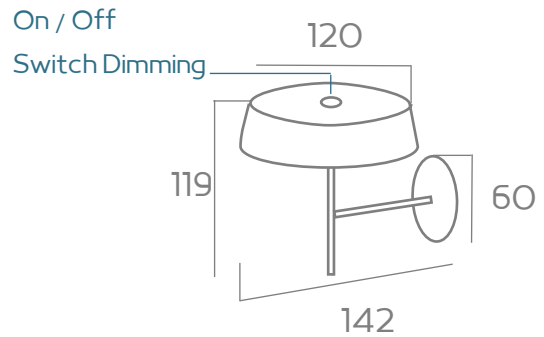




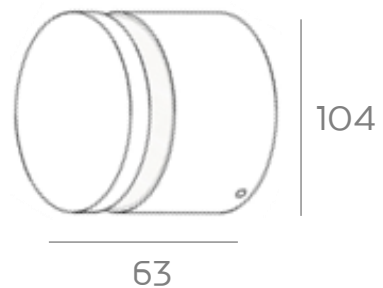
<b>Code</b>	<b>C227</b>
<b>Power (Watts)</b>	<b>12W</b>
<b>Color Temperature</b>	<b>3000K</b>
<b>Lumen</b>	<b>1440lm</b>
<b>LED Rated Life</b>	<b>50000h</b>
<b>CRI<math>\geq</math></b>	<b>90</b>
<b>IP Level</b>	<b>20</b>
<b>Voltage</b>	<b>100-130V</b>
<b>Main Material</b>	<b>Aluminum + Steel + Glass</b>
<b>Body Color</b>	<b>Black / Gold</b>



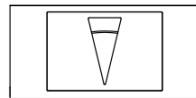
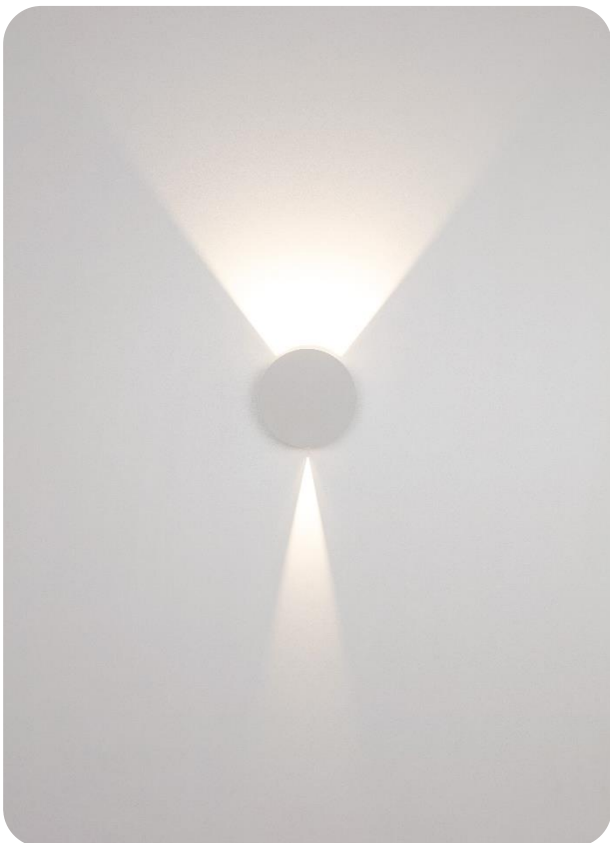
<b>Code</b>	<b>H196</b>
<b>Power (Watts)</b>	<b>2.2W</b>
<b>Color Temperature</b>	<b>3000K</b>
<b>Lumen</b>	<b>195lm</b>
<b>Beam Angle</b>	<b>98°</b>
<b>CRI ≥</b>	<b>85</b>
<b>IP Level</b>	<b>54</b>
<b>Work Time</b>	<b>12h</b>
<b>Charge Time</b>	<b>5-7h</b>
<b>Battery</b>	<b>2x2200mAh Lithium Battery</b>
<b>Main Material</b>	<b>Die-Cast Aluminum</b>
<b>Body Color</b>	<b>Shining Black</b>



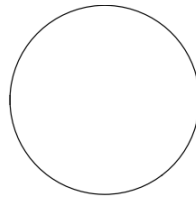
<b>Code</b>	LC161 (White) – LC162 (Black)
<b>Power (Watts)</b>	12W
<b>Color Temperature</b>	3000K
<b>Lumen</b>	66.34lm
<b>Light Source</b>	Teen LED
<b>CRI<math>\geq</math></b>	90
<b>IP Level</b>	65
<b>Input Voltage</b>	220V
<b>Main Material</b>	Die-Cast Aluminum
<b>Body Color</b>	White / Black



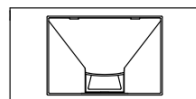
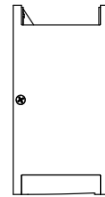
<b>Code</b>	<b>C265</b>
<b>Power (Watts)</b>	<b>5W</b>
<b>Color Temperature</b>	<b>3000K</b>
<b>Lumen</b>	<b>500lm</b>
<b>CRI<math>\geq</math></b>	<b>90</b>
<b>IP Level</b>	<b>20</b>
<b>Input Voltage</b>	<b>220V</b>
<b>Main Material</b>	<b>ABS</b>
<b>Body Color</b>	<b>White</b>



— 115 —



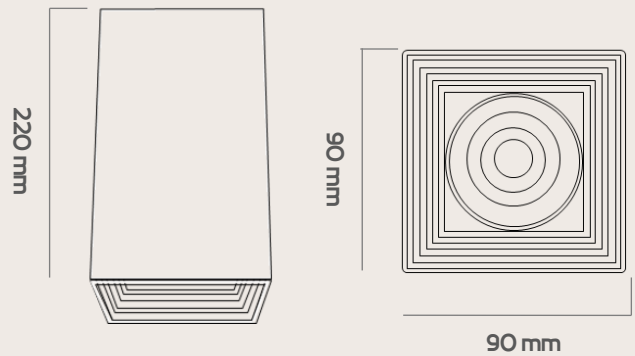
— 57 —



<b>Code</b>	<b>J68</b>
<b>Power (Watts)</b>	<b>8W</b>
<b>Color Temperature</b>	<b>3000K</b>
<b>IP Level</b>	<b>20</b>
<b>Body Color</b>	<b>White</b>



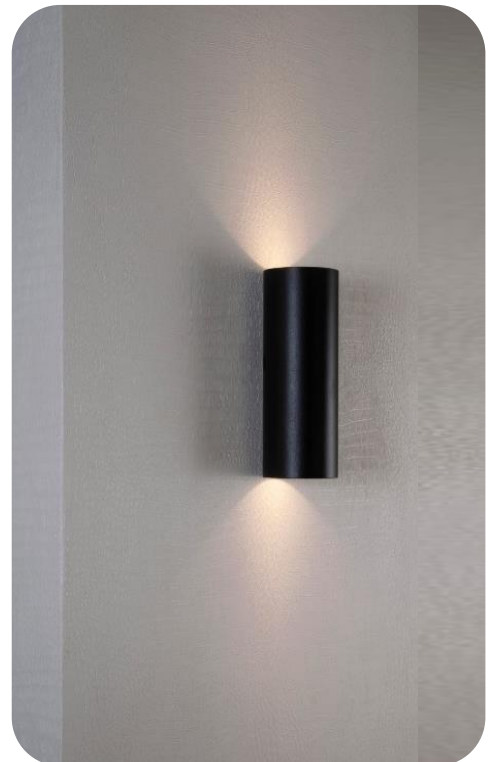
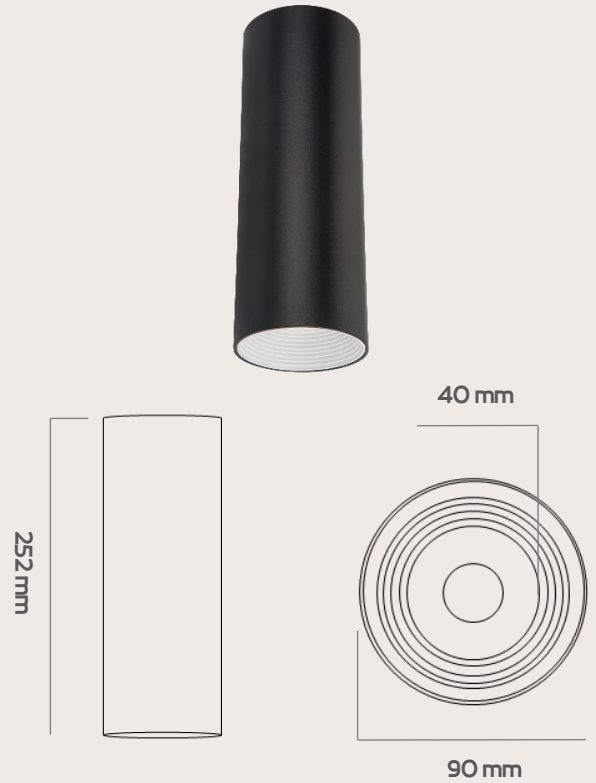
<b>Code</b>	<b>N1008</b>
<b>Base</b>	<b>GU10</b>
<b>Power(Watts)</b>	<b>2X6W (12W)</b>
<b>Lumen</b>	<b>2x600lm</b>
<b>Lamp Holder</b>	<b>Ceramic</b>
<b>Light Source</b>	<b>San'an</b>
<b>Beam Angle</b>	<b>35°</b>
<b>Color Temperature</b>	<b>3000K</b>
<b>CRI <math>\geq</math></b>	<b>80</b>
<b>IP Level</b>	<b>20</b>
<b>Main Material</b>	<b>Aluminum</b>
<b>Reflector Color</b>	<b>BLK / WHT</b>
<b>Body Color</b>	<b>BLK / WHT</b>



<b>Code</b>	<b>N1009</b>
<b>Base</b>	<b>GU10</b>
<b>Power(Watts)</b>	<b>2X6W (12W)</b>
<b>Lumen</b>	<b>2x600lm</b>
<b>Lamp Holder</b>	<b>Ceramic</b>
<b>Light Source</b>	<b>San'an</b>
<b>Beam Angle</b>	<b>35°</b>
<b>Color Temperature</b>	<b>3000K</b>
<b>CRI <math>\geq</math></b>	<b>80</b>
<b>IP Level</b>	<b>20</b>
<b>Main Material</b>	<b>Aluminum</b>
<b>Body Color</b>	<b>BLK / WHT</b>

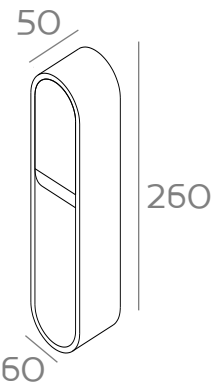


<b>Code</b>	<b>N1014</b>
<b>Base</b>	<b>GU10</b>
<b>Power(Watts)</b>	<b>2X6W (12W)</b>
<b>Lumen</b>	<b>2x600lm</b>
<b>Lamp Holder</b>	<b>Ceramic</b>
<b>Light Source</b>	<b>San'an</b>
<b>Beam Angle</b>	<b>35°</b>
<b>Color Temperature</b>	<b>3000K</b>
<b>CRI <math>\geq</math></b>	<b>80</b>
<b>IP Level</b>	<b>20</b>
<b>Main Material</b>	<b>Aluminum, Plastic</b>
<b>Reflector Color</b>	<b>BLK / WHT</b>
<b>Body Color</b>	<b>BLK / WHT</b>

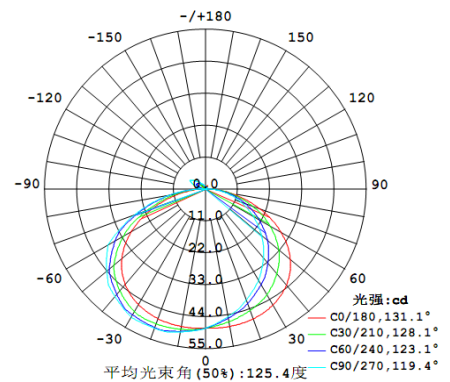




<b>Code</b>	<b>LC140</b>
<b>Power (Watts)</b>	<b>5W</b>
<b>Color Temperature</b>	<b>3000K</b>
<b>Lumen</b>	<b>175.47lm</b>
<b>Light Source</b>	<b>Edison LED</b>
<b>CRI<math>\geq</math></b>	<b>90</b>
<b>IP Level</b>	<b>20</b>
<b>Beam Angle</b>	<b>125.4°</b>
<b>Main Material</b>	<b>Aluminum</b>
<b>Body Color</b>	<b>White</b>



LUMINOUS INTENSITY DISTRIBUTION DIAGRAM



<b>Code</b>	<b>N2001</b>
<b>Base</b>	<b>1xE14</b>
<b>Main Material</b>	<b>Brass</b>
<b>Shade Material</b>	<b>Fabric</b>
<b>Body Color</b>	<b>Gold / Silver</b>
<b>Shade Color</b>	<b>Free to Order</b>
<b>IP Level</b>	<b>20</b>



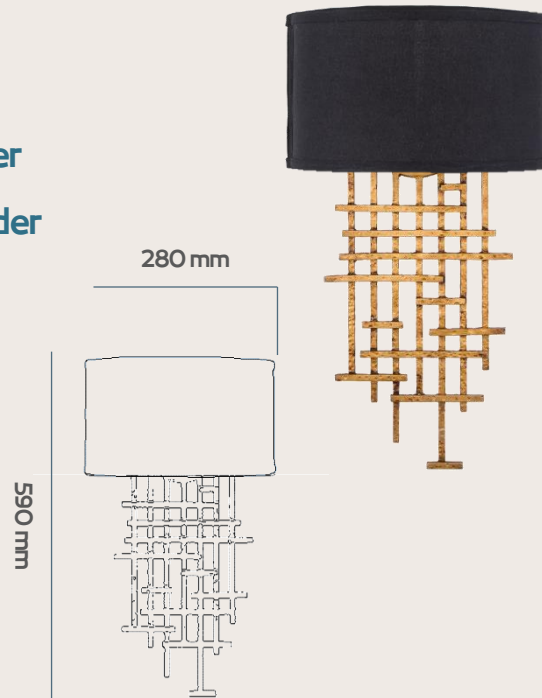
<b>Code</b>	<b>N2002</b>
<b>Base</b>	<b>1xE14</b>
<b>Main Material</b>	<b>Brass</b>
<b>Shade Material</b>	<b>Fabric</b>
<b>Body Color</b>	<b>Gold / Silver</b>
<b>Shade Color</b>	<b>Free to Order</b>
<b>IP Level</b>	<b>20</b>



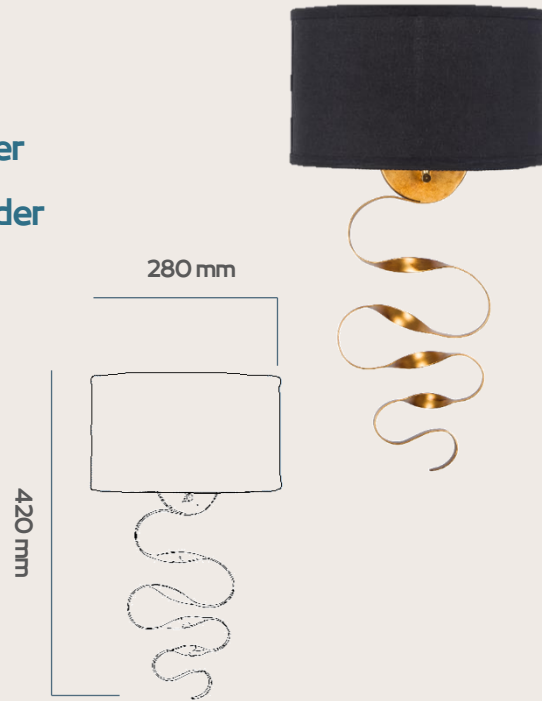
<b>Code</b>	<b>N2003</b>
<b>Base</b>	<b>1xE14</b>
<b>Main Material</b>	<b>Aluminum</b>
<b>Shade Material</b>	<b>Fabric</b>
<b>Body Color</b>	<b>Gold / Silver</b>
<b>Shade Color</b>	<b>Free to Order</b>
<b>IP Level</b>	<b>20</b>



<b>Code</b>	<b>N2004</b>
<b>Base</b>	<b>1xE14</b>
<b>Main Material</b>	<b>Iron</b>
<b>Shade Material</b>	<b>Fabric</b>
<b>Body Color</b>	<b>Gold / Silver</b>
<b>Shade Color</b>	<b>Free to Order</b>
<b>IP Level</b>	<b>20</b>



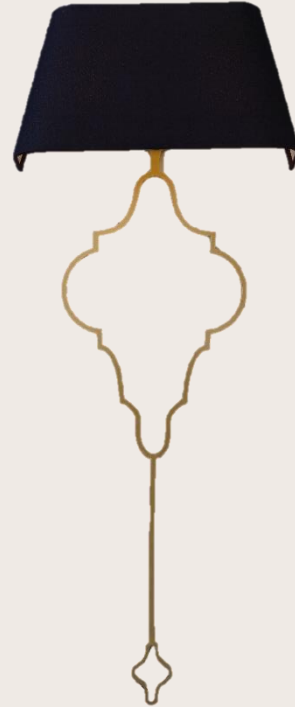
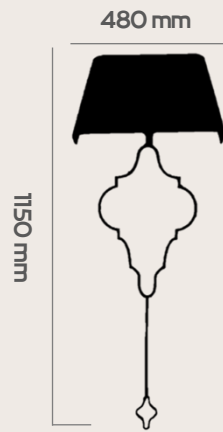
<b>Code</b>	<b>N2007</b>
<b>Base</b>	<b>1xE14</b>
<b>Main Material</b>	<b>Iron</b>
<b>Shade Material</b>	<b>Fabric</b>
<b>Body Color</b>	<b>Gold / Silver</b>
<b>Shade Color</b>	<b>Free to Order</b>
<b>IP Level</b>	<b>20</b>



<b>Code</b>	<b>N2009</b>
<b>Base</b>	<b>2xE14</b>
<b>Main Material</b>	<b>Iron</b>
<b>Shade Material</b>	<b>Fabric</b>
<b>Body Color</b>	<b>Gold / Silver</b>
<b>Shade Color</b>	<b>Free to Order</b>
<b>IP Level</b>	<b>20</b>

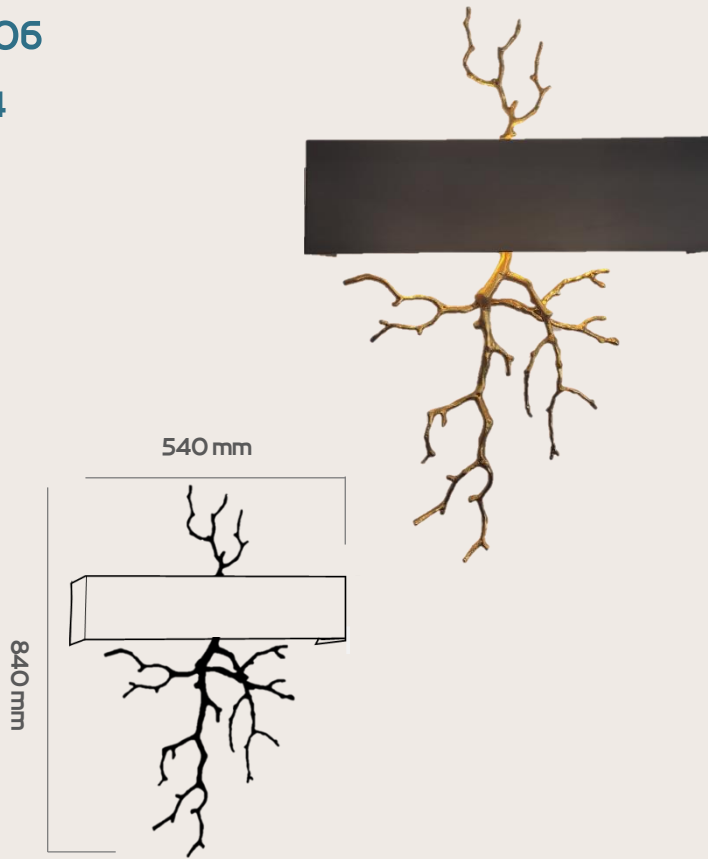


Code	N2008
Base	2xE14
Main Material	Iron
Shade Material	Fabric
Body Color	Gold / Silver
Shade Color	BLK
IP Level	20





<b>Code</b>	<b>N2006</b>
<b>Base</b>	<b>2xE14</b>
<b>Main Material</b>	<b>Brass</b>
<b>Shade Material</b>	<b>Iron</b>
<b>Body Color</b>	<b>Gold</b>
<b>Shade Color</b>	<b>BLK</b>
<b>IP Level</b>	<b>20</b>



Code	N2005
Base	5xG9
Main Material	Iron
Shade Material	Aluminum
Body Color	Gold / Silver
Shade Color	GLD / SIL
IP Level	20









نوران  
NOORAN