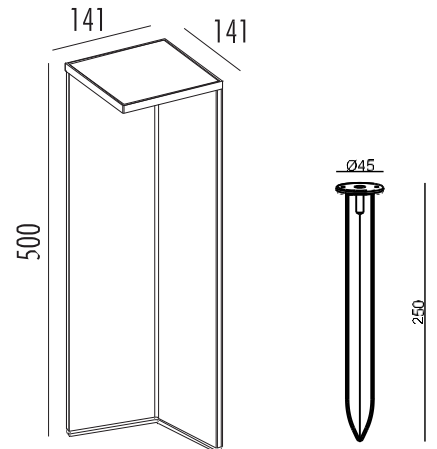


Code	H178
Power (Watts)	2.2W (2W Solar Panel)
Color Temperature	3000K
Lumen	151 lm
Beam Angle	74°
Body Material	Die-Cast Aluminum
IP Level	54
CRI \geq	80
Work Time \geq	20-25h (%15 of Light) 2.5-3h (%100 of Light)
Charge Time	6-8h (sunshine)
Battery	1x2200mAh Lithium Battery
Body Color	Dark Gray



Solar Lamp



Plastic spike included

