

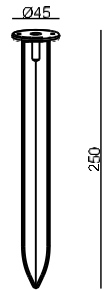
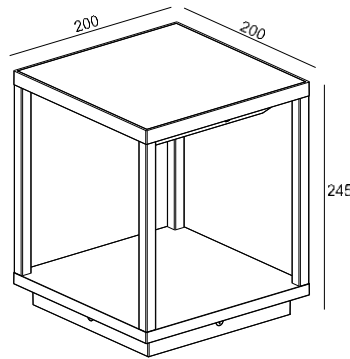
Code	H197
Power (Watts)	0.65W (2W Solar Panel)
Color Temperature	3000K
Lumen	163lm
Beam Angle	35°
Body Material	Die-Cast Aluminum
IP Level	54
CRI \geq	80
Work Time \geq	12h
Charge Time	5-7h (sunshine)
Battery	2x2200mAh Lithium Battery
Body Color	Dark Gray



Solar Lamp



☀ Daylight sensor lux < 50
Automatically light up at night



Plastic spike included

