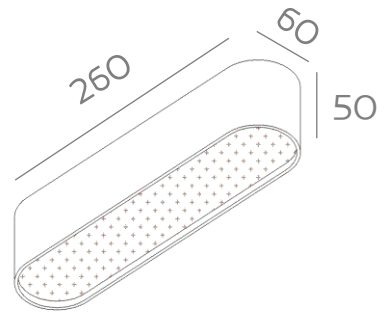


<b>Code</b>	<b>LC135</b>
<b>Power (Watts)</b>	<b>10.5W</b>
<b>Color Temperature</b>	<b>3000K</b>
<b>Lumen</b>	<b>855lm</b>
<b>Light Source</b>	<b>EDS LED</b>
<b>CRI<math>\geq</math></b>	<b>90</b>
<b>IP Level</b>	<b>20</b>
<b>Main Material</b>	<b>Aluminum + Acrylic + Iron</b>
<b>Body Color</b>	<b>White</b>



LUMINOUS INTENSITY DISTRIBUTION DIAGRAM

