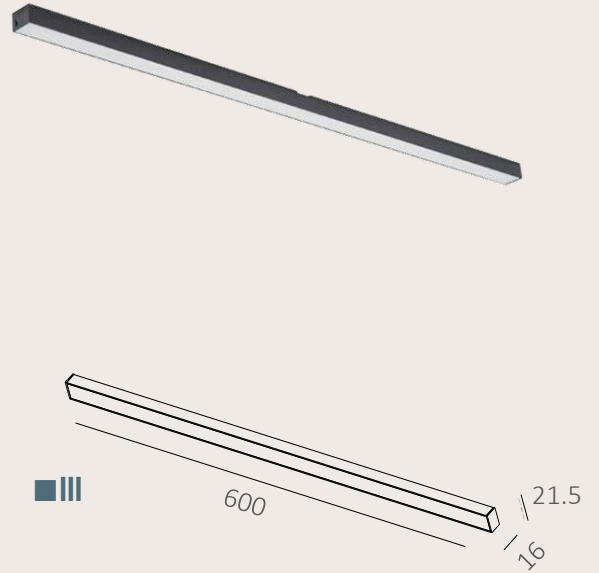


Code	LC152
Input Voltage	DC 24V
Power(Watts)	12W
Lumen	1440lm
Light Source	EDS LED
Color Temperature	3000K
CRI ≥	90
IP level	IP20
Main Material	Aluminum
Body Color	Black
Wire connection way	Track Adaptor
Class	<input type="checkbox"/> I <input type="checkbox"/> II



## Optic Data

### Luminous Intensity Distribution Curve

