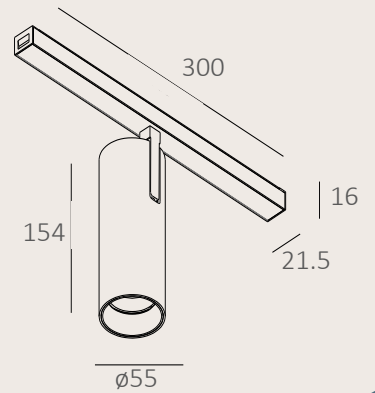


Code	LC154
Input Voltage	DC 24V
Power(Watts)	12W
Lumen	1380lm
Light Source	LUMILEDS LED
Color Temperature	3000K
CRI \geq	90
IP level	IP20
Main Material	Aluminum
Body Color	Black
Wire connection way	Track Adaptor
Class	<input type="checkbox"/> I <input type="checkbox"/> II <input checked="" type="checkbox"/> III



Optic Data

Luminous Intensity Distribution Curve

