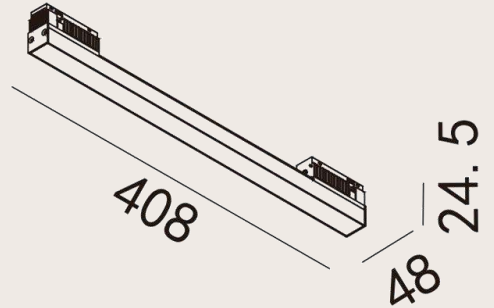
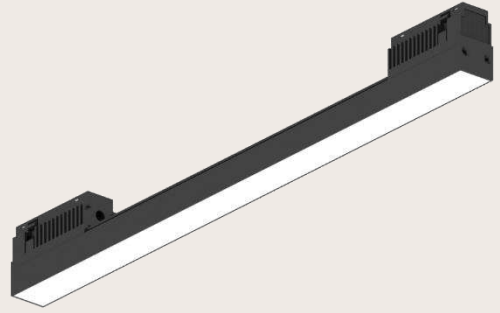
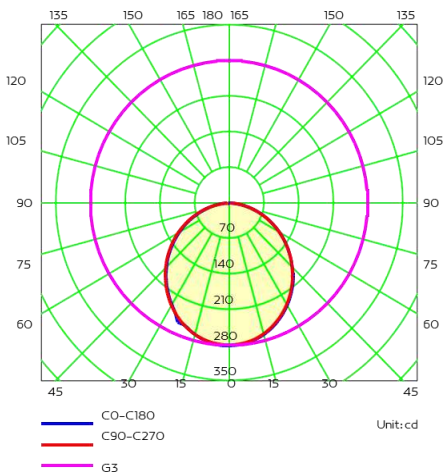


Code	T178 (BLK) / T379 (WHT)		
Input Voltage	DC48 350MA		
Power(Watts)	11W		
Lumen	783lm		
Lamp holder	Aluminum PCB		
Light Source	Bridgelux 2835		
Beam Angle	110°		
Color Temperature	3000K		
CRI ≥	80		
IP level	IP20		
Main Material	Aluminum		
Body Color	WHT / BLK		
Wire connection way	Track Adaptor		
Class	<input type="checkbox"/> I	<input type="checkbox"/> II	<input checked="" type="checkbox"/> III
Certificates	CE . ROHS		



Optic Data

Luminous Intensity Distribution Curve



AAI Figure

