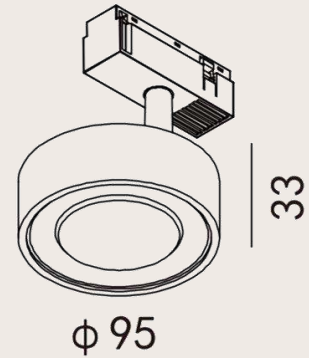
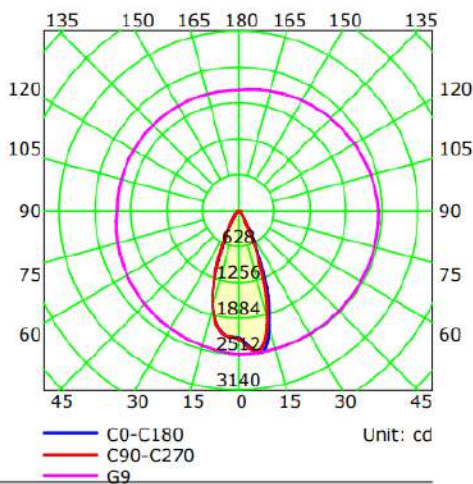


Code	T190(BLK)		
Input Voltage	DC48		
Power(Watts)	13W		
Lumen	2513lm		
Lamp holder	Ceramic PCB		
Light Source	CREE CXA1512(37V)		
Beam Angle	38°		
Color Temperature	3000K		
CRI ≥	90		
IP level	IP20		
Main Material	Aluminum		
Body Color	BLK		
Wire connection way	Track Adaptor		
Class	<input type="checkbox"/> I	<input type="checkbox"/> II	<input checked="" type="checkbox"/> III
Certificates	CE . ROHS		



Optic Data

Luminous Intensity Distribution Curve



Test Device: GPM-1800
Distance: 10.096 m
Humidity: 71
Inspector:

AAI Figure

