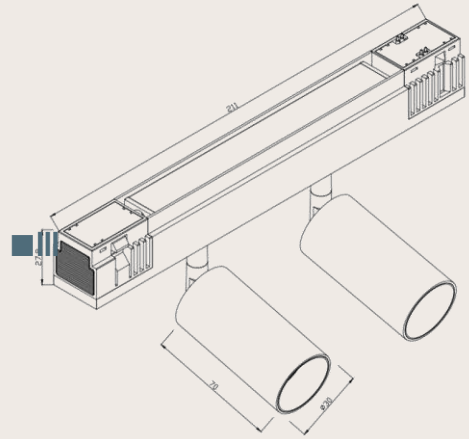


Code	T314 (BLK)
Input Voltage	DC48
Power(Watts)	13W
Lumen	1696lm
Lamp holder	Ceramic PCB
Color Temperature	3000K
CRI ≥	90
IP level	IP20
Main Material	Aluminum
Body Color	BLK
Wire connection way	Track Adaptor
Class	<input type="checkbox"/> I <input type="checkbox"/> II
Certificates	CE . ROHS



Optic Data

Luminous Intensity Distribution Curve

AAI Figure