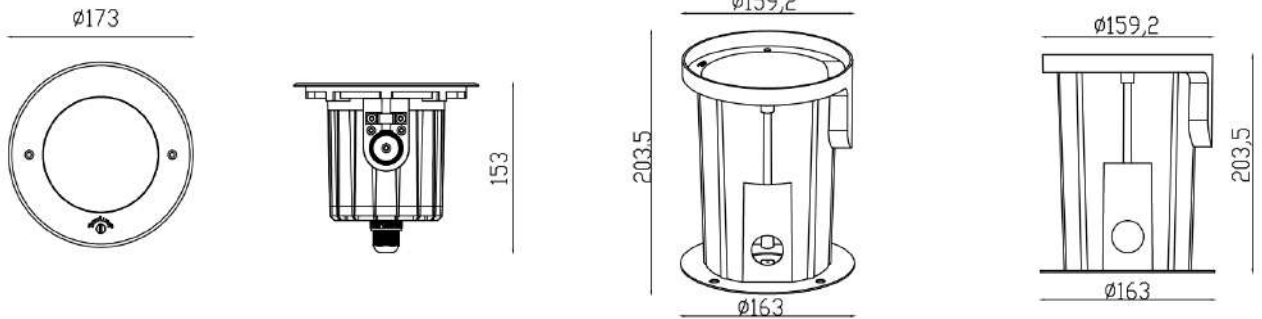


Code	XB2DGRO656
Consumption(W)	10.5W
Light source	6 × 1.2W Osram
Color Temperature	3000K
Lumen	589lm
Beam Angle	20°
IP rating	67
IK rating	09
Input Voltage	220–240V
Housing	Die-casting aluminum powder coated
Front cover	Hard chrome-plated stainless steel SUS 316L #
Light window	Tempered glass.T=8mm



Angle adjustable

