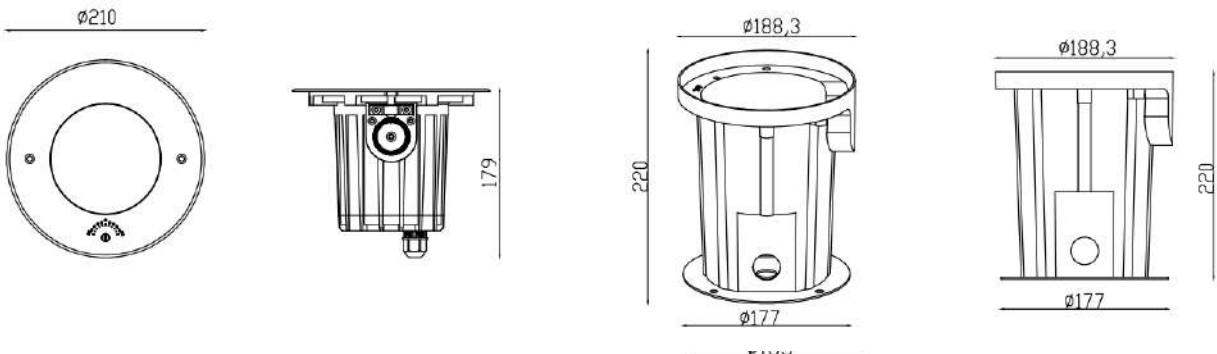


Code	XB2DGR0956
Consumption(W)	13.2W
Light source	9 × 1.2W Osram
Color Temperature	3000K
Lumen	789lm
Beam Angle	20°
IP rating	67
IK rating	09
Input Voltage	220-240V
Housing	Die-casting aluminum powder coated
Front cover	Hard chrome-plated stainless steel SUS 316L #
Light window	Tempered glass.T=8mm



Angle adjustable

