

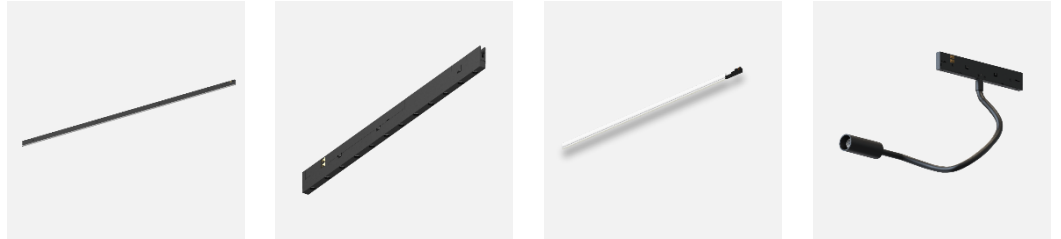


نوران
NOORAN

4 WIRE MICRO TRACK DATASHEET

APR - 2026

4-Wire Micro Track Light



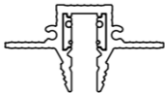
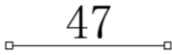


4 Wire Micro Track Light

Description of Accessories

Recessed Track ▶

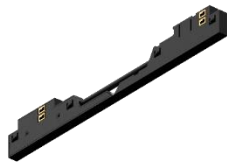
Diameter	Code	Color
2000mm	T428	Black
3000mm	T429	Black



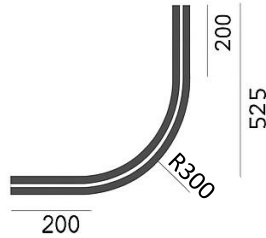
Track Installation Connectors & Accessories



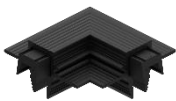
T423



T422



T404



T425



T430

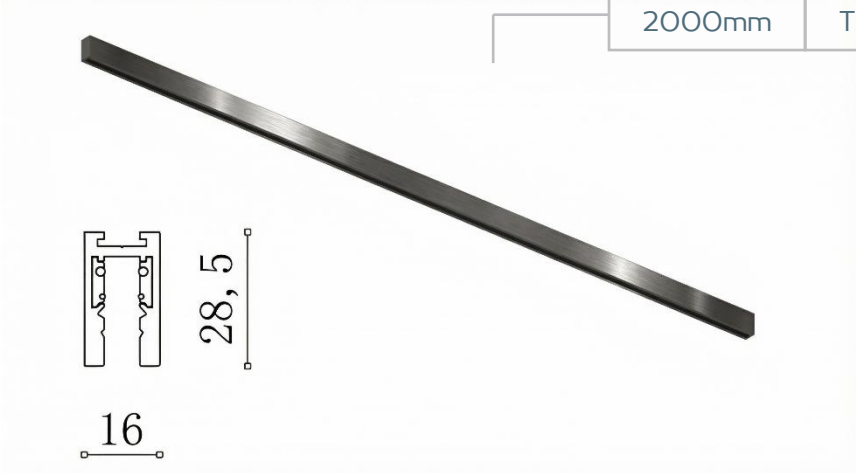


T424

Description of Accessories

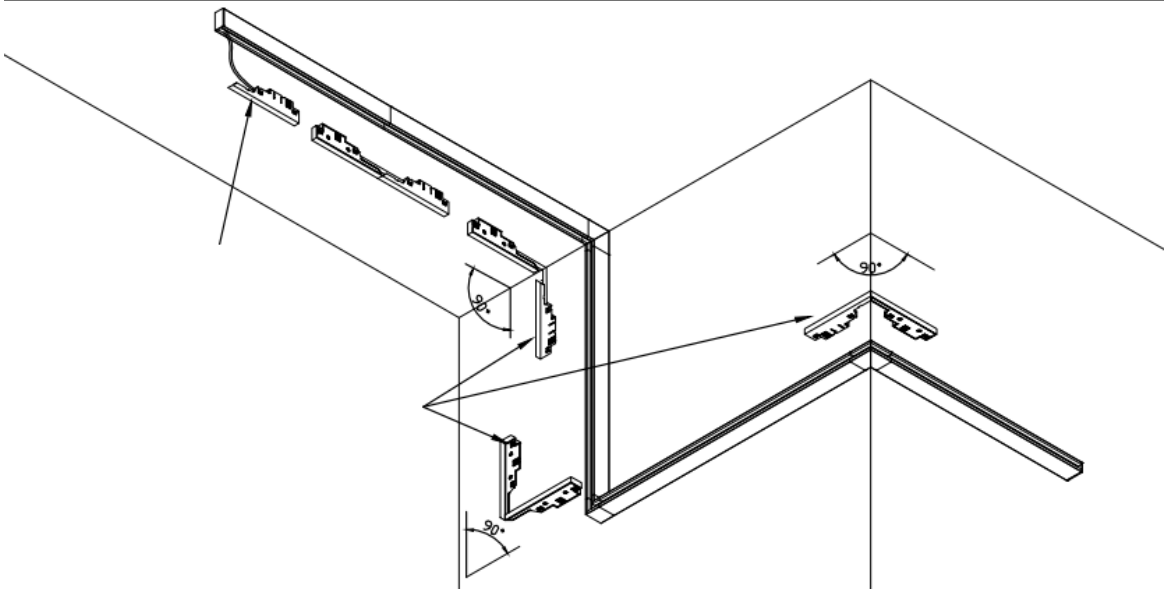
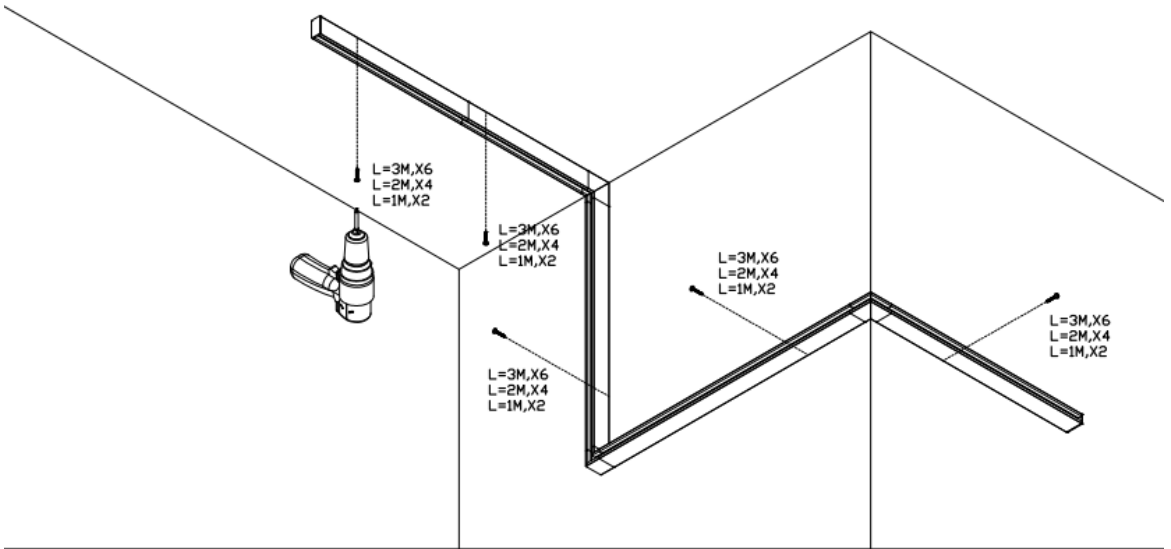
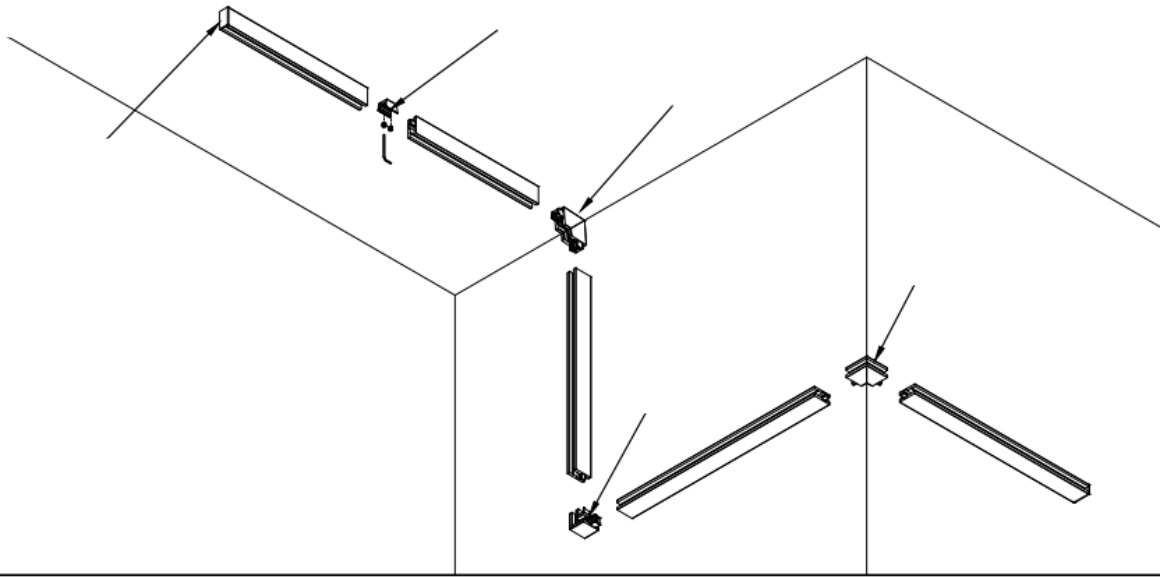
Surface Track ▶

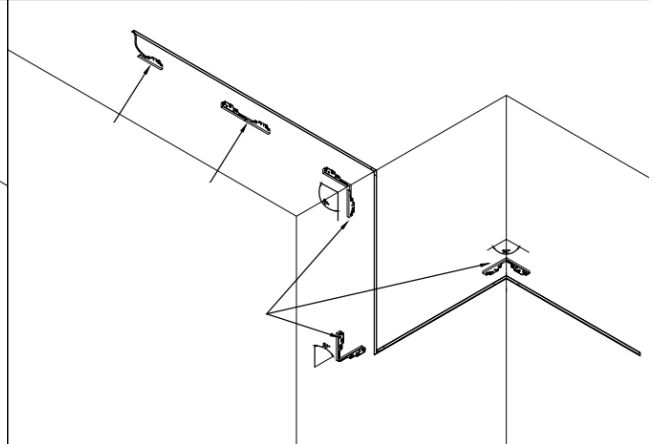
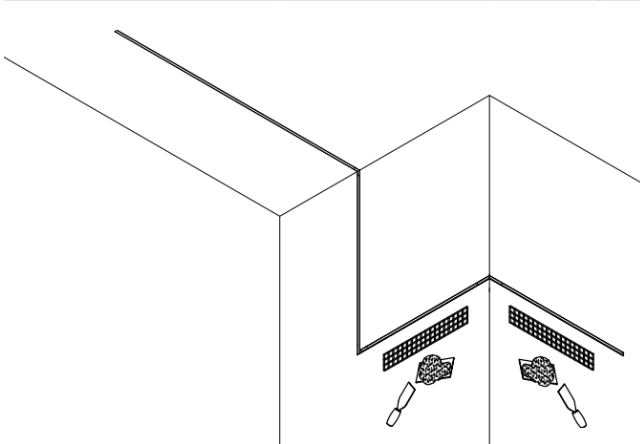
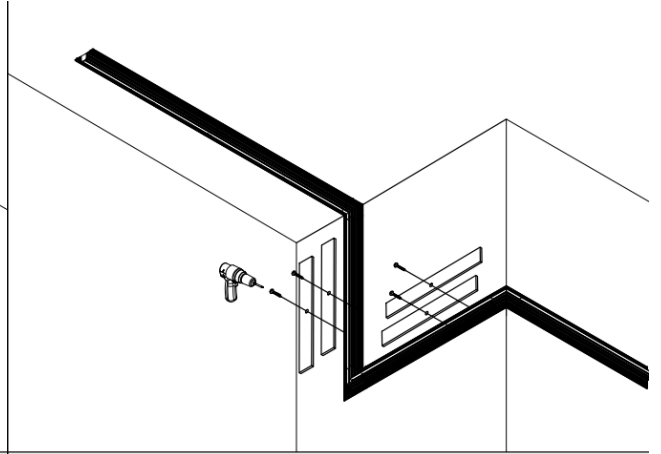
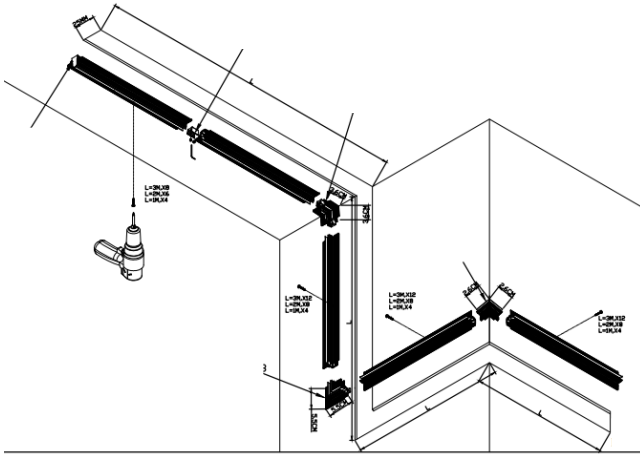
Diameter	Code	Color
2000mm	T401	Anodized Dark Gray



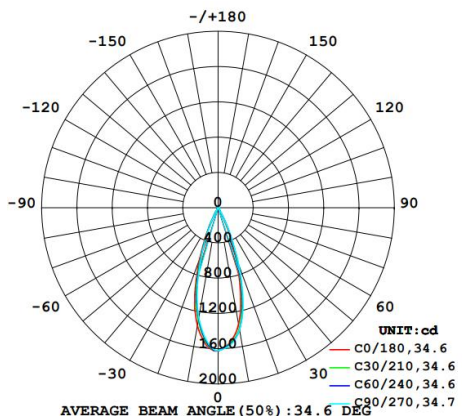
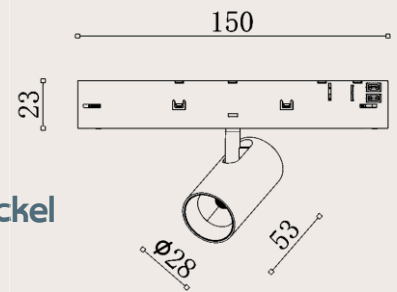
Track Installation Connectors & Accessories







Code	T406 (WHT) T407 (GLD) T408 (GRY) T409 (NKL)	
Input Voltage	DC 48V	
Power(Watts)	4.5W	
Lumen	548.9 lm	
Lamp holder	Ceramic PCB	
Light Source	CREE CMB1304 PrO9	
Beam Angle	36°	
Color Temperature	3000K	
CRI ≥	90	
Main Material	Aluminum	
Wire connection way	Track Adaptor	
Body Color	White / Gold / Dark Gray / Nickel	
Class	<input type="checkbox"/> I <input type="checkbox"/> II <input checked="" type="checkbox"/> III	
Certificates	CE , ROHS	

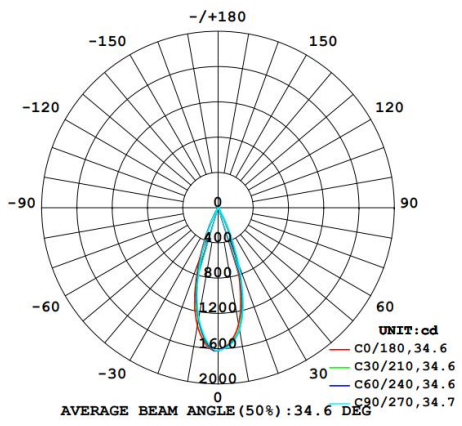
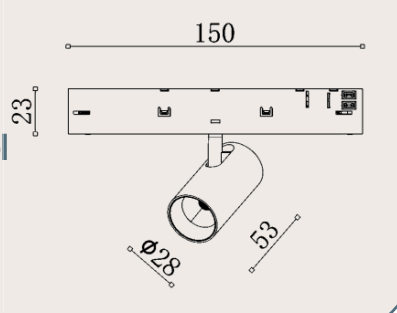


Flux out:362.1 lm

Height	Eavg, Emax	Angle:34.60deg	Diameter
1m	1092,1624lx		62.28cm
2m	273.0,406.0lx		124.57cm
3m	121.3,180.5lx		186.85cm
4m	68.24,101.5lx		249.14cm
5m	43.67,64.96lx		311.42cm
6m	30.33,45.11lx		373.71cm
7m	22.28,33.15lx		435.99cm
8m	17.06,25.38lx		498.28cm
9m	13.48,20.05lx		560.56cm
10m	10.92,16.24lx		622.85cm

Note: The Curves indicate the illuminated area and the average illumination when the luminaire is at different distance.

Code	T410 (BLK) T411 (GLD) T412 (GRY) T413 (NKL)
Input Voltage	DC 48V
Power(Watts)	4.5W
Lumen	548.9 lm
Lamp holder	Ceramic PCB
Light Source	CREE CMB1304 PrO9
Beam Angle	36°
Color Temperature	3000K
CRI ≥	90
Main Material	Aluminum
Wire connection way	Track Adaptor
Body Color	Black / Gold / Dark Gray / Nickel
Class	<input type="checkbox"/> I <input type="checkbox"/> II <input checked="" type="checkbox"/> III
Certificates	CE , ROHS



Flux out:362.1 lm

1m	1092,1624lx	62.28cm
2m	273.0,406.0lx	124.57cm
3m	121.3,180.5lx	186.85cm
4m	68.24,101.5lx	249.14cm
5m	43.67,64.96lx	311.42cm
6m	30.33,45.11lx	373.71cm
7m	22.28,33.15lx	435.99cm
8m	17.06,25.38lx	498.28cm
9m	13.48,20.05lx	560.56cm
10m	10.92,16.24lx	622.85cm

Height Eavg, Emax Angle:34.60deg Diameter

Note: The Curves indicate the illuminated area and the average illumination when the luminaire is at different distance.

Code T415 (GRY) T416 (NKL)

Input Voltage DC 48V

Power(Watts) 10.8W

Lumen 1252 lm

Lamp holder ceramic PCB

Light Source CREE CMB1306 Pr09

Beam Angle 30°

Color Temperature 3000K

CRI ≥ 90

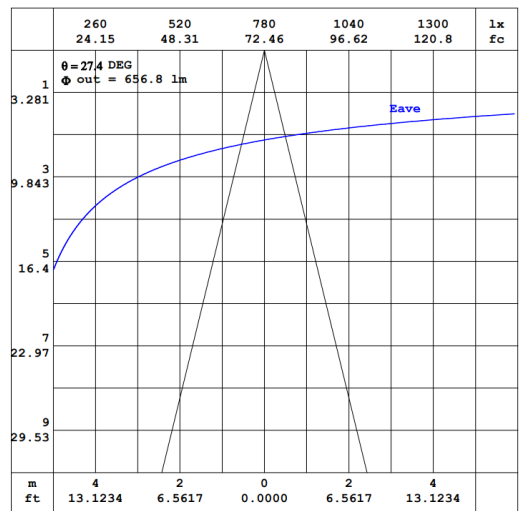
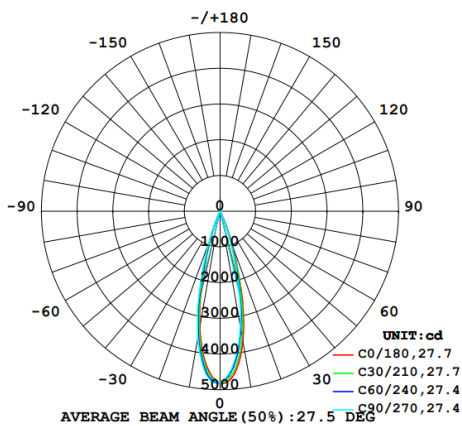
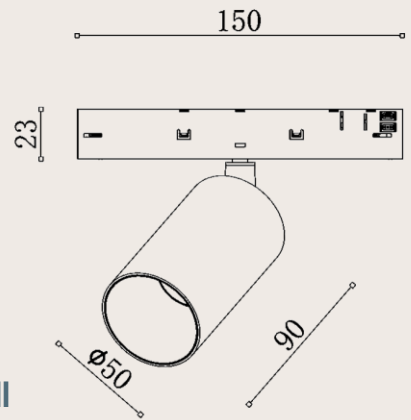
Main Material Aluminum

Body Color Dark Gray / Nickel

Wire connection way Track Adaptor

Class I II III

Certificates CE , ROHS



Note: The Curves indicate the illuminated area and the average illumination when the luminaire is at different distance.

Code T417 (GRY) T418 (NKL)

Curve Adaptor

Input Voltage DC 48V

Power(Watts) 10.8W

Lumen 1252lm

Lamp holder ceramic PCB

Light Source CREE CMB1306 Pr09

Beam Angle 30°

Color Temperature 3000K

CRI ≥ 90

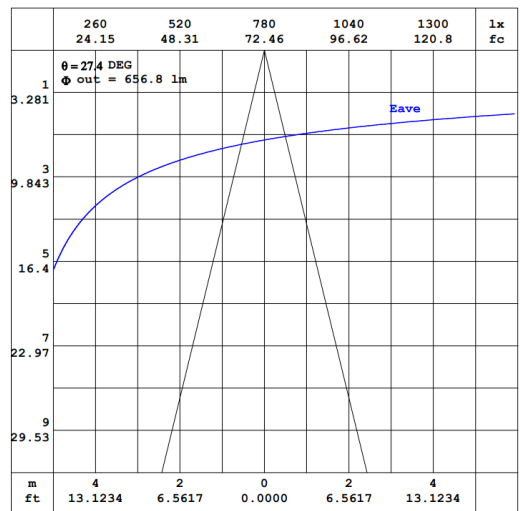
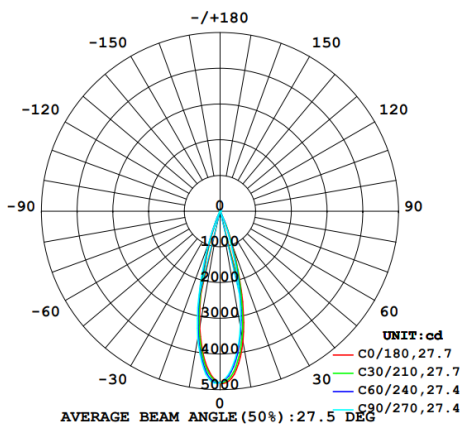
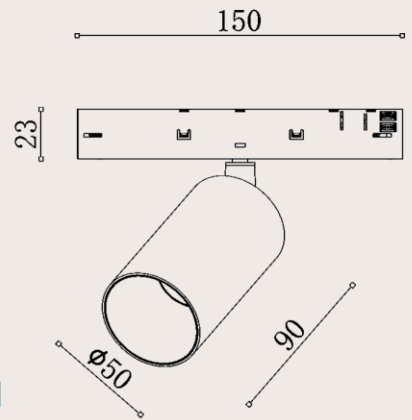
Main Material Aluminum

Body Color Dark Gray / Nickel

Wire connection way Track Adaptor

Class I II III

Certificates CE , ROHS



Note: The Curves indicate the illuminated area and the average illumination when the luminaire is at different distance.

Code T419 (GRY) T420 (NKL)

Curve Adaptor

Input Voltage DC 48V

Power(Watts) 18W

Lumen 2101.3lm

Lamp holder ceramic PCB

Light Source CREE CMB1310 Pr09

Beam Angle 30°

Color Temperature 3000K

CRI ≥ 90

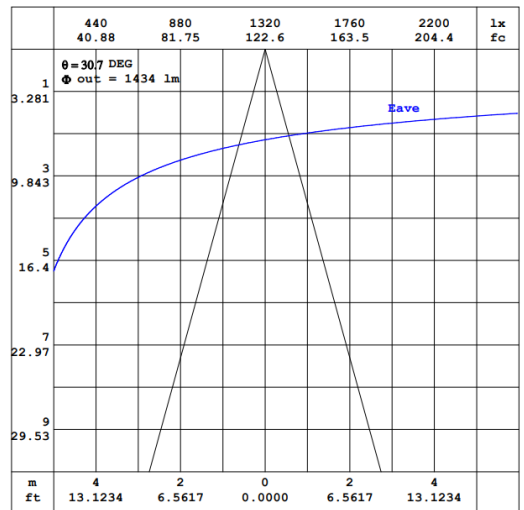
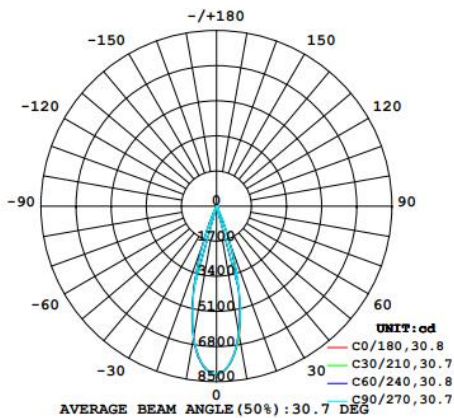
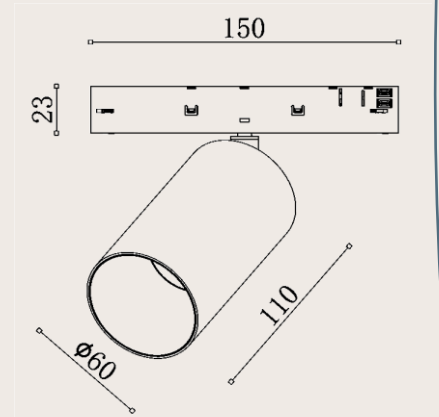
Main Material Aluminum

Body color Dark Gray / Nickel

Wire connection way Track Adaptor

Class I II III

Certificates CE , ROHS



Note: The Curves indicate the illuminated area and the average illumination when the luminaire is at different distance.

Code T432

Input Voltage DC 48V

Power(Watts) 4.5W

Lumen 327lm

Lamp holder ceramic PCB

Light Source Bridgelux 2835

Beam Angle 100°

Color Temperature 3000K

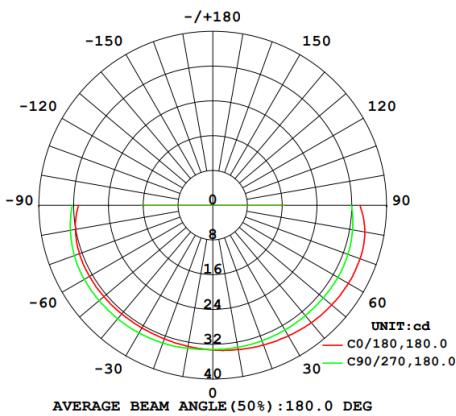
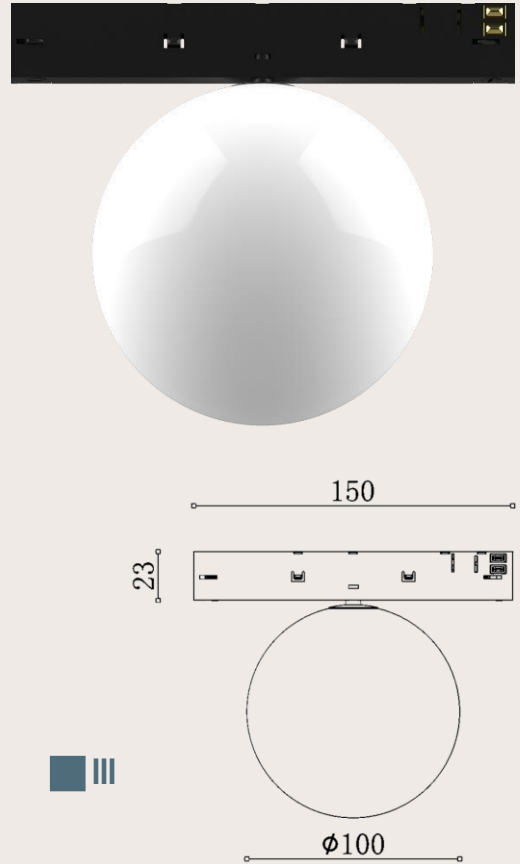
CRI ≥ 90

Main Material Aluminum

Wire connection way Track Adaptor

Class I II III

Certificates CE . ROHS



Flux out: 61.85 lm

Height	Eavg, Emax	Angle: 90.00deg	Diameter
1m	19.69, 33.331x		200.00cm
2m	4.922, 8.3321x		400.00cm
3m	2.188, 3.7031x		600.00cm
4m	1.231, 2.0831x		800.00cm
5m	0.7875, 1.3331x		1000.00cm
6m	0.5469, 0.92571x		1200.00cm
7m	0.4018, 0.68011x		1400.00cm
8m	0.3076, 0.52071x		1600.00cm
9m	0.2431, 0.41141x		1800.00cm
10m	0.1969, 0.33331x		2000.00cm

Note: The Curves indicate the illuminated area and the average illumination when the luminaire is at different distance.

Code T414

Input Voltage DC 48V

Power(Watts) 12W

Lumen 346lm

Lamp holder ceramic PCB

Light Source SMD2835

Color Temperature 3000K

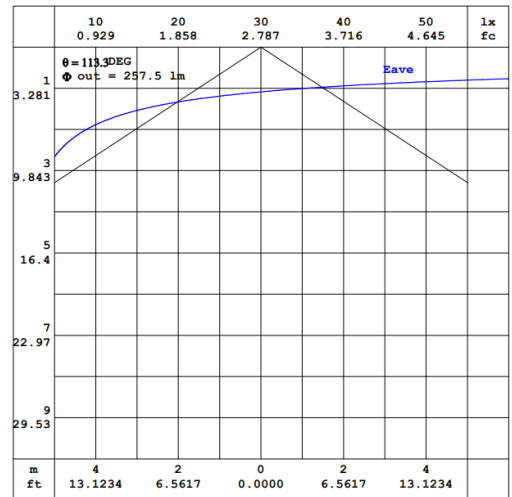
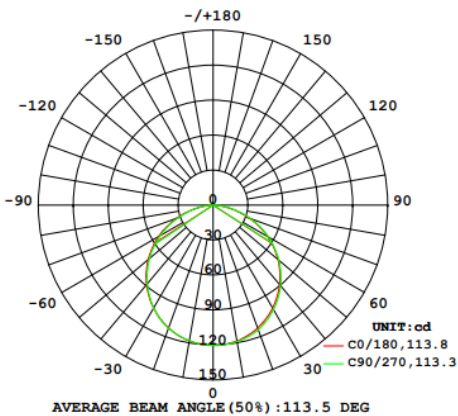
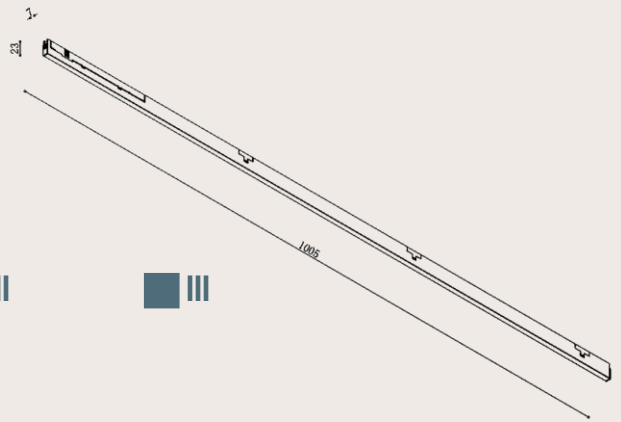
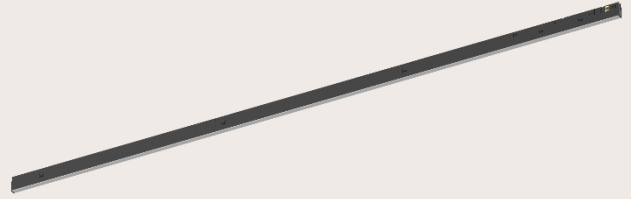
CRI \geq 90

Main Material Aluminum

Wire connection way Track Adaptor

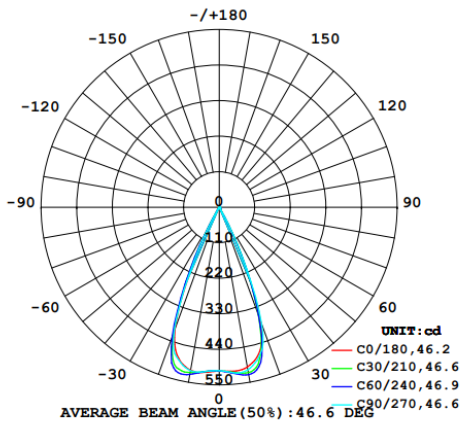
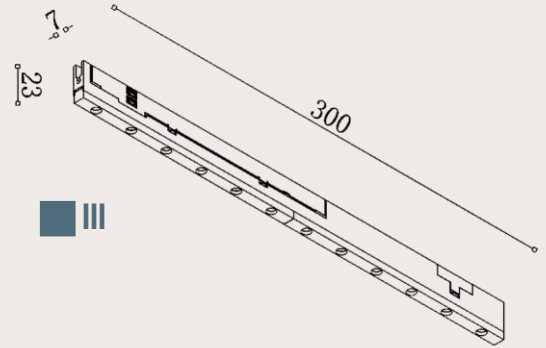
Class I II III

Certificates CE , ROHS



Note: The Curves indicate the illuminated area and the average illumination when the luminaire is at different distance.

Code	T421
Input Voltage	DC 48V
Power(Watts)	9W
Lumen	274lm
Lamp holder	flexible lamp belt
Light Source	LatticePower CSP1111
Color Temperature	3000K
CRI \geq	80
Main Material	Aluminum
Wire connection way	Track Adaptor
Class	<input type="checkbox"/> I <input type="checkbox"/> II <input checked="" type="checkbox"/> III
Certificates	CE , ROHS



Flux out:234.4 lm

Height	Eavg, Emax	Angle:46.17deg	Diameter
1m	376.4,511.3lx		85.24cm
2m	94.11,127.8lx		170.48cm
3m	41.82,56.81lx		255.73cm
4m	23.53,31.96lx		340.97cm
5m	15.06,20.45lx		426.21cm
6m	10.46,14.20lx		511.45cm
7m	7.682,10.43lx		596.69cm
8m	5.882,7.989lx		681.93cm
9m	4.647,6.312lx		767.18cm
10m	3.764,5.113lx		852.42cm

Note: The Curves indicate the illuminated area and the average illumination when the luminaire is at different distance.

Code T405

Input Voltage DC 48V

Power(Watts) 12W

Lamp holder LED strip – SMD2835

Lumen 446lm

Color Temperature 3000K

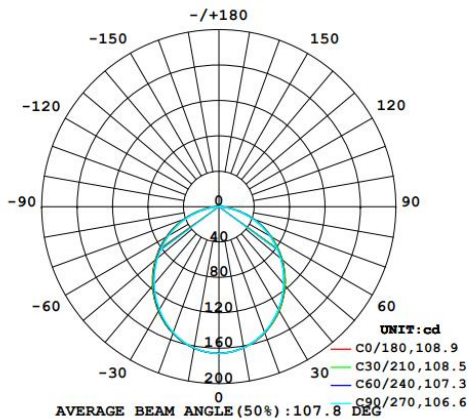
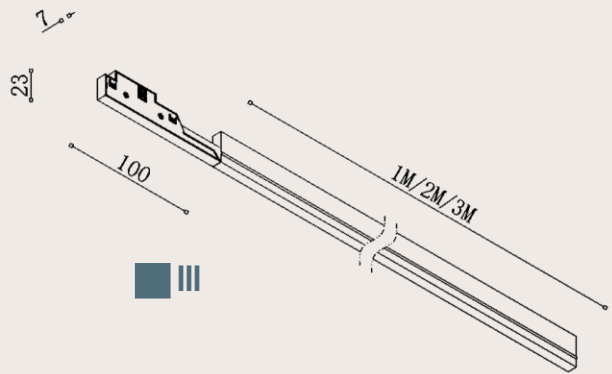
CRI \geq 90

Main Material Silica gel

Wire connection way Track Adaptor

Class I II III

Certificates CE . ROHS

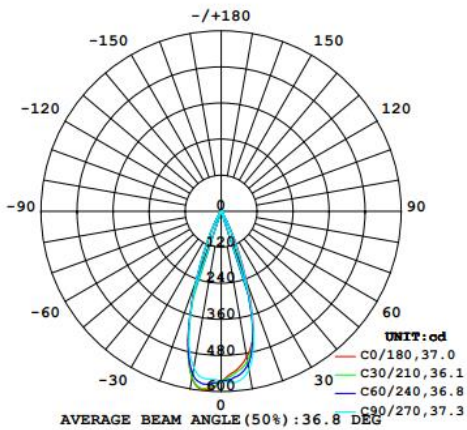
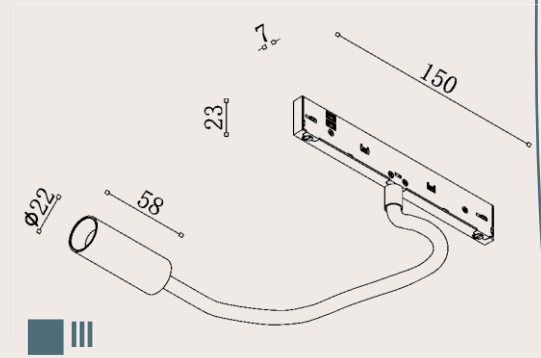


Flux out: 311.8 lm

Height	Eavg, Emax	Angle: 106.56deg	Diameter
1m	54.35, 165.71x		268.13cm
2m	13.59, 41.431x		536.25cm
3m	6.039, 18.411x		804.38cm
4m	3.397, 10.361x		1072.51cm
5m	2.174, 6.6291x		1340.63cm
6m	1.510, 4.6041x		1608.76cm
7m	1.109, 3.3821x		1876.89cm
8m	0.8492, 2.5901x		2145.01cm
9m	0.6710, 2.0461x		2413.14cm
10m	0.5435, 1.6571x		2681.27cm

Note: The Curves indicate the illuminated area and the average illumination when the luminaire is at different distance.

Code	T431
Input Voltage	DC 48V
Power(Watts)	2.1W
Lumen	222lm
Lamp holder	ceramic PCB
Light Source	CREE XPG-4
Beam Angle	36°
Color Temperature	3000K
CRI ≥	90
Main Material	Aluminum
Body color	Dark Gray
Wire connection way	Track Adaptor
Class	<input type="checkbox"/> I <input type="checkbox"/> II
Certificates	CE , ROHS



Flux out:148.2 lm

Height	Eavg, Emax	Angle:37.00deg	Diameter
1m	421.3,590.1lx		66.91cm
2m	105.3,147.5lx		133.82cm
3m	46.81,65.57lx		200.74cm
4m	26.33,36.88lx		267.65cm
5m	16.85,23.60lx		334.56cm
6m	11.70,16.39lx		401.47cm
7m	8.598,12.04lx		468.38cm
8m	6.583,9.22lx		535.29cm
9m	5.201,7.28lx		602.21cm
10m	4.213,5.90lx		669.12cm

Note: The Curves indicate the illuminated area and the average illumination when the luminaire is at different distance.



نوران
NOORAN