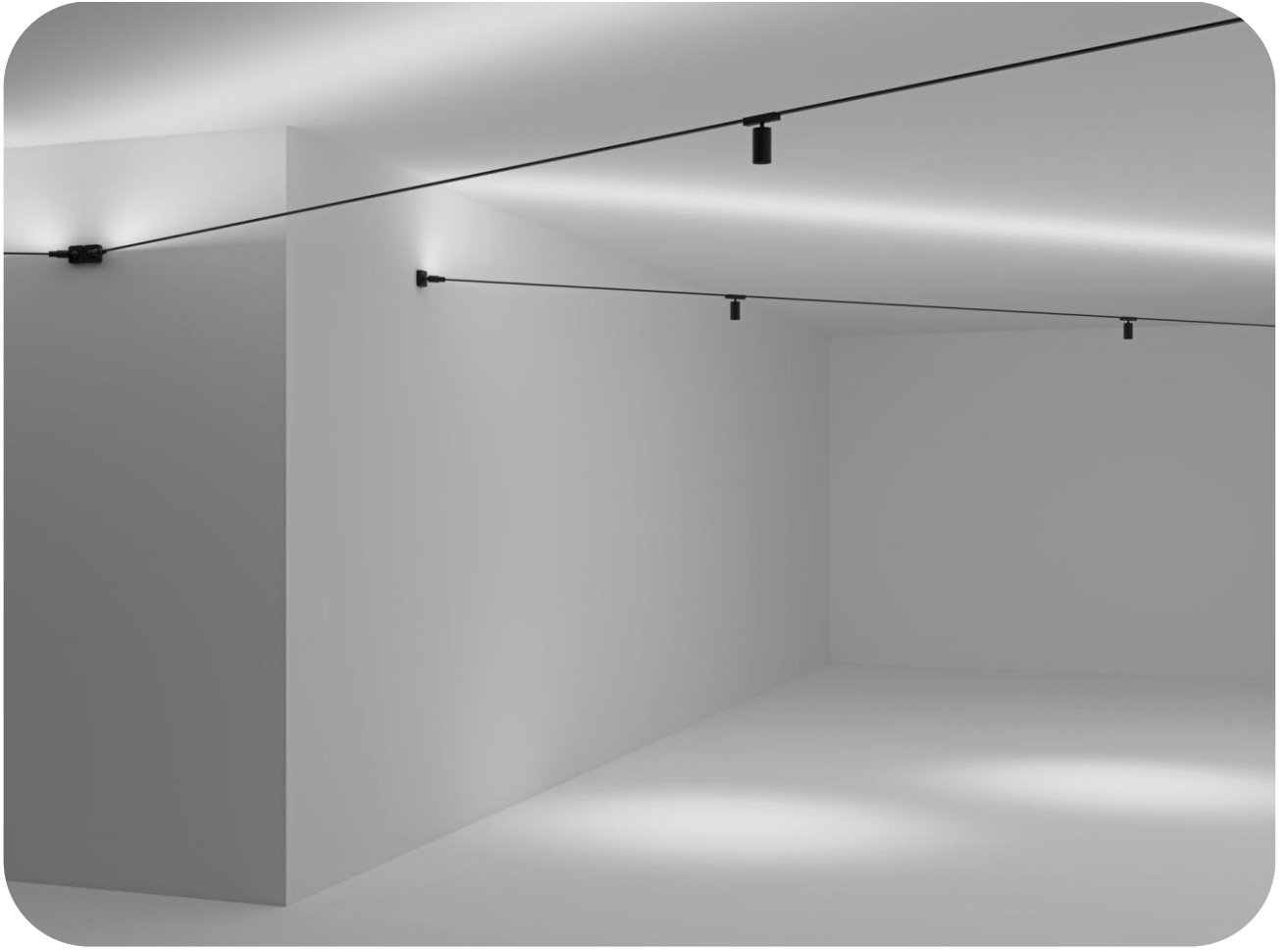




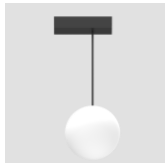
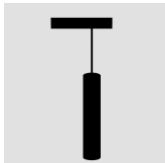
نوران
NOORAN

FLEX TRACK DATASHEET

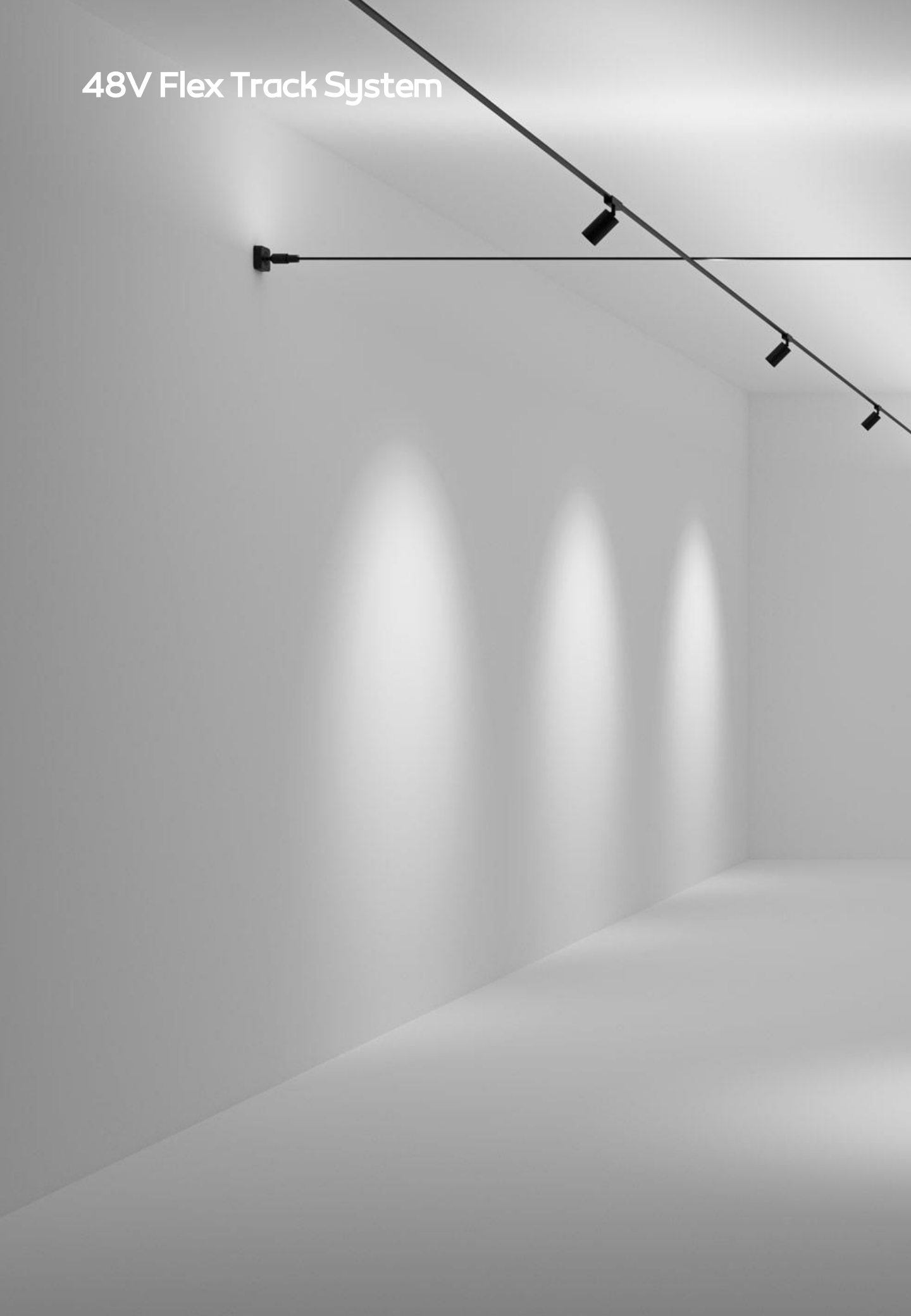
APR - 2026



Flex Track Light



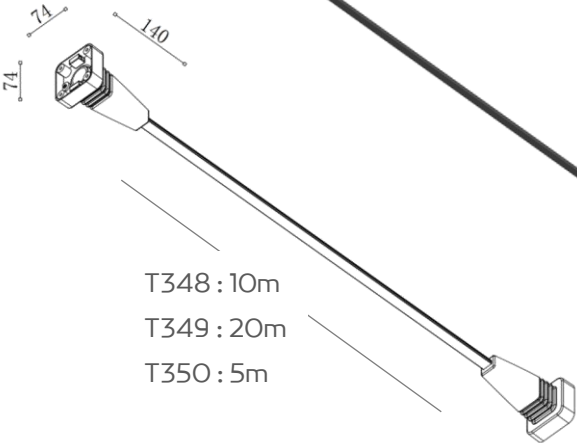
48V Flex Track System



Flex Tracks:

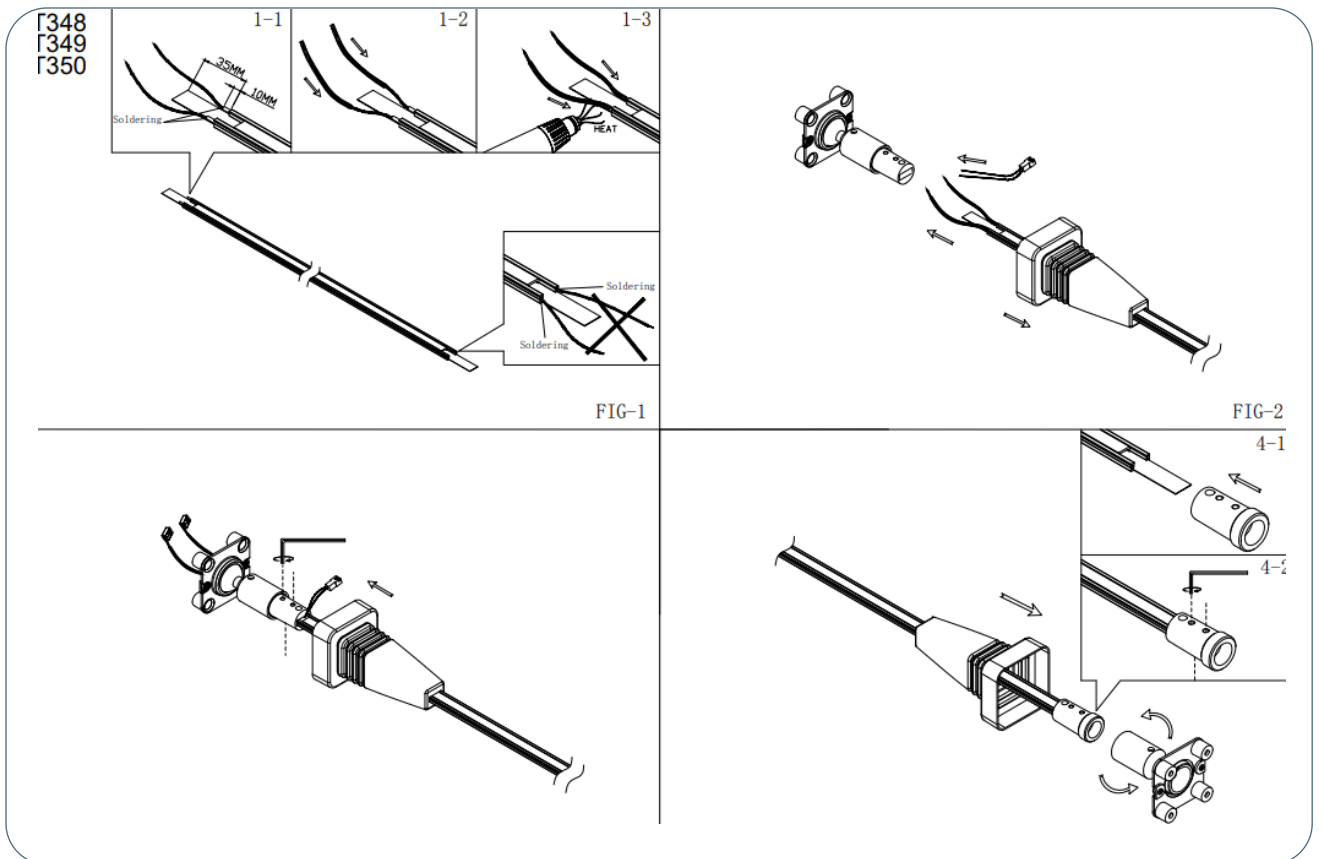


T351 (2pcs Hook)





Flex Track Installation Guide:



Flex Track Light

Flex Track Installation Guide:

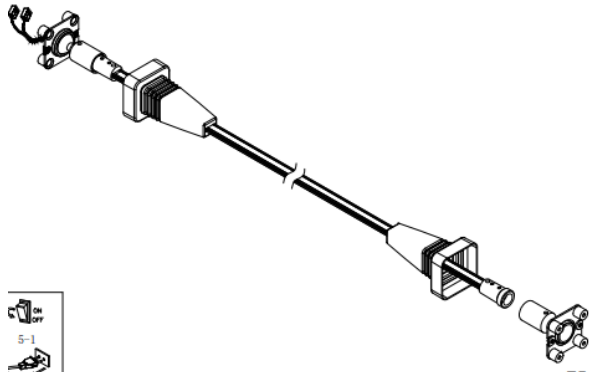


FIG-5

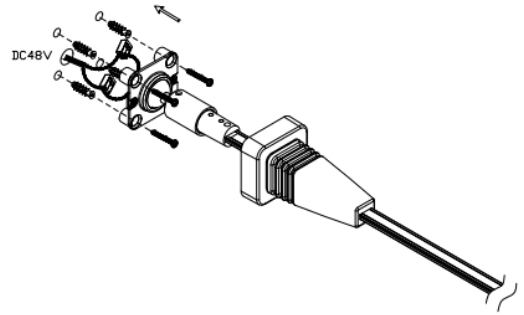


FIG-6

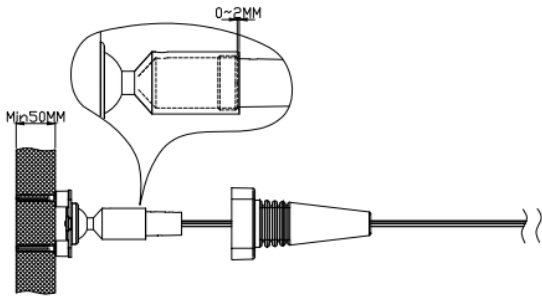


FIG-7

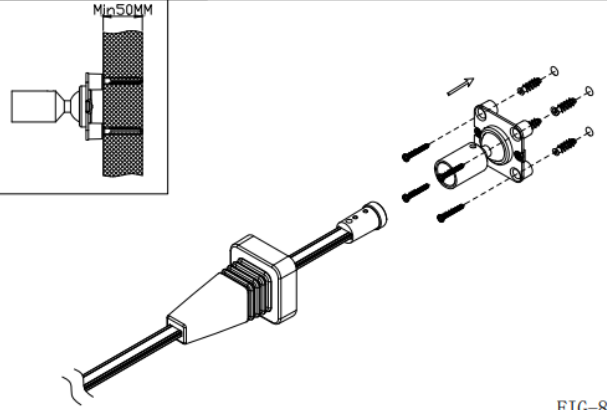


FIG-8

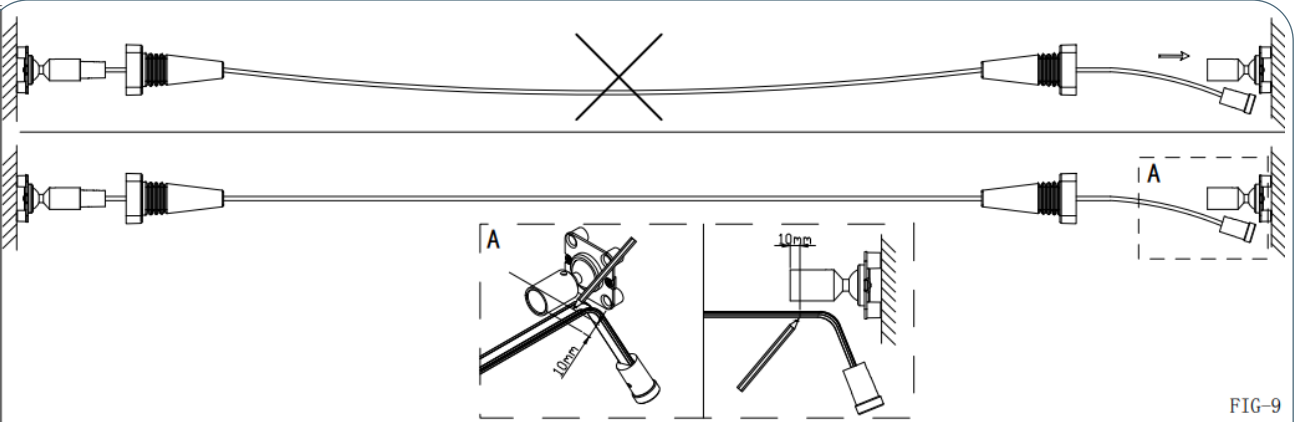


FIG-9

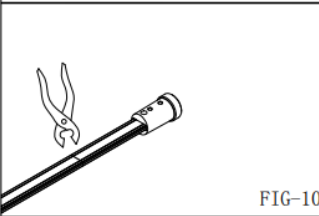


FIG-10

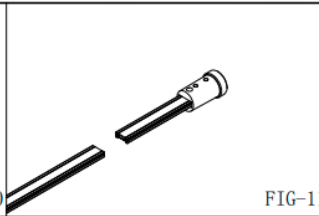


FIG-11

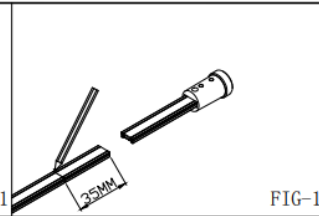


FIG-12

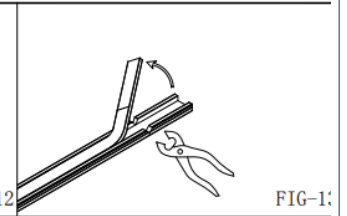


FIG-13

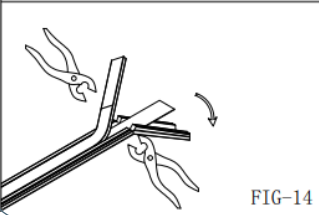


FIG-14

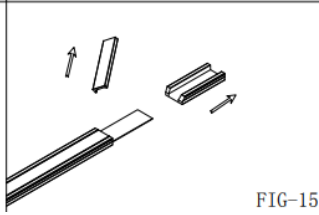


FIG-15

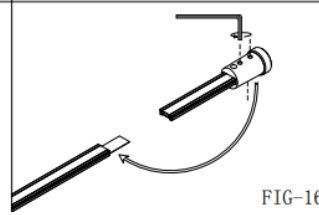


FIG-16

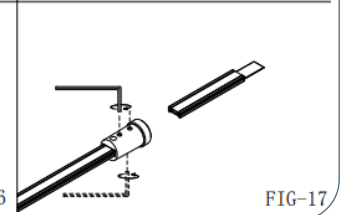
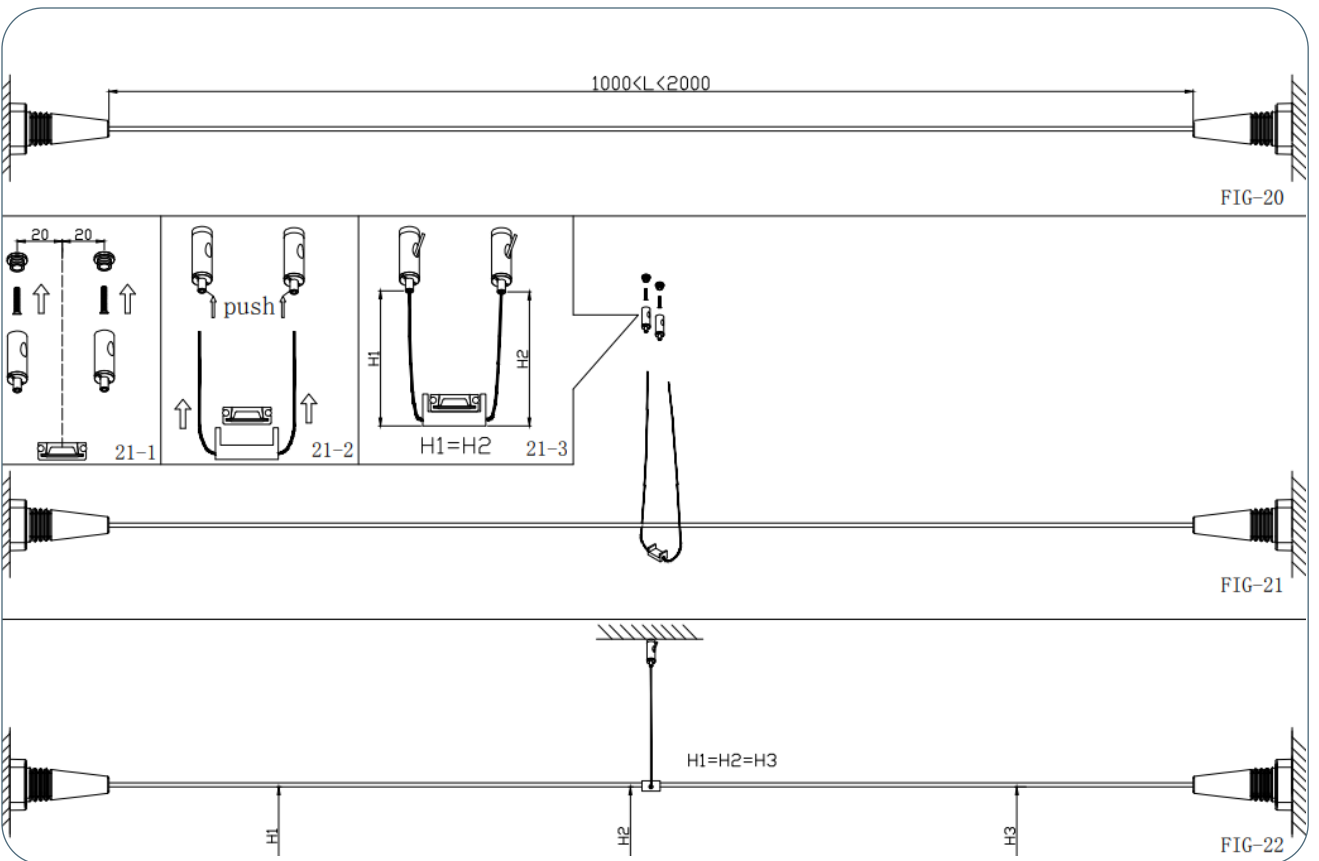
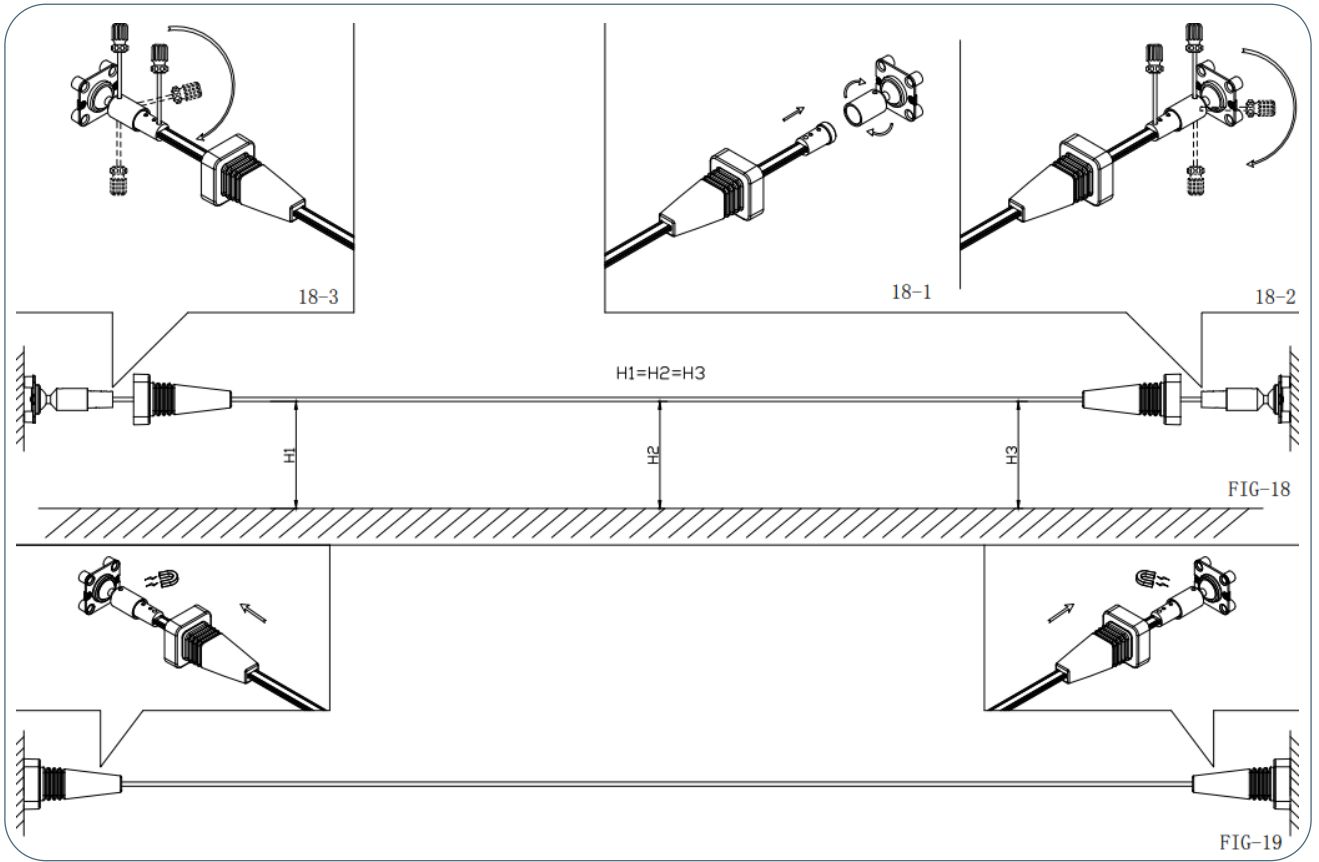
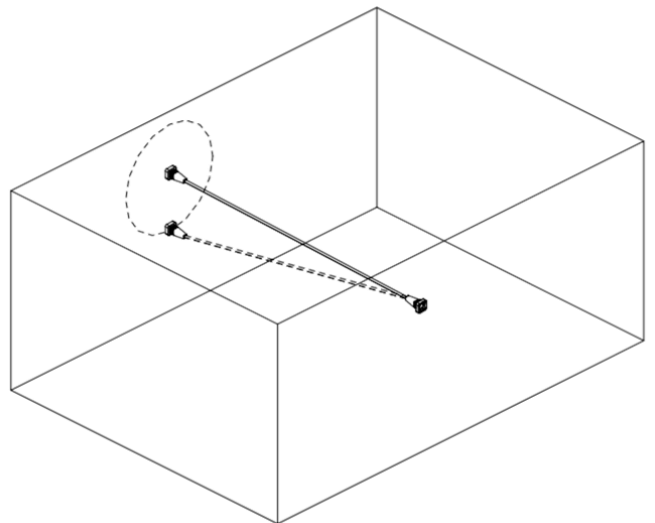
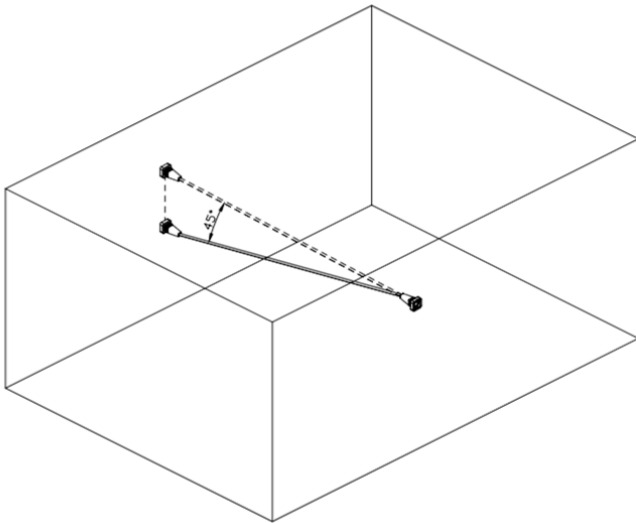
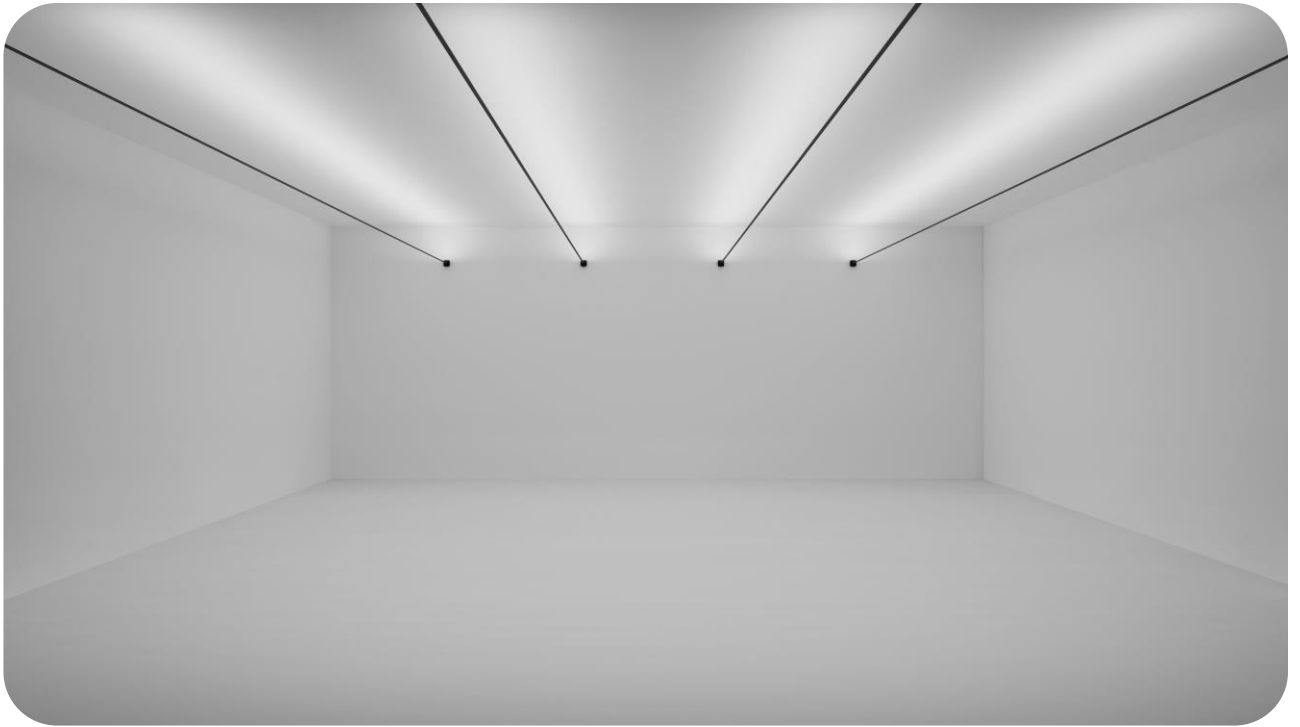


FIG-17

Flex Track Installation Guide:

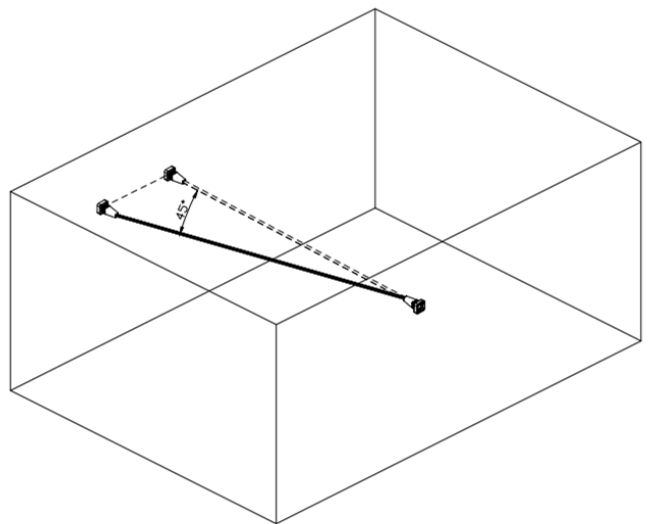
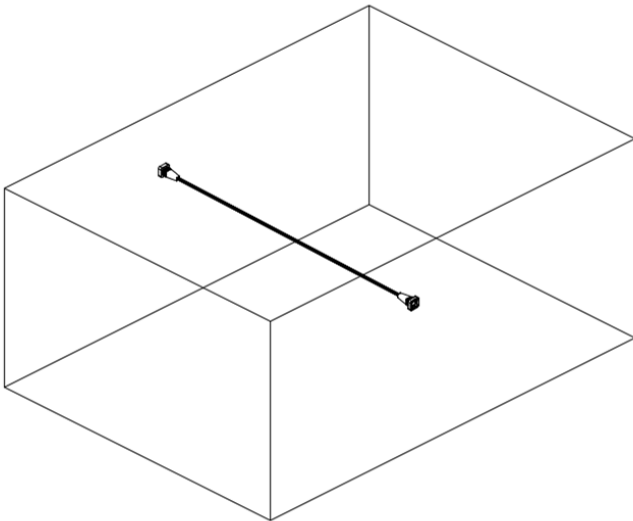
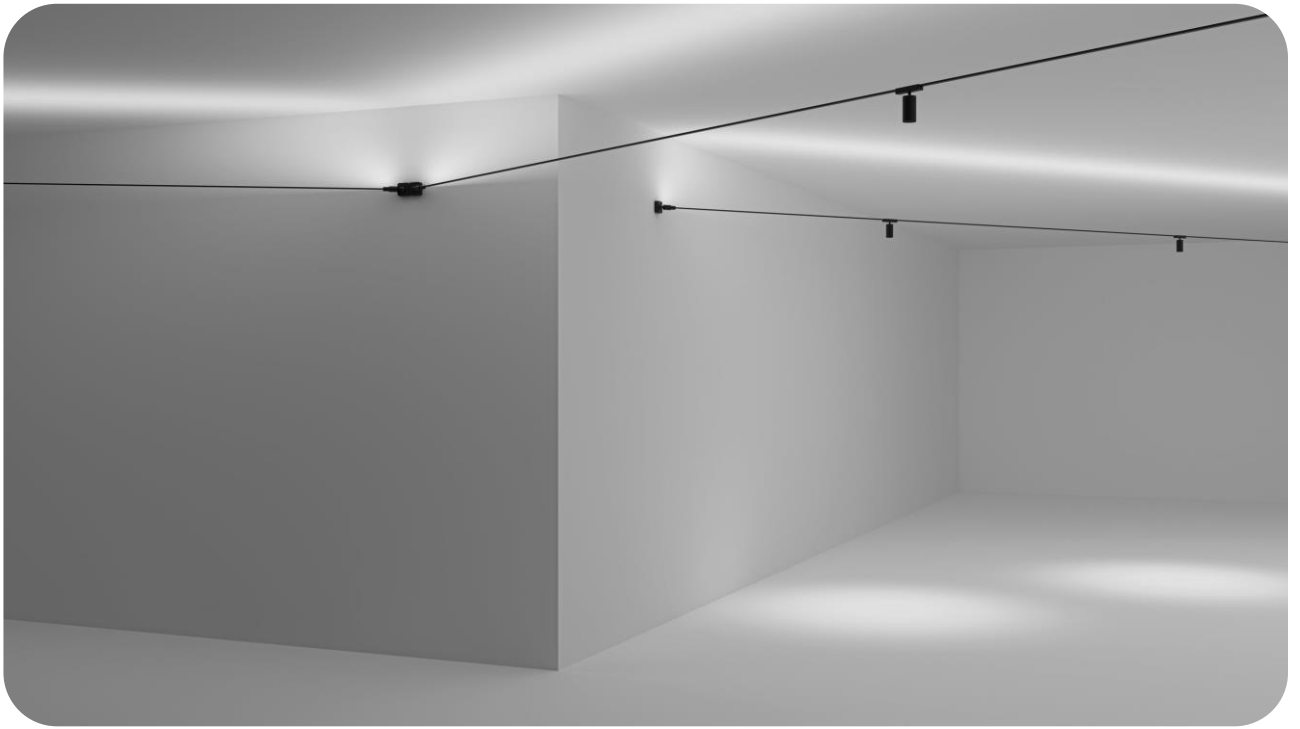


Wall to Wall Installation:

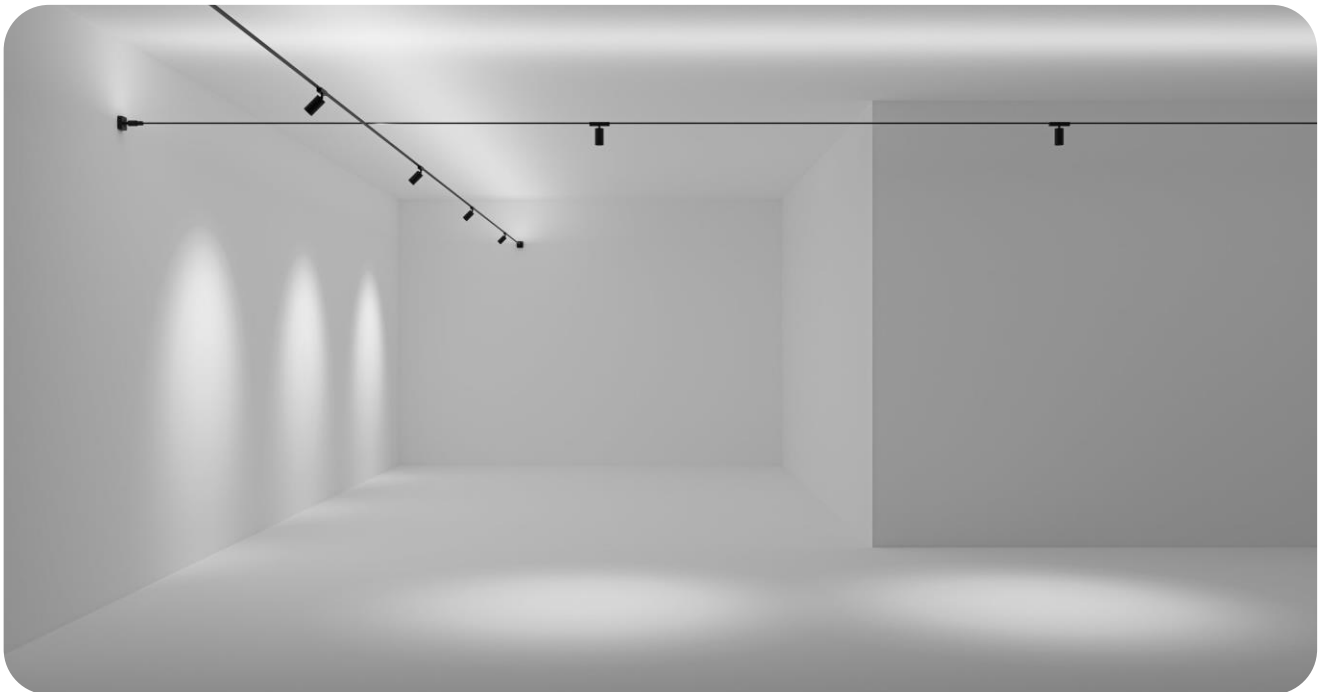
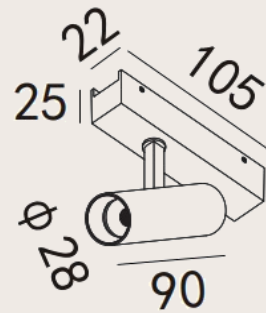


Flex Track Light

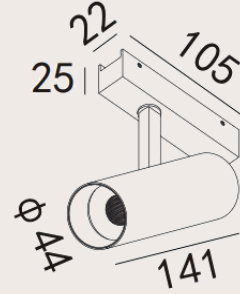
Wall to Wall Installation:



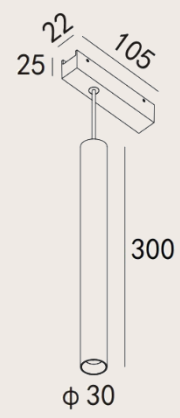
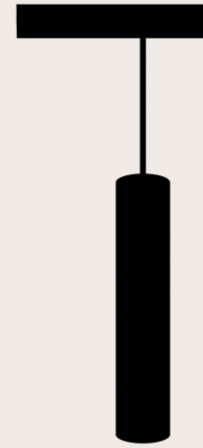
Code	T354
Input Voltage	DC 48V
Power(Watts)	7W
Lumen	452.4lm
Beam Angle	Bridgelux BXKC
Light Source	36°
Color Temperature	3000K
CRI ≥	90
IP level	IP20
Main Material	Aluminum
Body Color	Black
Class	<input type="checkbox"/> I <input type="checkbox"/> II <input checked="" type="checkbox"/> III



Code	T355
Input Voltage	DC 48V
Power(Watts)	13W
Lumen	1035lm
Beam Angle	Bridgelux BXKC
Light Source	30°
Color Temperature	3000K
CRI ≥	90
IP level	IP20
Main Material	Aluminum
Body Color	Black
Class	<input type="checkbox"/> I <input type="checkbox"/> II <input checked="" type="checkbox"/> III

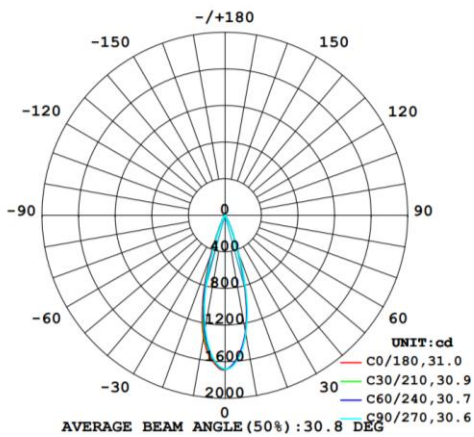


Code	T352
Input Voltage	DC 48V
Power(Watts)	7W
Lumen	452lm
Beam Angle	Bridgelux BXKC
Light Source	36°
Color Temperature	3000K
CRI ≥	90
IP level	IP20
Main Material	Aluminum
Body Color	Black
Class	<input type="checkbox"/> I <input type="checkbox"/> II <input checked="" type="checkbox"/> III



Optic Data

Luminous Intensity Distribution Curve

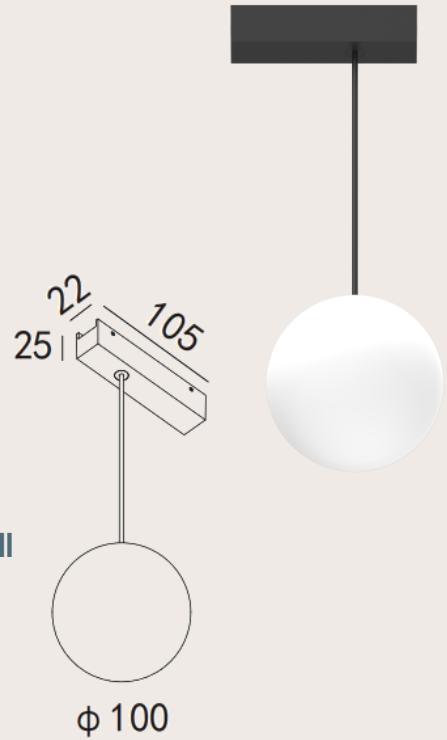


Flux out: 295.0 lm

Height	Eavg, Emax	Angle: 30.45deg	Diameter
1m	1142, 1689lx		54.44cm
2m	285.5, 422.4lx		108.88cm
3m	126.9, 187.7lx		163.32cm
4m	71.39, 105.6lx		217.77cm
5m	45.69, 67.58lx		272.21cm
6m	31.73, 46.93lx		326.65cm
7m	23.31, 34.48lx		381.09cm
8m	17.85, 26.40lx		435.53cm
9m	14.10, 20.86lx		489.97cm
10m	11.42, 16.89lx		544.42cm

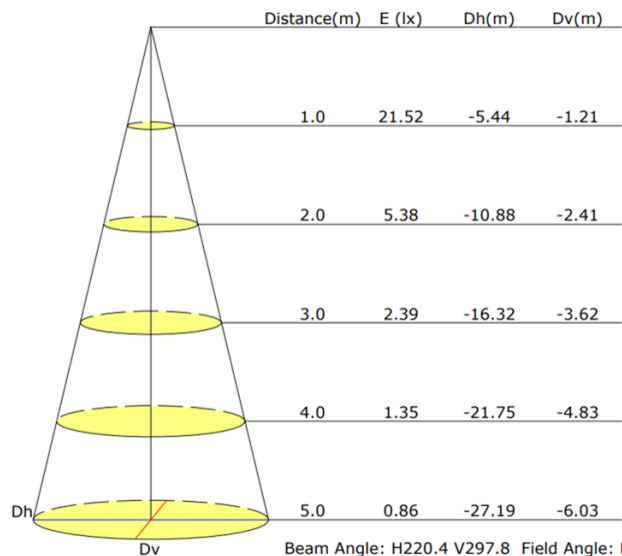
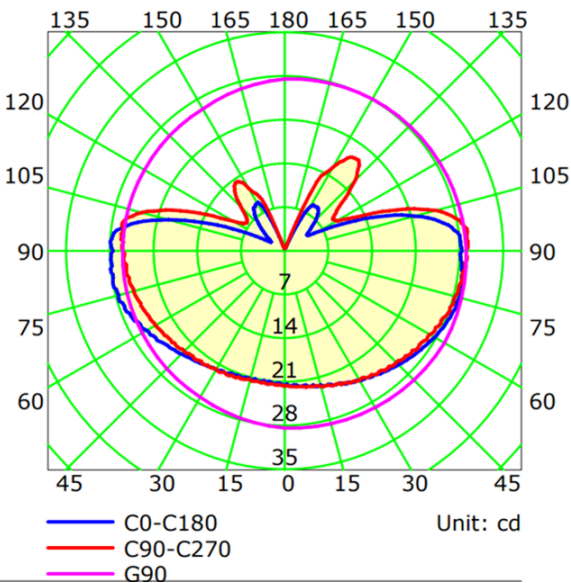
Note: The Curves indicate the illuminated area and the average illumination when the luminaire is at different distance.

Code	T353
Input Voltage	DC 48V
Power(Watts)	4.5W
Lumen	247lm
Light Source	Bridgelux 2835
Beam Angle	298°
Color Temperature	3000K
CRI ≥	90
IP level	IP20
Main Material	Aluminum
Body Color	Black
Class	<input type="checkbox"/> I <input type="checkbox"/> II <input checked="" type="checkbox"/> III

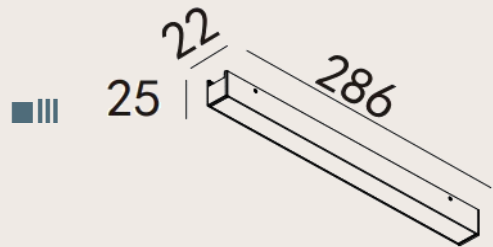
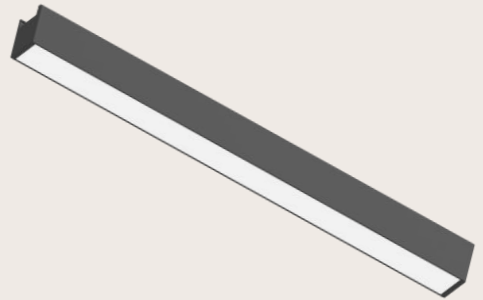


Optic Data

Luminous Intensity Distribution Curve

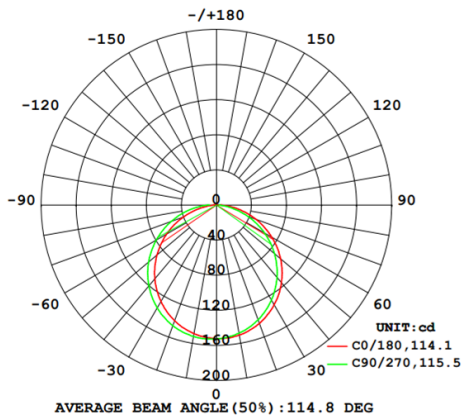


Code	T356
Input Voltage	DC 48V
Power(Watts)	8W
Lumen	453lm
Beam Angle	Bridgelux 2835
Light Source	115°
Color Temperature	3000K
CRI ≥	90
IP level	IP20
Main Material	Aluminum
Body Color	Black
Class	<input type="checkbox"/> I <input type="checkbox"/> II <input checked="" type="checkbox"/> III



Optic Data

Luminous Intensity Distribution Curve

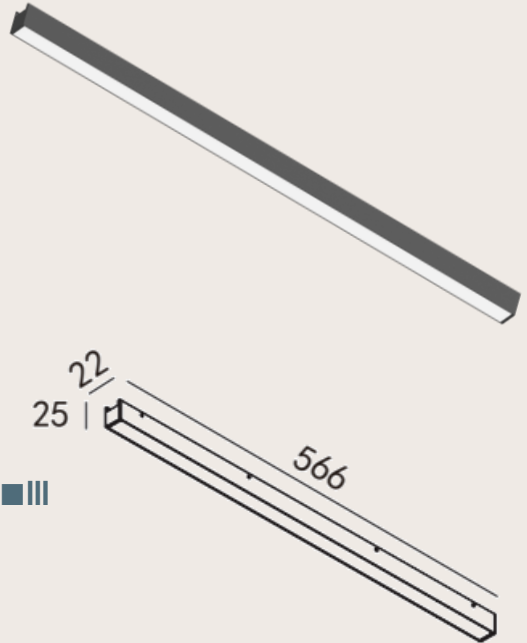


Flux out: 334.4 lm

Height	Eavg, Emax	Angle: 114.14deg	Diameter
1m	41.56, 152.61x		308.79cm
2m	10.39, 38.161x		617.59cm
3m	4.618, 16.961x		926.38cm
4m	2.598, 9.5391x		1235.17cm
5m	1.662, 6.1051x		1543.97cm
6m	1.154, 4.2401x		1852.76cm
7m	0.8482, 3.1151x		2161.55cm
8m	0.6494, 2.3851x		2470.35cm
9m	0.5131, 1.8841x		2779.14cm
10m	0.4156, 1.5261x		3087.93cm

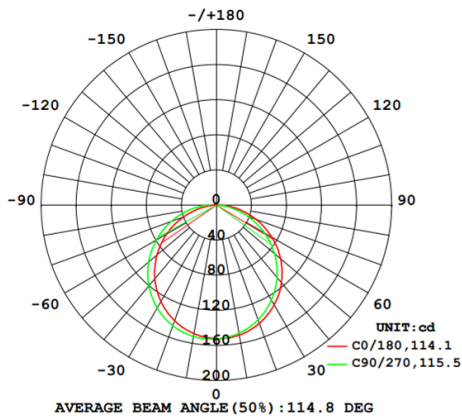
Note: The Curves indicate the illuminated area and the average illumination when the luminaire is at different distance.

Code	T357
Input Voltage	DC 48V
Power(Watts)	16W
Lumen	897lm
Beam Angle	Bridgelux 2835
Light Source	110°
Color Temperature	3000K
CRI ≥	90
IP level	IP20
Main Material	Aluminum
Body Color	Black
Class	<input type="checkbox"/> I <input type="checkbox"/> II <input checked="" type="checkbox"/> III



Optic Data

Luminous Intensity Distribution Curve

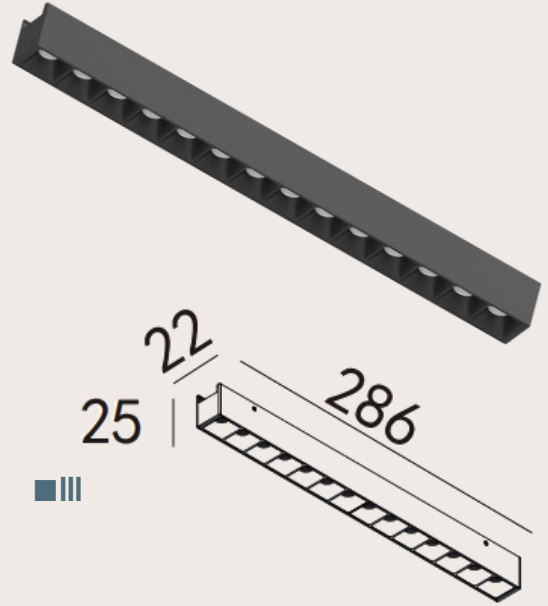


Flux out: 334.4 lm

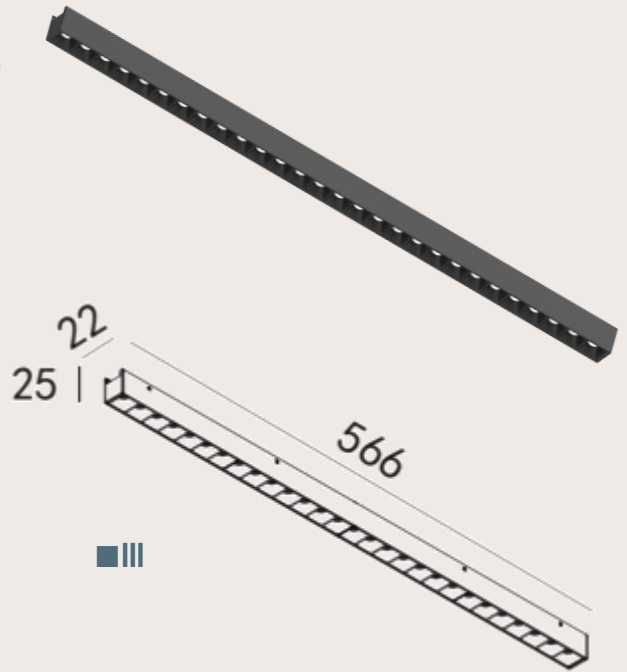
Height	Eavg, Emax	Angle: 114.14deg	Diameter
1m	41.56, 152.61x		308.79cm
2m	10.39, 38.161x		617.59cm
3m	4.618, 16.961x		926.38cm
4m	2.598, 9.5391x		1235.17cm
5m	1.662, 6.1051x		1543.97cm
6m	1.154, 4.2401x		1852.76cm
7m	0.8482, 3.1151x		2161.55cm
8m	0.6494, 2.3851x		2470.35cm
9m	0.5131, 1.8841x		2779.14cm
10m	0.4156, 1.5261x		3087.93cm

Note: The Curves indicate the illuminated area and the average illumination when the luminaire is at different distance.

Code	T358
Input Voltage	DC 48V
Power(Watts)	14x0.57W (8W)
Lumen	595lm
Beam Angle	CREE 3030
Light Source	30°
Color Temperature	3000K
CRI ≥	90
IP level	IP20
Main Material	Aluminum
Body Color	Black
Class	<input type="checkbox"/> I <input type="checkbox"/> II <input checked="" type="checkbox"/> III



Code	T359
Input Voltage	DC 48V
Power(Watts)	28x0.57W (16W)
Lumen	1472lm
Beam Angle	CREE 3030
Light Source	30°
Color Temperature	3000K
CRI ≥	90
IP level	IP20
Main Material	Aluminum
Body Color	Black
Class	<input type="checkbox"/> I <input type="checkbox"/> II <input checked="" type="checkbox"/> III





نوران
NOORAN