



نوران  

---

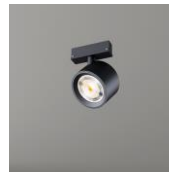
NOORAN

LINEAR TRACK DATASHEET

APR - 2026



## Linear Profile Light

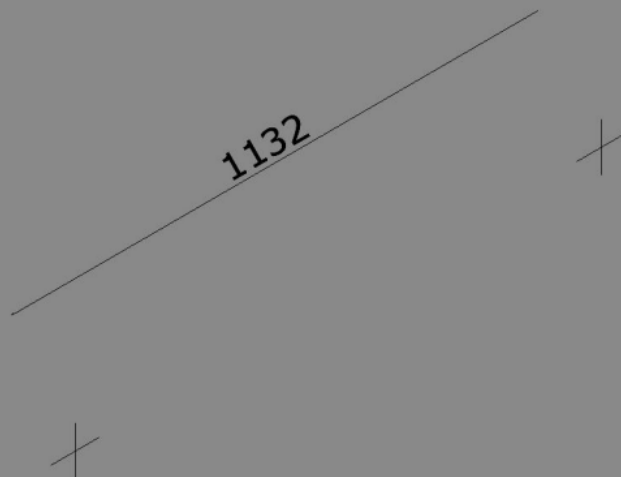


# 48V Linear System



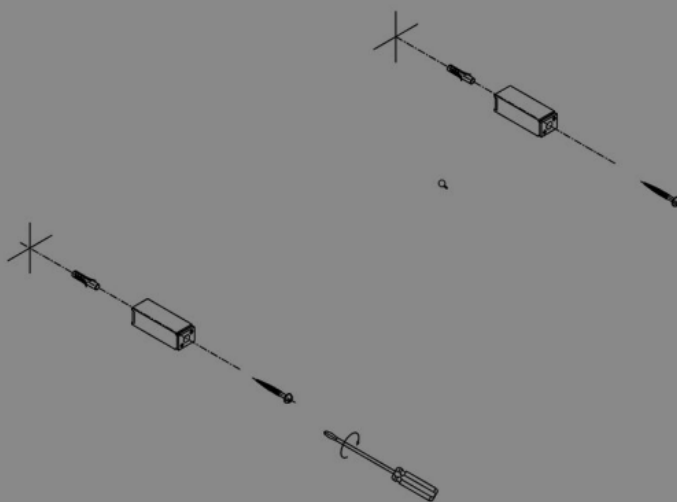
# Linear Profile Track Installation Guide:

## Step 1



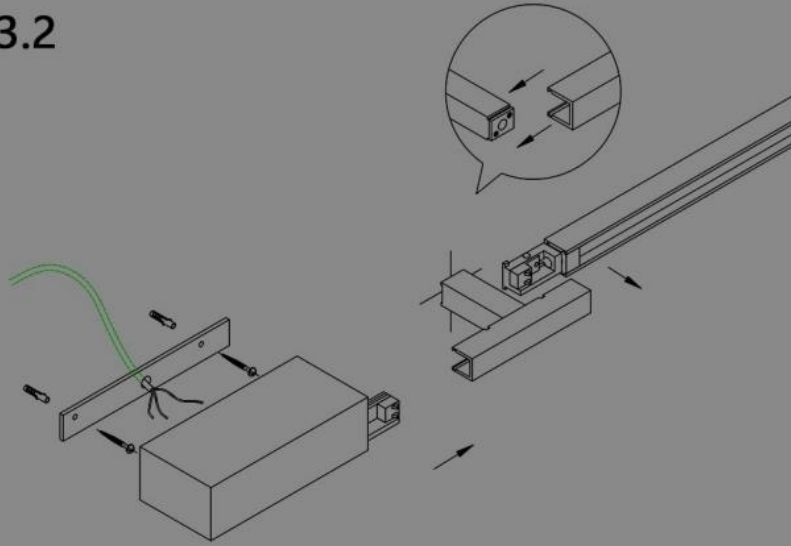
Positioning

## Step 2



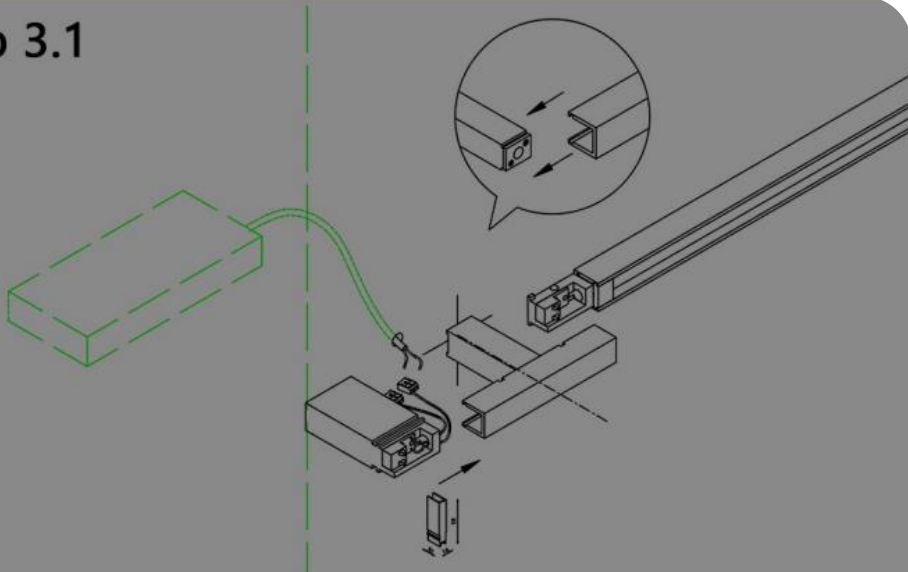
Installing and fixing the  
support post into the wall or the ceiling

### Step 3.2



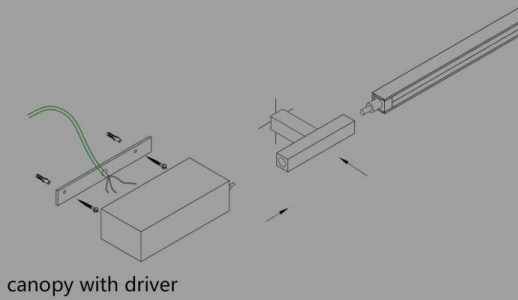
connecting the profile or  
arm-light with the connector by inserting

### Step 3.1



connecting the connector  
with the support post by inserting

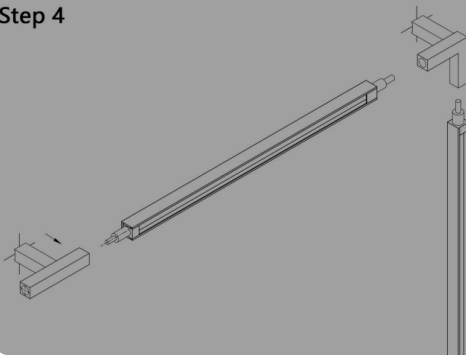
### Step 3



The installation with the driver surface mounted ( in the canopy) on the wall or ceiling

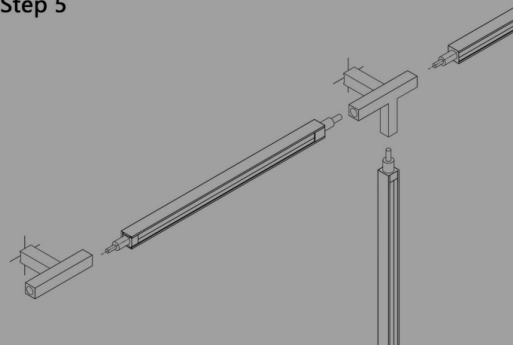
- 1, connecting the connector with the support post by inserting;
- 2, connecting the profile or arm-light with the connector by inserting;
- 3, positioning and fixing the canopy (which contains the driver) on the wall or ceiling;

### Step 4



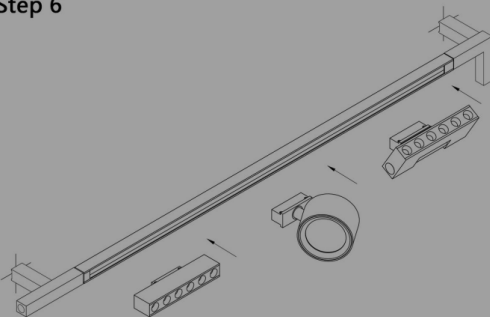
The way how to install with the elbow connector

### Step 5



The way how to install with the tri-connector

### Step 6


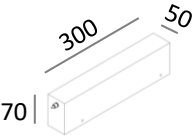



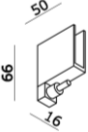

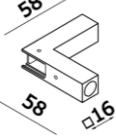

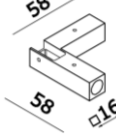

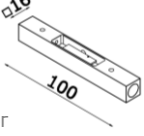


Installing the spots into the profile by inserting

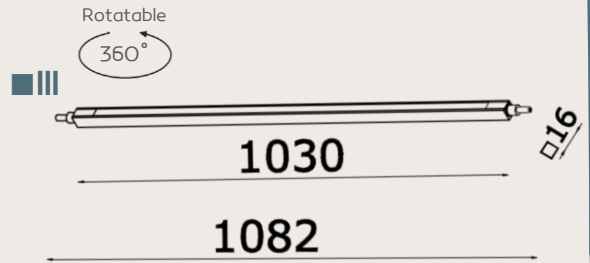
# Linear Profile Tracks:



# Linear Profile Parts:

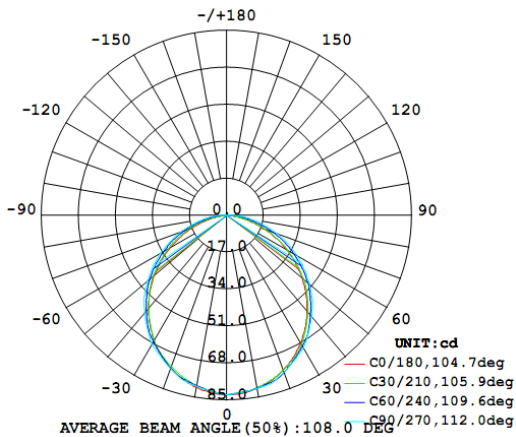
	Line Drawing	Item Code	Dimension(mm)	Color
		LC179	300x100	Black
		LC180	18X16X57	Black
		LC181	16X50X66	Black
		LC182	58X58X16	Black
		LC183	58X58X16	Black
		LC184	16X16X100	Black

<b>Code</b>	LC188
<b>Input Voltage</b>	DC 48V
<b>Power(Watts)</b>	12.6W
<b>Lumen</b>	221.9lm
<b>Beam Angle</b>	108°
<b>Light Source</b>	TEEN LED
<b>Color Temperature</b>	3000K
<b>CRI ≥</b>	90
<b>IP level</b>	IP20
<b>Main Material</b>	Aluminum
<b>Body Color</b>	Black
<b>Class</b>	□ I      □ II      ■ III

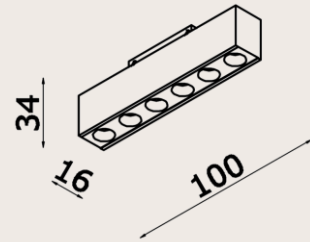


## Optic Data

### Luminous Intensity Distribution Curve

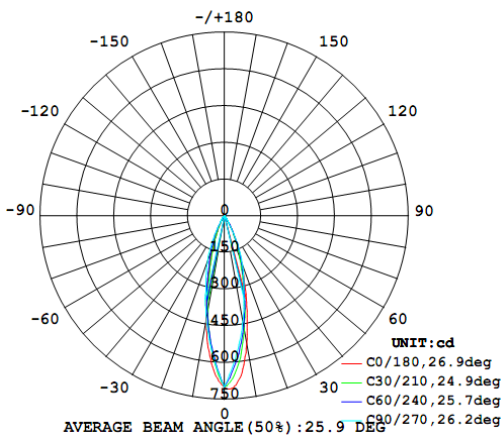


<b>Code</b>	LC189
<b>Input Voltage</b>	DC 48V
<b>Power(Watts)</b>	6x0.6 W (4W)
<b>Lumen</b>	193.5lm
<b>Beam Angle</b>	25°
<b>Light Source</b>	Osram LED
<b>Color Temperature</b>	3000K
<b>CRI ≥</b>	90
<b>IP level</b>	IP20
<b>Main Material</b>	Aluminum
<b>Body Color</b>	Black
<b>Class</b>	<input type="checkbox"/> I <input type="checkbox"/> II <input checked="" type="checkbox"/> III

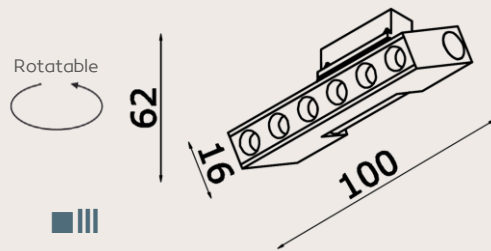


## Optic Data

### Luminous Intensity Distribution Curve

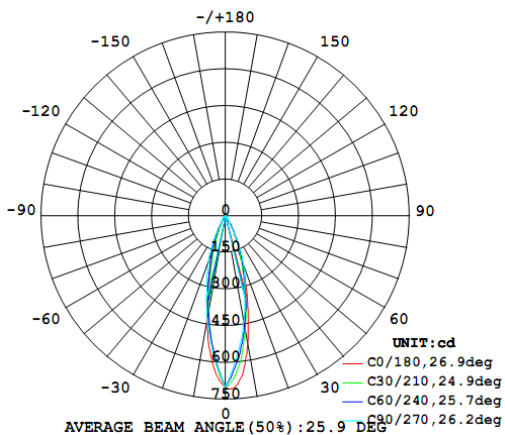


<b>Code</b>	LC192 (Spot Rotational)
<b>Input Voltage</b>	DC 48V
<b>Power(Watts)</b>	6x0.6 W (4W)
<b>Lumen</b>	193.5lm
<b>Beam Angle</b>	25°
<b>Light Source</b>	Osram LED
<b>Color Temperature</b>	3000K
<b>CRI ≥</b>	90
<b>IP level</b>	IP20
<b>Main Material</b>	Aluminum
<b>Body Color</b>	Black
<b>Class</b>	<input type="checkbox"/> I <input type="checkbox"/> II <input checked="" type="checkbox"/> III

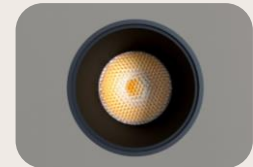
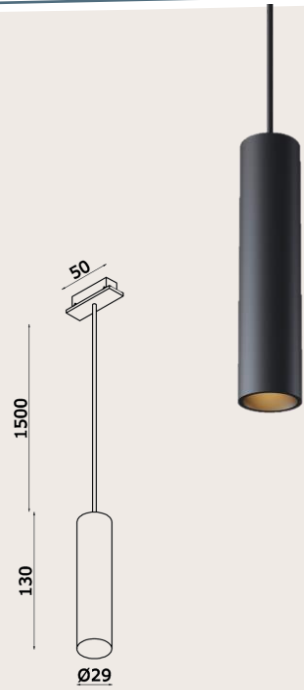


## Optic Data

### Luminous Intensity Distribution Curve

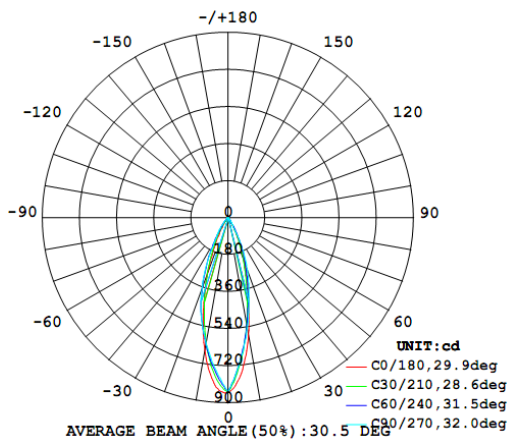


<b>Code</b>	LC190
<b>Input Voltage</b>	DC 48V
<b>Power(Watts)</b>	5.4W
<b>Lumen</b>	292.4lm
<b>Beam Angle</b>	30°
<b>Light Source</b>	TEEN LED
<b>Color Temperature</b>	3000K
<b>CRI ≥</b>	90
<b>IP level</b>	IP20
<b>Main Material</b>	Aluminum
<b>Body Color</b>	Black
<b>Class</b>	<input type="checkbox"/> I <input type="checkbox"/> II <input checked="" type="checkbox"/> III



## Optic Data

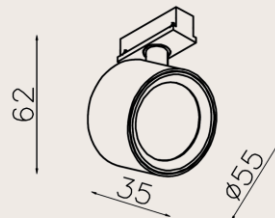
### Luminous Intensity Distribution Curve



<b>Code</b>	LC191 (180 ° Rotational)
<b>Input Voltage</b>	DC 48V
<b>Power(Watts)</b>	5W
<b>Lumen</b>	477.9lm
<b>Beam Angle</b>	19°
<b>Light Source</b>	TEEN LED
<b>Color Temperature</b>	3000K
<b>CRI ≥</b>	90
<b>IP level</b>	IP20
<b>Main Material</b>	Aluminum
<b>Body Color</b>	Black
<b>Class</b>	□ I      □ II      ■ III

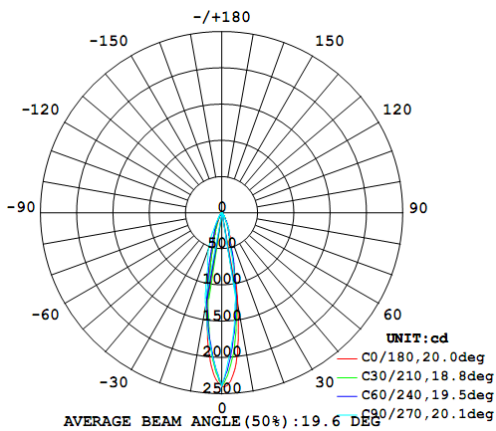


Adjustable Beam Angle



## Optic Data

### Luminous Intensity Distribution Curve











نوران  
NOORAN