



نوران  
NOORAN

MULTI TRACK DATASHEET

APR - 2026

# Multi Track Light





Multi Track Light



# Description of Accessories

## Round Profile ▶



Diameter	Code No.	Color
2m	T192	White
	T193	Black
3m	T194	White
	T195	Black

## Track Installation Connectors & Accessories ▶



T173 (BLK) – 600mm cable  
T202 (WHT) – 600mm cable



T176 (BLK)  
T203 (WHT)

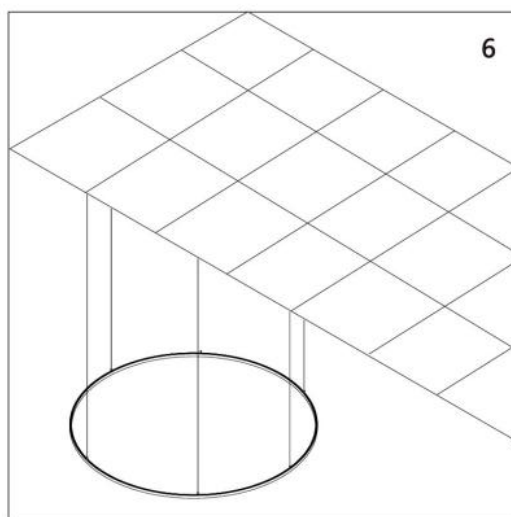
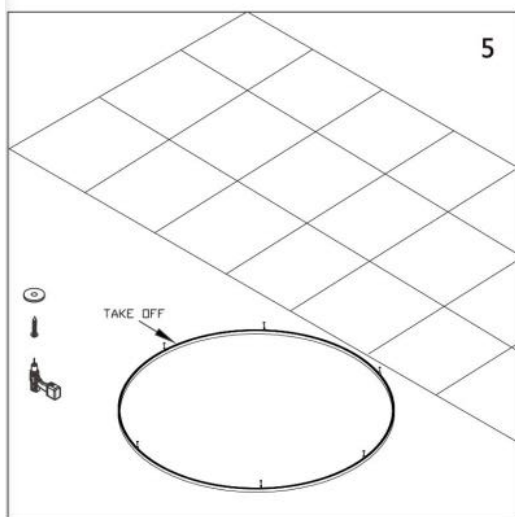
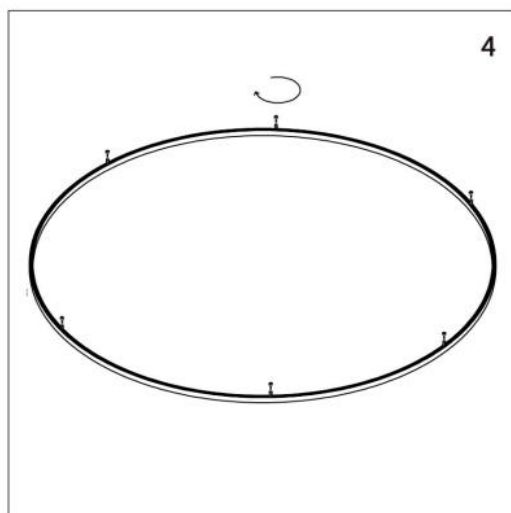
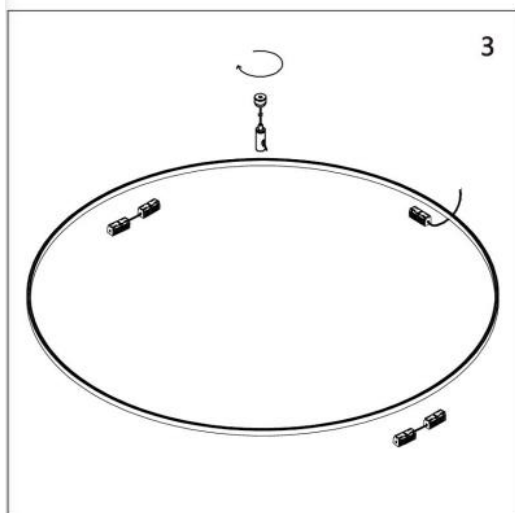
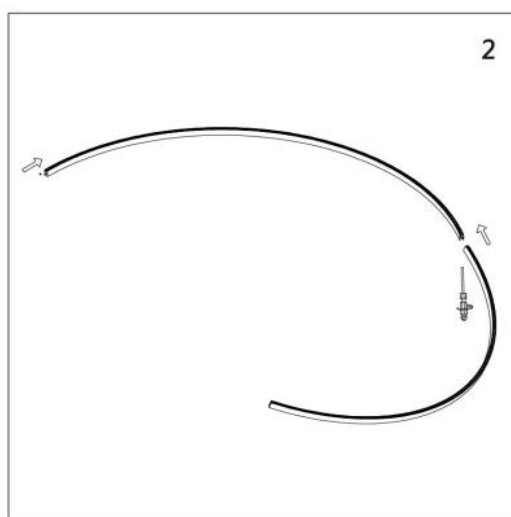
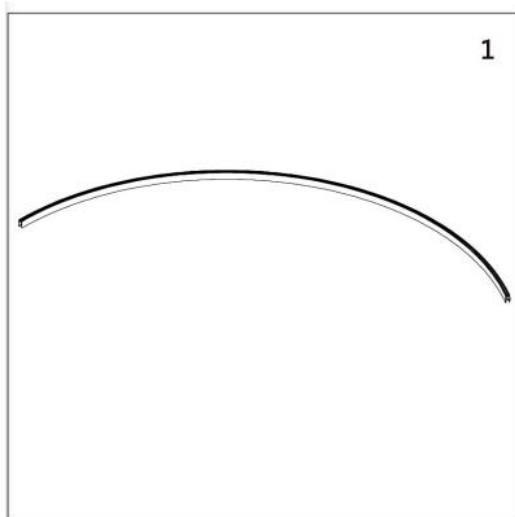


T300 (BLK)  
T301 WHT)



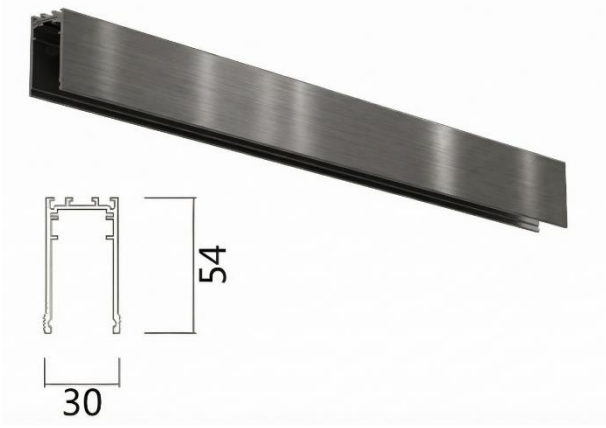
T167 (T127)

# Installation exploded view

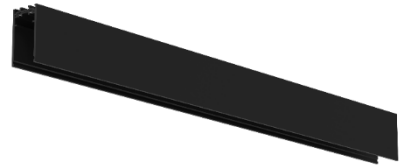


# Description of Accessories

## Surface Track ▶



Diameter	Code	Color
600mm	T126	Black
2000mm	T315	Anodized dark gray



## Track Installation Connectors & Accessories



T173 (BLK) – 600mm cable  
T202 (WHT) – 600mm cable



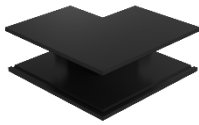
T176 (BLK)  
T203 (WHT)



T300 (BLK)  
T301 (WHT)



T165 (BLK)  
T199 (WHT)



T166 (BLK)



T128 (BLK)



T167/T127 (Silver)  
T347 (BLK)



T172 (BLK)  
T201 (WHT)



Diameter	Code No.	Color
3000mm	T171	Black
	T371	White



T183 (BLK)  
T273 (WHT)



T184 (BLK)  
T204 (WHT)



T185 (BLK)

# Installation of Surface Track

T161  
T162  
T198  
T207  
T208

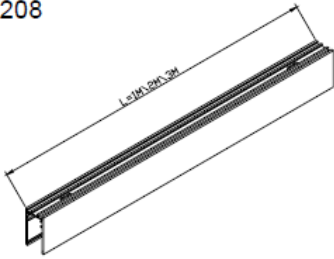


FIG-1

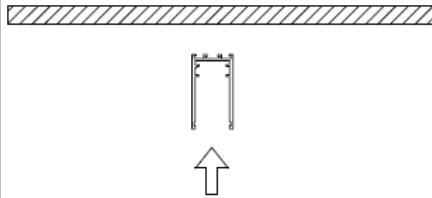


FIG-2

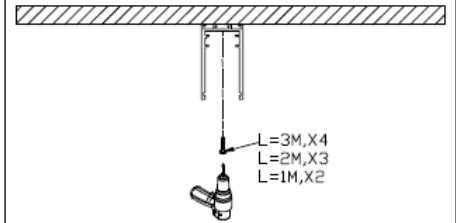
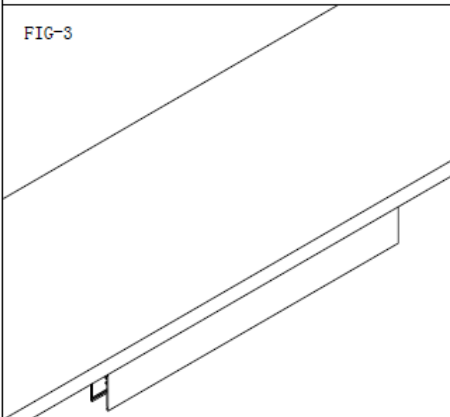
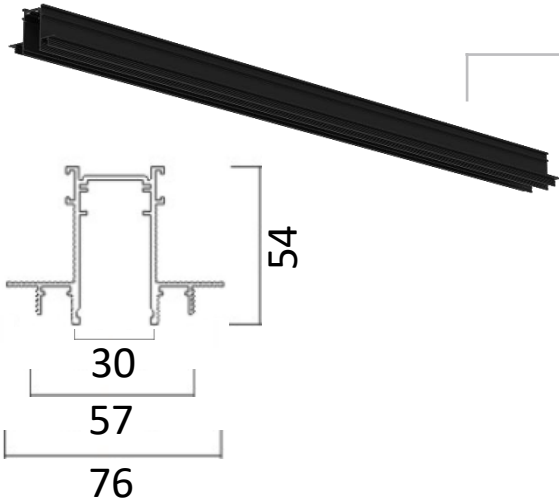


FIG-3



# Description of Accessories

## Recessed Track ▶



Diameter	Code No.	Color
2000mm	T158	Black
3000mm	T206	Black

## Track Installation Connectors & Accessories



T173 (BLK) – 600mm cable  
T202 (WHT) – 600mm cable



T176 (BLK)  
T203 (WHT)



T300 (BLK)  
T301 (WHT)



T159 (BLK)  
T197 (WHT)



T160 (BLK)

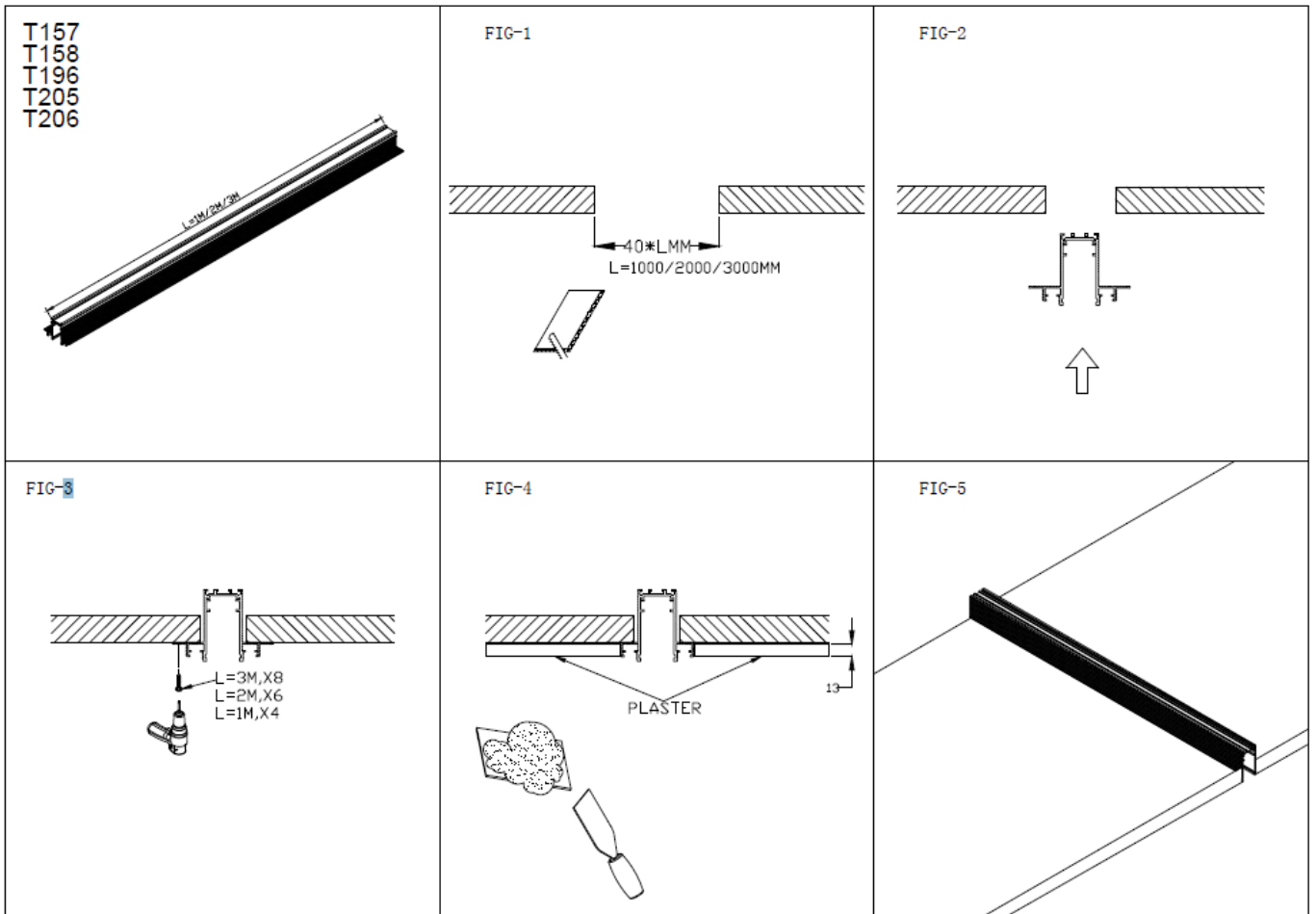


T172 (BLK)  
T201 (WHT)



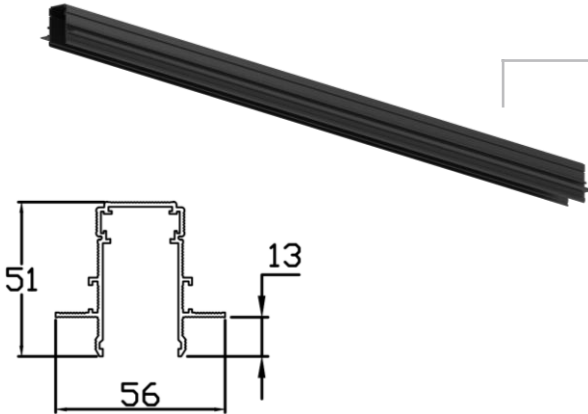
Diameter	Code No.	Color
3000mm	T171	Black
	T371	White

# Installation of Recessed Track



# Description of Accessories

## Recessed Track ▶



Diameter	Code No.	Color
2000mm	T306	Black
	T316	White
3000mm	T307	Black
	T317	White

## Track Installation Connectors & Accessories



T173 (BLK) – 600mm cable  
T202 (WHT) – 600mm cable



T176 (BLK)  
T203 (WHT)



T300 (BLK)  
T301 (WHT)



T308 (BLK)  
T318 (WHT)



T309 (BLK)  
T319 (WHT)



Diameter	Code No.	Color
3000mm	T171	Black
	T371	White

# Installation of Recessed Track

AT-600P

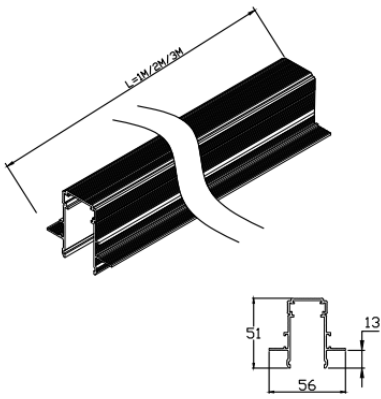


FIG-1

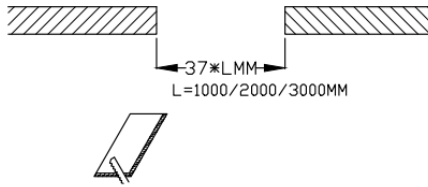


FIG-2

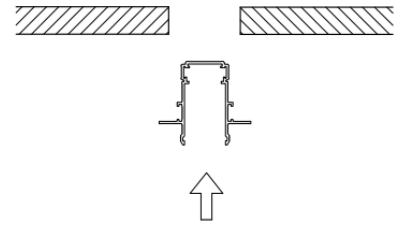


FIG-3

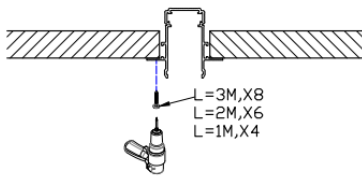


FIG-4

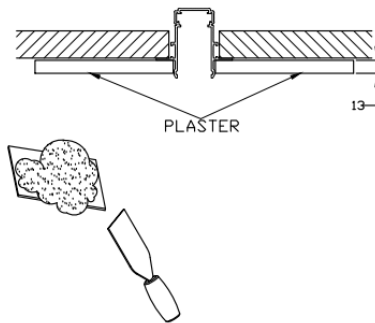
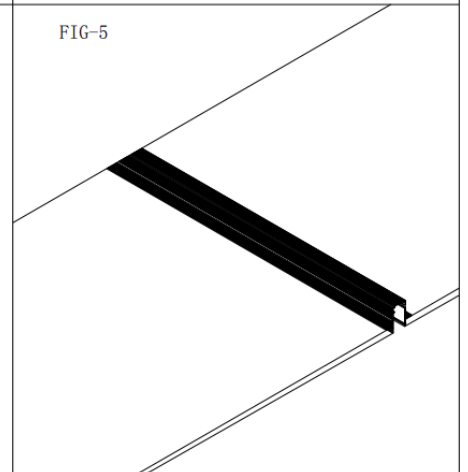
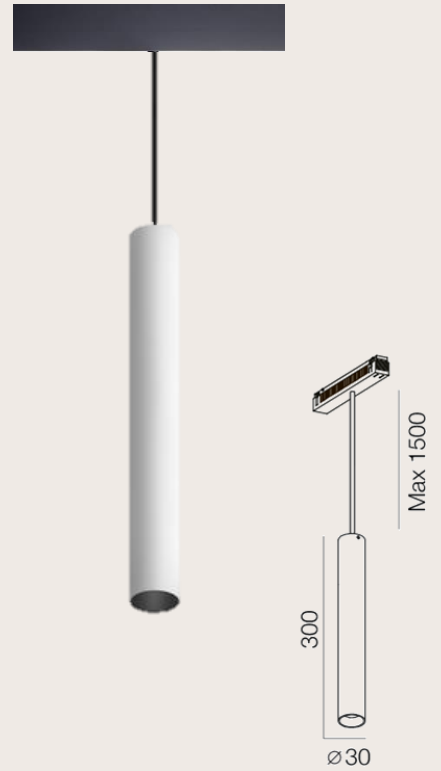


FIG-5

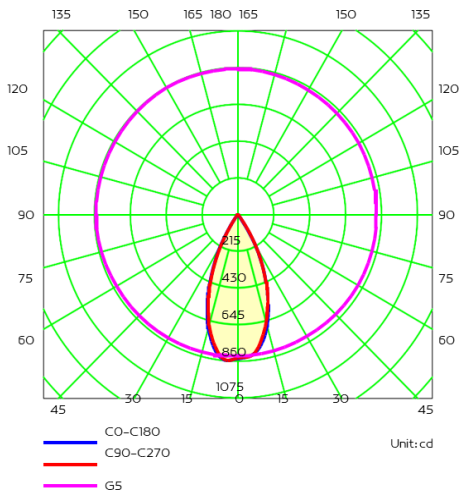


<b>Code</b>	T246 (WHT) / T180 (WHT)		
<b>Input Voltage</b>	DC48 350MA		
<b>Power(Watts)</b>	8W . 6.7W		
<b>Lumen</b>	470lm. 522lm		
<b>Lamp holder</b>	Ceramic PCB		
<b>Light Source</b>	CREE CXA 1304		
<b>Beam Angle</b>	70° . 50°		
<b>Color Temperature</b>	3000K		
<b>CRI ≥</b>	80		
<b>IP level</b>	IP20		
<b>Main Material</b>	Aluminum		
<b>Body Color</b>	WHT		
<b>Wire connection way</b>	Track Adaptor		
<b>Class</b>	<input type="checkbox"/> I	<input type="checkbox"/> II	<input checked="" type="checkbox"/> III
<b>Certificates</b>	CE . ROHS		

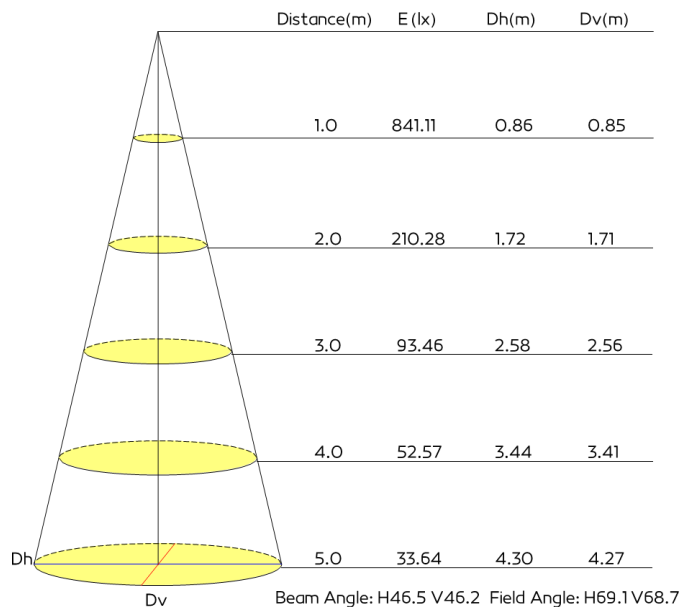


## Optic Data

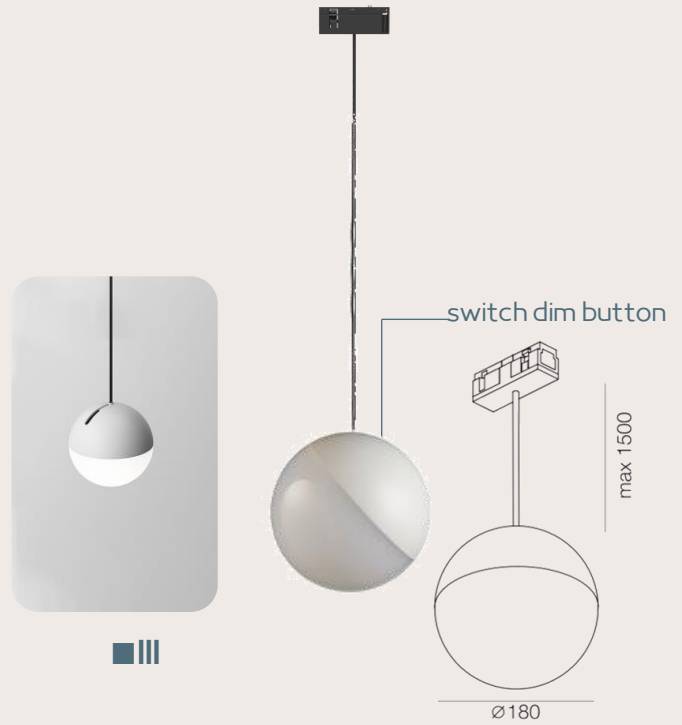
### Luminous Intensity Distribution Curve



### AAI Figure

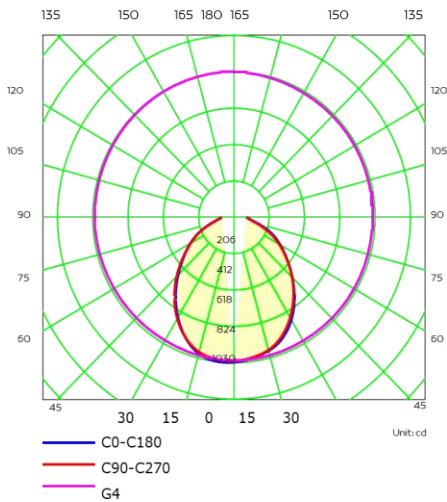


<b>Code</b>	<b>T254 (WHT)</b>
<b>Input Voltage</b>	<b>DC48</b>
<b>Power(Watts)</b>	<b>28W</b>
<b>Lumen</b>	<b>2182lm</b>
<b>Lamp holder</b>	<b>Aluminum PCB</b>
<b>Light Source</b>	<b>CREE 3030</b>
<b>Beam Angle</b>	<b>101°</b>
<b>Color Temperature</b>	<b>3000K</b>
<b>CRI ≥</b>	<b>80</b>
<b>IP level</b>	<b>IP20</b>
<b>Main Material</b>	<b>Aluminum</b>
<b>Body Color</b>	<b>WHT</b>
<b>Wire connection way</b>	<b>Track Adaptor</b>
<b>Class</b>	<input type="checkbox"/> I <input type="checkbox"/> II <input checked="" type="checkbox"/> III
<b>Certificates</b>	<b>CE . ROHS</b>

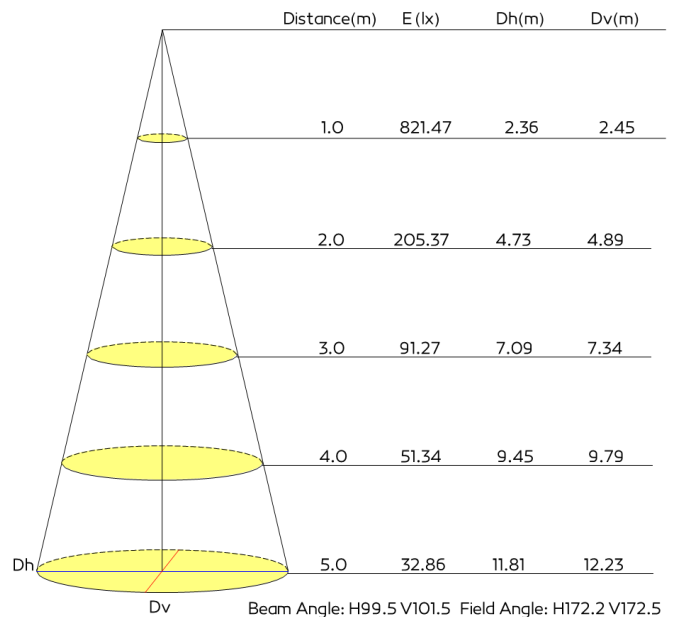


## Optic Data

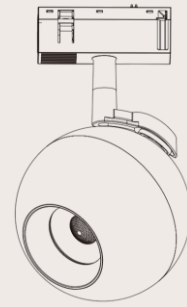
### Luminous Intensity Distribution Curve



### AAI Figure



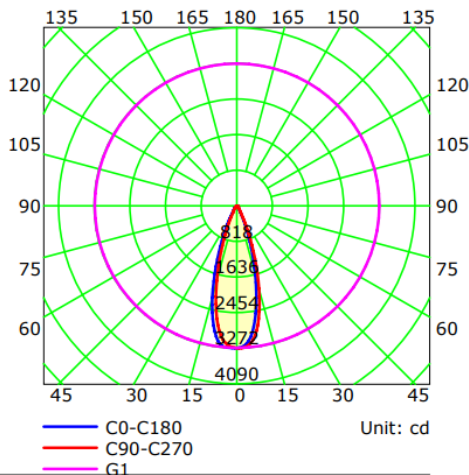
<b>Code</b>	T321(BLK)		
<b>Input Voltage</b>	DC48		
<b>Power(Watts)</b>	13W		
<b>Lumen</b>	2087lm		
<b>Lamp holder</b>	Ceramic PCB		
<b>Light Source</b>	CREE CXA1512(18V)		
<b>Beam Angle</b>	30°		
<b>Color Temperature</b>	3000K		
<b>CRI ≥</b>	90		
<b>IP level</b>	IP20		
<b>Main Material</b>	Aluminum		
<b>Body Color</b>	BLK		
<b>Wire connection way</b>	Track Adaptor		
<b>Class</b>	<input type="checkbox"/> I	<input type="checkbox"/> II	<input checked="" type="checkbox"/> III
<b>Certificates</b>	CE . ROHS		



φ 100

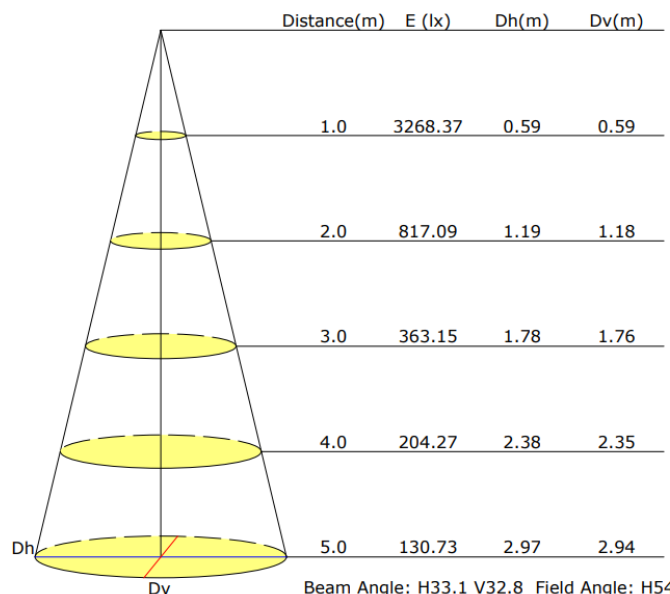
## Optic Data

### Luminous Intensity Distribution Curve

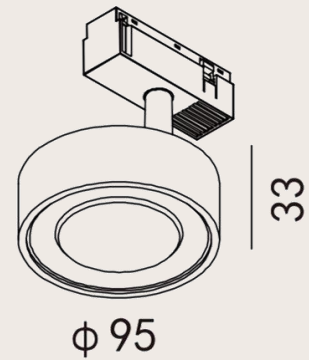


Test Device: GPM-1800  
 Distance: 10.096 m  
 Humidity: 71  
 Inspector:

### AAI Figure

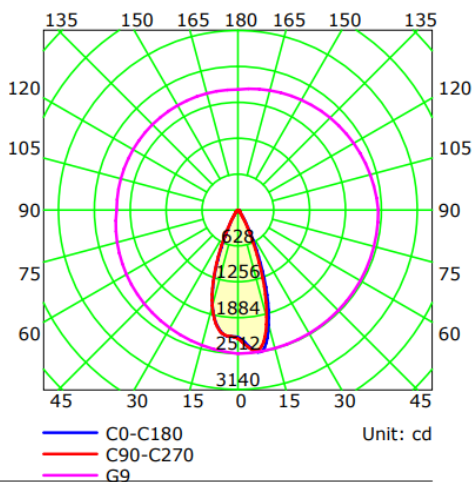


Code	T190(BLK)		
Input Voltage	DC48		
Power(Watts)	13W		
Lumen	2513lm		
Lamp holder	Ceramic PCB		
Light Source	CREE CXA1512(37V)		
Beam Angle	38°		
Color Temperature	3000K		
CRI ≥	90		
IP level	IP20		
Main Material	Aluminum		
Body Color	BLK		
Wire connection way	Track Adaptor		
Class	<input type="checkbox"/> I	<input type="checkbox"/> II	<input checked="" type="checkbox"/> III
Certificates	CE . ROHS		



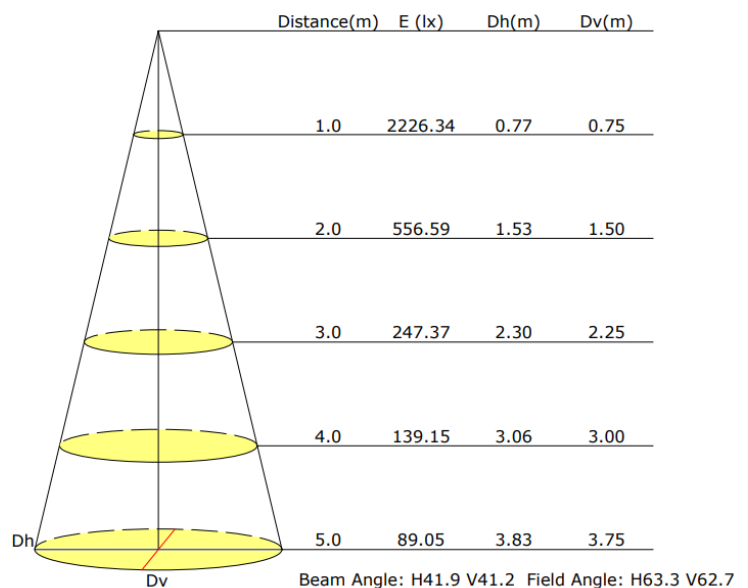
## Optic Data

### Luminous Intensity Distribution Curve

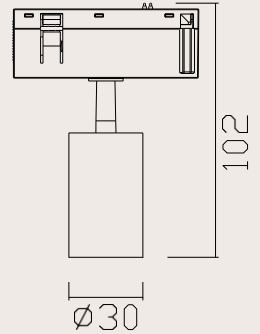


Test Device: GPM-1800  
Distance: 10.096 m  
Humidity: 71  
Inspector:

### AAI Figure

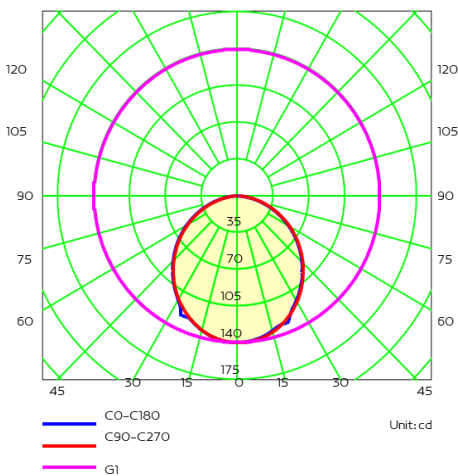


<b>Code</b>	T380 (WHT) / T311 (Dark Gray) / T312 (Nickel)	
<b>Input Voltage</b>	DC48 700MA	
<b>Power(Watts)</b>	6.7W	
<b>Lumen</b>	657lm	
<b>Lamp holder</b>	Ceramic PCB	
<b>Light Source</b>	Bridgelux C6	
<b>Beam Angle</b>	30°	
<b>Color Temperature</b>	3000K	
<b>CRI ≥</b>	80	
<b>IP level</b>	IP20	
<b>Main Material</b>	Aluminum	
<b>Wire connection way</b>	Track Adaptor	
<b>Class</b>	<input type="checkbox"/> I	<input type="checkbox"/> II <input checked="" type="checkbox"/> III
<b>Certificates</b>	CE . ROHS	

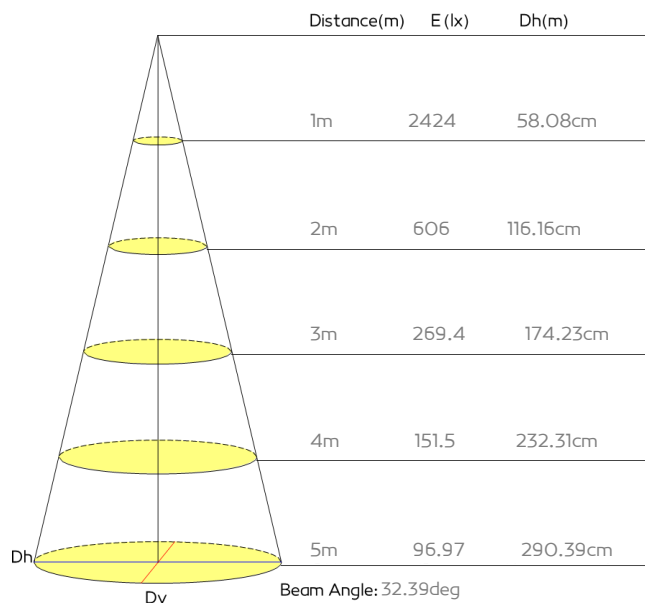


## Optic Data

### Luminous Intensity Distribution Curve



### AAI Figure

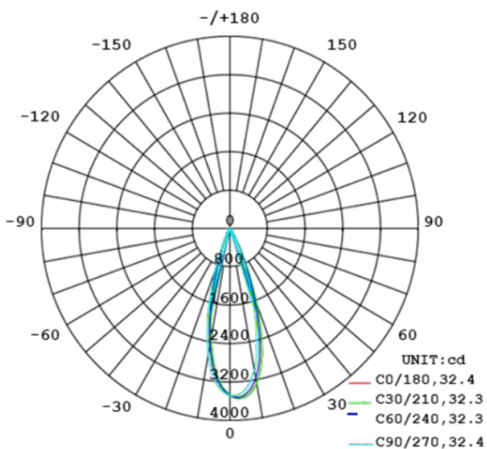


Code	T232 (WHT) / T233 (BLK) / T322 (Dark gray) / T323 (Nickel)		
Input Voltage	DC48 350MA		
Power(Watts)	14W		
Lumen	1446lm		
Lamp holder	Ceramic PCB		
Light Source	CREE CXA1512		
Beam Angle	30°		
Color Temperature	3000K		
CRI ≥	80		
IP level	IP20		
Main Material	Aluminum		
Wire connection way	Track Adaptor		
Class	<input type="checkbox"/> I	<input type="checkbox"/> II	<input checked="" type="checkbox"/> III
Certificates	CE . ROHS		

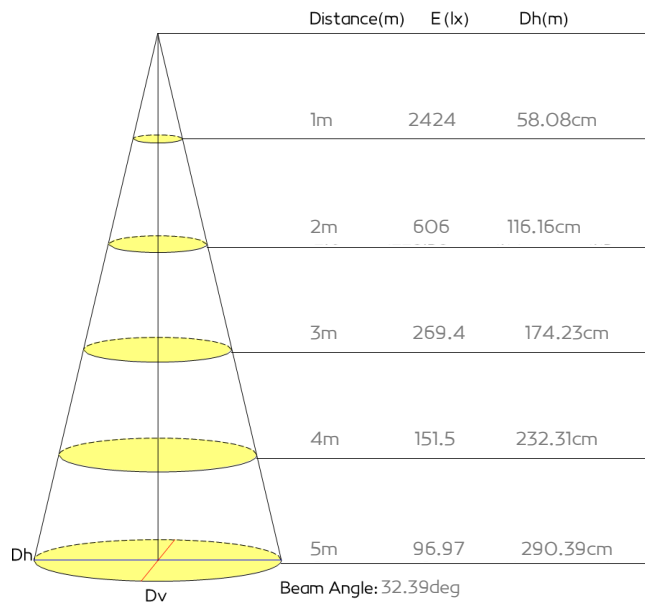


## Optic Data

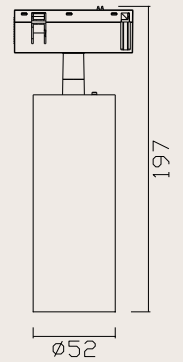
### Luminous Intensity Distribution Curve



### AAI Figure

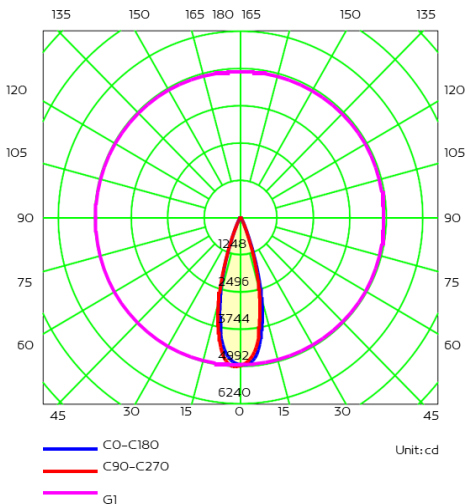


<b>Code</b>	T235 (BLK)		
<b>Input Voltage</b>	DC48 500MA		
<b>Power(Watts)</b>	19W		
<b>Lumen</b>	1890lm		
<b>Lamp holder</b>	Ceramic PCB		
<b>Light Source</b>	CREE CXB1512		
<b>Beam Angle</b>	30°		
<b>Color Temperature</b>	3000K		
<b>CRI ≥</b>	80		
<b>IP level</b>	IP20		
<b>Main Material</b>	Aluminum		
<b>Body Color</b>	BLK		
<b>Wire connection way</b>	Track Adaptor		
<b>Class</b>	<input type="checkbox"/> I	<input type="checkbox"/> II	<input checked="" type="checkbox"/> III
<b>Certificates</b>	CE . ROHS		

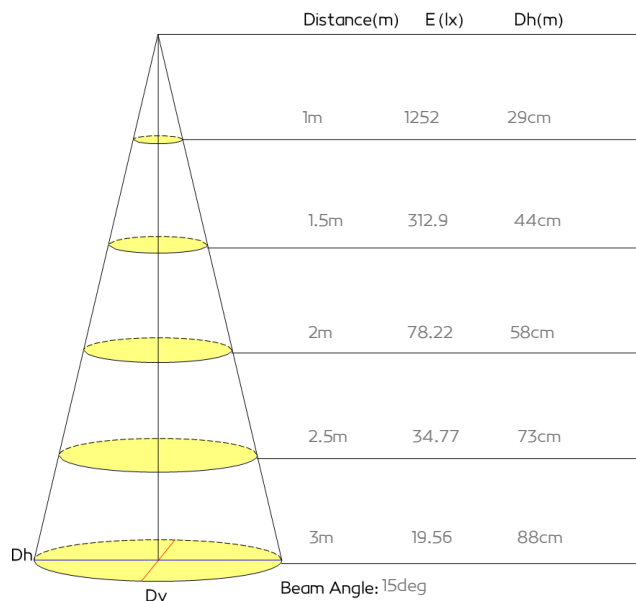


## Optic Data

### Luminous Intensity Distribution Curve



### AAI Figure

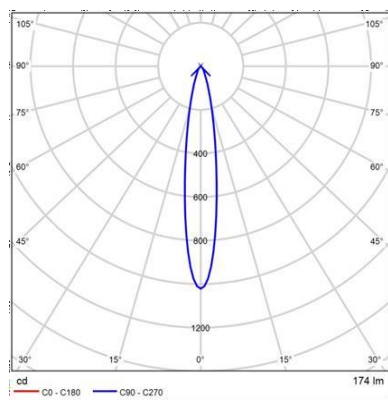


<b>Code</b>	<b>T243 (BLK)</b>
<b>Input Voltage</b>	<b>DC48 DC 700MA</b>
<b>Power(Watts)</b>	<b>25W</b>
<b>Lumen</b>	<b>1808lm-1927lm</b>
<b>Lamp holder</b>	<b>Ceramic PCB</b>
<b>Light Source</b>	<b>Bridgelux V9</b>
<b>Beam Angle</b>	<b>Adjustable 15° to 50°</b>
<b>Color Temperature</b>	<b>3000K</b>
<b>CRI ≥</b>	<b>80</b>
<b>IP level</b>	<b>IP20</b>
<b>Main Material</b>	<b>Aluminum</b>
<b>Body Color</b>	<b>BLK</b>
<b>Wire connection way</b>	<b>Track Adaptor</b>
<b>Class</b>	<input type="checkbox"/> I <input type="checkbox"/> II
<b>Certificates</b>	<b>CE . ROHS</b>



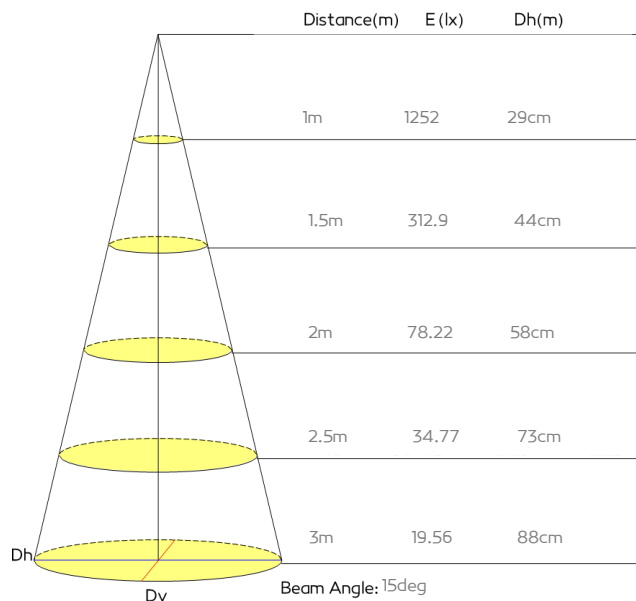
## Optic Data

### Luminous Intensity Distribution Curve

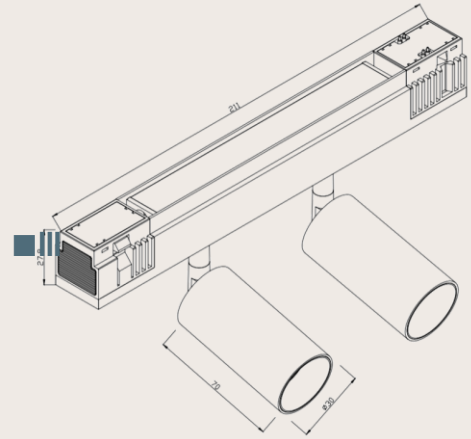


Beam Angle: 15deg

### AAI Figure



<b>Code</b>	T314 (BLK)	
<b>Input Voltage</b>	DC48	
<b>Power(Watts)</b>	13W	
<b>Lumen</b>	1696lm	
<b>Lamp holder</b>	Ceramic PCB	
<b>Color Temperature</b>	3000K	
<b>CRI ≥</b>	90	
<b>IP level</b>	IP20	
<b>Main Material</b>	Aluminum	
<b>Body Color</b>	BLK	
<b>Wire connection way</b>	Track Adaptor	
<b>Class</b>	<input type="checkbox"/> I	<input type="checkbox"/> II
<b>Certificates</b>	CE . ROHS	

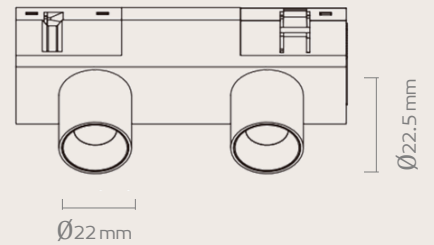
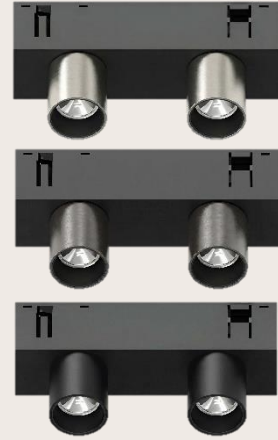


## Optic Data

Luminous Intensity Distribution Curve

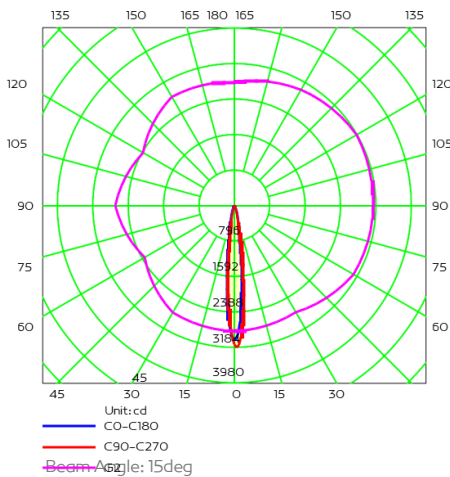
AAI Figure

<b>Code</b>	T293 (BLK) / T324 (Dark gray) / T325 (Nickel)		
<b>Input Voltage</b>	DC48 DC 500MA		
<b>Power(Watts)</b>	2x2W (4W)		
<b>Lumen</b>	264lm		
<b>Lamp holder</b>	Aluminum PCB		
<b>Light Source</b>	CREE XPE-2		
<b>Beam Angle</b>	24°		
<b>Color Temperature</b>	3000K		
<b>CRI ≥</b>	80		
<b>IP level</b>	IP20		
<b>Main Material</b>	Aluminum		
<b>Wire connection way</b>	Track Adaptor		
<b>Class</b>	<input type="checkbox"/> I	<input type="checkbox"/> II	<input checked="" type="checkbox"/> III
<b>Certificates</b>	CE . ROHS		

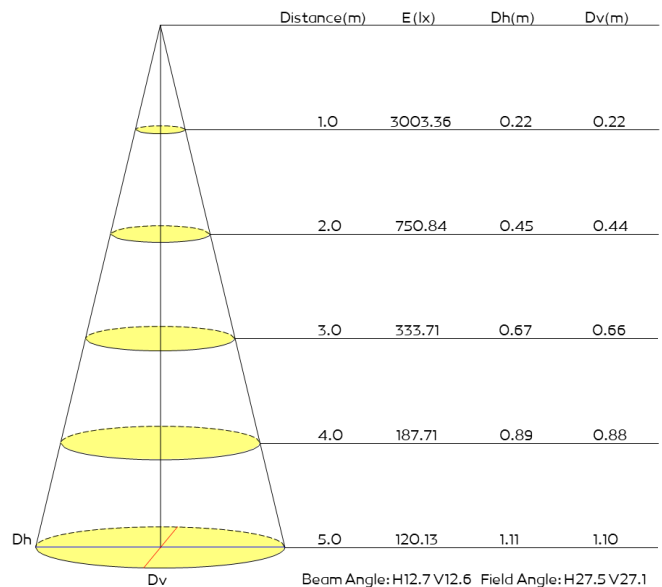


## Optic Data

### Luminous Intensity Distribution Curve



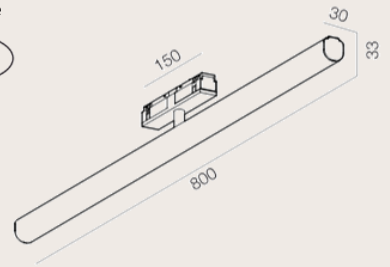
### AAI Figure



<b>Code</b>	T240 (WHT) / T241 (BLK)	
<b>Input Voltage</b>	DC48 700MA	
<b>Power(Watts)</b>	20W	
<b>Lumen</b>	1397.6lm	
<b>Lamp holder</b>	Aluminum PCB	
<b>Light Source</b>	Bridgelux 2835	
<b>Beam Angle</b>	110°	
<b>Color Temperature</b>	3000K	
<b>CRI ≥</b>	80	
<b>IP level</b>	IP20	
<b>Main Material</b>	Aluminum	
<b>Wire connection way</b>	WHT / BLK	
<b>Class</b>	Track Adaptor	
<b>Certificates</b>	<input type="checkbox"/> I	<input type="checkbox"/> II
<b>Dimmable</b>	CE . ROHS	

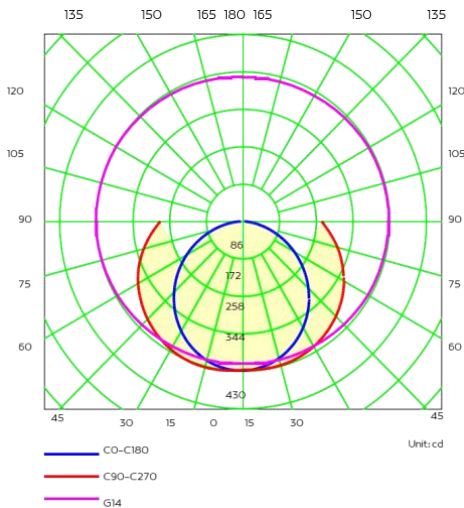


Turnable

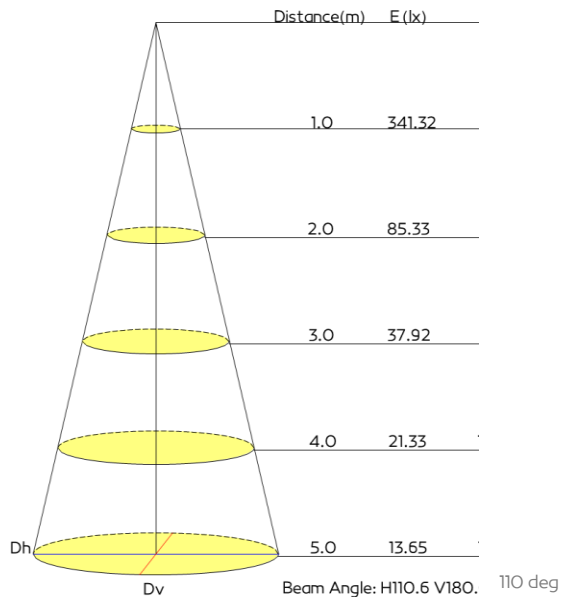


## Optic Data

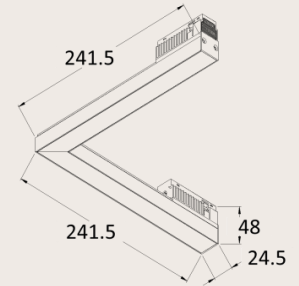
### Luminous Intensity Distribution Curve



### AAI Figure

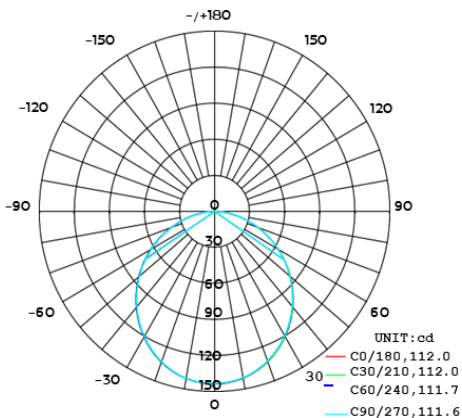


<b>Code</b>	T265 (WHT) / T266 (BLK)		
<b>Input Voltage</b>	DC48		
<b>Power(Watts)</b>	10W		
<b>Lumen</b>	780lm		
<b>Lamp holder</b>	Aluminum PCB		
<b>Light Source</b>	Bridgelux 2835		
<b>Beam Angle</b>	110°		
<b>Color Temperature</b>	3000K		
<b>CRI ≥</b>	80		
<b>IP level</b>	IP20		
<b>Main Material</b>	Aluminum		
<b>Body Color</b>	WHT / BLK		
<b>Wire connection way</b>	Track Adaptor		
<b>Class</b>	<input type="checkbox"/> I	<input type="checkbox"/> II	<input checked="" type="checkbox"/> III
<b>Certificates</b>	CE . ROHS		

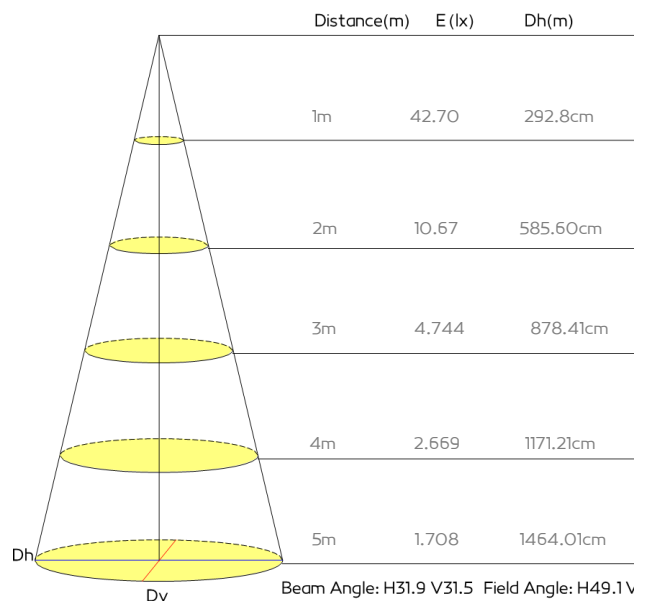


## Optic Data

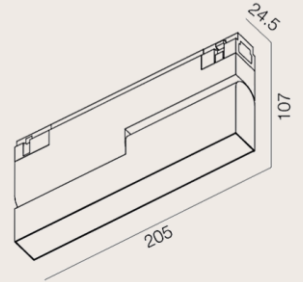
### Luminous Intensity Distribution Curve



### AAI Figure

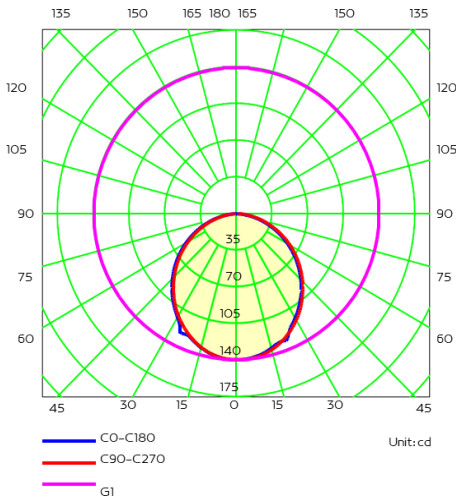


<b>Code</b>	T238 (WHT) / T239 (BLK)		
<b>Input Voltage</b>	DC48 350MA		
<b>Power(Watts)</b>	6W		
<b>Lumen</b>	384.5lm		
<b>Lamp holder</b>	Ceramic PCB		
<b>Light Source</b>	Bridgelux 2835		
<b>Beam Angle</b>	110°		
<b>Color Temperature</b>	3000K		
<b>CRI ≥</b>	80		
<b>IP level</b>	IP20		
<b>Main Material</b>	Aluminum		
<b>Body Color</b>	WHT / BLK		
<b>Wire connection way</b>	Track Adaptor		
<b>Class</b>	<input type="checkbox"/> I	<input type="checkbox"/> II	<input checked="" type="checkbox"/> III
<b>Certificates</b>	CE . ROHS		

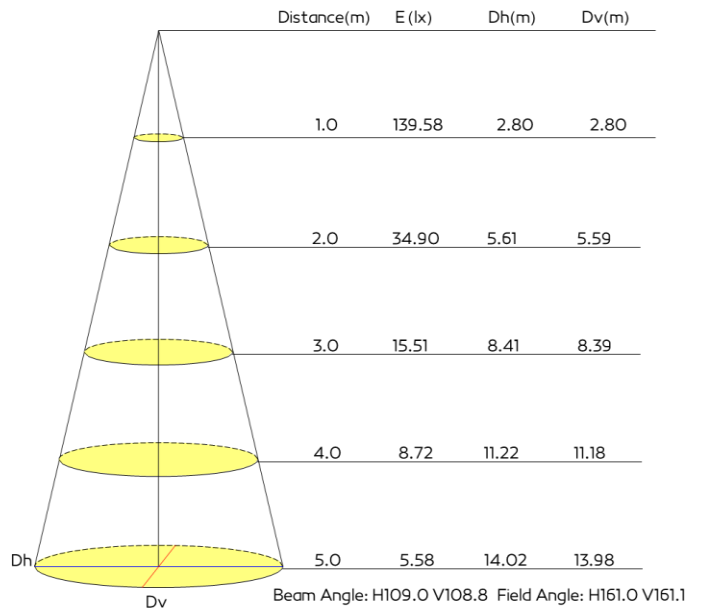


## Optic Data

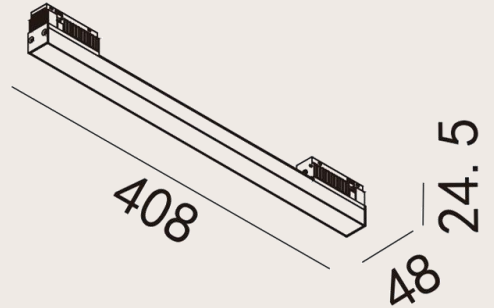
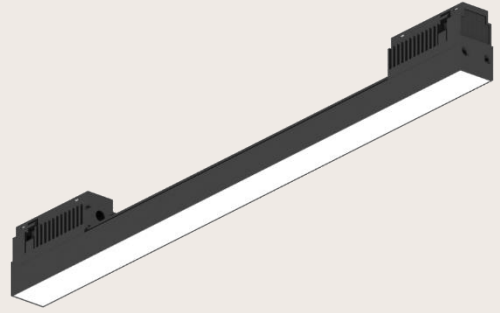
### Luminous Intensity Distribution Curve



### AAI Figure

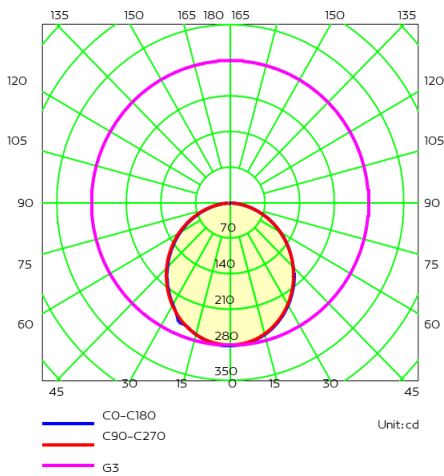


<b>Code</b>	T178 (BLK) / T379 (WHT)		
<b>Input Voltage</b>	DC48 350MA		
<b>Power(Watts)</b>	11W		
<b>Lumen</b>	783lm		
<b>Lamp holder</b>	Aluminum PCB		
<b>Light Source</b>	Bridgelux 2835		
<b>Beam Angle</b>	110°		
<b>Color Temperature</b>	3000K		
<b>CRI ≥</b>	80		
<b>IP level</b>	IP20		
<b>Main Material</b>	Aluminum		
<b>Body Color</b>	WHT / BLK		
<b>Wire connection way</b>	Track Adaptor		
<b>Class</b>	<input type="checkbox"/> I	<input type="checkbox"/> II	<input checked="" type="checkbox"/> III
<b>Certificates</b>	CE . ROHS		

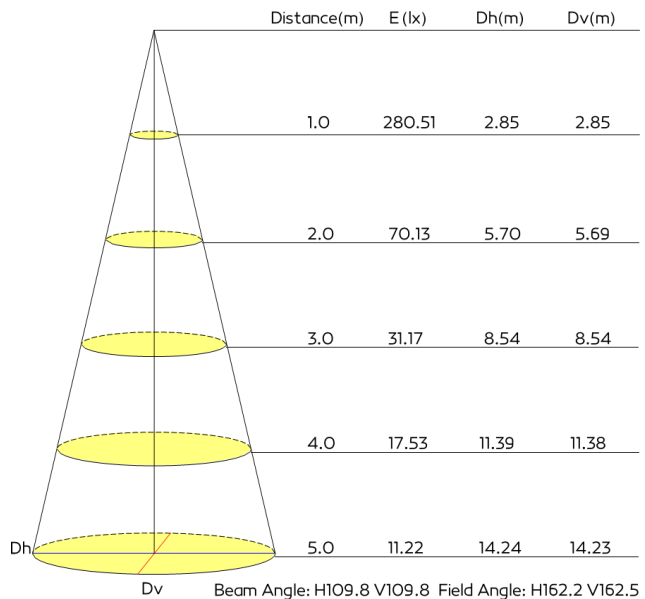


## Optic Data

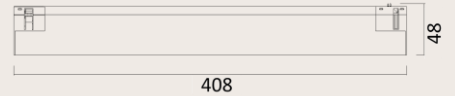
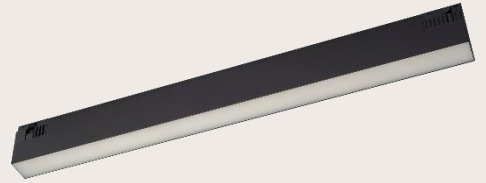
### Luminous Intensity Distribution Curve



### AAI Figure

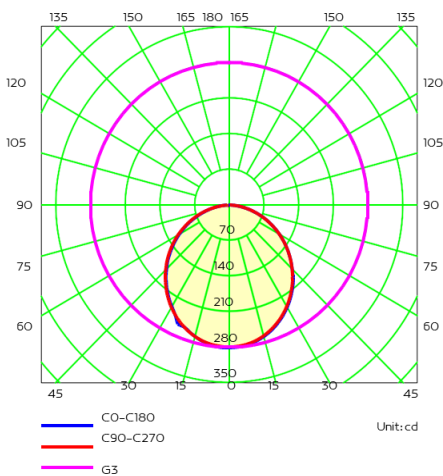


<b>Code</b>	T131 (BLK)		
<b>Input Voltage</b>	DC48 350MA		
<b>Power(Watts)</b>	11W		
<b>Lumen</b>	783lm		
<b>Lamp holder</b>	Aluminum PCB		
<b>Light Source</b>	Bridgelux 2835		
<b>Beam Angle</b>	110°		
<b>Color Temperature</b>	3000K		
<b>CRI ≥</b>	80		
<b>IP level</b>	IP20		
<b>Main Material</b>	Aluminum		
<b>Body Color</b>	BLK		
<b>Wire connection way</b>	Track Adaptor		
<b>Class</b>	<input type="checkbox"/> I	<input type="checkbox"/> II	<input checked="" type="checkbox"/> III
<b>Certificates</b>	CE . ROHS		

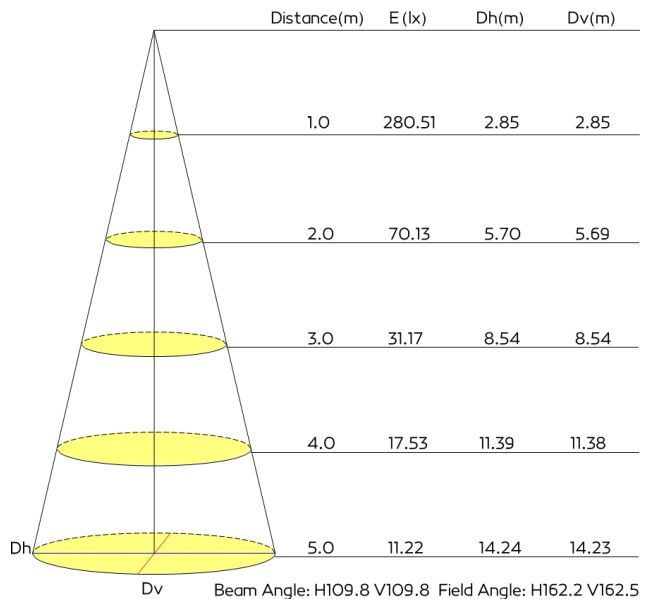


## Optic Data

### Luminous Intensity Distribution Curve



### AAI Figure

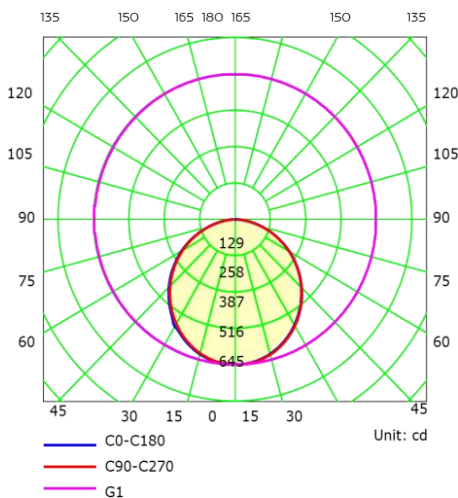


<b>Code</b>	<b>T244 (WHT)</b>
<b>Input Voltage</b>	<b>DC48 500MA</b>
<b>Power(Watts)</b>	<b>18W</b>
<b>Lumen</b>	<b>1470lm</b>
<b>Lamp holder</b>	<b>Aluminum PCB</b>
<b>Light Source</b>	<b>Bridgelux 2835</b>
<b>Beam Angle</b>	<b>110°</b>
<b>Color Temperature</b>	<b>3000K</b>
<b>CRI ≥</b>	<b>80</b>
<b>IP level</b>	<b>IP20</b>
<b>Main Material</b>	<b>Aluminum</b>
<b>Body Color</b>	<b>WHT</b>
<b>Wire connection way</b>	<b>Track Adaptor</b>
<b>Class</b>	<input type="checkbox"/> I <input type="checkbox"/> II <input checked="" type="checkbox"/> III
<b>Certificates</b>	<b>CE . ROHS</b>

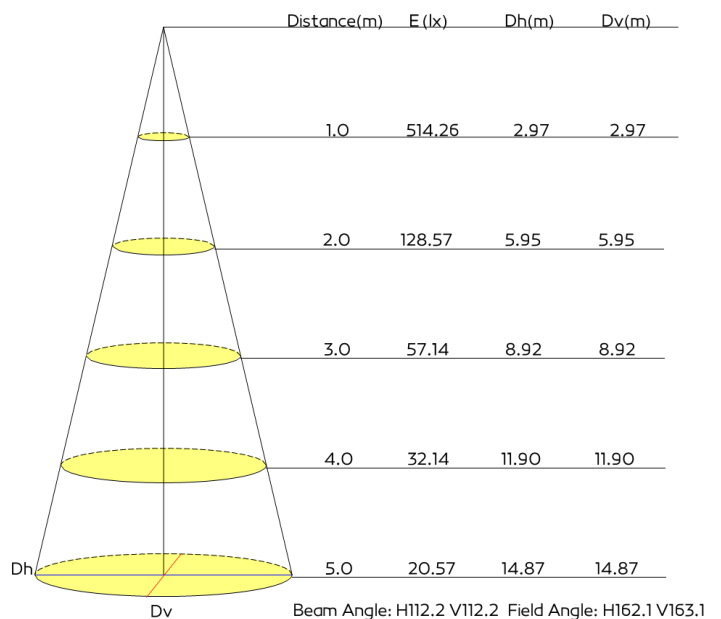


## Optic Data

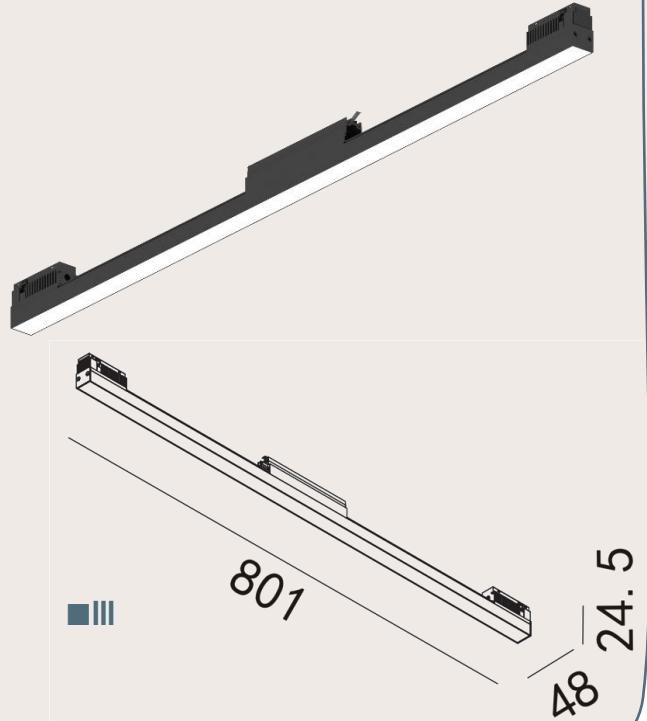
### Luminous Intensity Distribution Curve



### AAI Figure

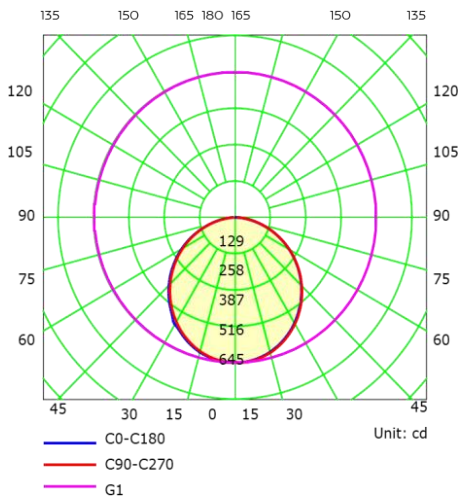


<b>Code</b>	T304 (WHT) / T305 (BLK)	
<b>Input Voltage</b>	DC48 500MA	
<b>Power(Watts)</b>	18W	
<b>Lumen</b>	1470lm	
<b>Lamp holder</b>	Aluminum PCB	
<b>Light Source</b>	Bridgelux 2835	
<b>Beam Angle</b>	110°	
<b>Color Temperature</b>	3000K	
<b>CRI ≥</b>	90	
<b>IP level</b>	IP20	
<b>Main Material</b>	Aluminum	
<b>Body Color</b>	WHT / BLK	
<b>Wire connection way</b>	Track Adaptor	
<b>Class</b>	<input type="checkbox"/> I	<input type="checkbox"/> II
<b>Certificates</b>	CE . ROHS	

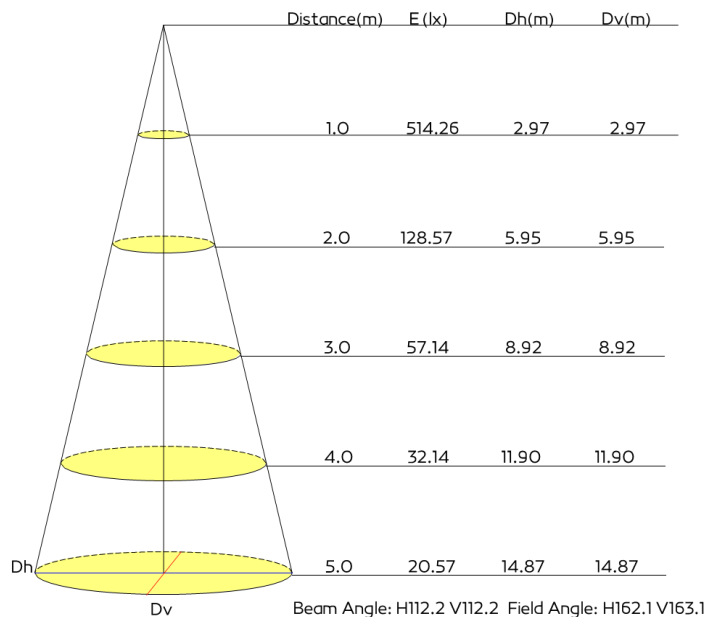


## Optic Data

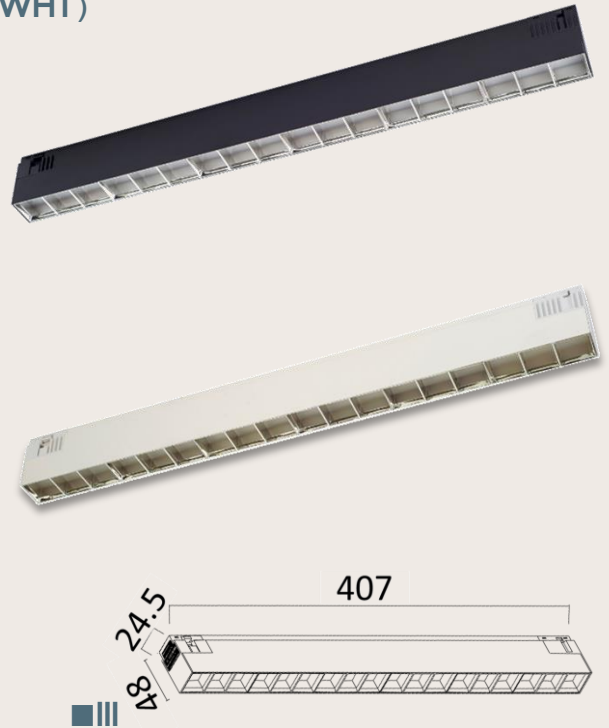
### Luminous Intensity Distribution Curve



### AAI Figure

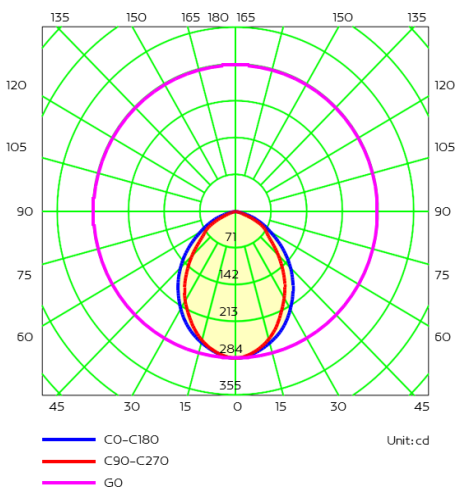


<b>Code</b>	T189 (BLK) / T264 (WHT)	
<b>Input Voltage</b>	DC48 350MA	
<b>Power(Watts)</b>	10W	
<b>Lumen</b>	584.1lm	
<b>Lamp holder</b>	Aluminum PCB	
<b>Light Source</b>	Bridgelux 2835	
<b>Beam Angle</b>	95°	
<b>Color Temperature</b>	3000K	
<b>CRI ≥</b>	80	
<b>IP level</b>	IP20	
<b>Main Material</b>	Aluminum	
<b>Body Color</b>	WHT / BLK	
<b>Wire connection way</b>	Track Adaptor	
<b>Class</b>	<input type="checkbox"/> I	<input type="checkbox"/> II
<b>Certificates</b>	CE . ROHS	

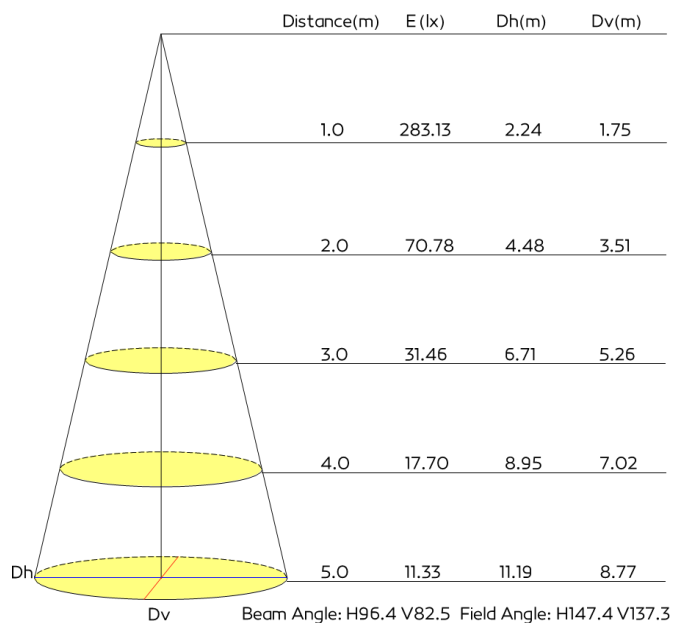


## Optic Data

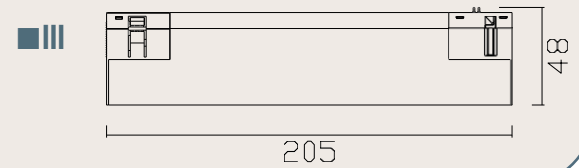
### Luminous Intensity Distribution Curve



### AAI Figure

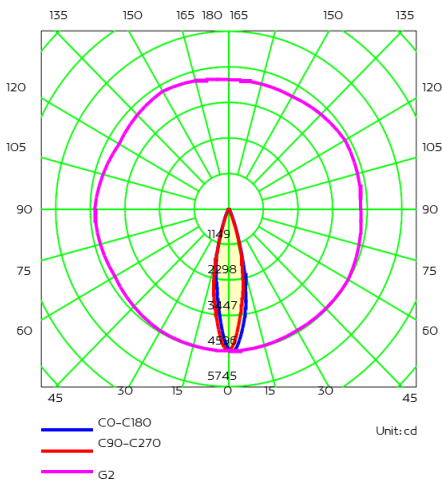


<b>Code</b>	T248 (WHT) / T249(BLK)	
<b>Input Voltage</b>	DC48 350MA	
<b>Power(Watts)</b>	9x1.1W (12W)	
<b>Lumen</b>	849lm	
<b>Lamp holder</b>	Aluminum PCB	
<b>Light Source</b>	CREE XPE-2	
<b>Beam Angle</b>	24°	
<b>Color Temperature</b>	3000K	
<b>CRI ≥</b>	80	
<b>IP level</b>	IP20	
<b>Main Material</b>	Aluminum	
<b>Body Color</b>	WHT	
<b>Wire connection way</b>	Track Adaptor	
<b>Class</b>	<input type="checkbox"/> I	<input type="checkbox"/> II
<b>Certificates</b>	CE . ROHS	

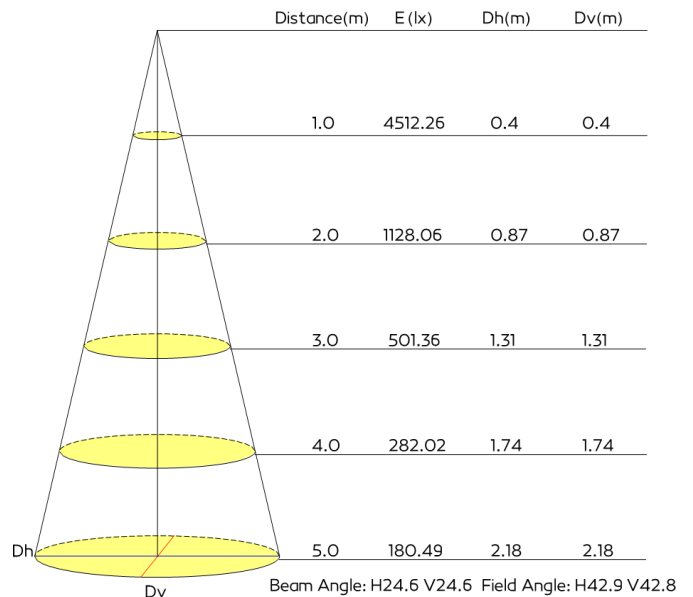


## Optic Data

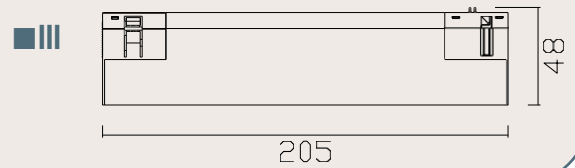
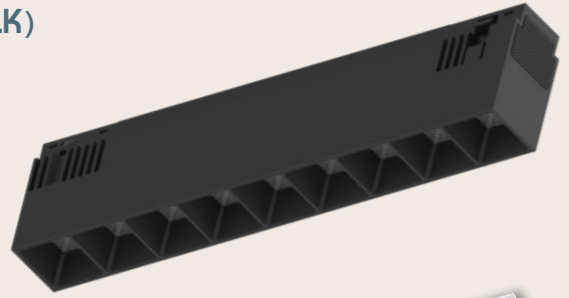
### Luminous Intensity Distribution Curve



### AAI Figure

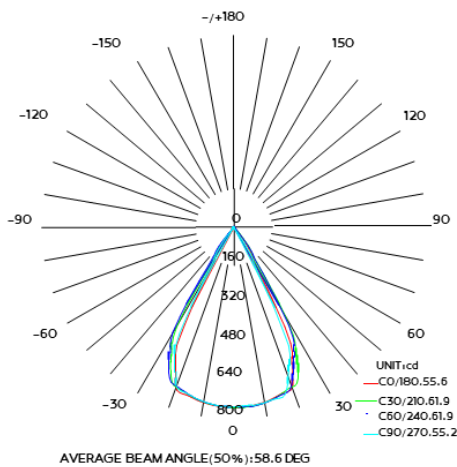


<b>Code</b>	T290 (WHT) / T291 (BLK)	
<b>Input Voltage</b>	DC48 350MA	
<b>Power(Watts)</b>	9x1.1W (12W)	
<b>Lumen</b>	966lm	
<b>Lamp holder</b>	Aluminum PCB	
<b>Light Source</b>	CREE 3030	
<b>Beam Angle</b>	58°	
<b>Color Temperature</b>	3000K	
<b>CRI ≥</b>	80	
<b>IP level</b>	IP20	
<b>Main Material</b>	Aluminum	
<b>Body Color</b>	WHT / BLK	
<b>Wire connection way</b>	Track Adaptor	
<b>Class</b>	<input type="checkbox"/> I	<input type="checkbox"/> II
<b>Certificates</b>	CE . ROHS	



## Optic Data

### Luminous Intensity Distribution Curve

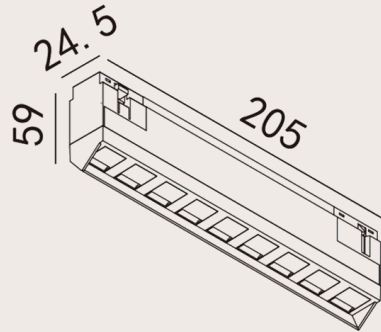


### AAI Figure

Height	Eavg,Emax	Angle:55.17deg	Diameter
1m	556.2,753.9lx		104.49cm
2m	139.1,188.5lx		208.98cm
3m	61.8,83.77lx		313.47cm
4m	34.76,47.12lx		417.95cm
5m	22.25,30.16lx		522.44cm
6m	15.45,20.94lx		626.93cm
7m	11.35,15.39lx		731.42cm
8m	8.69,11.78lx		835.91cm
9m	6.86,7.93lx		940.40cm
10m	5.56,2.75lx		1044.88cm

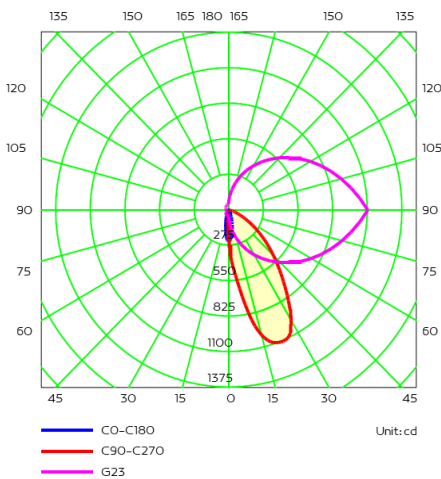
Fluxout:494.0lm

<b>Code</b>	<b>T186 (BLK) / T310 (WHT)</b>		
<b>Input Voltage</b>	<b>DC48 350MA</b>		
<b>Power(Watts)</b>	<b>10W</b>		
<b>Lumen</b>	<b>526lm</b>		
<b>Lamp holder</b>	<b>Aluminum PCB</b>		
<b>Light Source</b>	<b>CREE XPE-2</b>		
<b>Beam Angle</b>	<b>23°x43° Assymmetric</b>		
<b>Color Temperature</b>	<b>3000K</b>		
<b>CRI ≥</b>	<b>80</b>		
<b>IP level</b>	<b>IP20</b>		
<b>Main Material</b>	<b>Aluminum</b>		
<b>Body Color</b>	<b>WHT / BLK</b>		
<b>Wire connection way</b>	<b>Track Adaptor</b>		
<b>Class</b>	<input type="checkbox"/> I	<input type="checkbox"/> II	<input checked="" type="checkbox"/> III
<b>Certificates</b>	<b>CE . ROHS</b>		

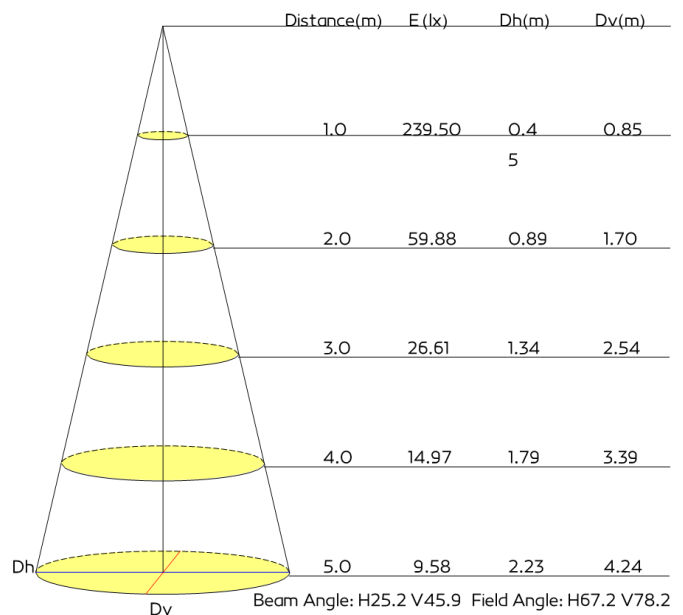


## Optic Data

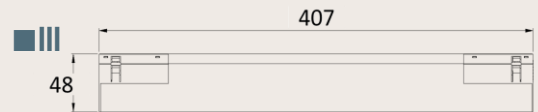
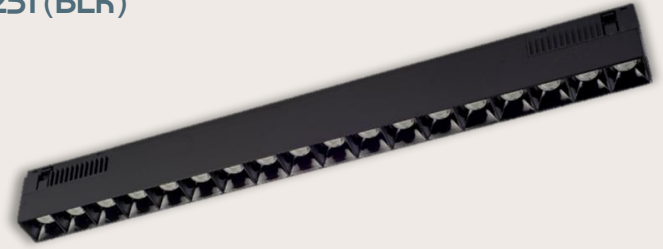
### Luminous Intensity Distribution Curve



### AAI Figure

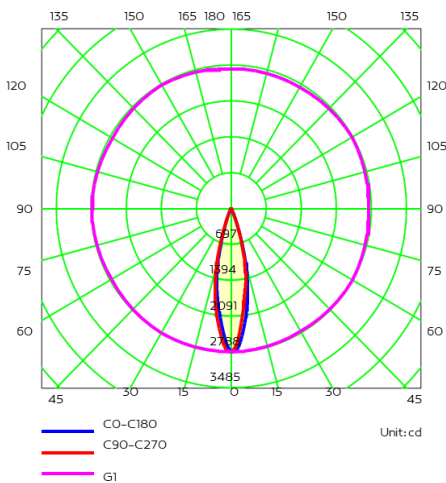


<b>Code</b>	T250 (WHT) / T251 (BLK)	
<b>Input Voltage</b>	DC48 700MA	
<b>Power(Watts)</b>	18x1.1W (20W)	
<b>Lumen</b>	1697lm	
<b>Lamp holder</b>	Aluminum PCB	
<b>Light Source</b>	CREE XPE-2	
<b>Beam Angle</b>	24°	
<b>Color Temperature</b>	3000K	
<b>CRI ≥</b>	80	
<b>IP level</b>	IP20	
<b>Main Material</b>	Aluminum	
<b>Body Color</b>	WHT / BLK	
<b>Wire connection way</b>	Track Adaptor	
<b>Class</b>	<input type="checkbox"/> I	<input type="checkbox"/> II
<b>Certificates</b>	CE . ROHS	

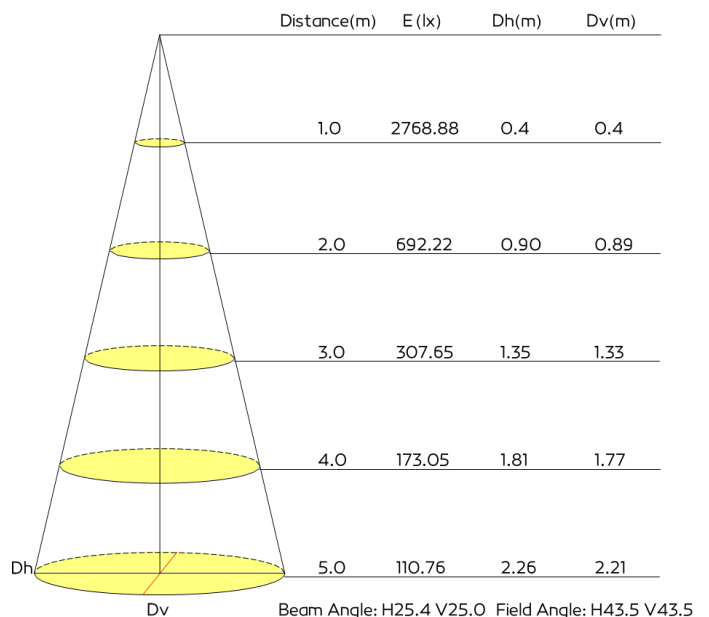


## Optic Data

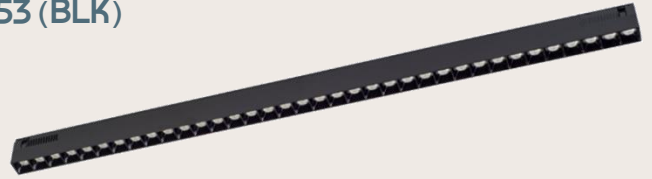
### Luminous Intensity Distribution Curve



### AAI Figure

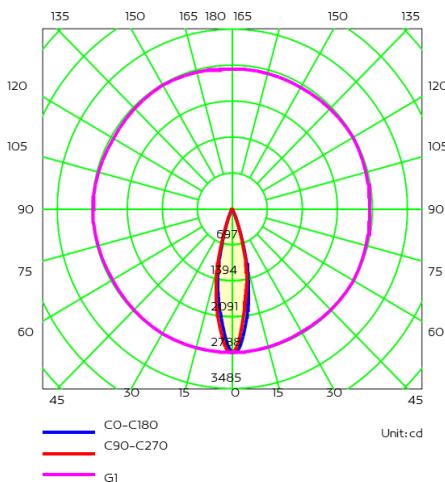


<b>Code</b>	T252 (WHT) / T253 (BLK)	
<b>Input Voltage</b>	DC48	
<b>Power(Watts)</b>	36x1.1W (40W)	
<b>Lumen</b>	3022lm	
<b>Lamp holder</b>	Aluminum PCB	
<b>Light Source</b>	CREE XPE-2	
<b>Beam Angle</b>	24°	
<b>Color Temperature</b>	3000K	
<b>CRI ≥</b>	80	
<b>IP level</b>	IP20	
<b>Main Material</b>	Aluminum	
<b>Body Color</b>	WHT / BLK	
<b>Wire connection way</b>	Track Adaptor	
<b>Class</b>	<input type="checkbox"/> I	<input type="checkbox"/> II
<b>Certificates</b>	CE . ROHS	

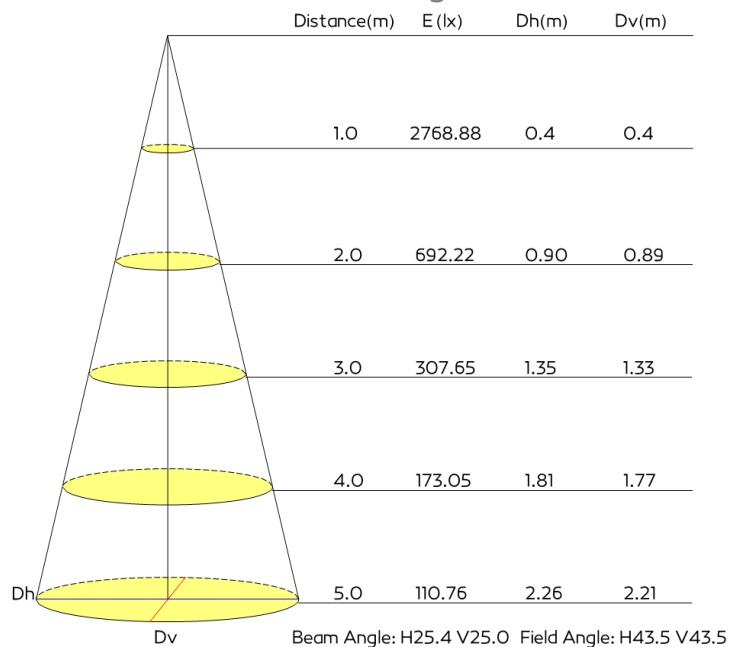


## Optic Data

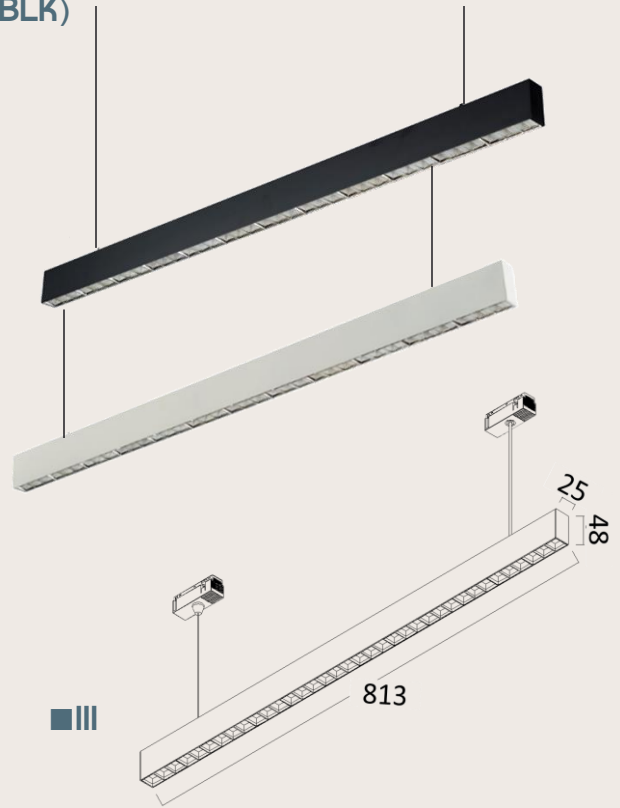
### Luminous Intensity Distribution Curve



### AAI Figure

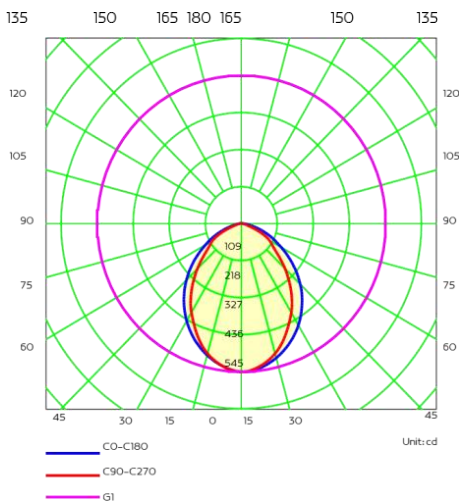


<b>Code</b>	T256 (WHT) / T257 (BLK)	
<b>Input Voltage</b>	DC48 500MA	
<b>Power(Watts)</b>	18W	
<b>Lumen</b>	898.6lm	
<b>Lamp holder</b>	Aluminum PCB	
<b>Light Source</b>	Bridgelux 2835	
<b>Beam Angle</b>	96°	
<b>Color Temperature</b>	3000K	
<b>CRI ≥</b>	80	
<b>IP level</b>	IP20	
<b>Main Material</b>	Aluminum	
<b>Body Color</b>	WHT / BLK	
<b>Wire connection way</b>	Track Adaptor	
<b>Class</b>	<input type="checkbox"/> I	<input type="checkbox"/> II
<b>Certificates</b>	CE . ROHS	

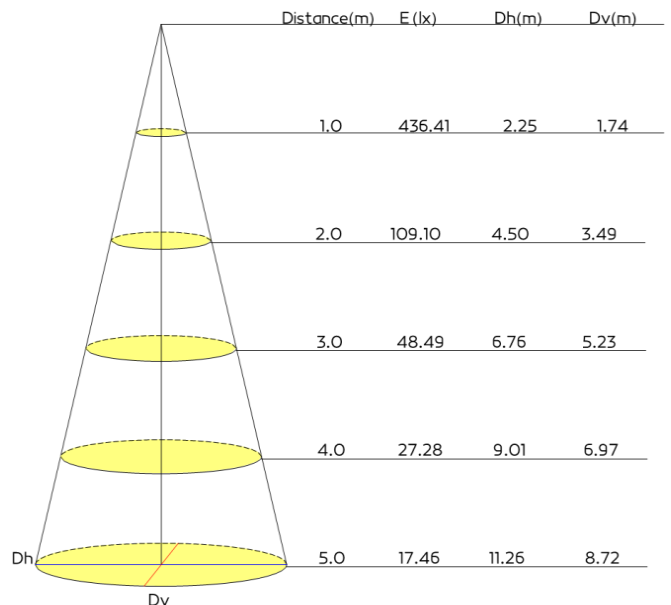


## Optic Data

### Luminous Intensity Distribution Curve

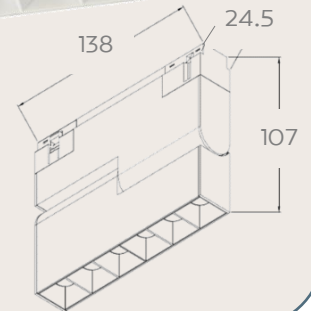


### AAI Figure



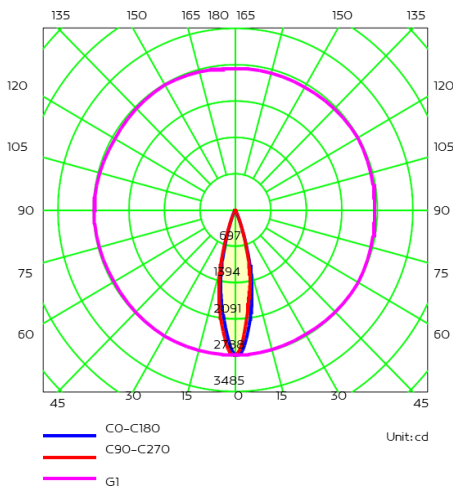
Beam Angle: H96.8 V82.1 Field Angle: H147.3 V136.8

<b>Code</b>	T236 (WHT) / T237 (BLK)		
<b>Input Voltage</b>	DC48		
<b>Power(Watts)</b>	6x1.1W (6.6W)		
<b>Lumen</b>	592lm		
<b>Lamp holder</b>	Aluminum PCB		
<b>Light Source</b>	CREE XPE-2		
<b>Beam Angle</b>	24°		
<b>Color Temperature</b>	3000K		
<b>CRI ≥</b>	80		
<b>IP level</b>	IP20		
<b>Main Material</b>	Aluminum		
<b>Body Color</b>	WHT / BLK		
<b>Wire connection way</b>	Track Adaptor		
<b>Class</b>	<input type="checkbox"/> I	<input type="checkbox"/> II	<input checked="" type="checkbox"/> III
<b>Certificates</b>	CE . ROHS		

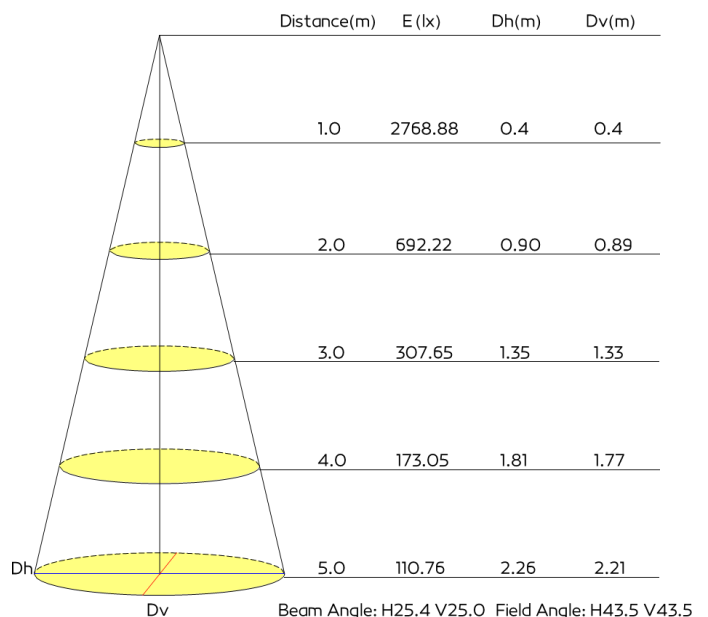


## Optic Data

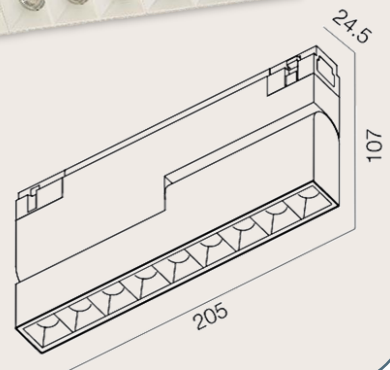
### Luminous Intensity Distribution Curve



### AAI Figure

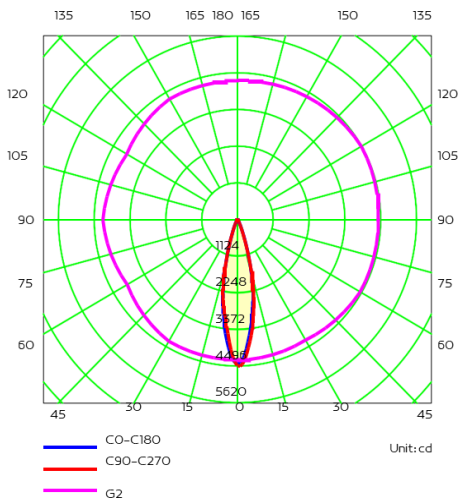


<b>Code</b>	T187 (BLK) / T263 (WHT)		
<b>Input Voltage</b>	DC48 350MA		
<b>Power(Watts)</b>	9x1.1W (10W)		
<b>Lumen</b>	916.4lm		
<b>Lamp holder</b>	Ceramic PCB		
<b>Light Source</b>	CREE XPE-2		
<b>Beam Angle</b>	24°		
<b>Color Temperature</b>	3000K		
<b>CRI ≥</b>	80		
<b>IP level</b>	IP20		
<b>Main Material</b>	Aluminum		
<b>Body Color</b>	WHT / BLK		
<b>Wire connection way</b>	Track Adaptor		
<b>Class</b>	<input type="checkbox"/> I	<input type="checkbox"/> II	<input checked="" type="checkbox"/> III
<b>Certificates</b>	CE . ROHS		

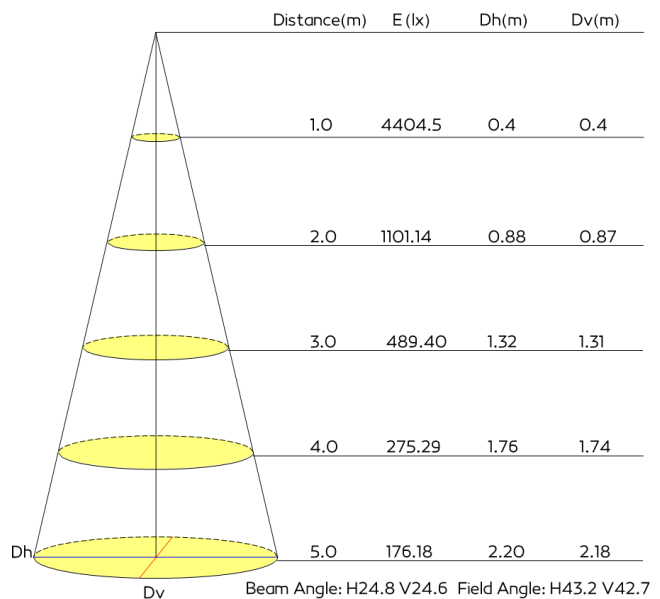


## Optic Data

### Luminous Intensity Distribution Curve



### AAI Figure

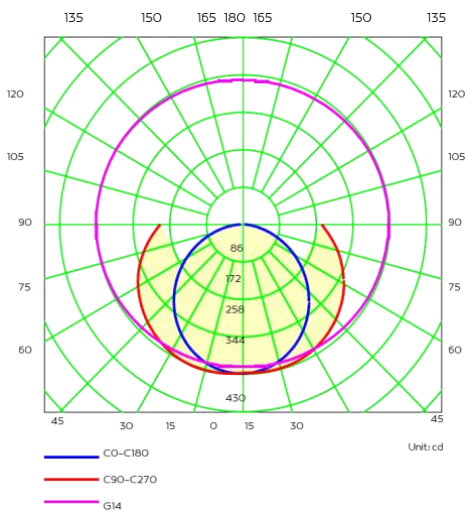


<b>Code</b>	T298 (WHT) / T299 (BLK)	
<b>Input Voltage</b>	DC48	
<b>Power(Watts)</b>	29W	
<b>Lumen</b>	1271lm	
<b>Lamp holder</b>	Ceramic PCB	
<b>Light Source</b>	Bright Lighting SMD2835	
<b>Beam Angle</b>	178°	
<b>Color Temperature</b>	3000K	
<b>CRI ≥</b>	90	
<b>IP level</b>	IP20	
<b>Main Material</b>	Aluminum	
<b>Wire connection way</b>	WHT / BLK	
<b>Class</b>	Track Adaptor	
<b>Certificates</b>	<input type="checkbox"/> I	<input type="checkbox"/> II
<b>Dimmable</b>	CE . ROHS	

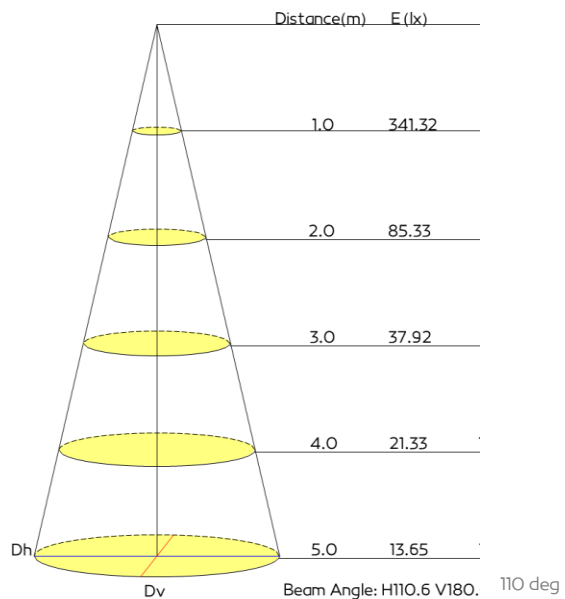


## Optic Data

### Luminous Intensity Distribution Curve



### AAI Figure



## T14

Included:

6xT130 + 3xT131 + 6x 600 mm Track + 6x 120° connector

Code: T235



Input Voltage

DC48 500MA

Power(Watts)

18.5W

Lumen

1890lm

Lamp holder

Ceramic PCB

Light Source

CREE CXB1512

Beam Angle

30°

Color Temperature

3000K

CRI ≥

90

IP Level

20

Main Material

Aluminum

Body Color

Black / White

Installation Type

Pendant  
Ceiling Surface

Code: T131



Input Voltage

DC48 350MA

Power(Watts)

10.2W

Lumen

783lm

Lamp holder

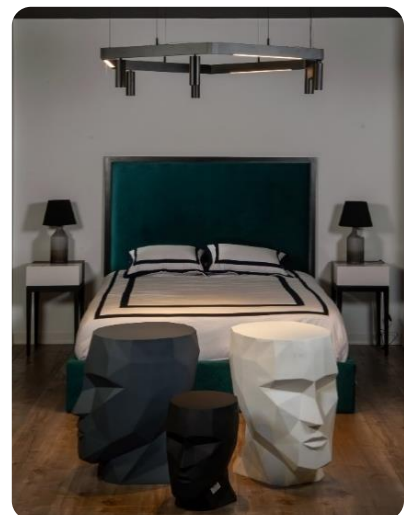
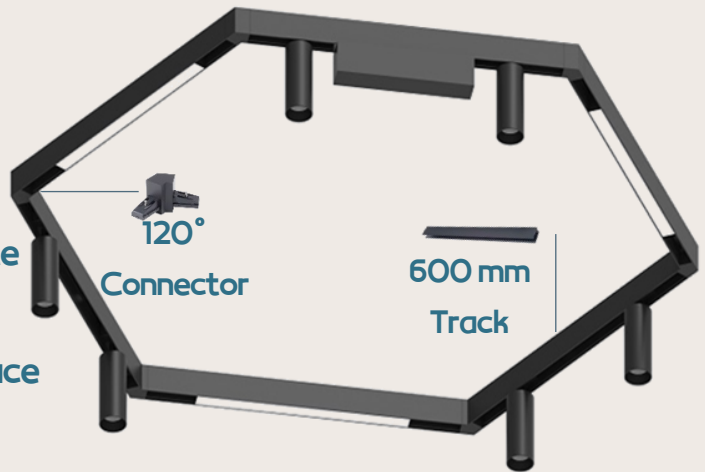
Aluminum PCB

Light Source

Bridgelux 2835

Beam Angle

110°





Multi Track Light





MAKE MORE  
OF THE  
MOMENT



Multi Track Light





Multi Track Light





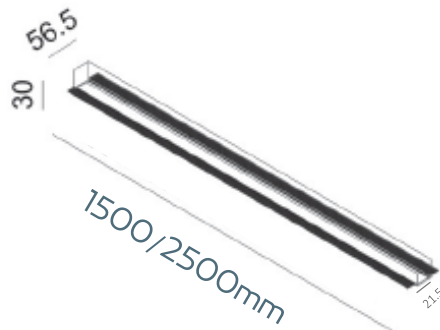
Multi Track Light



نوران  
NOORAIN

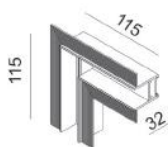
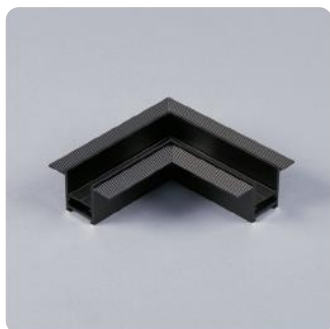
# Description of accessories

## Profile ▶



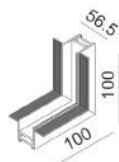
Length	Code No.
1500mm	LC1500
2500mm	LC2500

## Track Installation Connectors & Accessories ▶



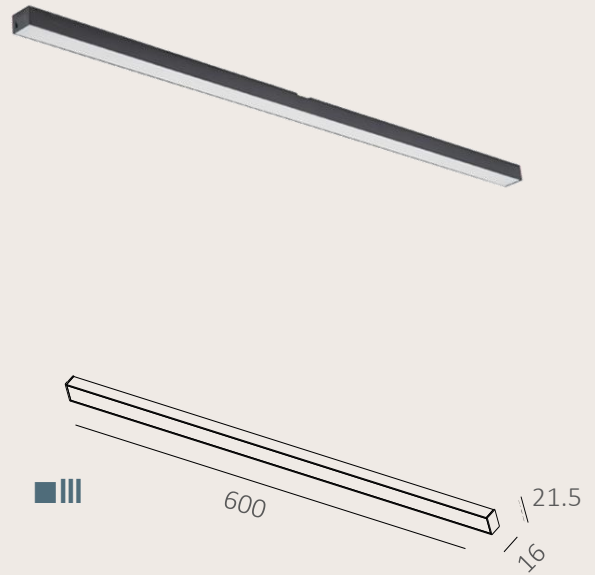
Code No.	Size(mm)	Colour
----------	----------	--------

LC1010A	115x115	Black
---------	---------	-------



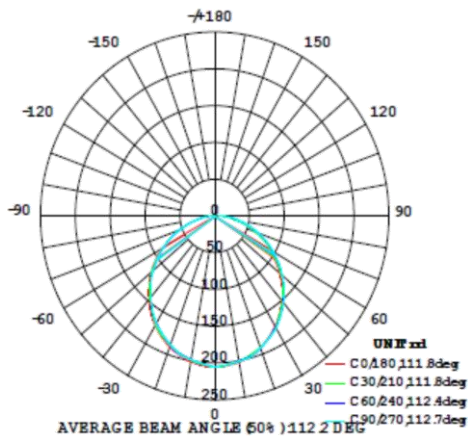
LC1010B	100x100	Black
---------	---------	-------

Code	LC152
Input Voltage	DC 24V
Power(Watts)	12W
Lumen	1440lm
Light Source	EDS LED
Color Temperature	3000K
CRI ≥	90
IP level	IP20
Main Material	Aluminum
Body Color	Black
Wire connection way	Track Adaptor
Class	<input type="checkbox"/> I <input type="checkbox"/> II

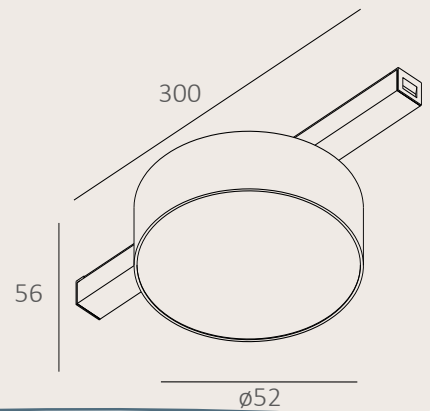


## Optic Data

### Luminous Intensity Distribution Curve

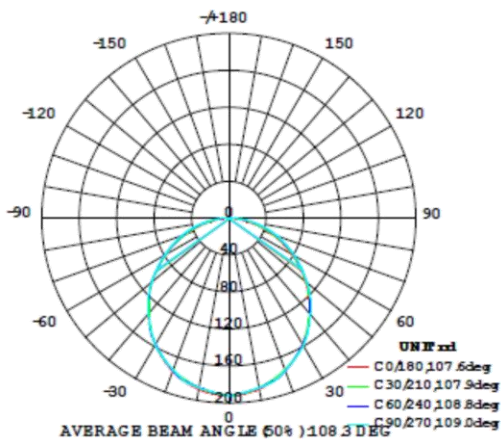


<b>Code</b>	LC153
<b>Input Voltage</b>	DC 24V
<b>Power(Watts)</b>	15 W
<b>Lumen</b>	1350lm
<b>Light Source</b>	EDS LED
<b>Color Temperature</b>	3000K
<b>CRI ≥</b>	90
<b>IP level</b>	IP20
<b>Main Material</b>	Aluminum
<b>Body Color</b>	Black
<b>Wire connection way</b>	Track Adaptor
<b>Class</b>	<input type="checkbox"/> I <input type="checkbox"/> II <input checked="" type="checkbox"/> III

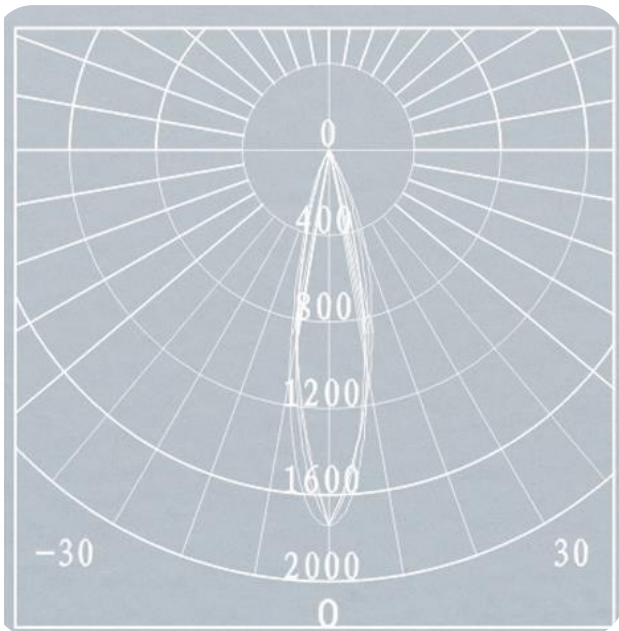
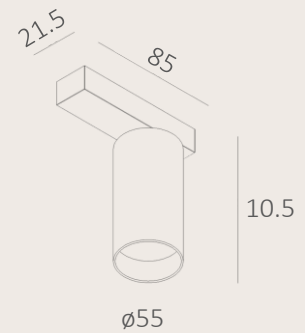


## Optic Data

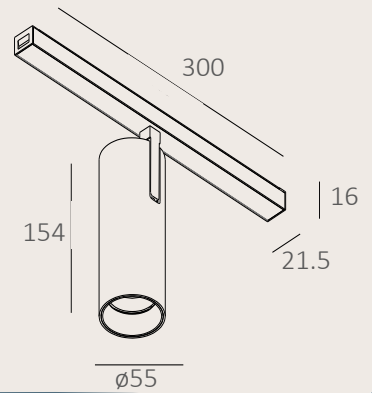
### Luminous Intensity Distribution Curve



<b>Code</b>	LC199
<b>Input Voltage</b>	DC 24V
<b>Power(Watts)</b>	6W
<b>Lumen</b>	540lm
<b>Light Source</b>	TEEN LED
<b>Color Temperature</b>	3000K
<b>CRI ≥</b>	90
<b>IP level</b>	IP20
<b>Main Material</b>	Aluminum
<b>Body Color</b>	Black
<b>Wire connection way</b>	Track Adaptor
<b>Class</b>	□ I      □ II      ■ III

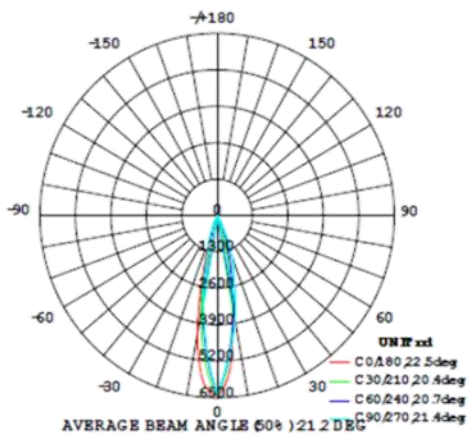


<b>Code</b>	LC154
<b>Input Voltage</b>	DC 24V
<b>Power(Watts)</b>	12W
<b>Lumen</b>	1380lm
<b>Light Source</b>	LUMILEDS LED
<b>Color Temperature</b>	3000K
<b>CRI ≥</b>	90
<b>IP level</b>	IP20
<b>Main Material</b>	Aluminum
<b>Body Color</b>	Black
<b>Wire connection way</b>	Track Adaptor
<b>Class</b>	<input type="checkbox"/> I <input type="checkbox"/> II <input checked="" type="checkbox"/> III

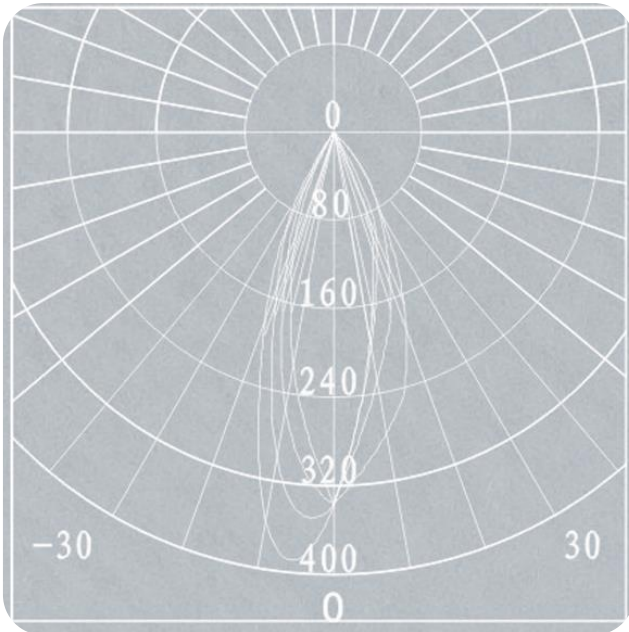
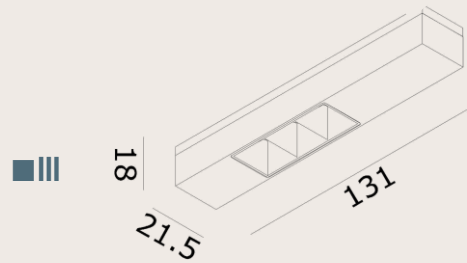


## Optic Data

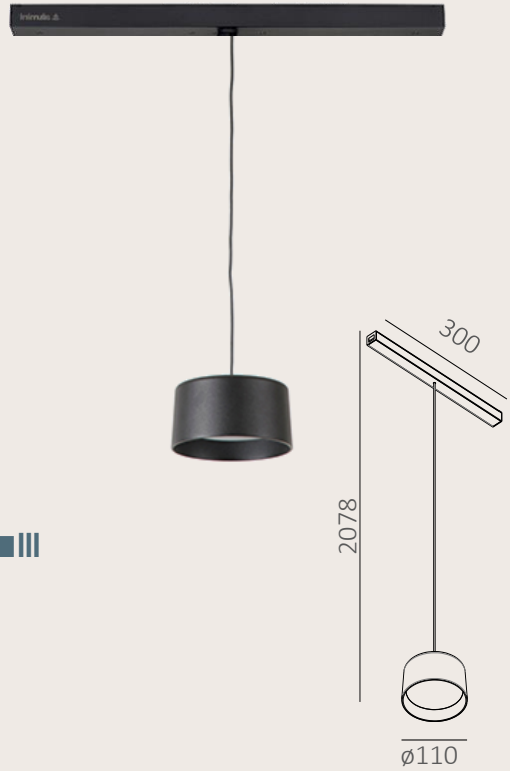
### Luminous Intensity Distribution Curve



<b>Code</b>	LC198
<b>Input Voltage</b>	DC 24V
<b>Power(Watts)</b>	3W (3*1W)
<b>Lumen</b>	270lm
<b>Light Source</b>	Osram LED
<b>Color Temperature</b>	3000K
<b>CRI ≥</b>	90
<b>IP level</b>	IP20
<b>Main Material</b>	Aluminum
<b>Body Color</b>	Black
<b>Wire connection way</b>	Track Adaptor
<b>Class</b>	<input type="checkbox"/> I <input type="checkbox"/> II

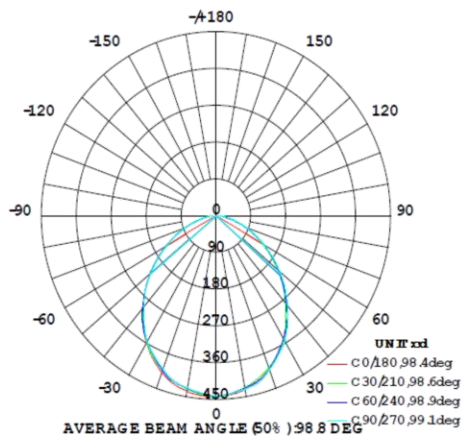


<b>Code</b>	LC155
<b>Input Voltage</b>	DC 24V
<b>Power(Watts)</b>	12W
<b>Lumen</b>	1380lm
<b>Light Source</b>	LUMILEDS LED
<b>Color Temperature</b>	3000K
<b>CRI ≥</b>	90
<b>IP level</b>	IP20
<b>Main Material</b>	Aluminum
<b>Body Color</b>	Black
<b>Wire connection way</b>	Track Adaptor
<b>Class</b>	<input type="checkbox"/> I <input type="checkbox"/> II <input checked="" type="checkbox"/> III



## Optic Data

### Luminous Intensity Distribution Curve







نوران  
NOORAN