



نوران
NOORAN

GENERAL DATASHEET

APR - 2026























مجموعه نوران

با 60 سال سابقه، همواره یکی از طراحان پیشرو در صنعت نورپردازی بوده‌است.

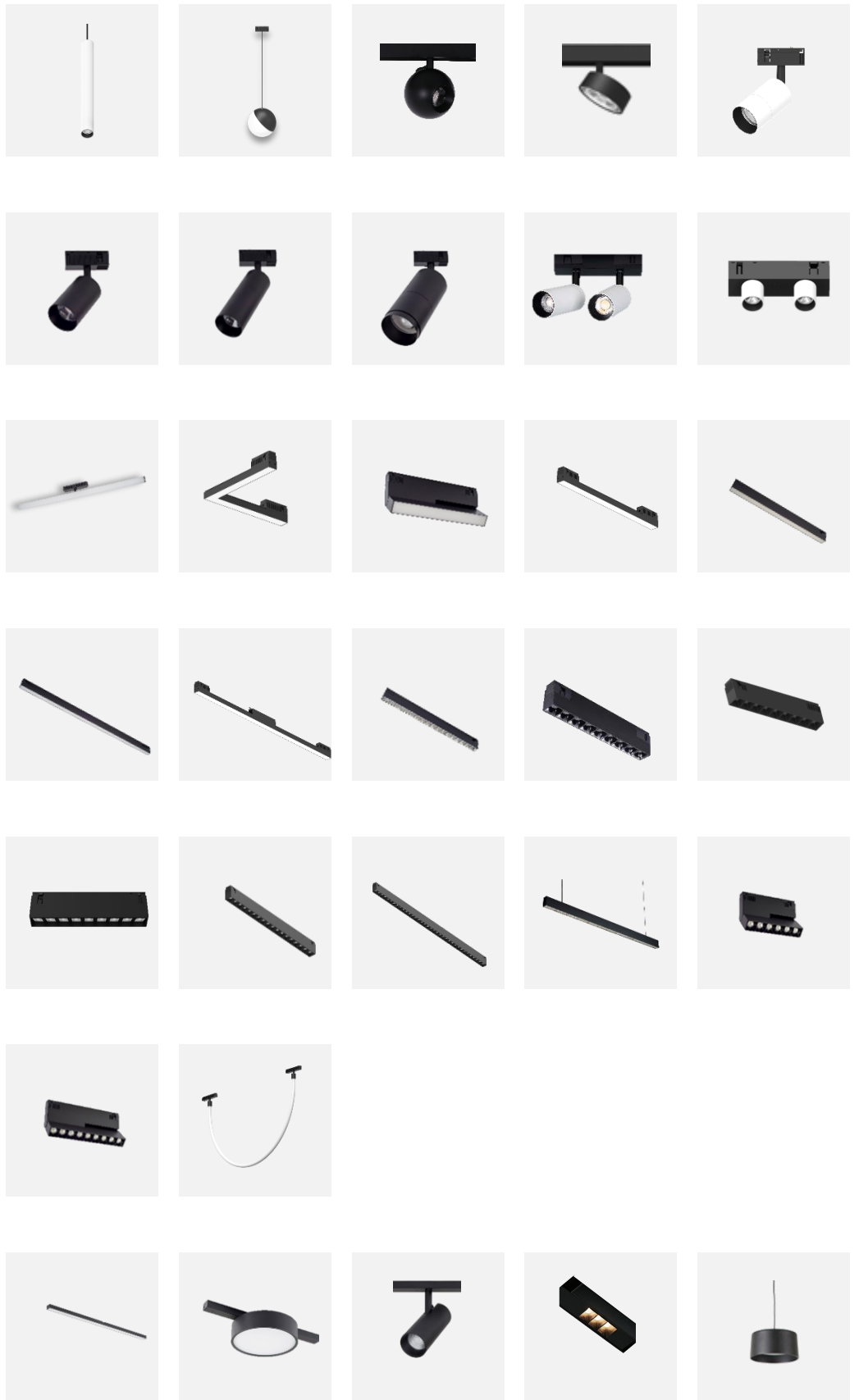
ما با تکیه بر سالها تجربه، در تلاشیم با عرضه محصولات روشنایی لوکس و منحصر بفرد در جهت رشد و توسعه صنعت روشنایی قدم برداشته و کیفیت محصولات و خدمات پس از فروش را در اولویت قرار دهیم.

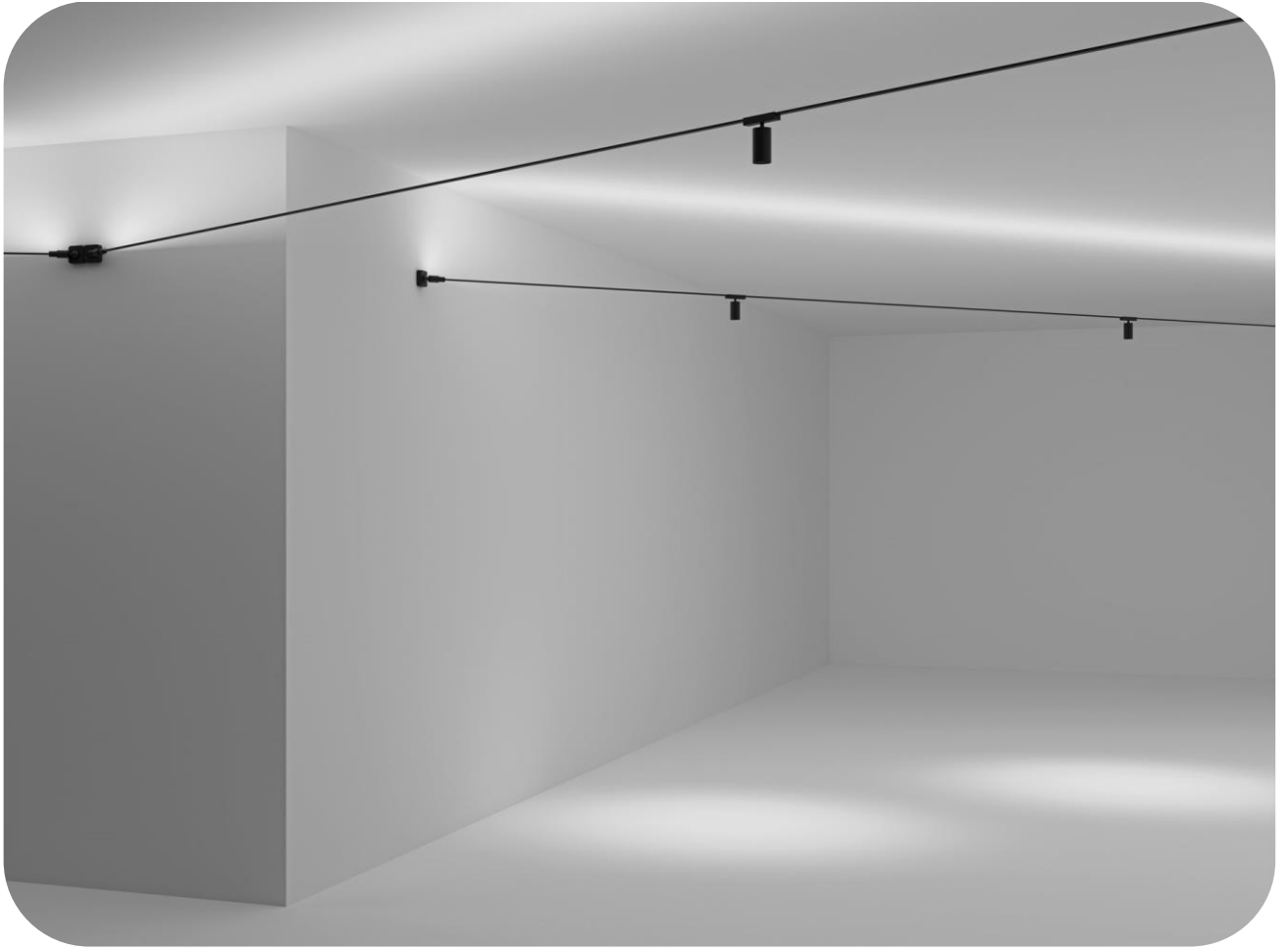
مجموعه نوران به عنوان مشاور، طراح و تامین کننده تجهیزات نورپردازی در پروژه های معماری، طراحی داخلی و فضای سبز در کنار سازندگان و معماران حضور دارد.

Contents

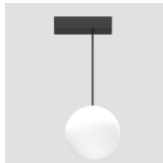
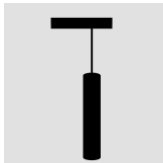
Track Light		Multi Track Light	18
		Flex Track Light	70
		LC Linear Track Light	85
		4 Wire Micro Track Light	97
		Micro Track Light	112
		Brass Track Light	128
Outdoor Light		Bollard Light	151
		Spike Light	170
		Path Light	175
		Surface mounted	188
		Step Light	189
		Outdoor Wall Light	198
	Ceiling-mounted Light	208	
	Pendant Light	244	
	Wall-mounted Light	261	
	Stand & Table Light	306	

Multi Track Light



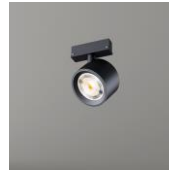


Flex Track Light

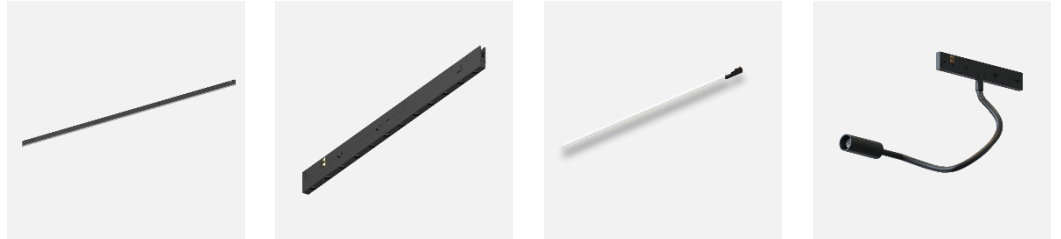




Linear Profile Light

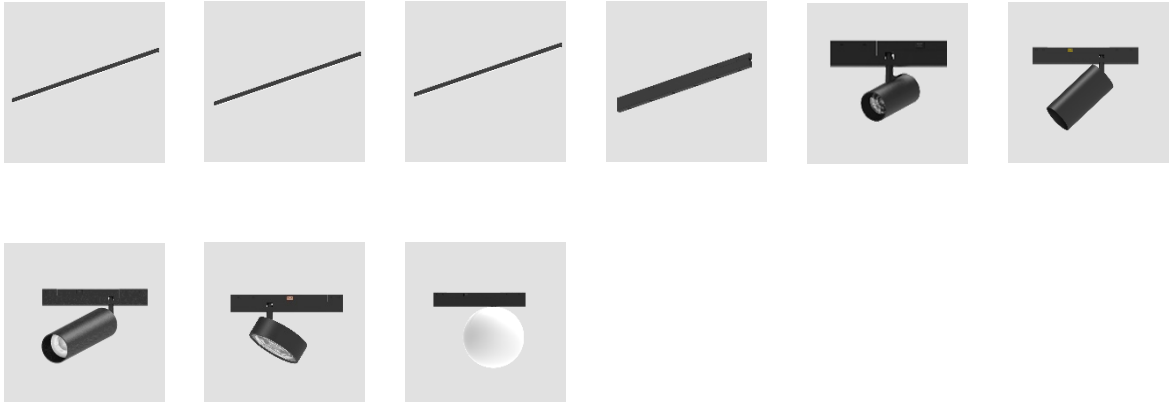


4-Wire Micro Track Light

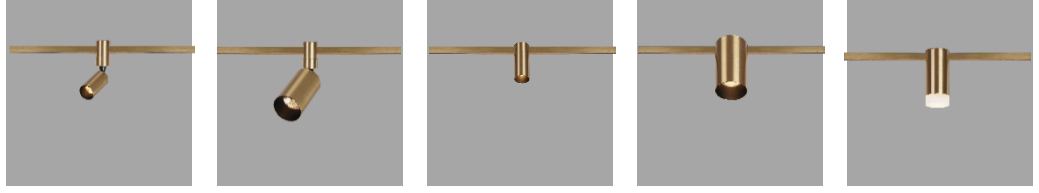




Micro Track Light



Brass Multi Track Light



Colors



Anodized gold
HCG



Anodized copper
HTP

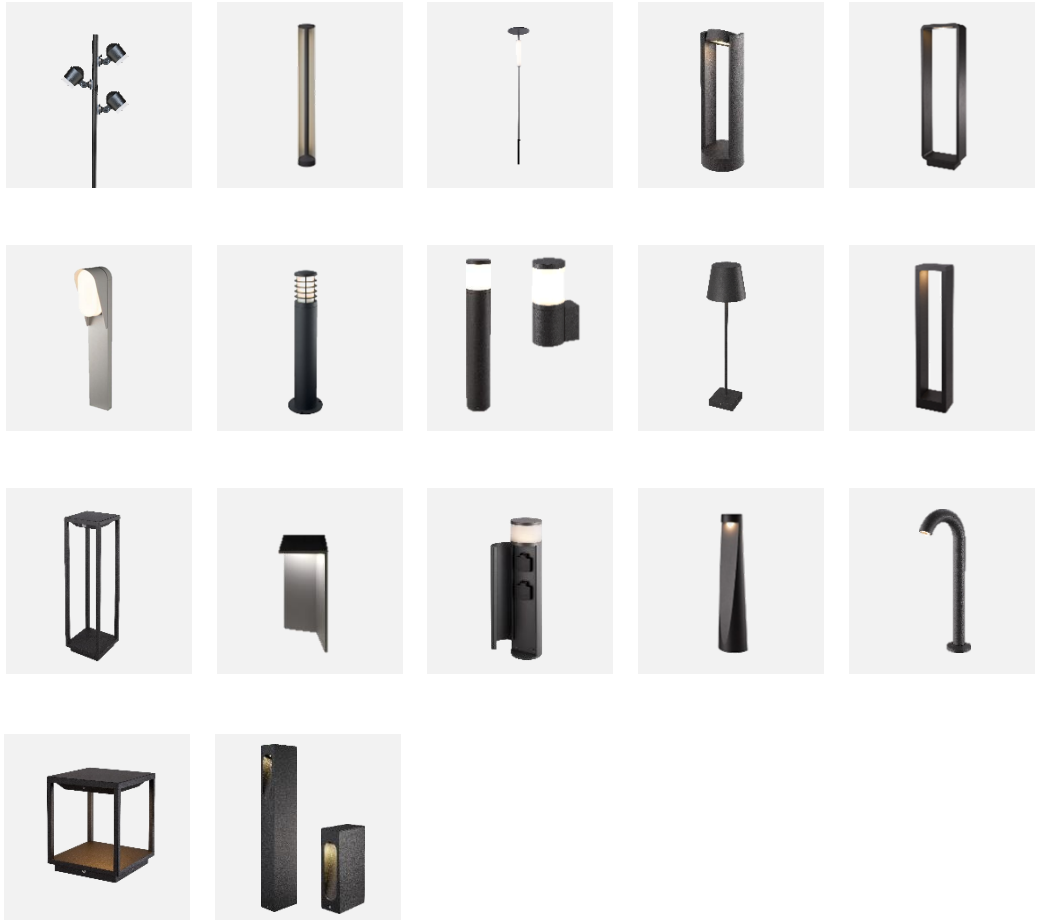


Anodized dark grey
HBM



Paint black
FB03

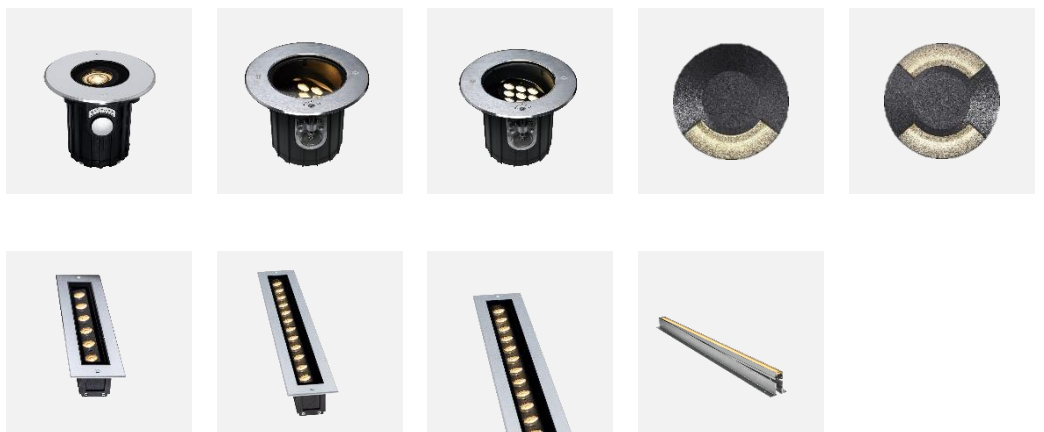
Bollard Light



Spike Light



Path Light



Outdoor ceiling light



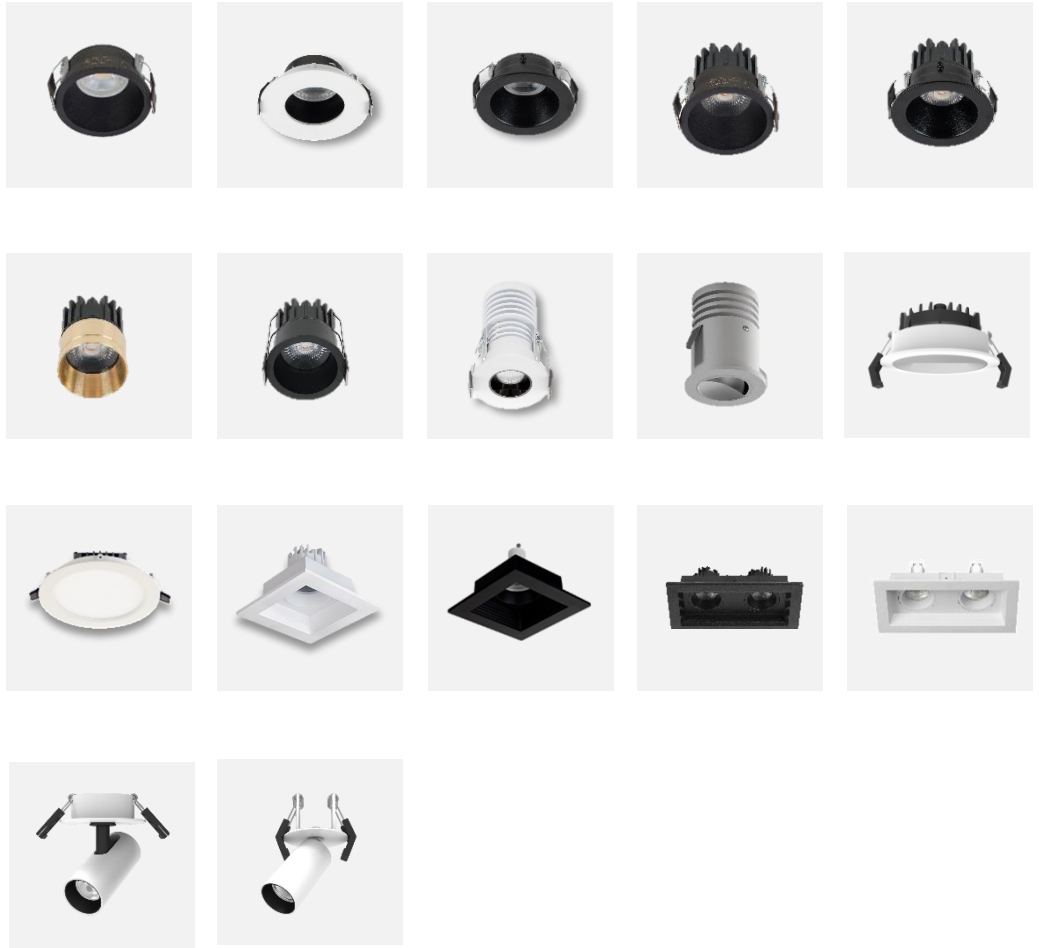
Outdoor step light



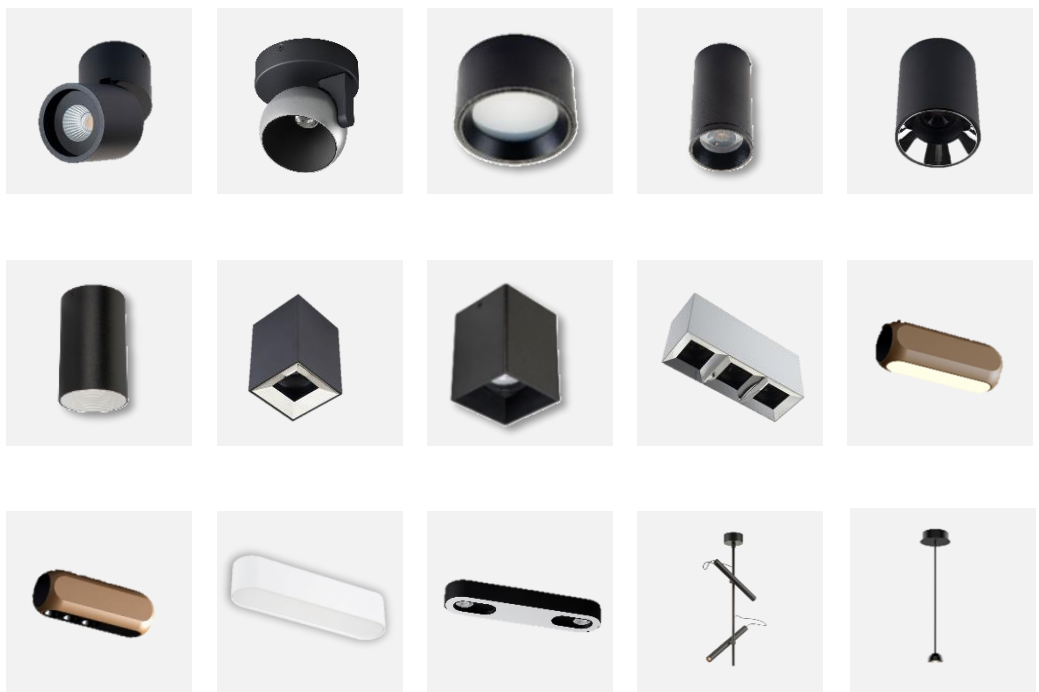
Outdoor wall light



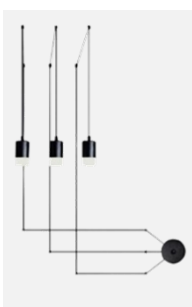
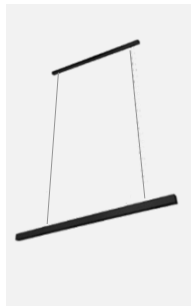
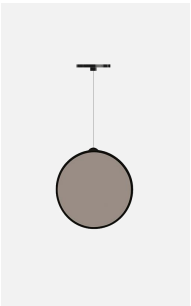
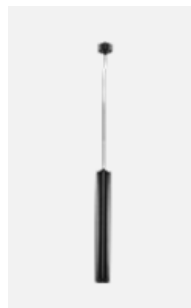
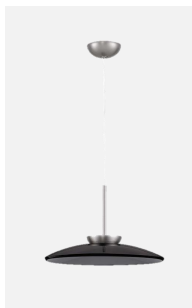
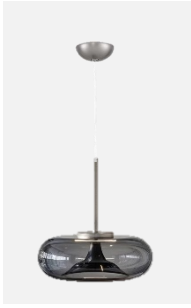
Recessed Light



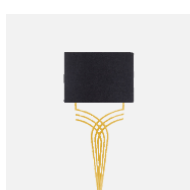
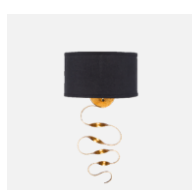
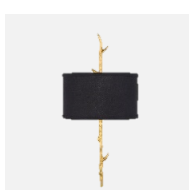
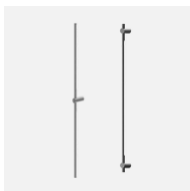
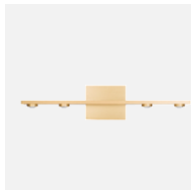
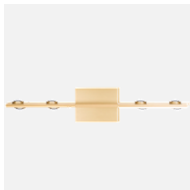
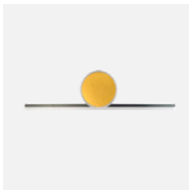
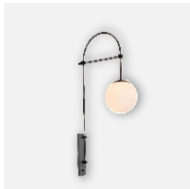
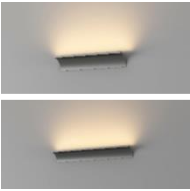
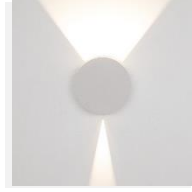
Surface-mounted Light



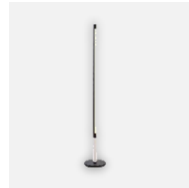
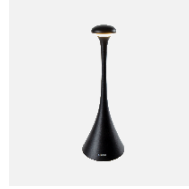
Pendant Light



Wall-mounted Light



Stand & Table Light





Multi Track Light



Description of Accessories

Round Profile ▶



Diameter	Code No.	Color
2m	T192	White
	T193	Black
3m	T194	White
	T195	Black

Track Installation Connectors & Accessories ▶



T173 (BLK) – 600mm cable
T202 (WHT) – 600mm cable



T176 (BLK)
T203 (WHT)

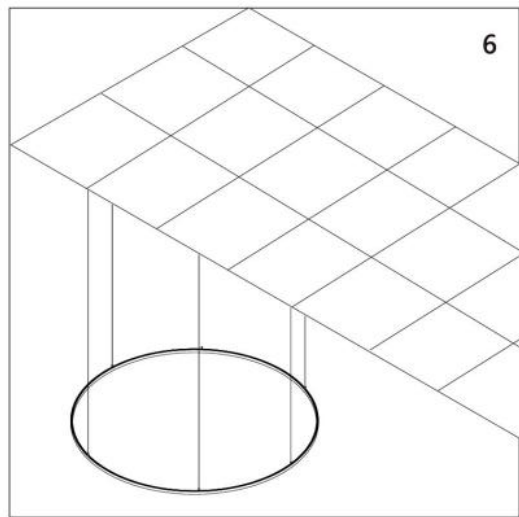
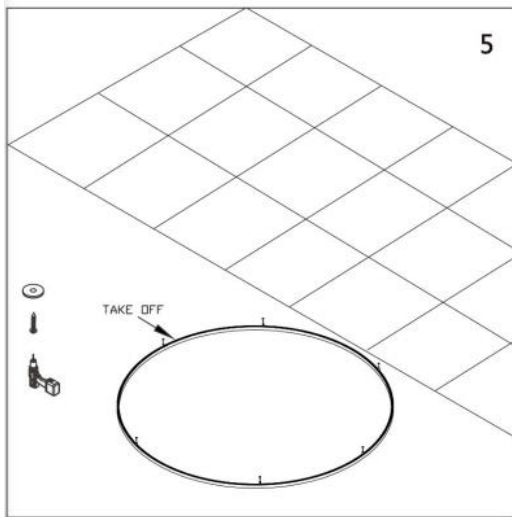
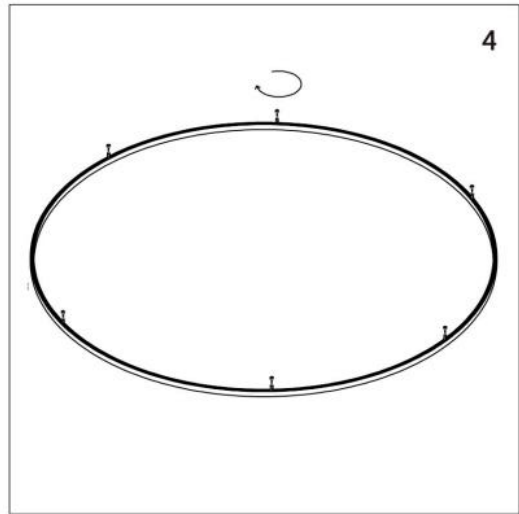
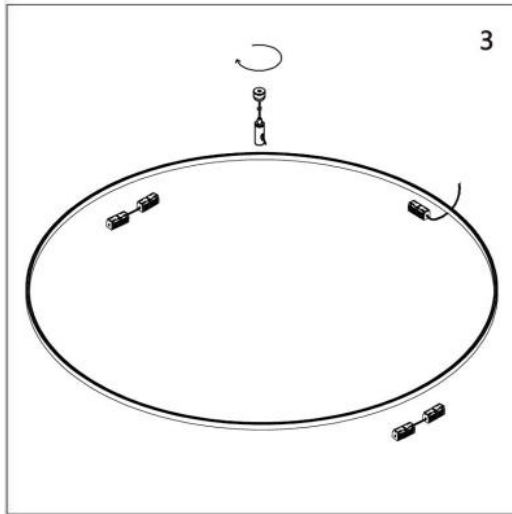
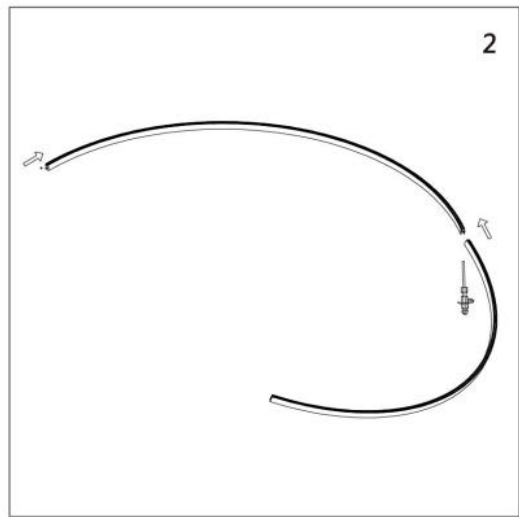
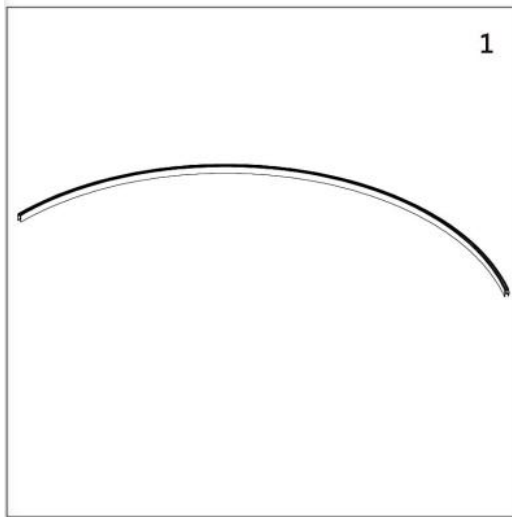


T300 (BLK)
T301 WHT)



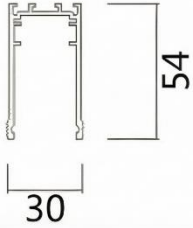
T167 (T127)

Installation exploded view



Description of Accessories

Surface Track ▶



Diameter	Code	Color
600mm	T126	Black
2000mm	T315	Anodized dark gray



Track Installation Connectors & Accessories



T173 (BLK) – 600mm cable
T202 (WHT) – 600mm cable



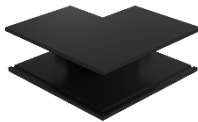
T176 (BLK)
T203 (WHT)



T300 (BLK)
T301 (WHT)



T165 (BLK)
T199 (WHT)



T166 (BLK)



T128 (BLK)



T167/T127 (Silver)
T347 (BLK)



T172 (BLK)
T201 (WHT)



Diameter	Code No.	Color
3000mm	T171	Black
	T371	White



T183 (BLK)
T273 (WHT)



T184 (BLK)
T204 (WHT)



T185 (BLK)

Installation of Surface Track

T161
T162
T198
T207
T208

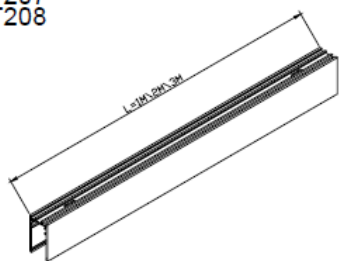


FIG-1

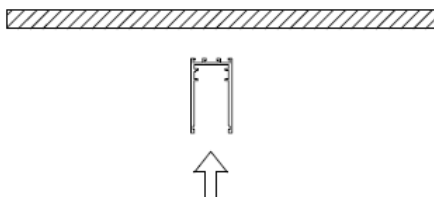


FIG-2

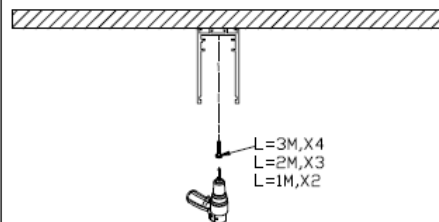
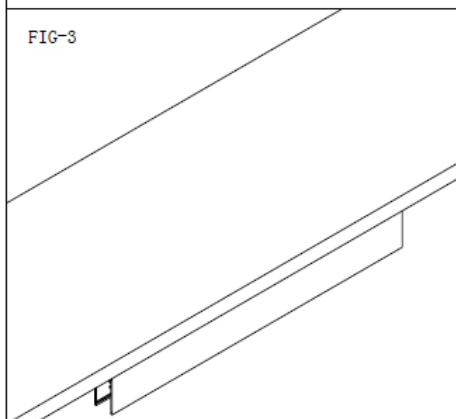
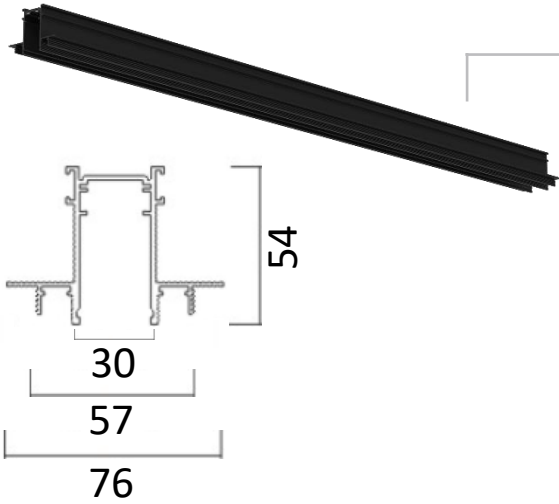


FIG-3



Description of Accessories

Recessed Track ▶



Diameter	Code No.	Color
2000mm	T158	Black
3000mm	T206	Black

Track Installation Connectors & Accessories



T173 (BLK) – 600mm cable
T202 (WHT) – 600mm cable



T176 (BLK)
T203 (WHT)



T300 (BLK)
T301 (WHT)



T159 (BLK)
T197 (WHT)



T160 (BLK)

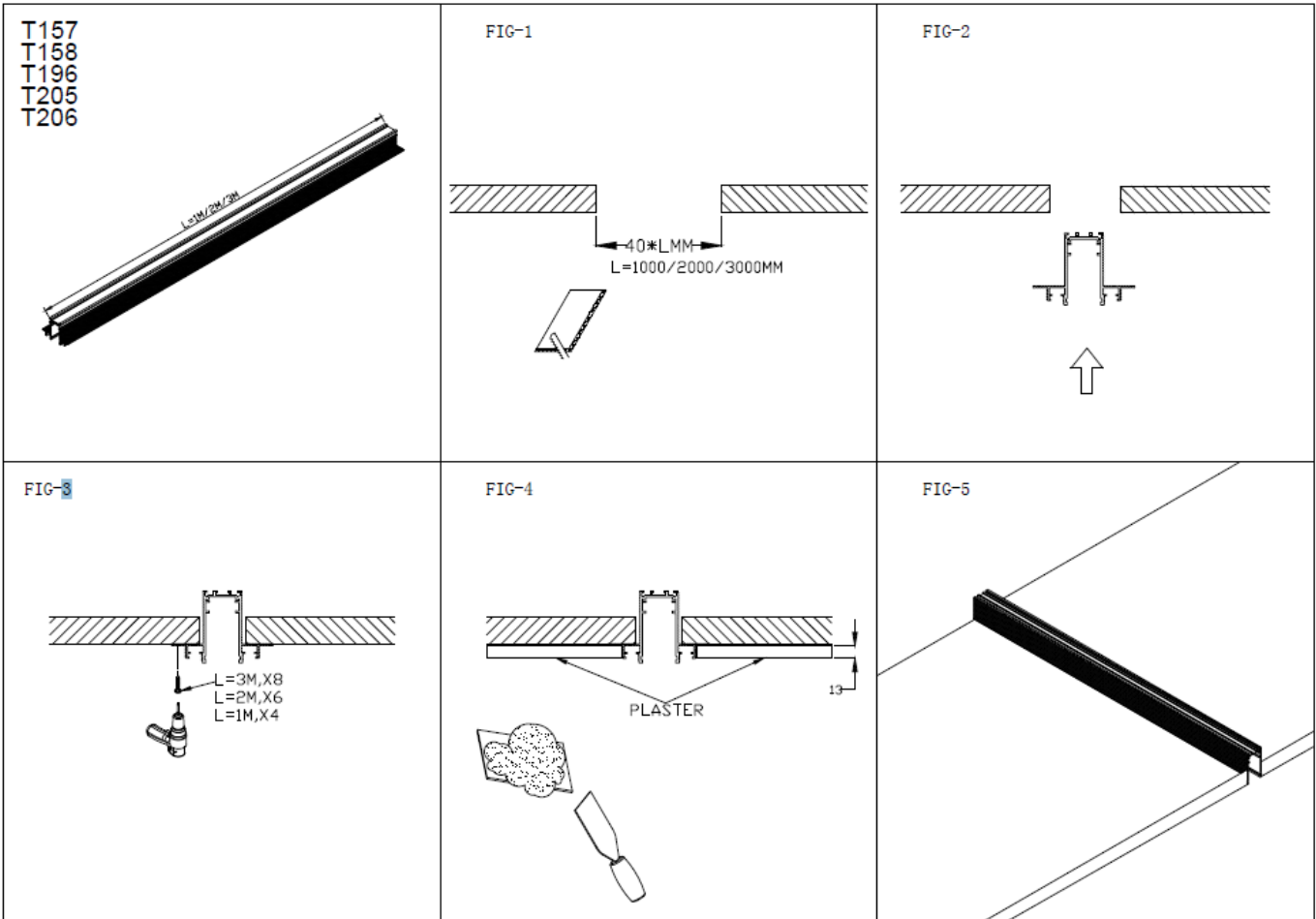


T172 (BLK)
T201 (WHT)



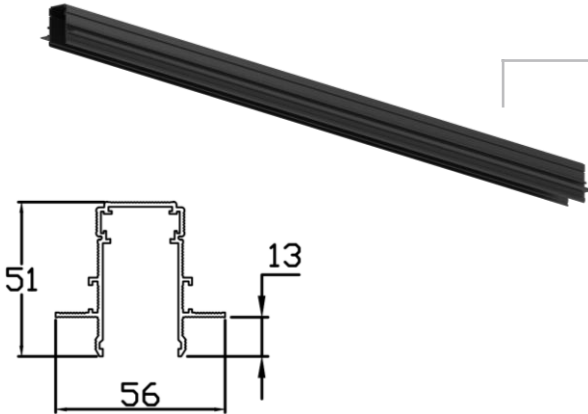
Diameter	Code No.	Color
3000mm	T171	Black
	T371	White

Installation of Recessed Track



Description of Accessories

Recessed Track ▶



Diameter	Code No.	Color
2000mm	T306	Black
	T316	White
3000mm	T307	Black
	T317	White

Track Installation Connectors & Accessories



T173 (BLK) – 600mm cable
T202 (WHT) – 600mm cable



T176 (BLK)
T203 (WHT)



T300 (BLK)
T301 (WHT)



T308 (BLK)
T318 (WHT)



T309 (BLK)
T319 (WHT)



Diameter	Code No.	Color
3000mm	T171	Black
	T371	White

Installation of Recessed Track

AT-600P

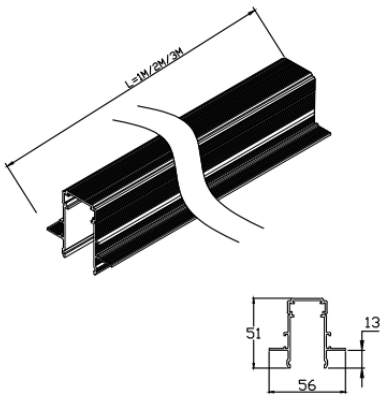


FIG-1

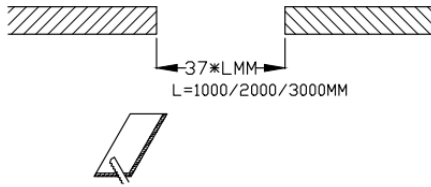


FIG-2

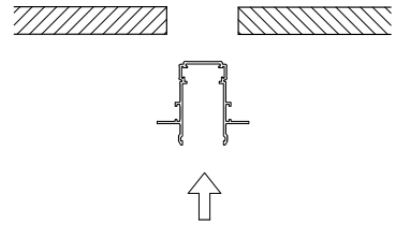


FIG-3

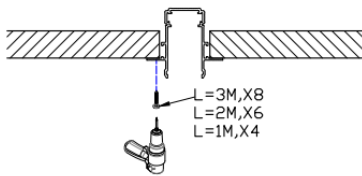


FIG-4

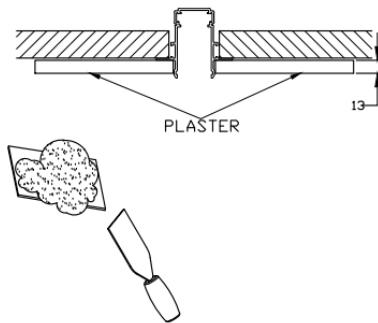
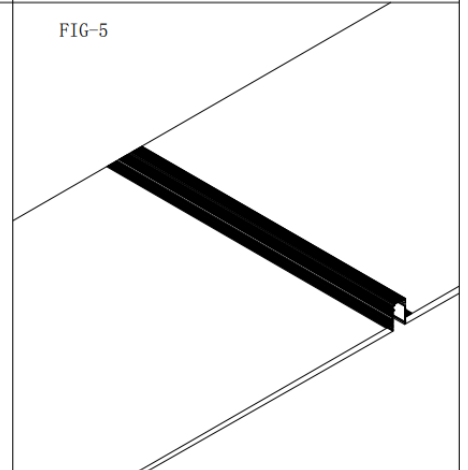
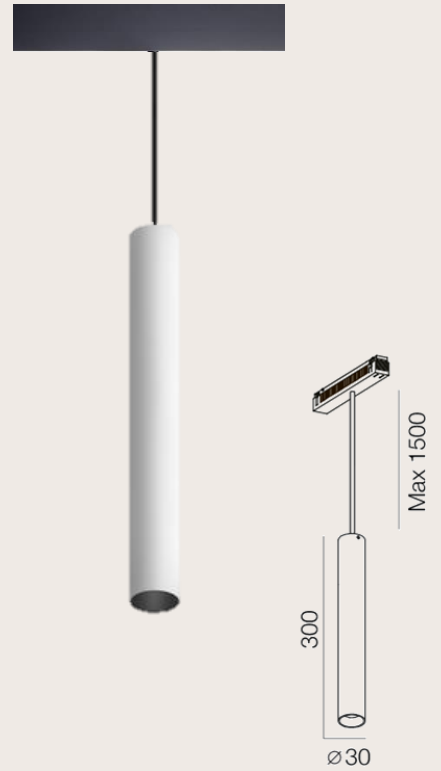


FIG-5

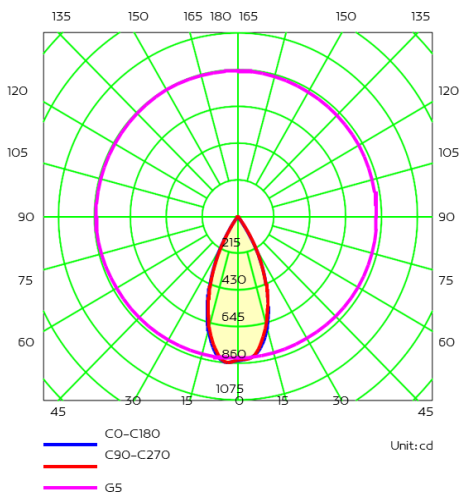


Code	T246 (WHT) / T180 (WHT)		
Input Voltage	DC48 350MA		
Power(Watts)	8W . 6.7W		
Lumen	470lm. 522lm		
Lamp holder	Ceramic PCB		
Light Source	CREE CXA 1304		
Beam Angle	70° . 50°		
Color Temperature	3000K		
CRI ≥	80		
IP level	IP20		
Main Material	Aluminum		
Body Color	WHT		
Wire connection way	Track Adaptor		
Class	<input type="checkbox"/> I	<input type="checkbox"/> II	<input checked="" type="checkbox"/> III
Certificates	CE . ROHS		

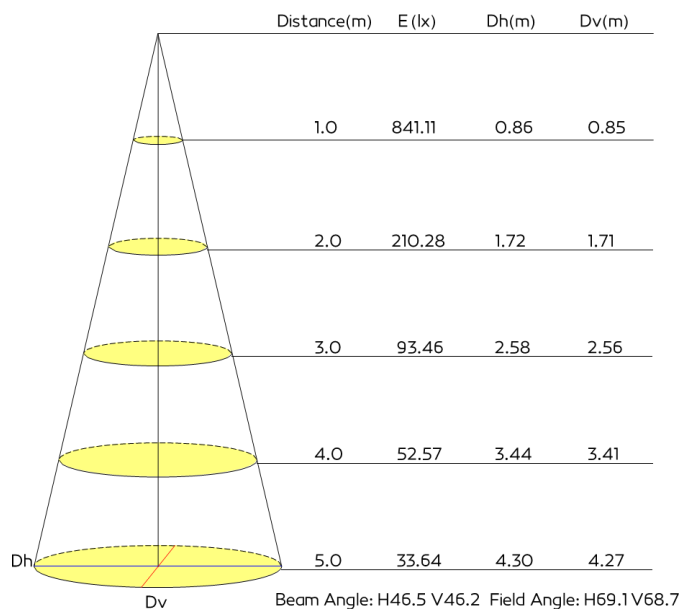


Optic Data

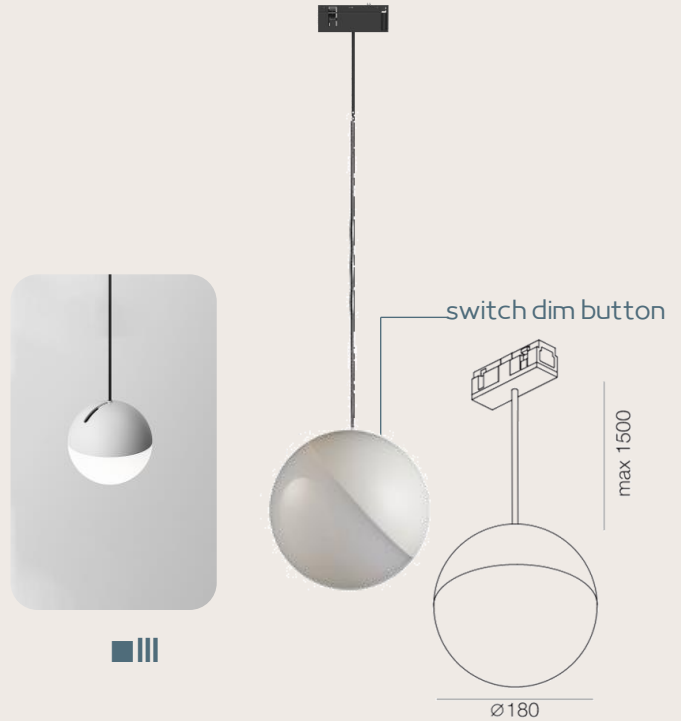
Luminous Intensity Distribution Curve



AAI Figure

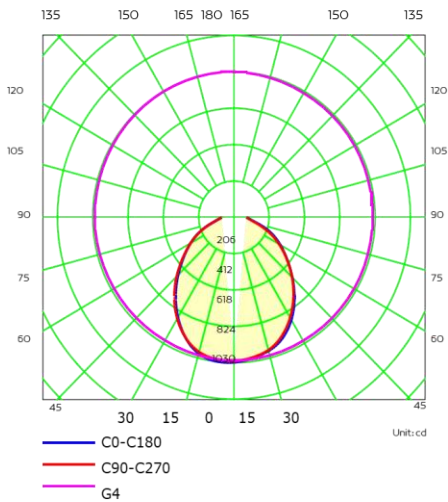


Code	T254 (WHT)
Input Voltage	DC48
Power(Watts)	28W
Lumen	2182lm
Lamp holder	Aluminum PCB
Light Source	CREE 3030
Beam Angle	101°
Color Temperature	3000K
CRI ≥	80
IP level	IP20
Main Material	Aluminum
Body Color	WHT
Wire connection way	Track Adaptor
Class	<input type="checkbox"/> I <input type="checkbox"/> II <input checked="" type="checkbox"/> III
Certificates	CE . ROHS

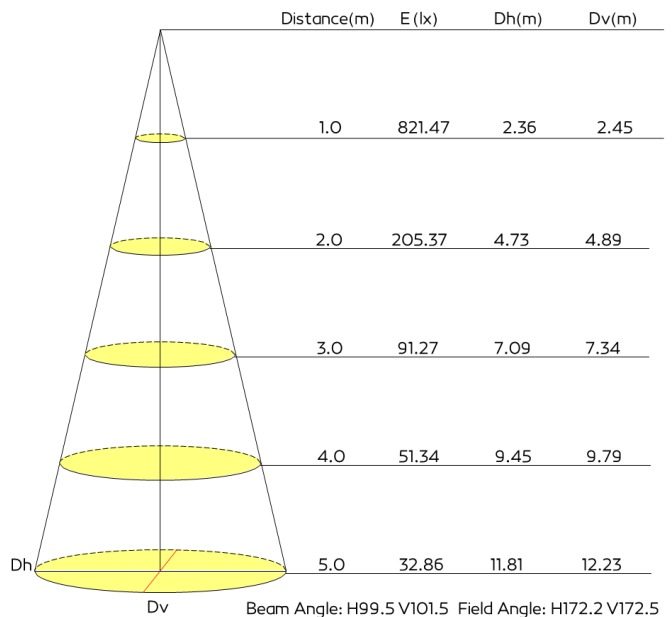


Optic Data

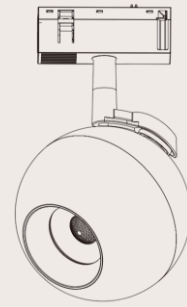
Luminous Intensity Distribution Curve



AAI Figure



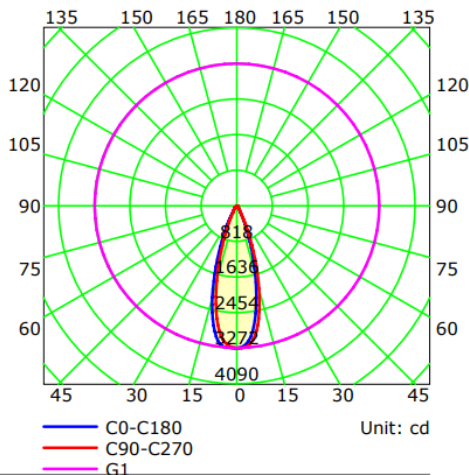
Code	T321(BLK)
Input Voltage	DC48
Power(Watts)	13W
Lumen	2087lm
Lamp holder	Ceramic PCB
Light Source	CREE CXA1512(18V)
Beam Angle	30°
Color Temperature	3000K
CRI ≥	90
IP level	IP20
Main Material	Aluminum
Body Color	BLK
Wire connection way	Track Adaptor
Class	<input type="checkbox"/> I <input type="checkbox"/> II <input checked="" type="checkbox"/> III
Certificates	CE . ROHS



φ 100

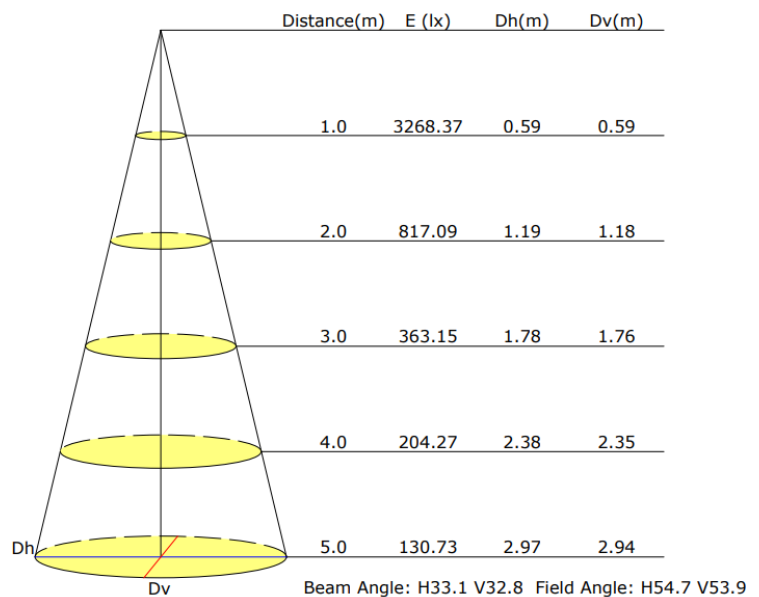
Optic Data

Luminous Intensity Distribution Curve

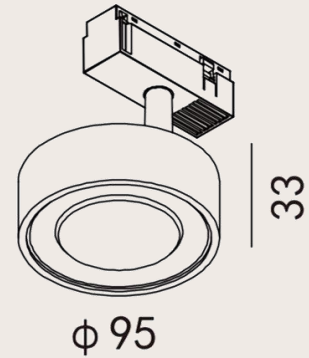


Test Device: GPM-1800
Distance: 10.096 m
Humidity: 71
Inspector:

AAI Figure

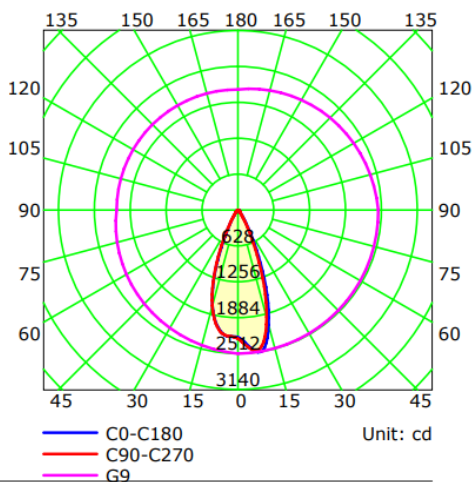


Code	T190(BLK)		
Input Voltage	DC48		
Power(Watts)	13W		
Lumen	2513lm		
Lamp holder	Ceramic PCB		
Light Source	CREE CXA1512(37V)		
Beam Angle	38°		
Color Temperature	3000K		
CRI ≥	90		
IP level	IP20		
Main Material	Aluminum		
Body Color	BLK		
Wire connection way	Track Adaptor		
Class	<input type="checkbox"/> I	<input type="checkbox"/> II	<input checked="" type="checkbox"/> III
Certificates	CE . ROHS		



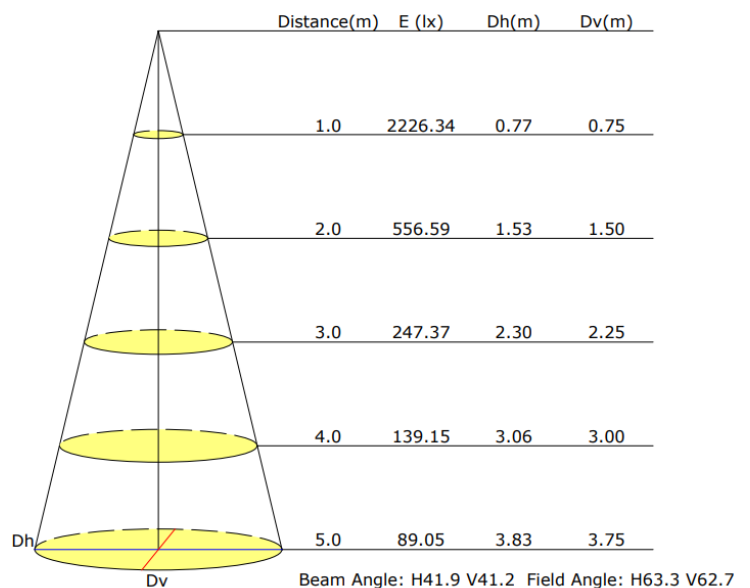
Optic Data

Luminous Intensity Distribution Curve

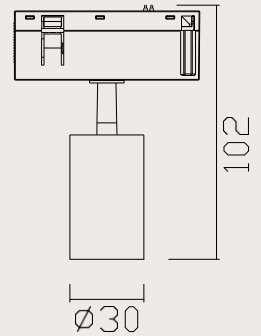


Test Device: GPM-1800
Distance: 10.096 m
Humidity: 71
Inspector:

AAI Figure

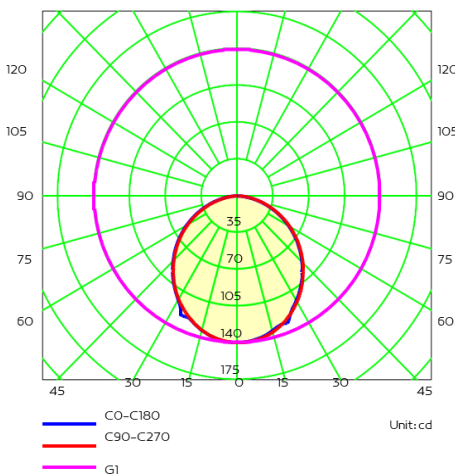


Code	T380 (WHT) / T311 (Dark Gray) / T312 (Nickel)	
Input Voltage	DC48 700MA	
Power(Watts)	6.7W	
Lumen	657lm	
Lamp holder	Ceramic PCB	
Light Source	Bridgelux C6	
Beam Angle	30°	
Color Temperature	3000K	
CRI ≥	80	
IP level	IP20	
Main Material	Aluminum	
Wire connection way	Track Adaptor	
Class	<input type="checkbox"/> I	<input type="checkbox"/> II <input checked="" type="checkbox"/> III
Certificates	CE . ROHS	

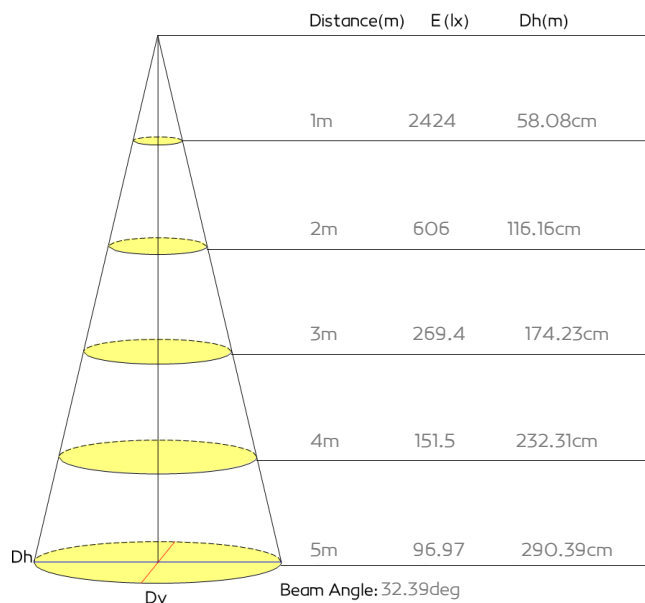


Optic Data

Luminous Intensity Distribution Curve



AAI Figure

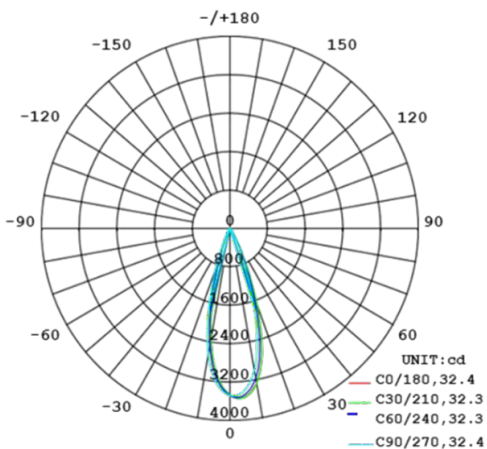


Code	T232 (WHT) / T233 (BLK) / T322 (Dark gray) / T323 (Nickel)		
Input Voltage	DC48 350MA		
Power(Watts)	14W		
Lumen	1446lm		
Lamp holder	Ceramic PCB		
Light Source	CREE CXA1512		
Beam Angle	30°		
Color Temperature	3000K		
CRI ≥	80		
IP level	IP20		
Main Material	Aluminum		
Wire connection way	Track Adaptor		
Class	<input type="checkbox"/> I	<input type="checkbox"/> II	<input checked="" type="checkbox"/> III
Certificates	CE . ROHS		

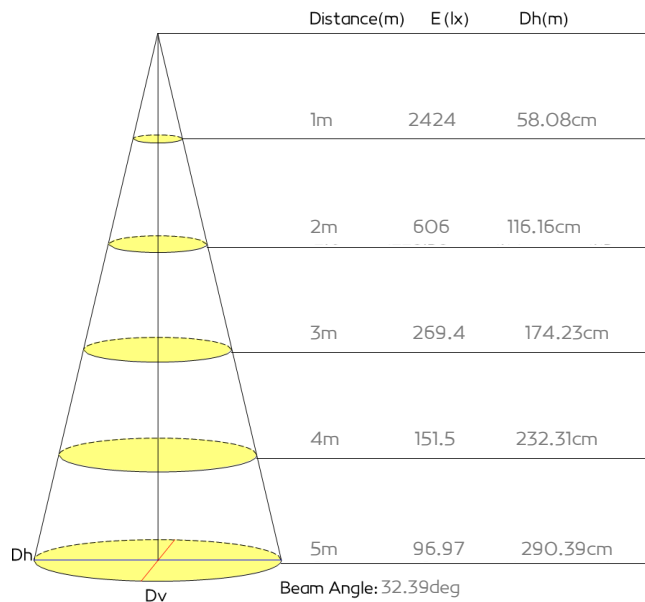


Optic Data

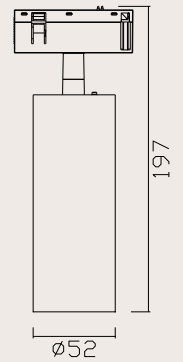
Luminous Intensity Distribution Curve



AAI Figure

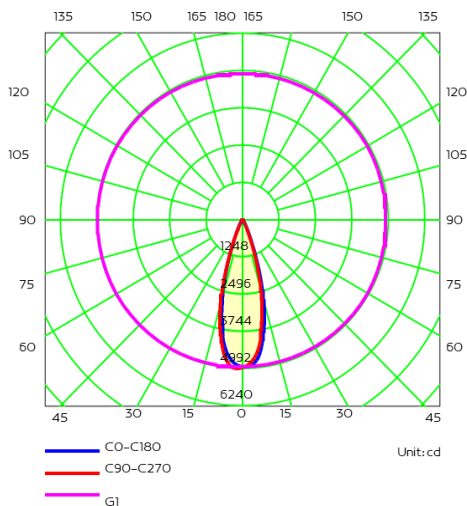


Code	T235 (BLK)
Input Voltage	DC48 500MA
Power(Watts)	19W
Lumen	1890lm
Lamp holder	Ceramic PCB
Light Source	CREE CXB1512
Beam Angle	30°
Color Temperature	3000K
CRI ≥	80
IP level	IP20
Main Material	Aluminum
Body Color	BLK
Wire connection way	Track Adaptor
Class	<input type="checkbox"/> I <input type="checkbox"/> II <input checked="" type="checkbox"/> III
Certificates	CE . ROHS

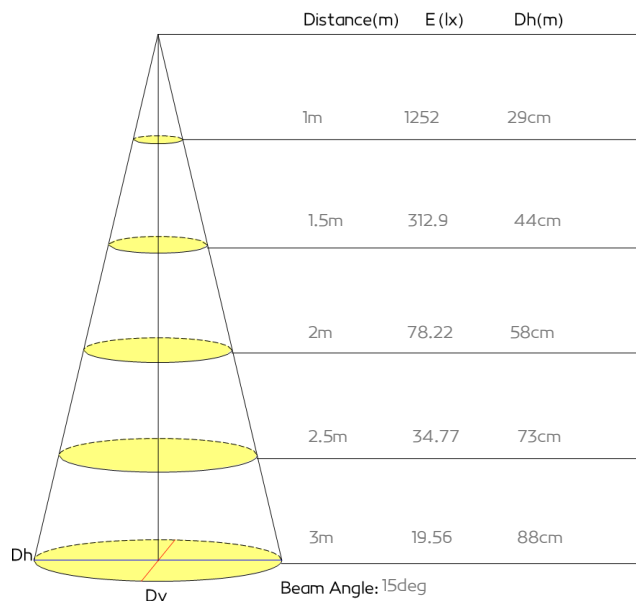


Optic Data

Luminous Intensity Distribution Curve



AAI Figure

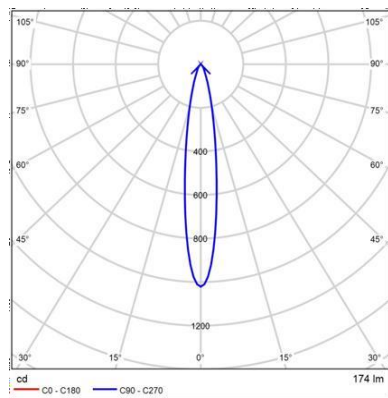


Code	T243 (BLK)
Input Voltage	DC48 DC 700MA
Power(Watts)	25W
Lumen	1808lm-1927lm
Lamp holder	Ceramic PCB
Light Source	Bridgelux V9
Beam Angle	Adjustable 15° to 50°
Color Temperature	3000K
CRI ≥	80
IP level	IP20
Main Material	Aluminum
Body Color	BLK
Wire connection way	Track Adaptor
Class	<input type="checkbox"/> I <input type="checkbox"/> II
Certificates	CE . ROHS

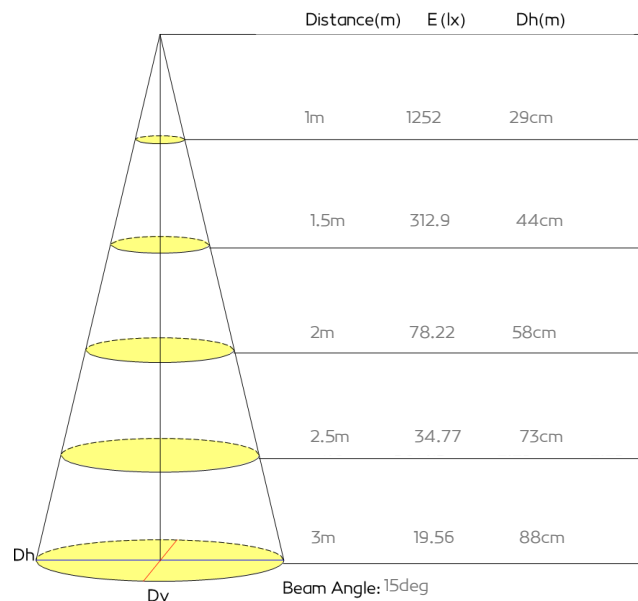


Optic Data

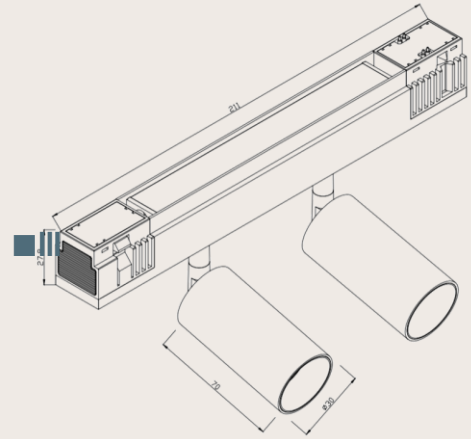
Luminous Intensity Distribution Curve



AAI Figure



Code	T314 (BLK)
Input Voltage	DC48
Power(Watts)	13W
Lumen	1696lm
Lamp holder	Ceramic PCB
Color Temperature	3000K
CRI ≥	90
IP level	IP20
Main Material	Aluminum
Body Color	BLK
Wire connection way	Track Adaptor
Class	<input type="checkbox"/> I <input type="checkbox"/> II
Certificates	CE . ROHS

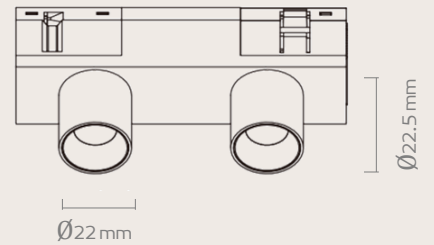
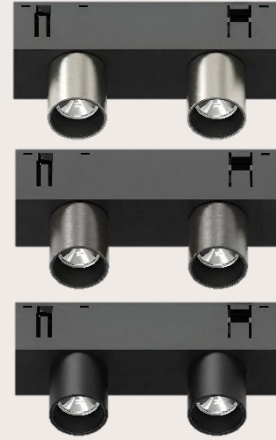


Optic Data

Luminous Intensity Distribution Curve

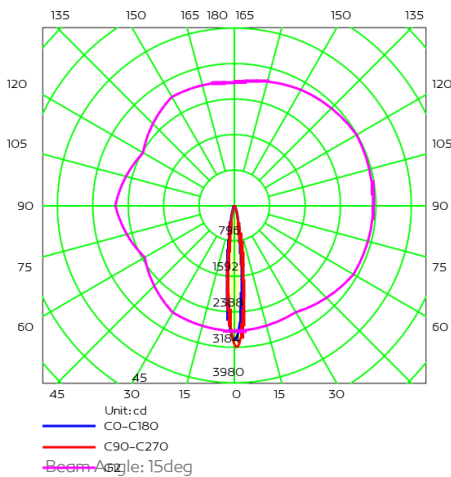
AAI Figure

Code	T293 (BLK) / T324 (Dark gray) / T325 (Nickel)		
Input Voltage	DC48 DC 500MA		
Power(Watts)	2x2W (4W)		
Lumen	264lm		
Lamp holder	Aluminum PCB		
Light Source	CREE XPE-2		
Beam Angle	24°		
Color Temperature	3000K		
CRI ≥	80		
IP level	IP20		
Main Material	Aluminum		
Wire connection way	Track Adaptor		
Class	<input type="checkbox"/> I	<input type="checkbox"/> II	<input checked="" type="checkbox"/> III
Certificates	CE . ROHS		

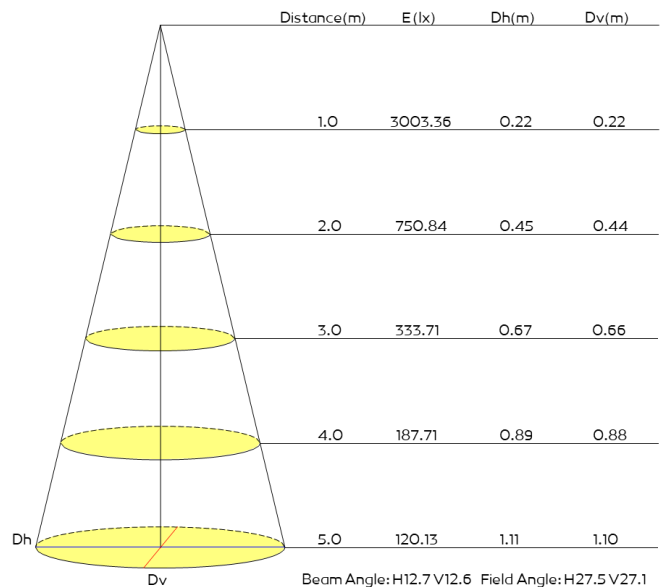


Optic Data

Luminous Intensity Distribution Curve



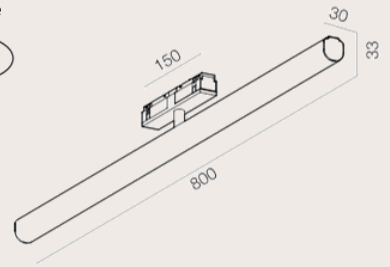
AAI Figure



Code	T240 (WHT) / T241 (BLK)	
Input Voltage	DC48 700MA	
Power(Watts)	20W	
Lumen	1397.6lm	
Lamp holder	Aluminum PCB	
Light Source	Bridgelux 2835	
Beam Angle	110°	
Color Temperature	3000K	
CRI ≥	80	
IP level	IP20	
Main Material	Aluminum	
Wire connection way	WHT / BLK	
Class	Track Adaptor	
Certificates	<input type="checkbox"/> I	<input type="checkbox"/> II
Dimmable	CE . ROHS	

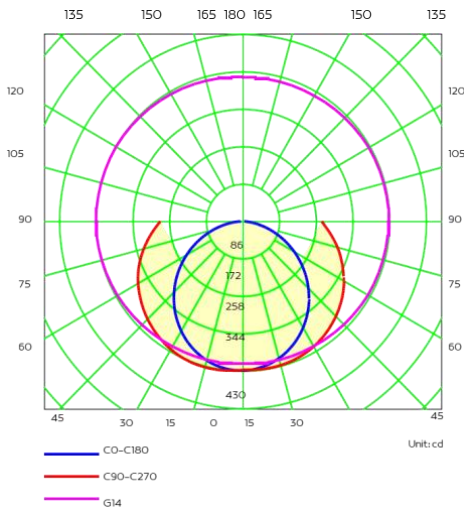


Turnable

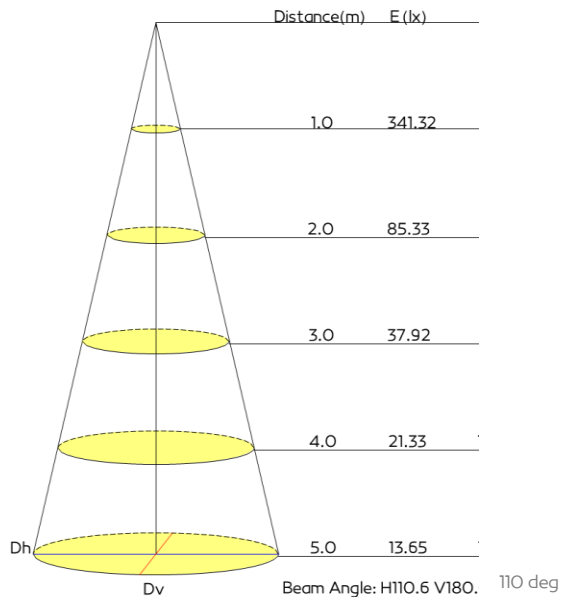


Optic Data

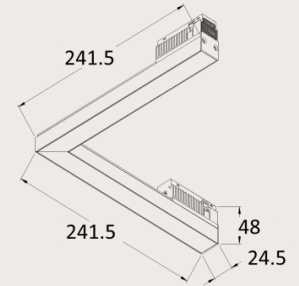
Luminous Intensity Distribution Curve



AAI Figure

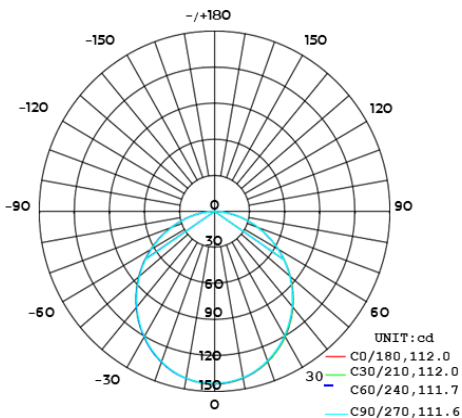


Code	T265 (WHT) / T266 (BLK)		
Input Voltage	DC48		
Power(Watts)	10W		
Lumen	780lm		
Lamp holder	Aluminum PCB		
Light Source	Bridgelux 2835		
Beam Angle	110°		
Color Temperature	3000K		
CRI ≥	80		
IP level	IP20		
Main Material	Aluminum		
Body Color	WHT / BLK		
Wire connection way	Track Adaptor		
Class	<input type="checkbox"/> I	<input type="checkbox"/> II	<input checked="" type="checkbox"/> III
Certificates	CE . ROHS		

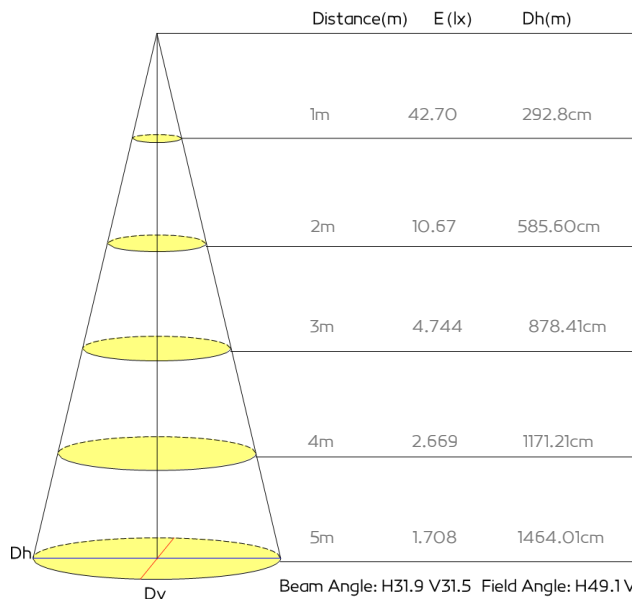


Optic Data

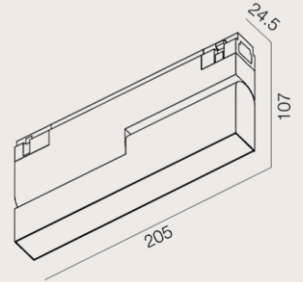
Luminous Intensity Distribution Curve



AAI Figure

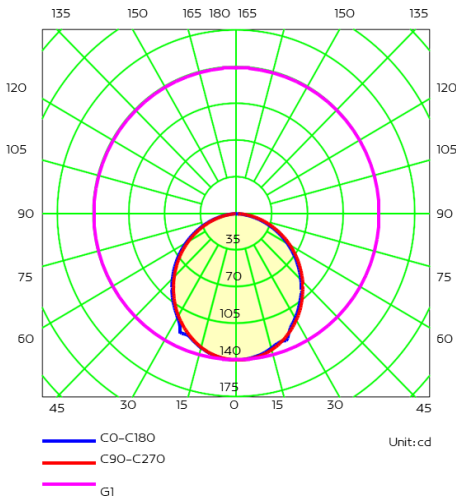


Code	T238 (WHT) / T239 (BLK)		
Input Voltage	DC48 350MA		
Power(Watts)	6W		
Lumen	384.5lm		
Lamp holder	Ceramic PCB		
Light Source	Bridgelux 2835		
Beam Angle	110°		
Color Temperature	3000K		
CRI ≥	80		
IP level	IP20		
Main Material	Aluminum		
Body Color	WHT / BLK		
Wire connection way	Track Adaptor		
Class	<input type="checkbox"/> I	<input type="checkbox"/> II	<input checked="" type="checkbox"/> III
Certificates	CE . ROHS		

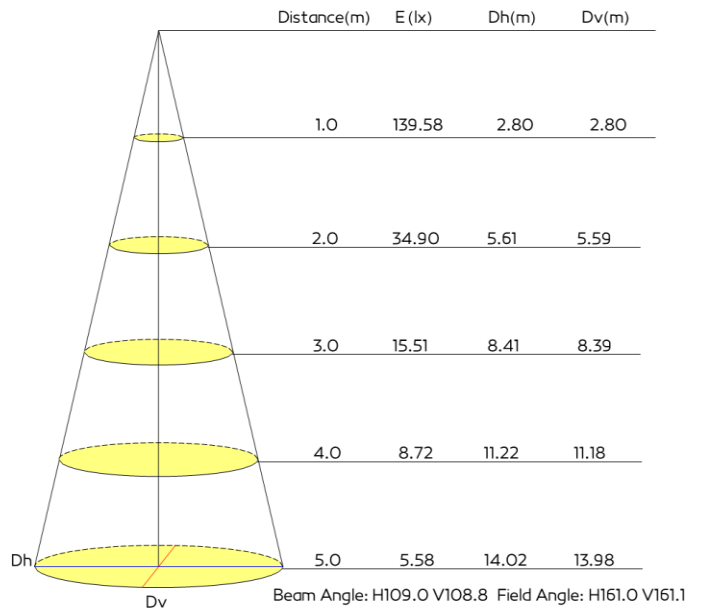


Optic Data

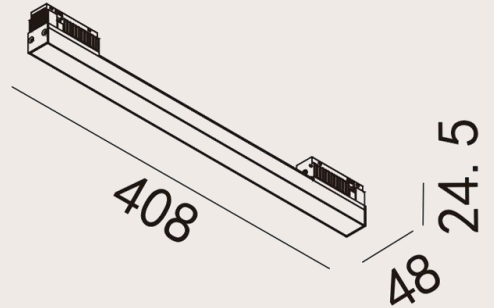
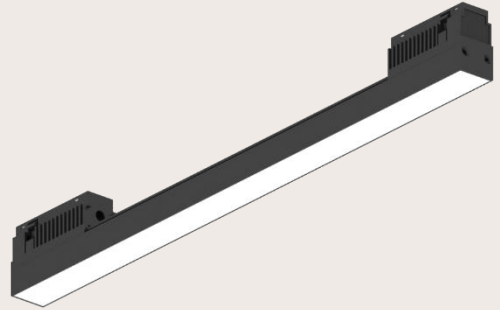
Luminous Intensity Distribution Curve



AAI Figure

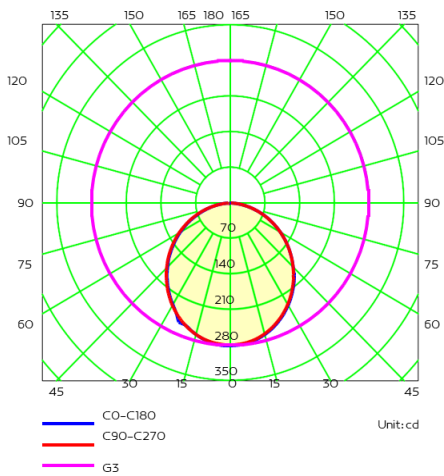


Code	T178 (BLK) / T379 (WHT)		
Input Voltage	DC48 350MA		
Power(Watts)	11W		
Lumen	783lm		
Lamp holder	Aluminum PCB		
Light Source	Bridgelux 2835		
Beam Angle	110°		
Color Temperature	3000K		
CRI ≥	80		
IP level	IP20		
Main Material	Aluminum		
Body Color	WHT / BLK		
Wire connection way	Track Adaptor		
Class	<input type="checkbox"/> I	<input type="checkbox"/> II	<input checked="" type="checkbox"/> III
Certificates	CE . ROHS		

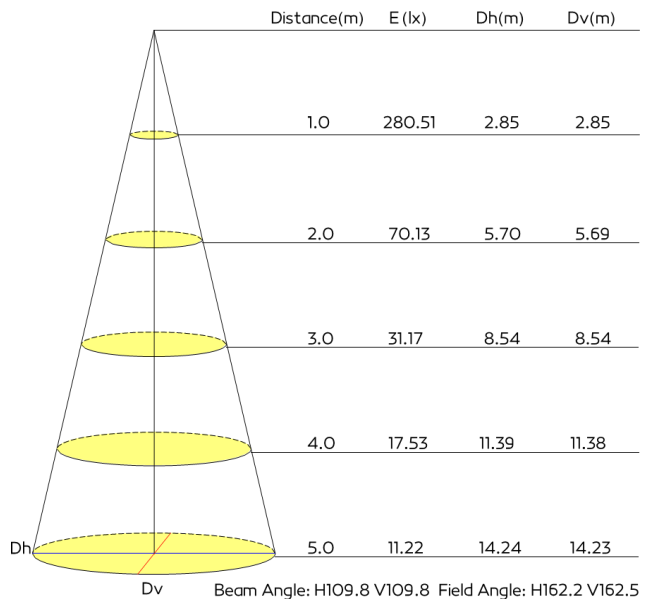


Optic Data

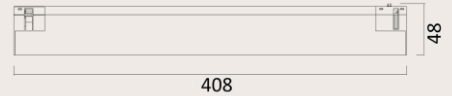
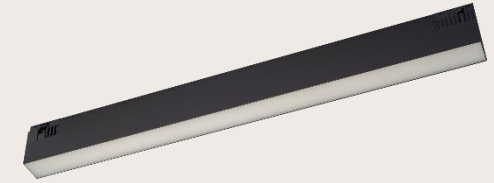
Luminous Intensity Distribution Curve



AAI Figure

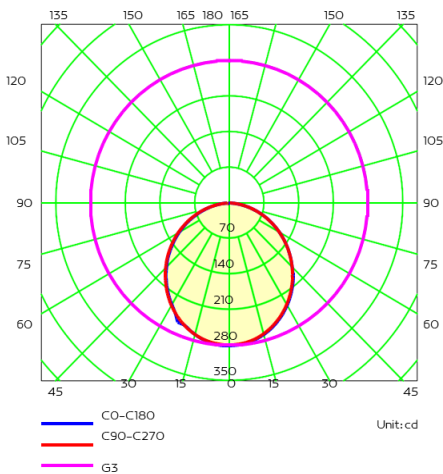


Code	T131 (BLK)		
Input Voltage	DC48 350MA		
Power(Watts)	11W		
Lumen	783lm		
Lamp holder	Aluminum PCB		
Light Source	Bridgelux 2835		
Beam Angle	110°		
Color Temperature	3000K		
CRI ≥	80		
IP level	IP20		
Main Material	Aluminum		
Body Color	BLK		
Wire connection way	Track Adaptor		
Class	<input type="checkbox"/> I	<input type="checkbox"/> II	<input checked="" type="checkbox"/> III
Certificates	CE . ROHS		

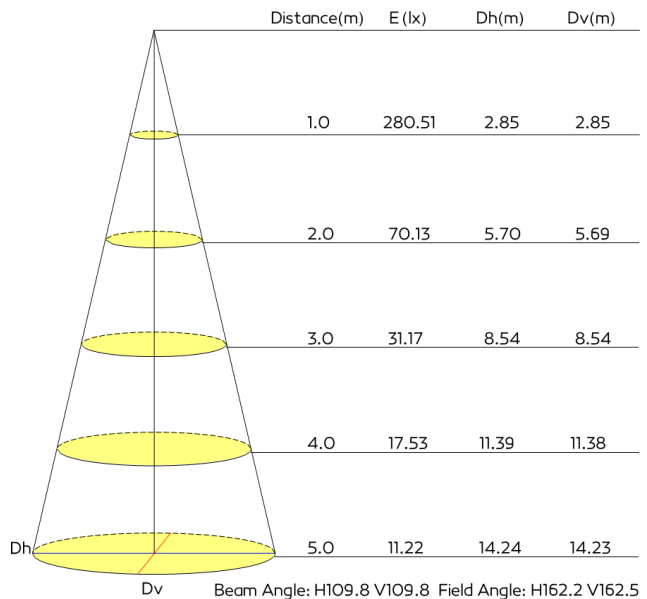


Optic Data

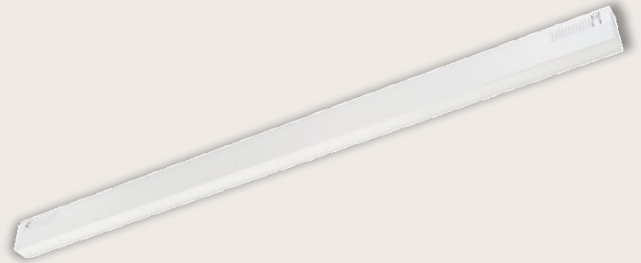
Luminous Intensity Distribution Curve



AAI Figure

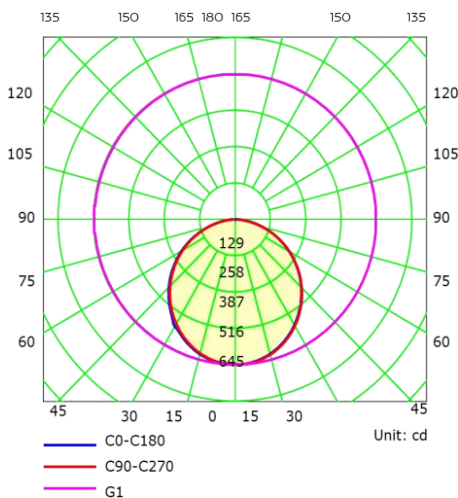


Code	T244 (WHT)
Input Voltage	DC48 500MA
Power(Watts)	18W
Lumen	1470lm
Lamp holder	Aluminum PCB
Light Source	Bridgelux 2835
Beam Angle	110°
Color Temperature	3000K
CRI ≥	80
IP level	IP20
Main Material	Aluminum
Body Color	WHT
Wire connection way	Track Adaptor
Class	<input type="checkbox"/> I <input type="checkbox"/> II <input checked="" type="checkbox"/> III
Certificates	CE . ROHS

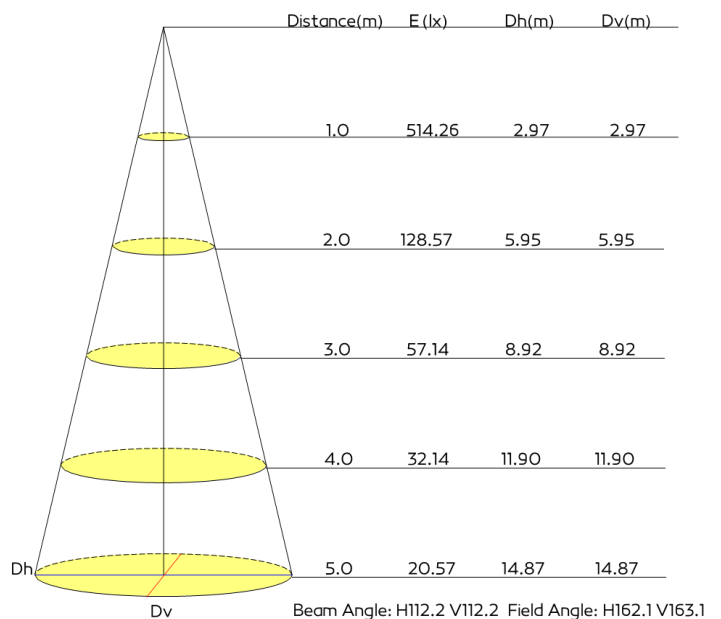


Optic Data

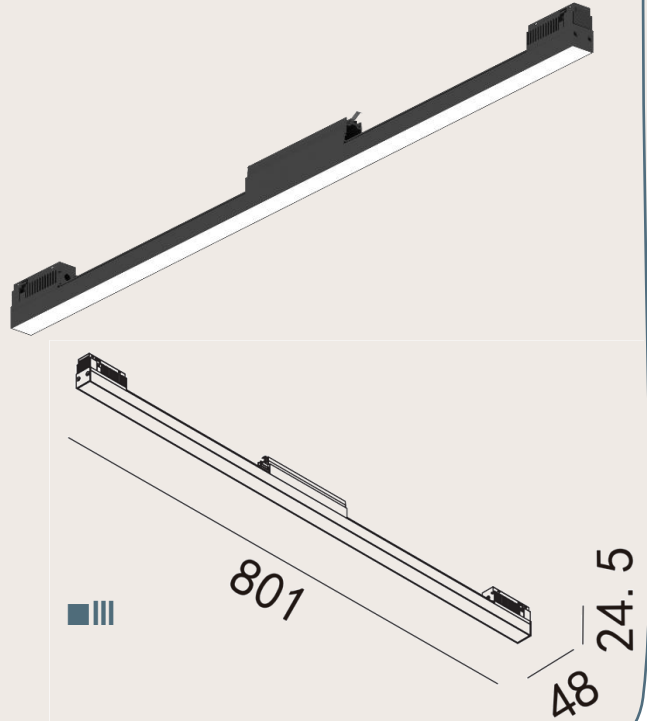
Luminous Intensity Distribution Curve



AAI Figure

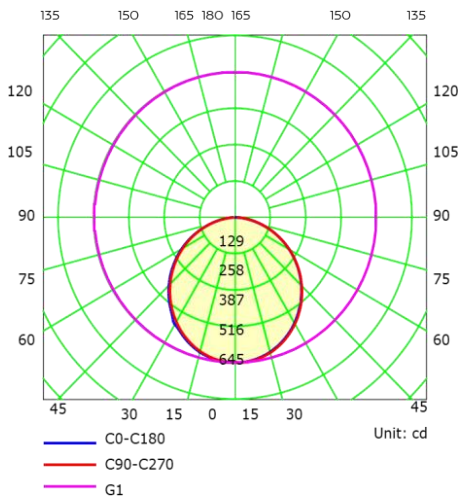


Code	T304 (WHT) / T305 (BLK)	
Input Voltage	DC48 500MA	
Power(Watts)	18W	
Lumen	1470lm	
Lamp holder	Aluminum PCB	
Light Source	Bridgelux 2835	
Beam Angle	110°	
Color Temperature	3000K	
CRI ≥	90	
IP level	IP20	
Main Material	Aluminum	
Body Color	WHT / BLK	
Wire connection way	Track Adaptor	
Class	<input type="checkbox"/> I	<input type="checkbox"/> II
Certificates	CE . ROHS	

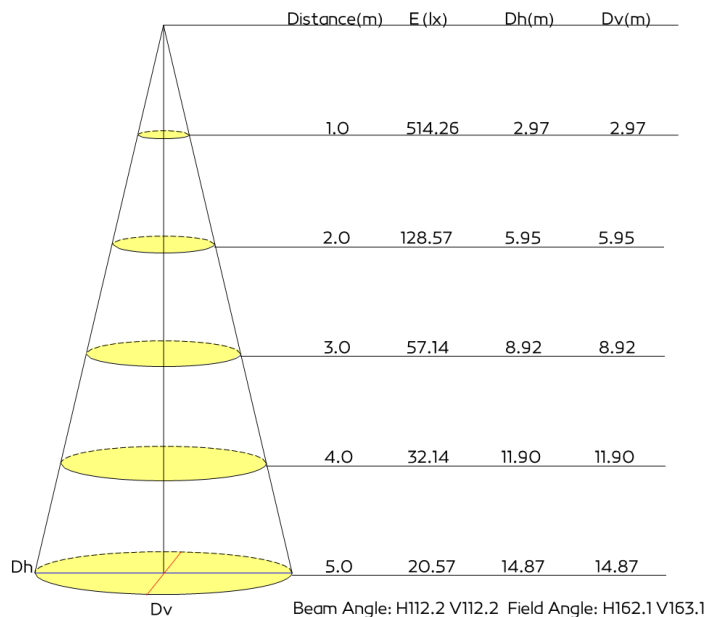


Optic Data

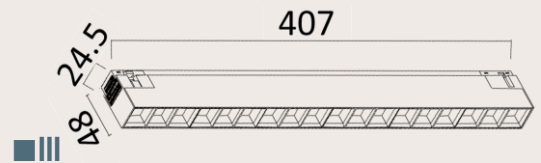
Luminous Intensity Distribution Curve



AAI Figure

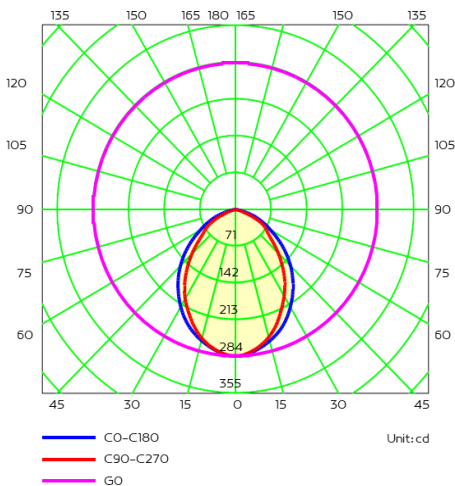


Code	T189 (BLK) / T264 (WHT)	
Input Voltage	DC48 350MA	
Power(Watts)	10W	
Lumen	584.1lm	
Lamp holder	Aluminum PCB	
Light Source	Bridgelux 2835	
Beam Angle	95°	
Color Temperature	3000K	
CRI ≥	80	
IP level	IP20	
Main Material	Aluminum	
Body Color	WHT / BLK	
Wire connection way	Track Adaptor	
Class	<input type="checkbox"/> I	<input type="checkbox"/> II
Certificates	CE . ROHS	

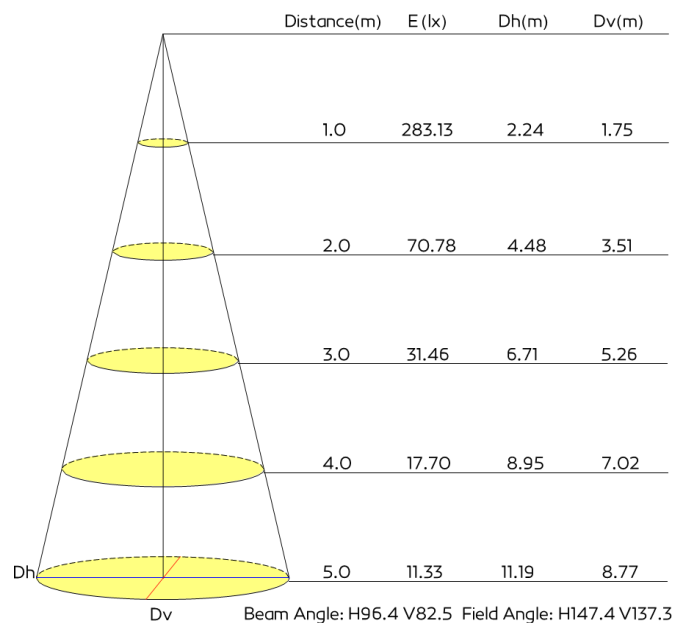


Optic Data

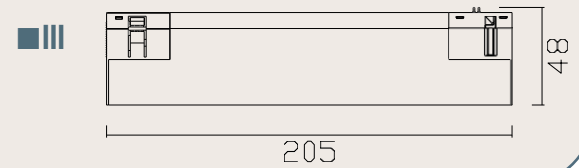
Luminous Intensity Distribution Curve



AAI Figure

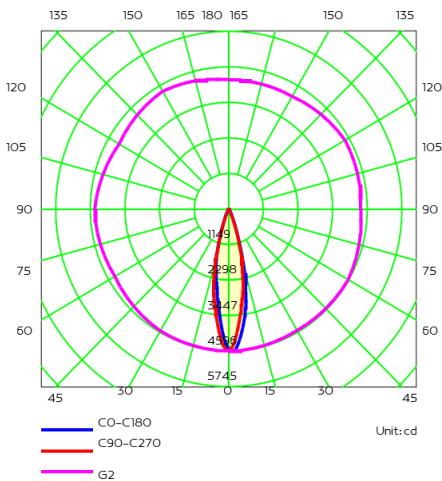


Code	T248 (WHT) / T249(BLK)	
Input Voltage	DC48 350MA	
Power(Watts)	9x1.1W (12W)	
Lumen	849lm	
Lamp holder	Aluminum PCB	
Light Source	CREE XPE-2	
Beam Angle	24°	
Color Temperature	3000K	
CRI ≥	80	
IP level	IP20	
Main Material	Aluminum	
Body Color	WHT	
Wire connection way	Track Adaptor	
Class	<input type="checkbox"/> I	<input type="checkbox"/> II
Certificates	CE . ROHS	

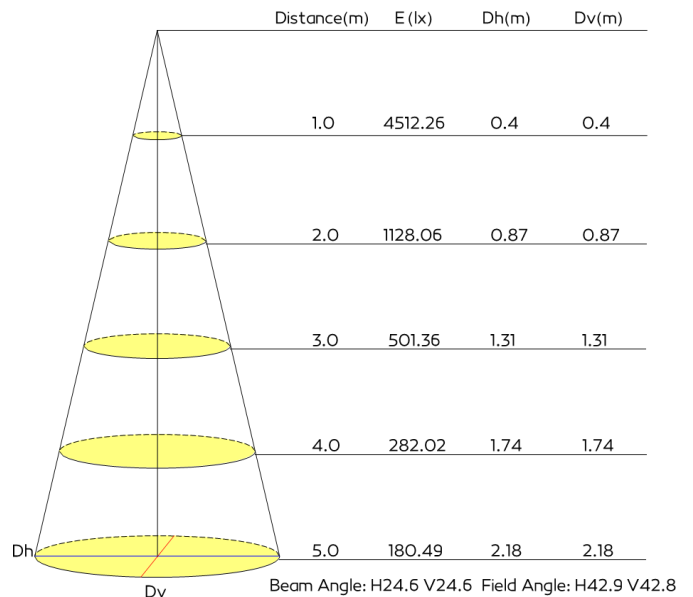


Optic Data

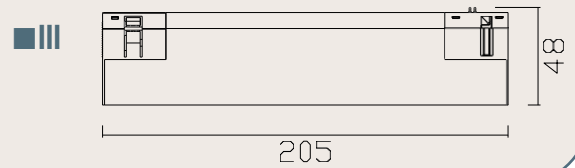
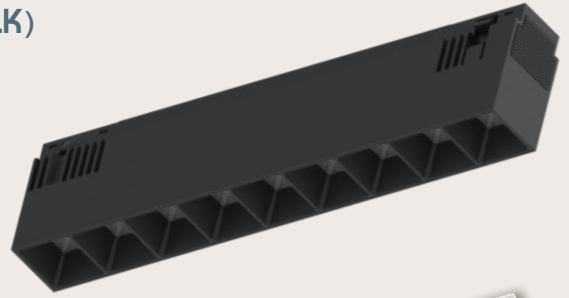
Luminous Intensity Distribution Curve



AAI Figure

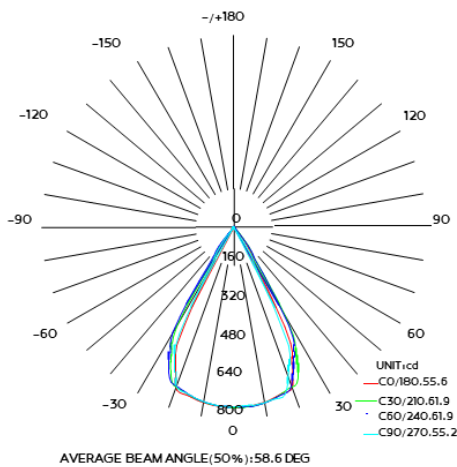


Code	T290 (WHT) / T291 (BLK)	
Input Voltage	DC48 350MA	
Power(Watts)	9x1.1W (12W)	
Lumen	966lm	
Lamp holder	Aluminum PCB	
Light Source	CREE 3030	
Beam Angle	58°	
Color Temperature	3000K	
CRI ≥	80	
IP level	IP20	
Main Material	Aluminum	
Body Color	WHT / BLK	
Wire connection way	Track Adaptor	
Class	<input type="checkbox"/> I	<input type="checkbox"/> II
Certificates	CE . ROHS	

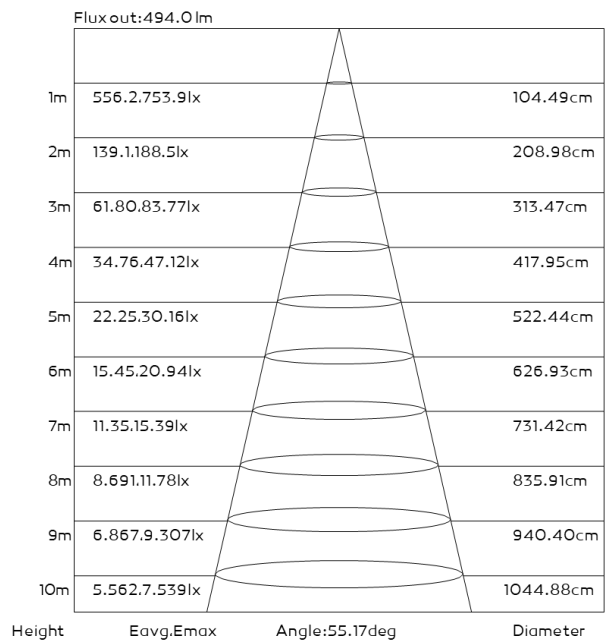


Optic Data

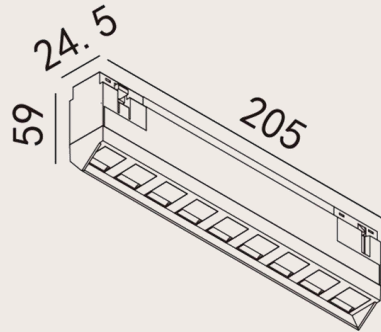
Luminous Intensity Distribution Curve



AAI Figure

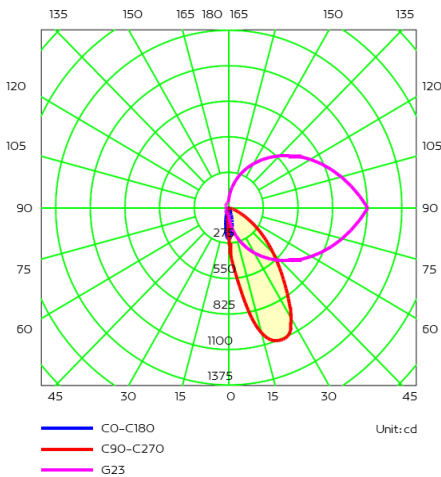


Code	T186 (BLK) / T310 (WHT)		
Input Voltage	DC48 350MA		
Power(Watts)	10W		
Lumen	526lm		
Lamp holder	Aluminum PCB		
Light Source	CREE XPE-2		
Beam Angle	23°x43° Assymmetric		
Color Temperature	3000K		
CRI ≥	80		
IP level	IP20		
Main Material	Aluminum		
Body Color	WHT / BLK		
Wire connection way	Track Adaptor		
Class	<input type="checkbox"/> I	<input type="checkbox"/> II	<input checked="" type="checkbox"/> III
Certificates	CE . ROHS		

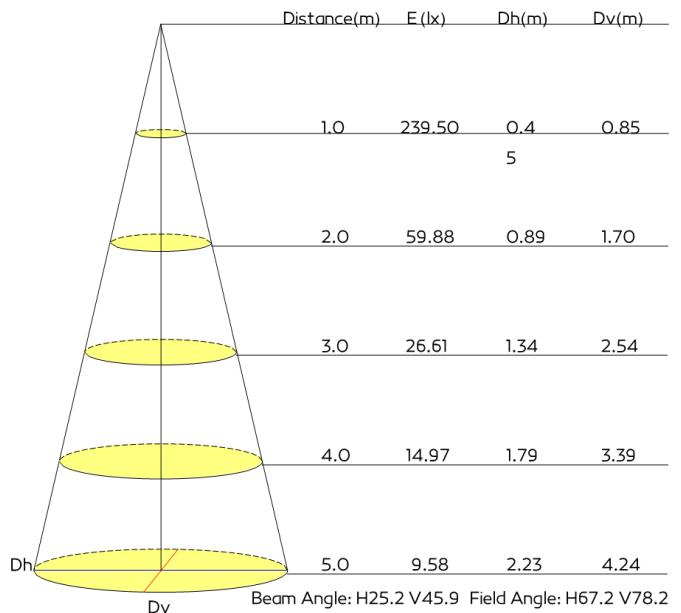


Optic Data

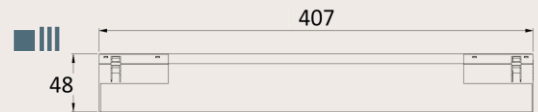
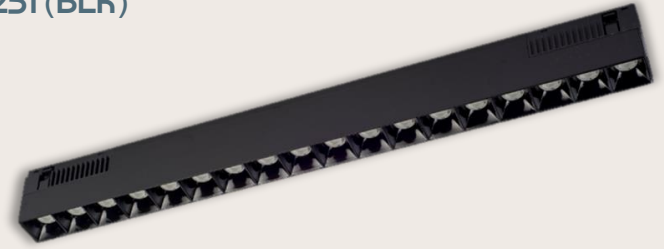
Luminous Intensity Distribution Curve



AAI Figure

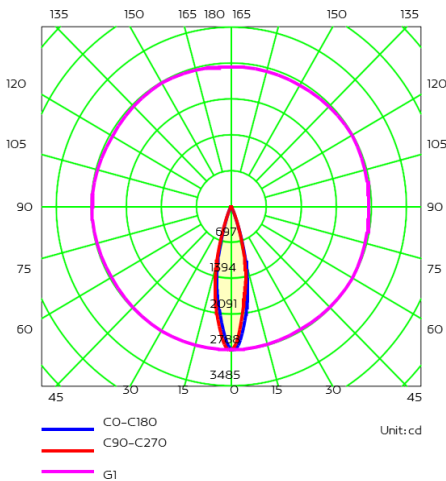


Code	T250 (WHT) / T251 (BLK)	
Input Voltage	DC48 700MA	
Power(Watts)	18x1.1W (20W)	
Lumen	1697lm	
Lamp holder	Aluminum PCB	
Light Source	CREE XPE-2	
Beam Angle	24°	
Color Temperature	3000K	
CRI ≥	80	
IP level	IP20	
Main Material	Aluminum	
Body Color	WHT / BLK	
Wire connection way	Track Adaptor	
Class	<input type="checkbox"/> I	<input type="checkbox"/> II
Certificates	CE . ROHS	

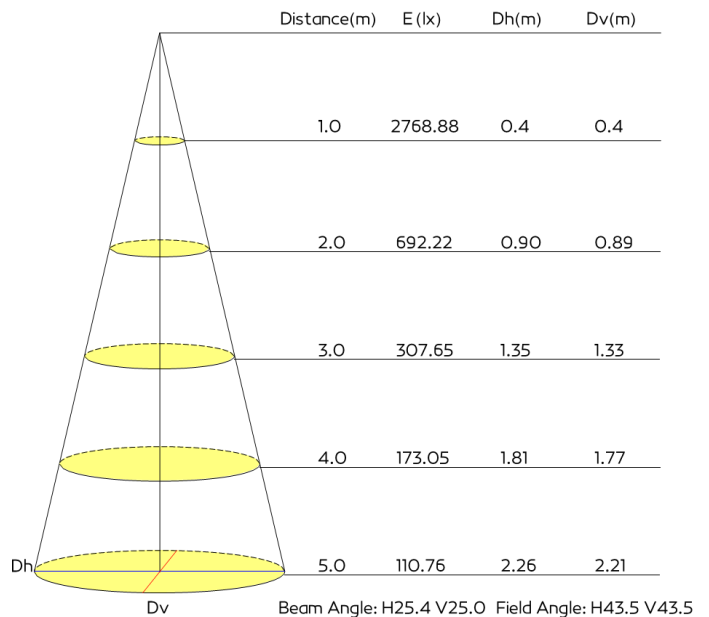


Optic Data

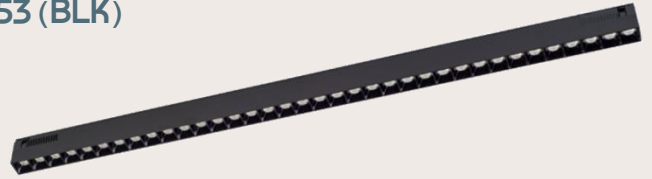
Luminous Intensity Distribution Curve



AAI Figure

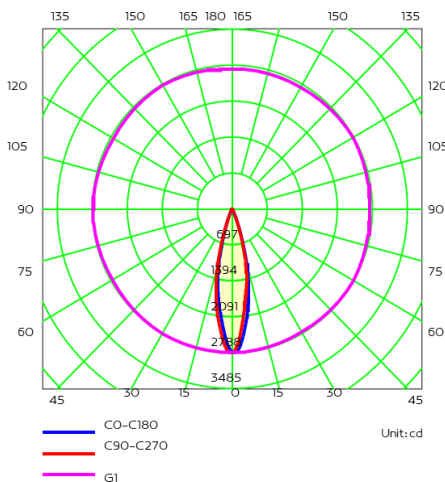


Code	T252 (WHT) / T253 (BLK)	
Input Voltage	DC48	
Power(Watts)	36x1.1W (40W)	
Lumen	3022lm	
Lamp holder	Aluminum PCB	
Light Source	CREE XPE-2	
Beam Angle	24°	
Color Temperature	3000K	
CRI ≥	80	
IP level	IP20	
Main Material	Aluminum	
Body Color	WHT / BLK	
Wire connection way	Track Adaptor	
Class	<input type="checkbox"/> I	<input type="checkbox"/> II
Certificates	CE . ROHS	

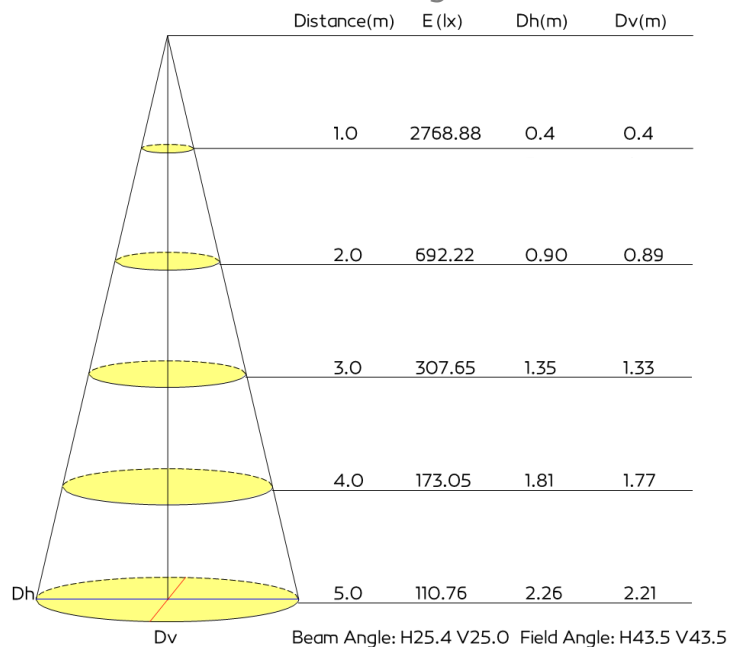


Optic Data

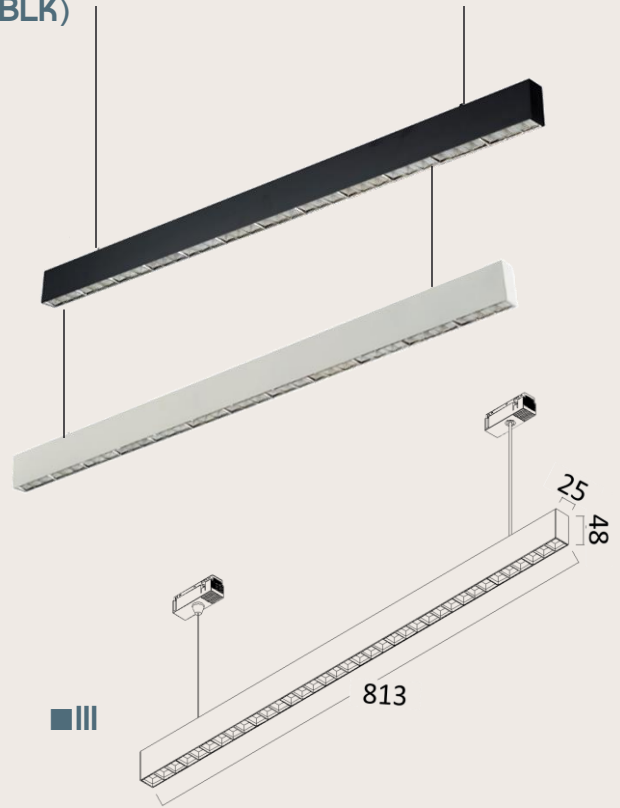
Luminous Intensity Distribution Curve



AAI Figure

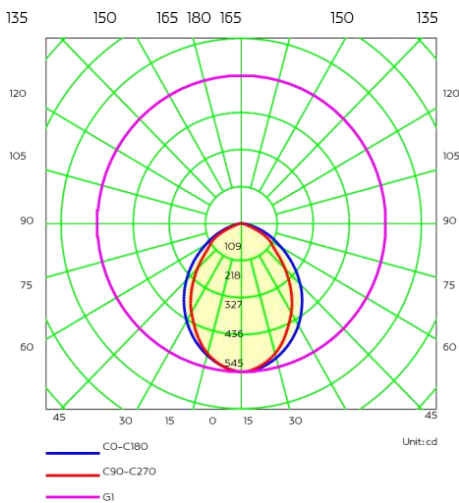


Code	T256 (WHT) / T257 (BLK)	
Input Voltage	DC48 500MA	
Power(Watts)	18W	
Lumen	898.6lm	
Lamp holder	Aluminum PCB	
Light Source	Bridgelux 2835	
Beam Angle	96°	
Color Temperature	3000K	
CRI ≥	80	
IP level	IP20	
Main Material	Aluminum	
Body Color	WHT / BLK	
Wire connection way	Track Adaptor	
Class	<input type="checkbox"/> I	<input type="checkbox"/> II
Certificates	CE . ROHS	

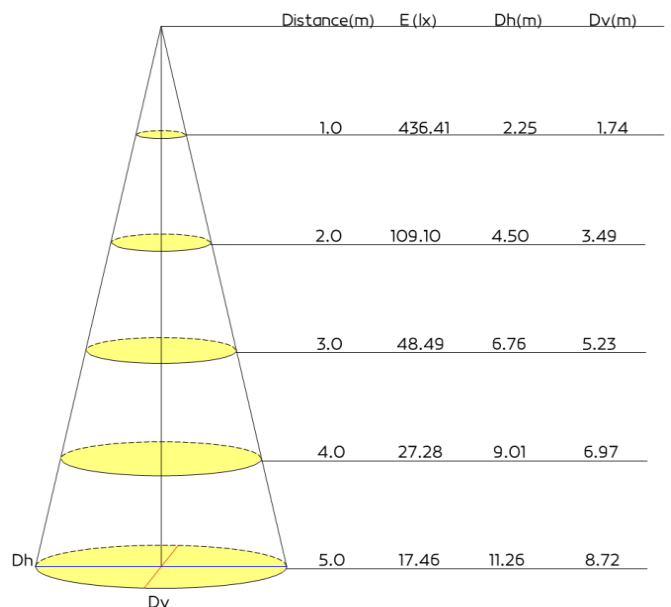


Optic Data

Luminous Intensity Distribution Curve

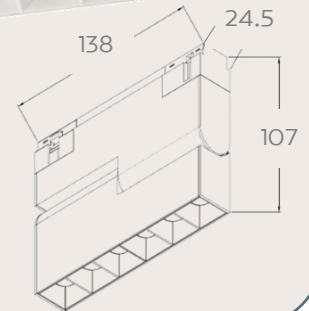


AAI Figure



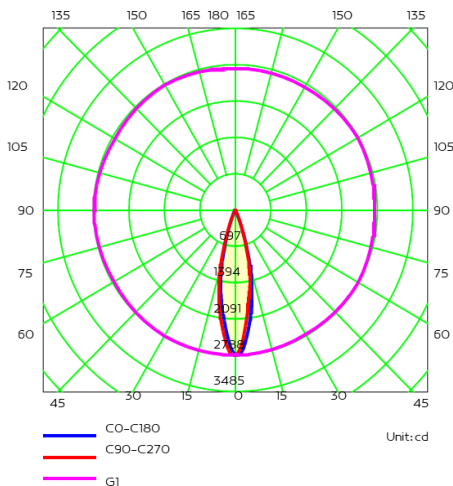
Beam Angle: H96.8 V82.1 Field Angle: H147.3 V136.8

Code	T236 (WHT) / T237 (BLK)		
Input Voltage	DC48		
Power(Watts)	6x1.1W (6.6W)		
Lumen	592lm		
Lamp holder	Aluminum PCB		
Light Source	CREE XPE-2		
Beam Angle	24°		
Color Temperature	3000K		
CRI ≥	80		
IP level	IP20		
Main Material	Aluminum		
Body Color	WHT / BLK		
Wire connection way	Track Adaptor		
Class	<input type="checkbox"/> I	<input type="checkbox"/> II	<input checked="" type="checkbox"/> III
Certificates	CE . ROHS		

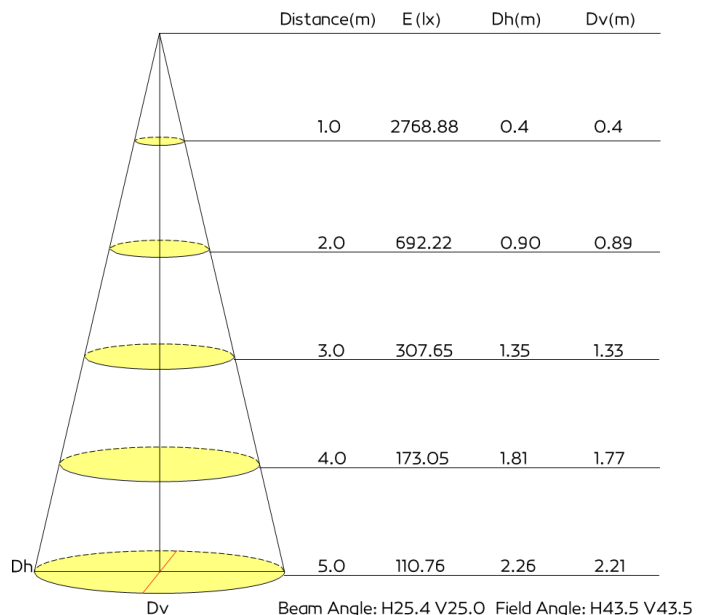


Optic Data

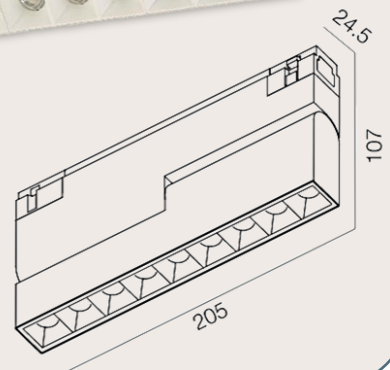
Luminous Intensity Distribution Curve



AAI Figure

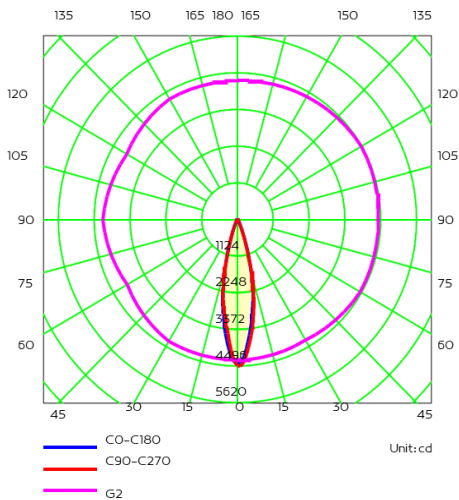


Code	T187 (BLK) / T263 (WHT)		
Input Voltage	DC48 350MA		
Power(Watts)	9x1.1W (10W)		
Lumen	916.4lm		
Lamp holder	Ceramic PCB		
Light Source	CREE XPE-2		
Beam Angle	24°		
Color Temperature	3000K		
CRI ≥	80		
IP level	IP20		
Main Material	Aluminum		
Body Color	WHT / BLK		
Wire connection way	Track Adaptor		
Class	<input type="checkbox"/> I	<input type="checkbox"/> II	<input checked="" type="checkbox"/> III
Certificates	CE . ROHS		

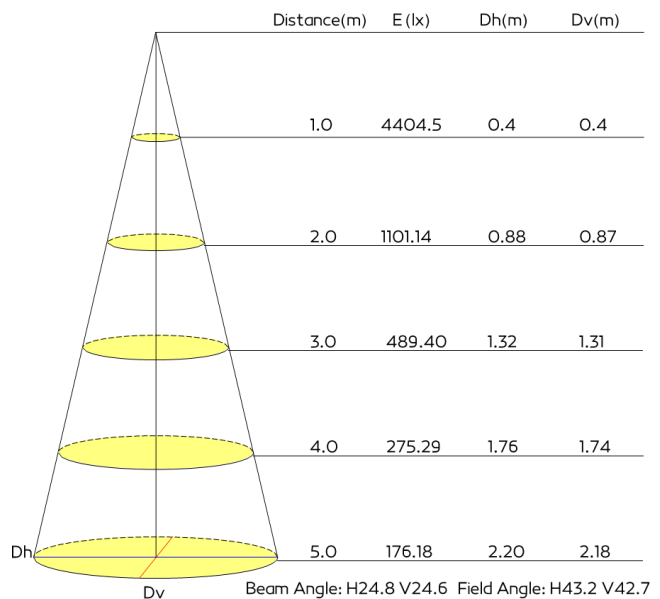


Optic Data

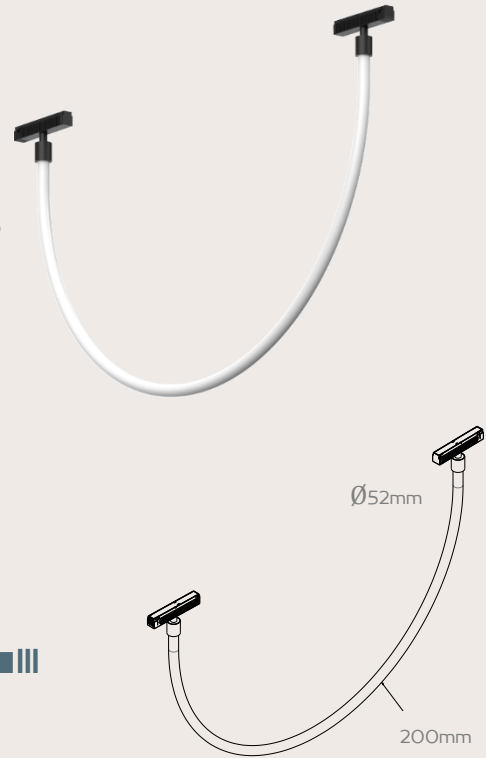
Luminous Intensity Distribution Curve



AAI Figure

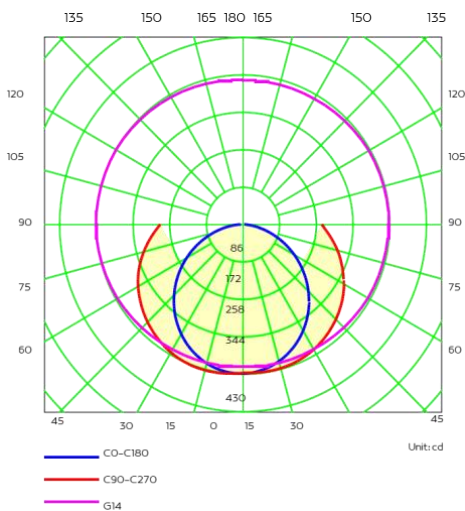


Code	T298 (WHT) / T299 (BLK)	
Input Voltage	DC48	
Power(Watts)	29W	
Lumen	1271lm	
Lamp holder	Ceramic PCB	
Light Source	Bright Lighting SMD2835	
Beam Angle	178°	
Color Temperature	3000K	
CRI ≥	90	
IP level	IP20	
Main Material	Aluminum	
Wire connection way	WHT / BLK	
Class	Track Adaptor	
Certificates	<input type="checkbox"/> I	<input type="checkbox"/> II
Dimmable	CE . ROHS	

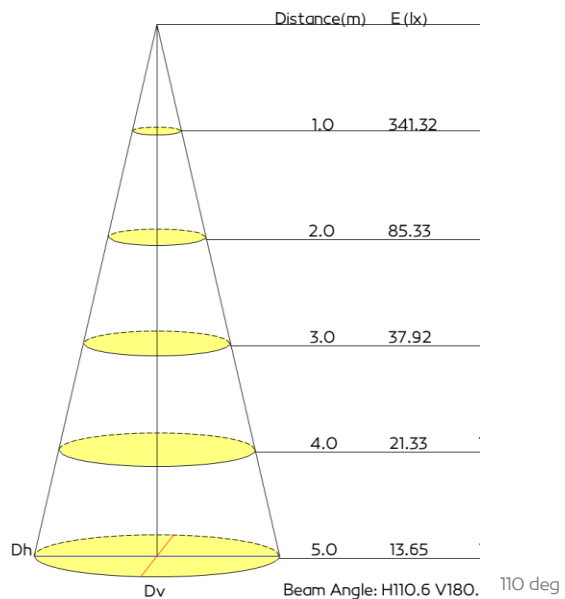


Optic Data

Luminous Intensity Distribution Curve



AAI Figure



T14

Included:

6xT130 + 3xT131 + 6x 600 mm Track + 6x 120° connector

Code: T235



Input Voltage

DC48 500MA

Power(Watts)

18.5W

Lumen

1890lm

Lamp holder

Ceramic PCB

Light Source

CREE CXB1512

Beam Angle

30°

Color Temperature

3000K

CRI ≥

90

IP Level

20

Main Material

Aluminum

Body Color

Black / White

Installation Type

Pendant
Ceiling Surface

Code: T131



Input Voltage

DC48 350MA

Power(Watts)

10.2W

Lumen

783lm

Lamp holder

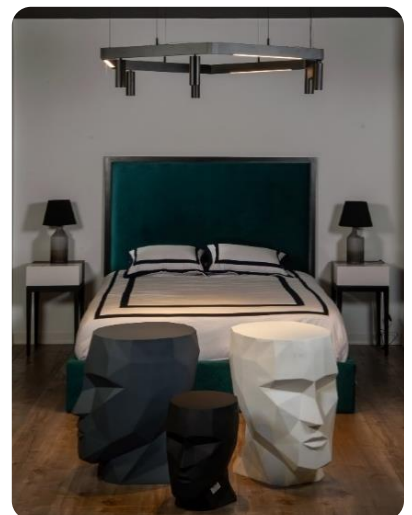
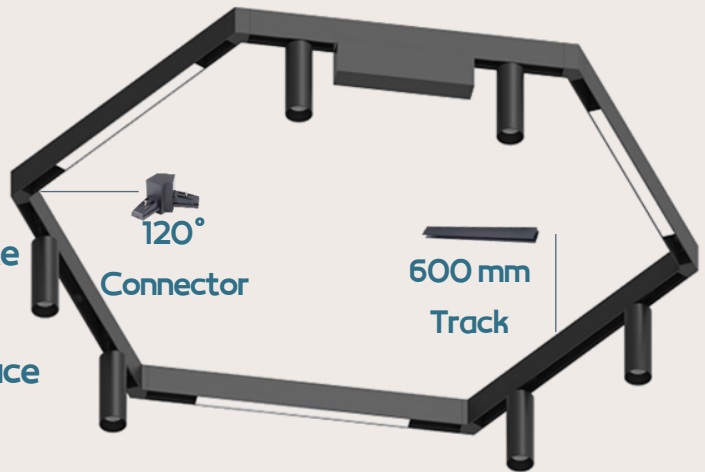
Aluminum PCB

Light Source

Bridgelux 2835

Beam Angle

110°





Multi Track Light





MAKE MORE
OF THE
MOMENT



Multi Track Light





Multi Track Light





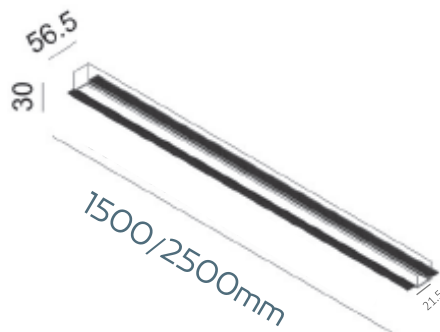
Multi Track Light



نوران
NOORAIN

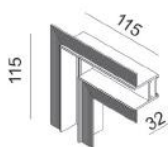
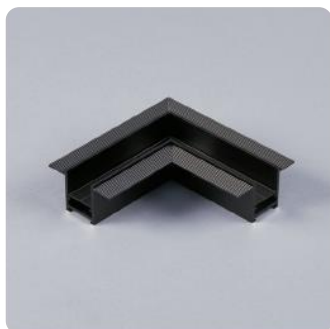
Description of accessories

Profile ▶



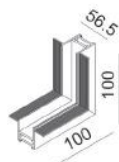
Length	Code No.
1500mm	LC1500
2500mm	LC2500

Track Installation Connectors & Accessories ▶



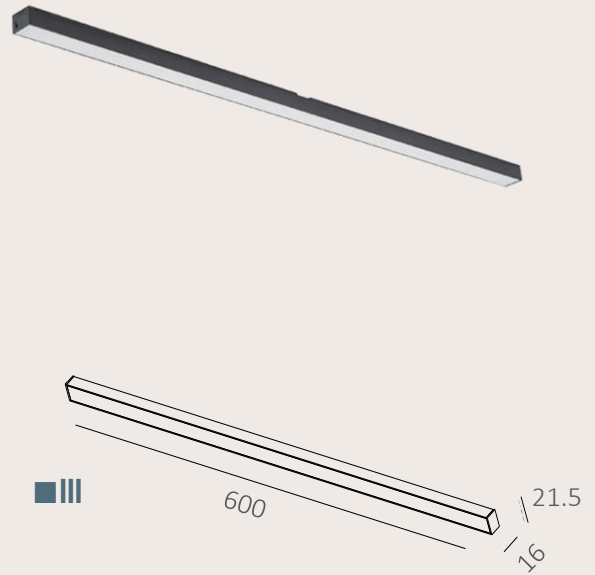
Code No.	Size(mm)	Colour
----------	----------	--------

LC1010A	115x115	Black
---------	---------	-------



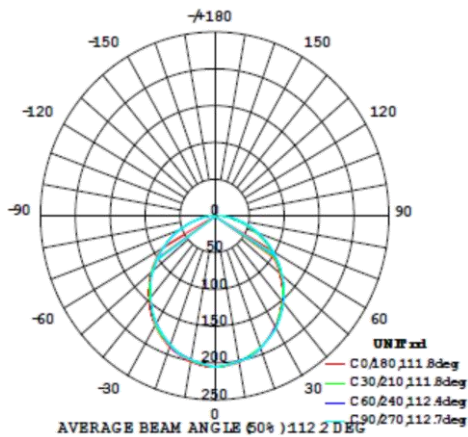
LC1010B	100x100	Black
---------	---------	-------

Code	LC152
Input Voltage	DC 24V
Power(Watts)	12W
Lumen	1440lm
Light Source	EDS LED
Color Temperature	3000K
CRI ≥	90
IP level	IP20
Main Material	Aluminum
Body Color	Black
Wire connection way	Track Adaptor
Class	<input type="checkbox"/> I <input type="checkbox"/> II

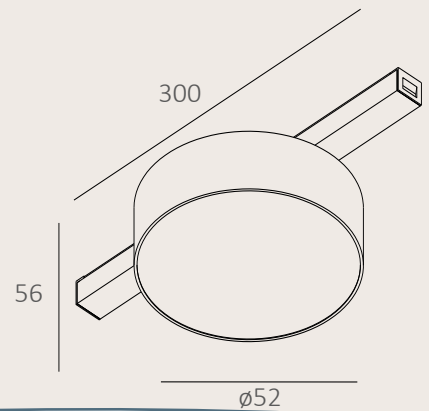


Optic Data

Luminous Intensity Distribution Curve

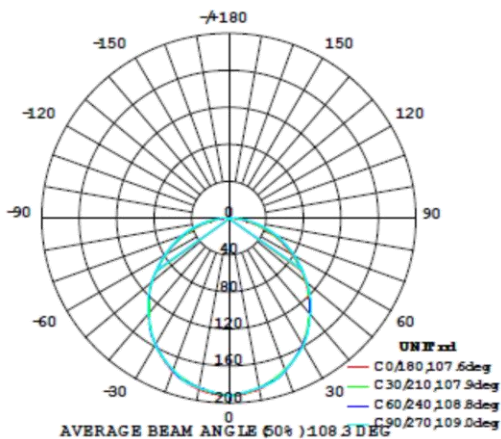


Code	LC153
Input Voltage	DC 24V
Power(Watts)	15 W
Lumen	1350lm
Light Source	EDS LED
Color Temperature	3000K
CRI ≥	90
IP level	IP20
Main Material	Aluminum
Body Color	Black
Wire connection way	Track Adaptor
Class	<input type="checkbox"/> I <input type="checkbox"/> II <input checked="" type="checkbox"/> III

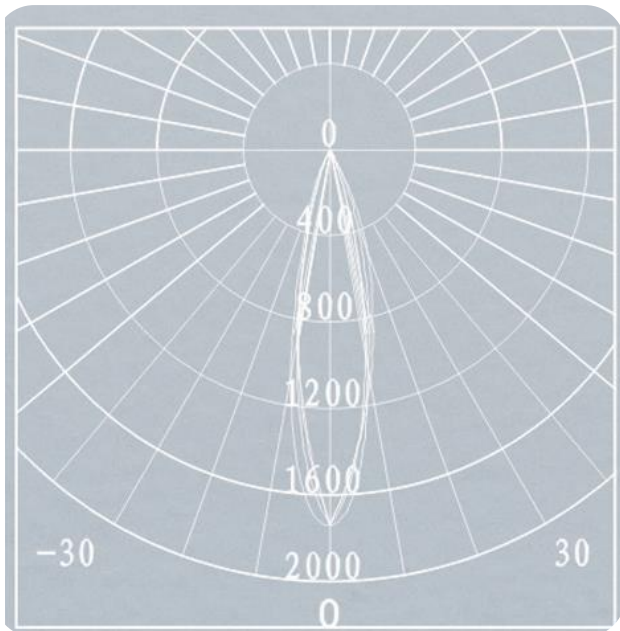
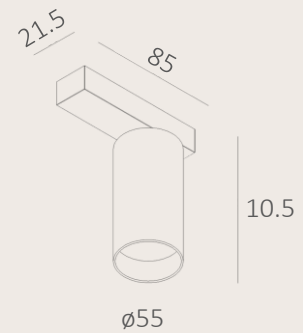


Optic Data

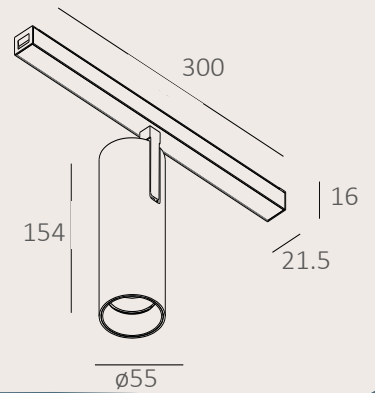
Luminous Intensity Distribution Curve



Code	LC199
Input Voltage	DC 24V
Power(Watts)	6W
Lumen	540lm
Light Source	TEEN LED
Color Temperature	3000K
CRI ≥	90
IP level	IP20
Main Material	Aluminum
Body Color	Black
Wire connection way	Track Adaptor
Class	<input type="checkbox"/> I <input type="checkbox"/> II <input checked="" type="checkbox"/> III

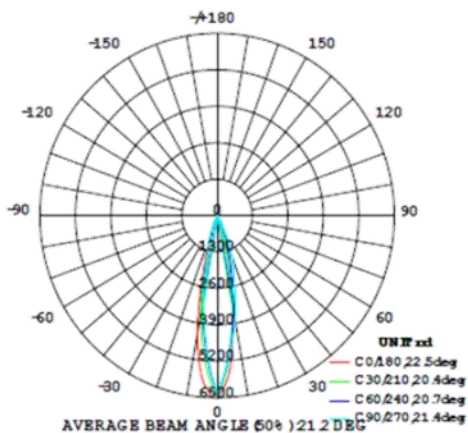


Code	LC154
Input Voltage	DC 24V
Power(Watts)	12W
Lumen	1380lm
Light Source	LUMILEDS LED
Color Temperature	3000K
CRI ≥	90
IP level	IP20
Main Material	Aluminum
Body Color	Black
Wire connection way	Track Adaptor
Class	<input type="checkbox"/> I <input type="checkbox"/> II <input checked="" type="checkbox"/> III

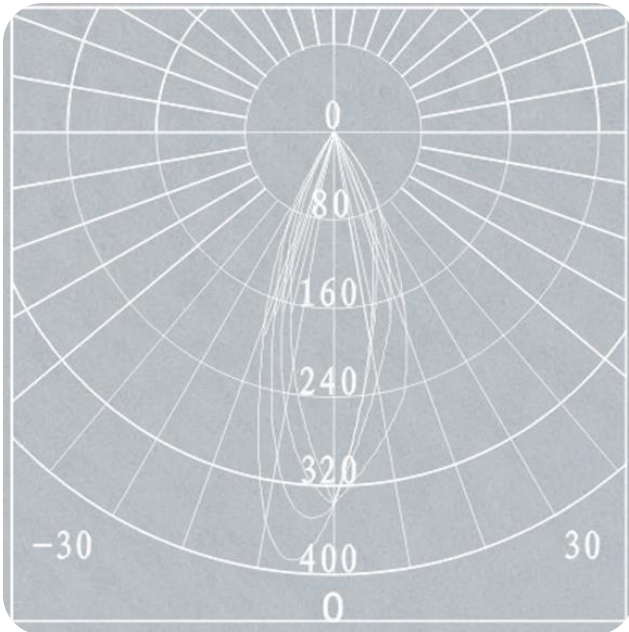
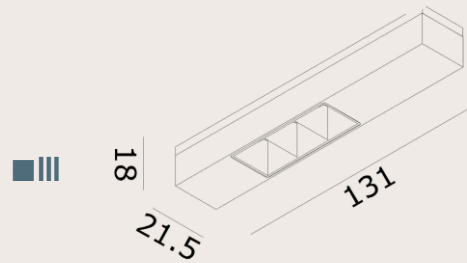


Optic Data

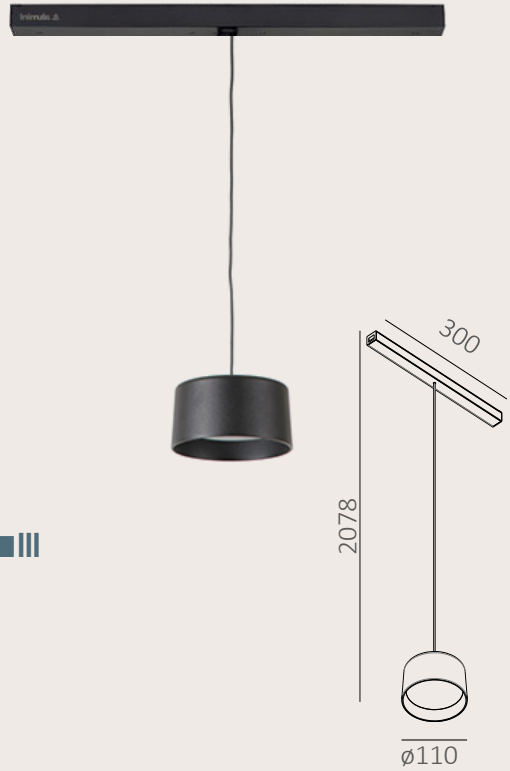
Luminous Intensity Distribution Curve



Code	LC198
Input Voltage	DC 24V
Power(Watts)	3W (3*1W)
Lumen	270lm
Light Source	Osram LED
Color Temperature	3000K
CRI ≥	90
IP level	IP20
Main Material	Aluminum
Body Color	Black
Wire connection way	Track Adaptor
Class	□I □II

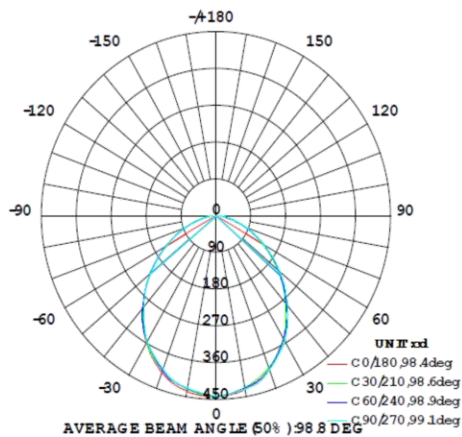


Code	LC155
Input Voltage	DC 24V
Power(Watts)	12W
Lumen	1380lm
Light Source	LUMILEDS LED
Color Temperature	3000K
CRI ≥	90
IP level	IP20
Main Material	Aluminum
Body Color	Black
Wire connection way	Track Adaptor
Class	<input type="checkbox"/> I <input type="checkbox"/> II <input checked="" type="checkbox"/> III

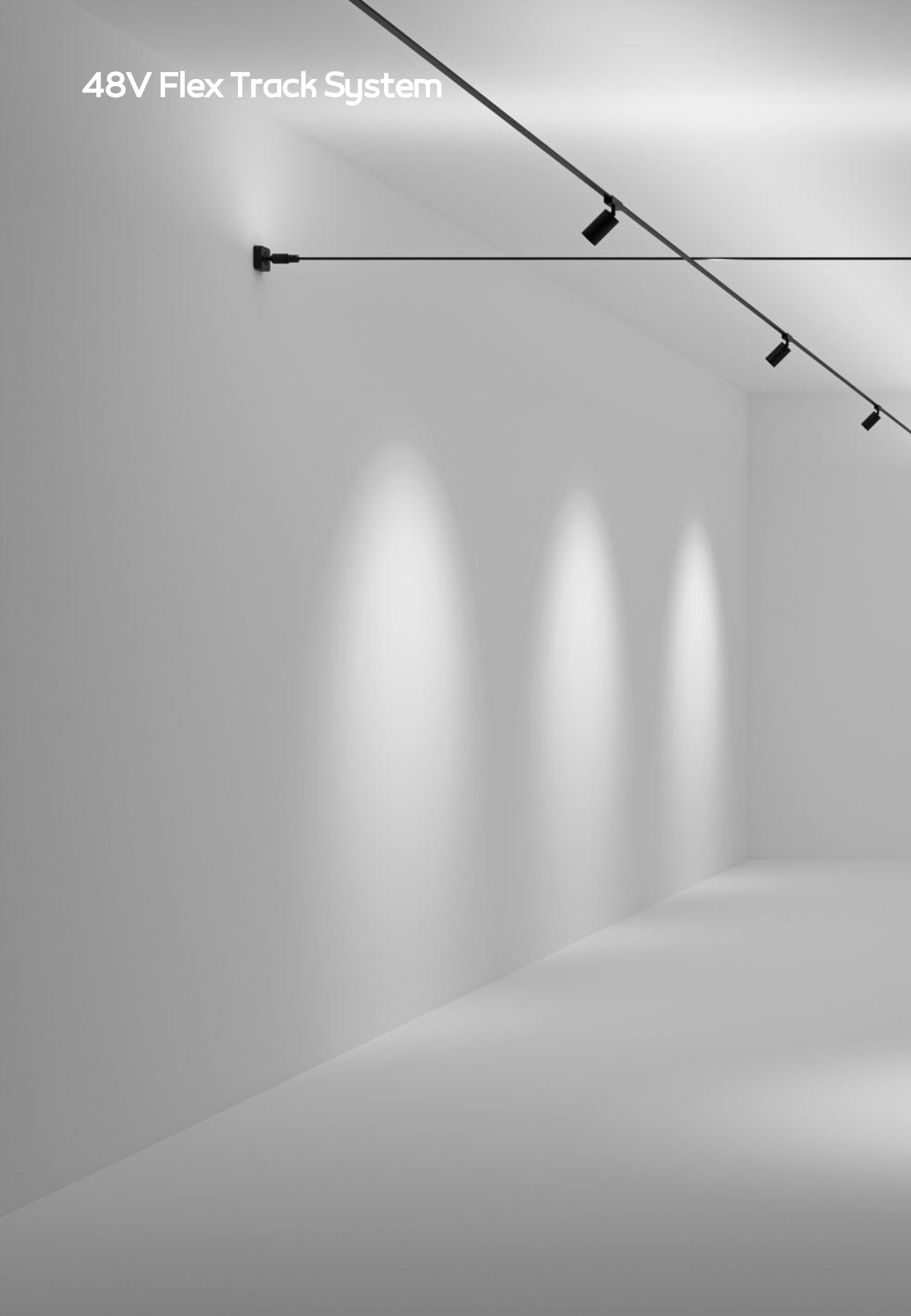


Optic Data

Luminous Intensity Distribution Curve



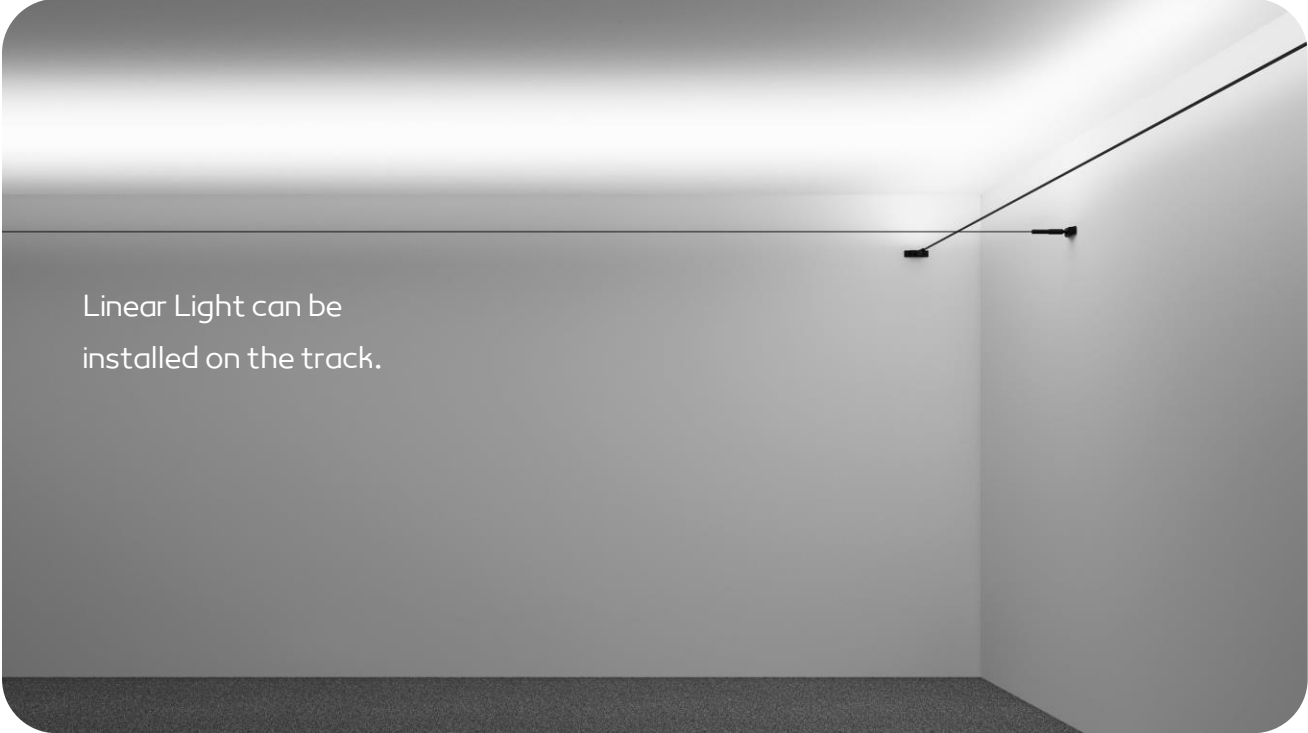
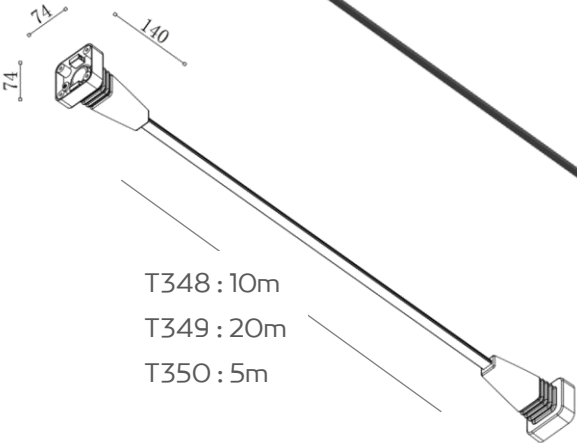
48V Flex Track System



Flex Tracks:

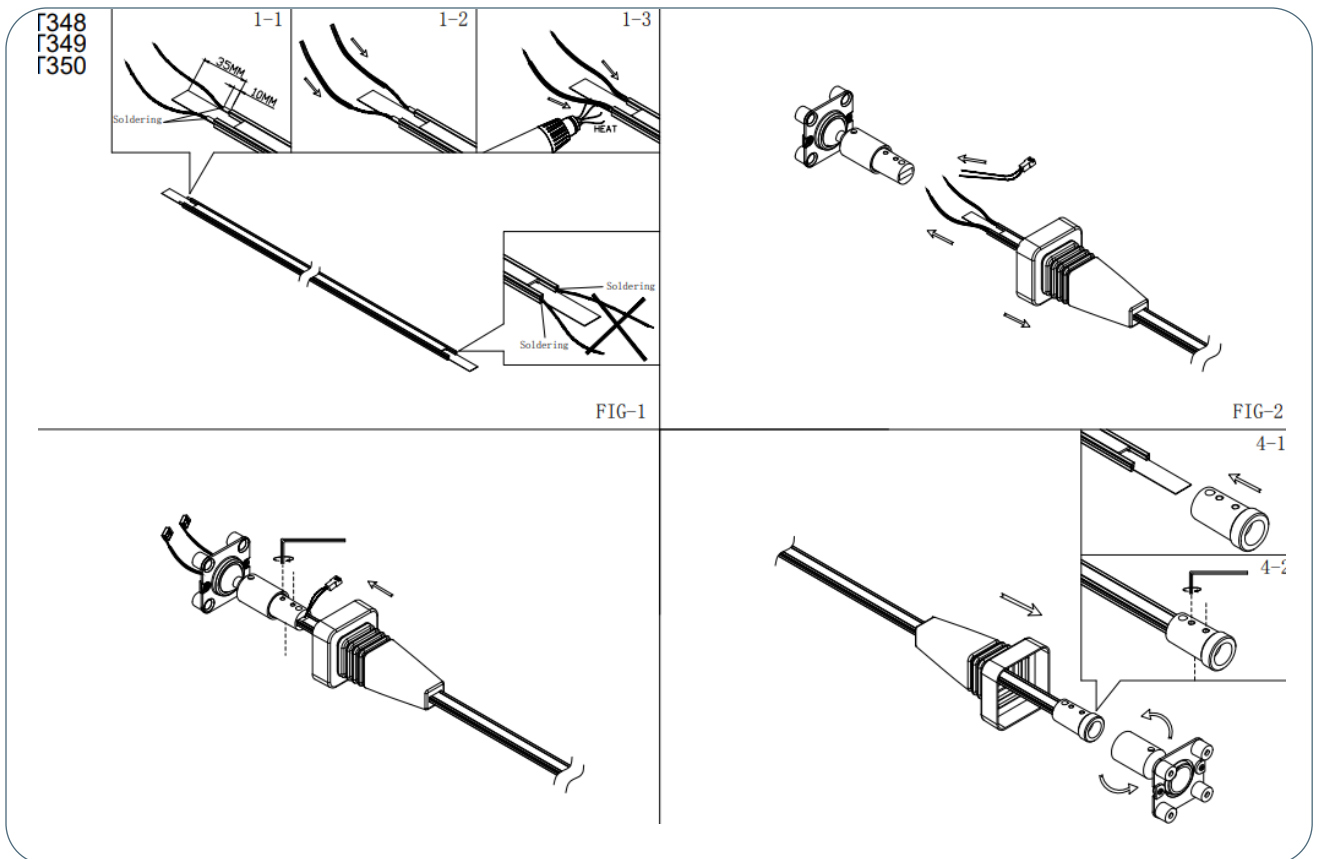


T351 (2pcs Hook)





Flex Track Installation Guide:



Flex Track Light

Flex Track Installation Guide:

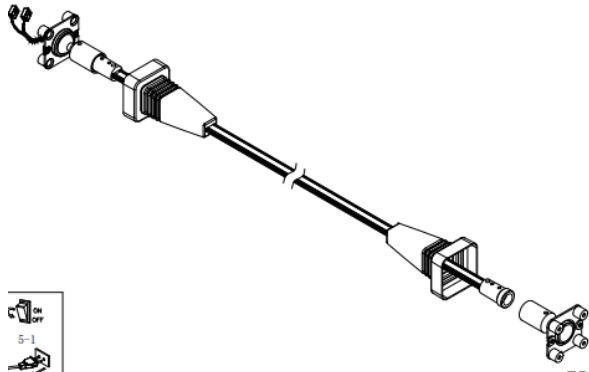


FIG-5

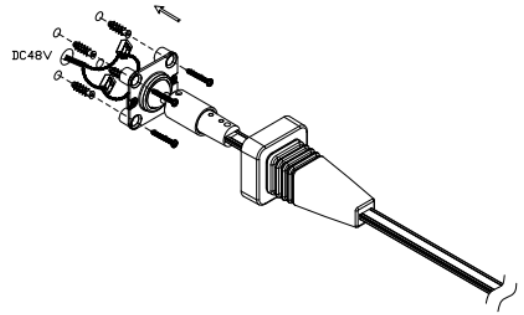


FIG-6

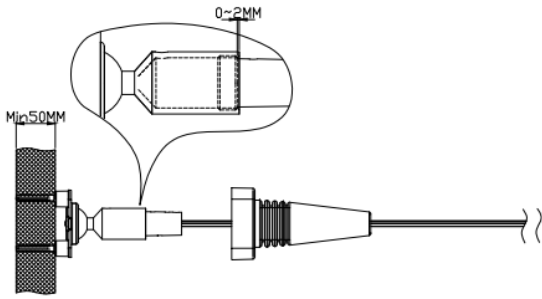


FIG-7

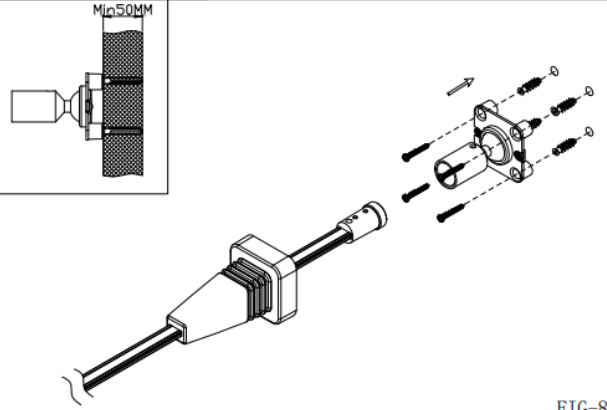


FIG-8

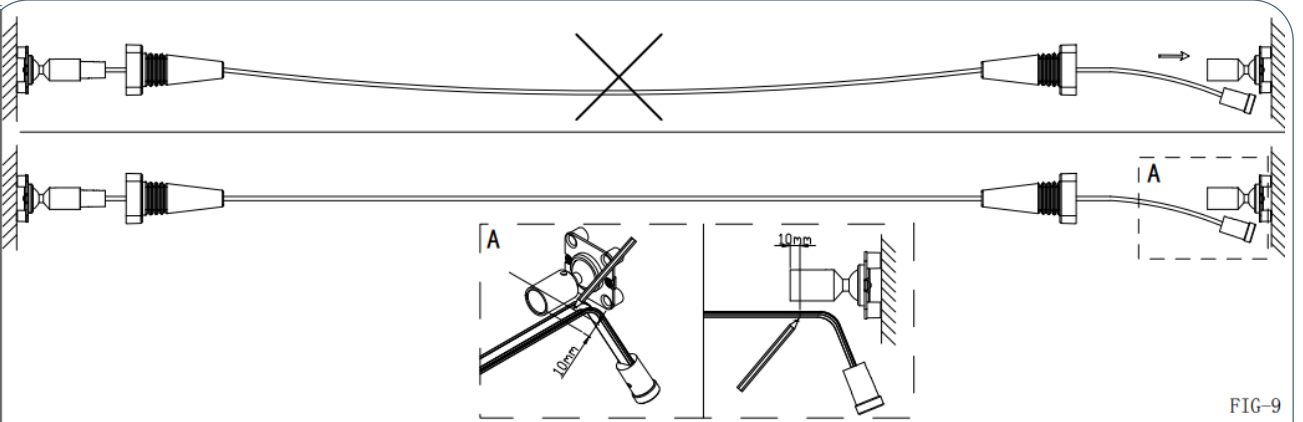


FIG-9

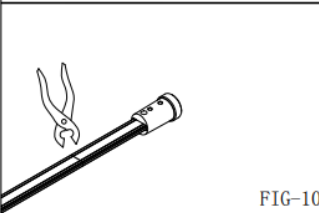


FIG-10

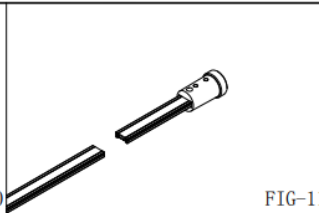


FIG-11

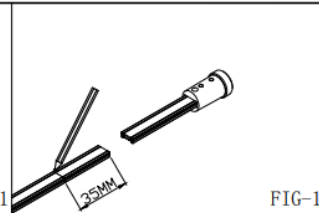


FIG-12

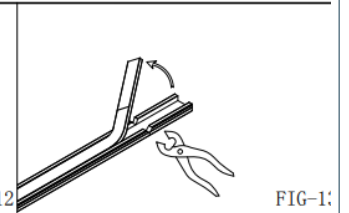


FIG-13

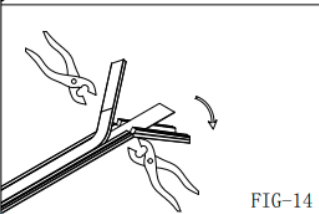


FIG-14

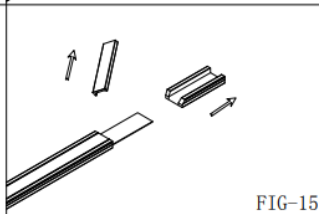


FIG-15

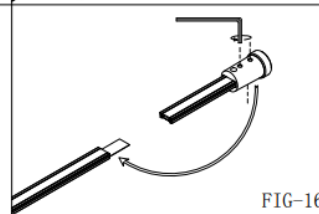


FIG-16

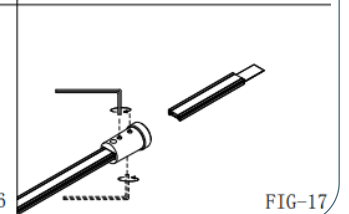
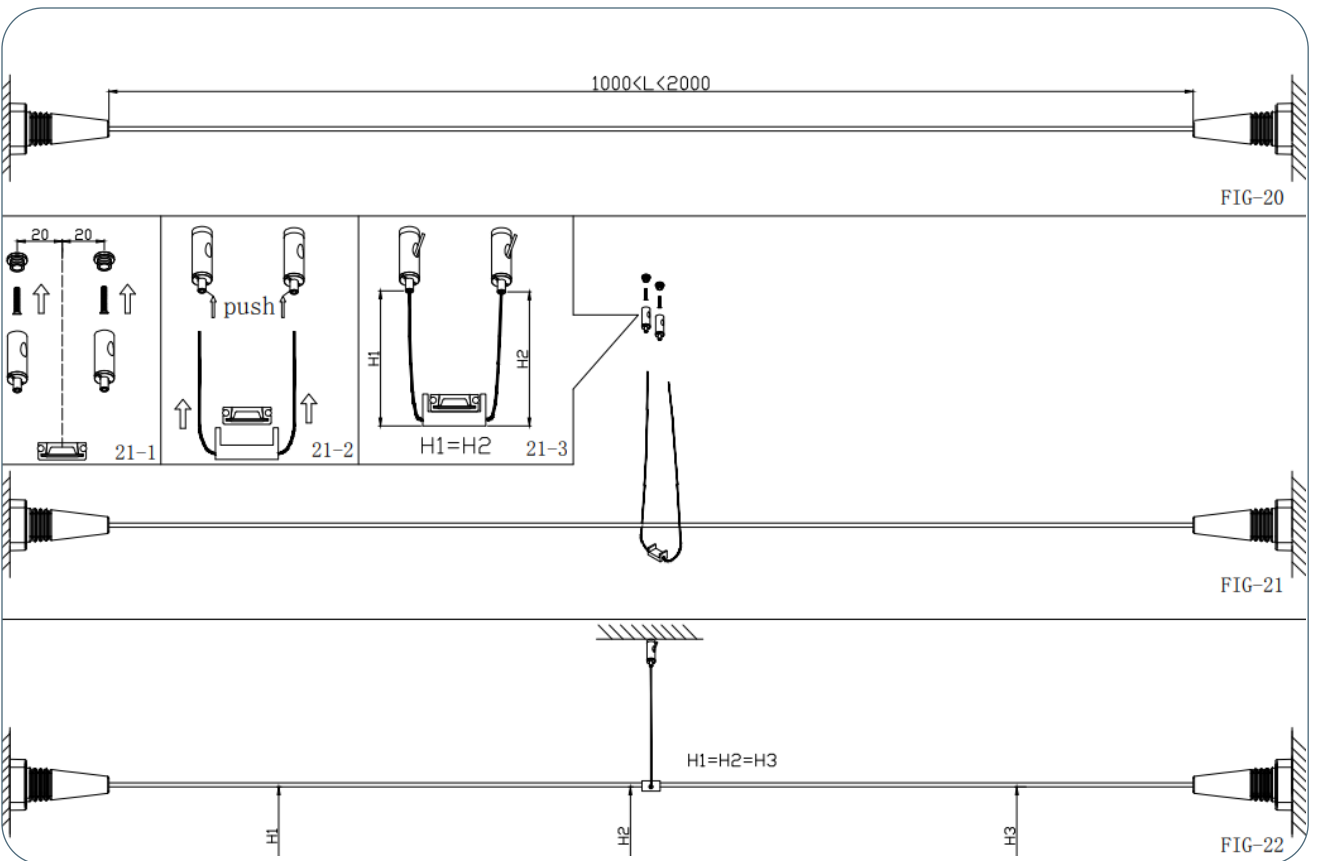
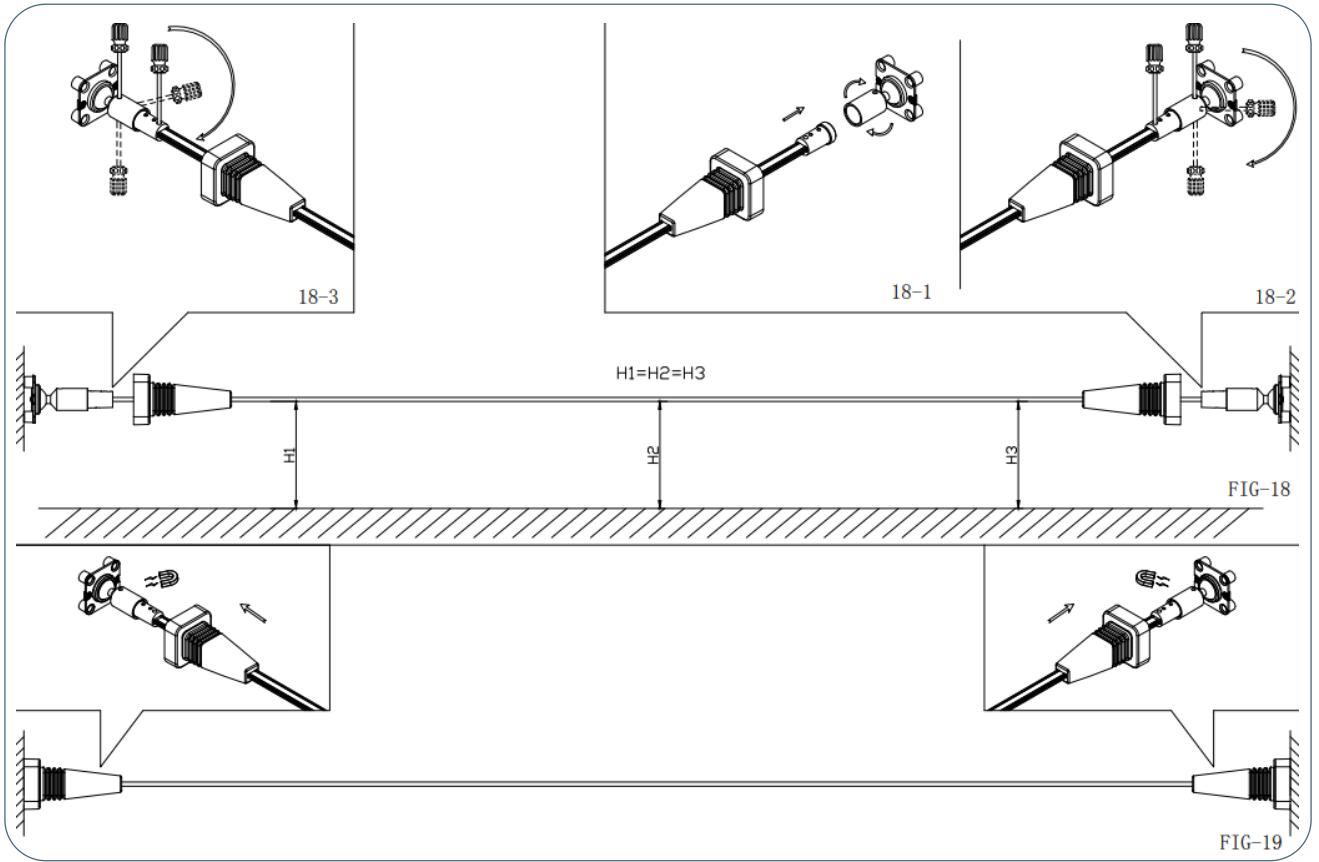
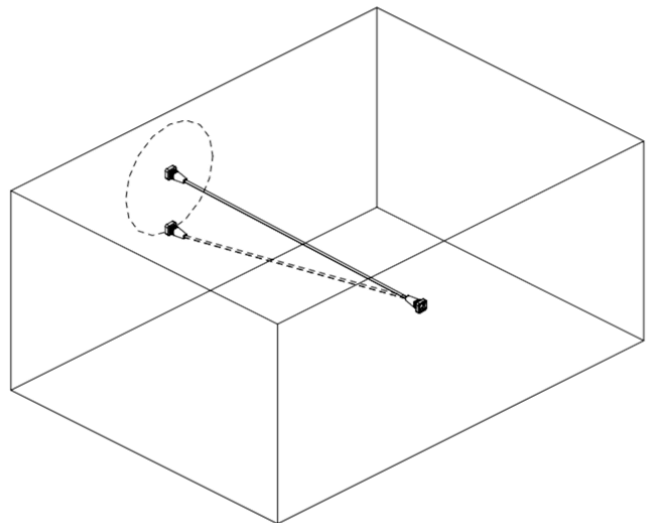
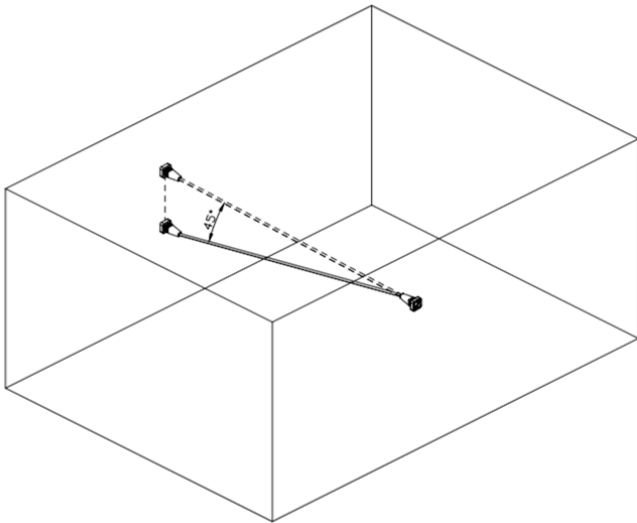
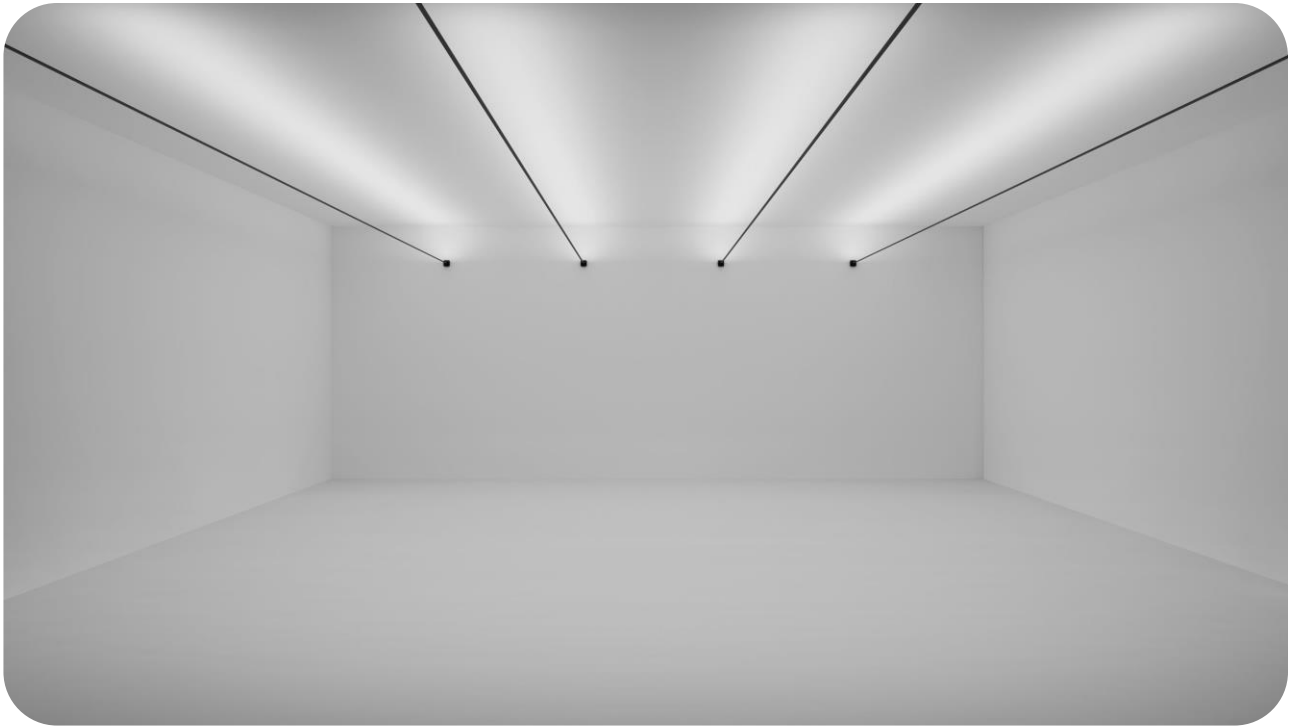


FIG-17

Flex Track Installation Guide:

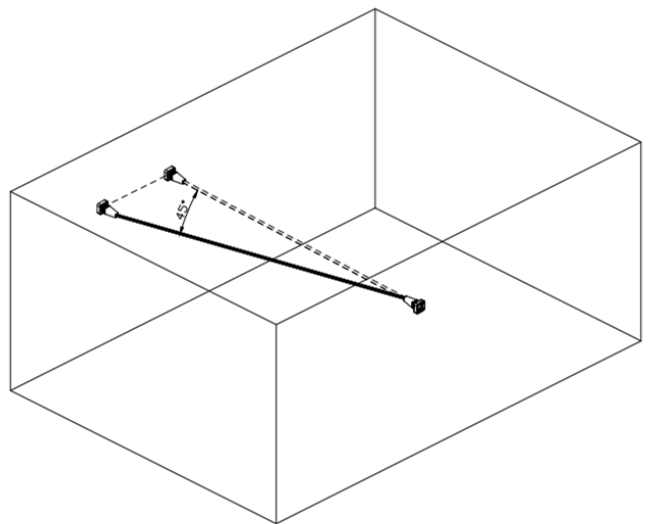
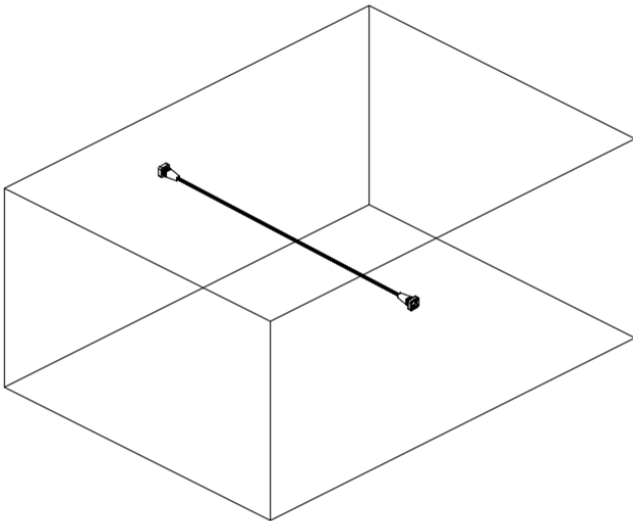
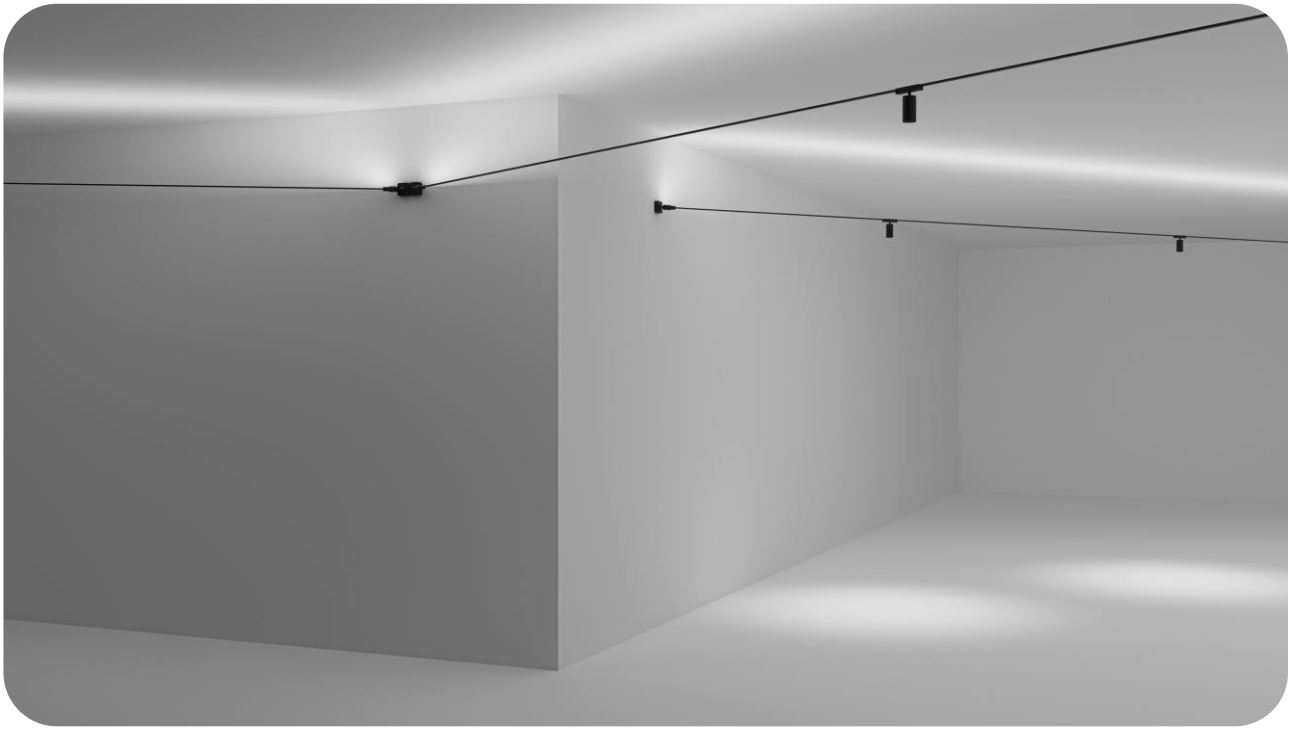


Wall to Wall Installation:

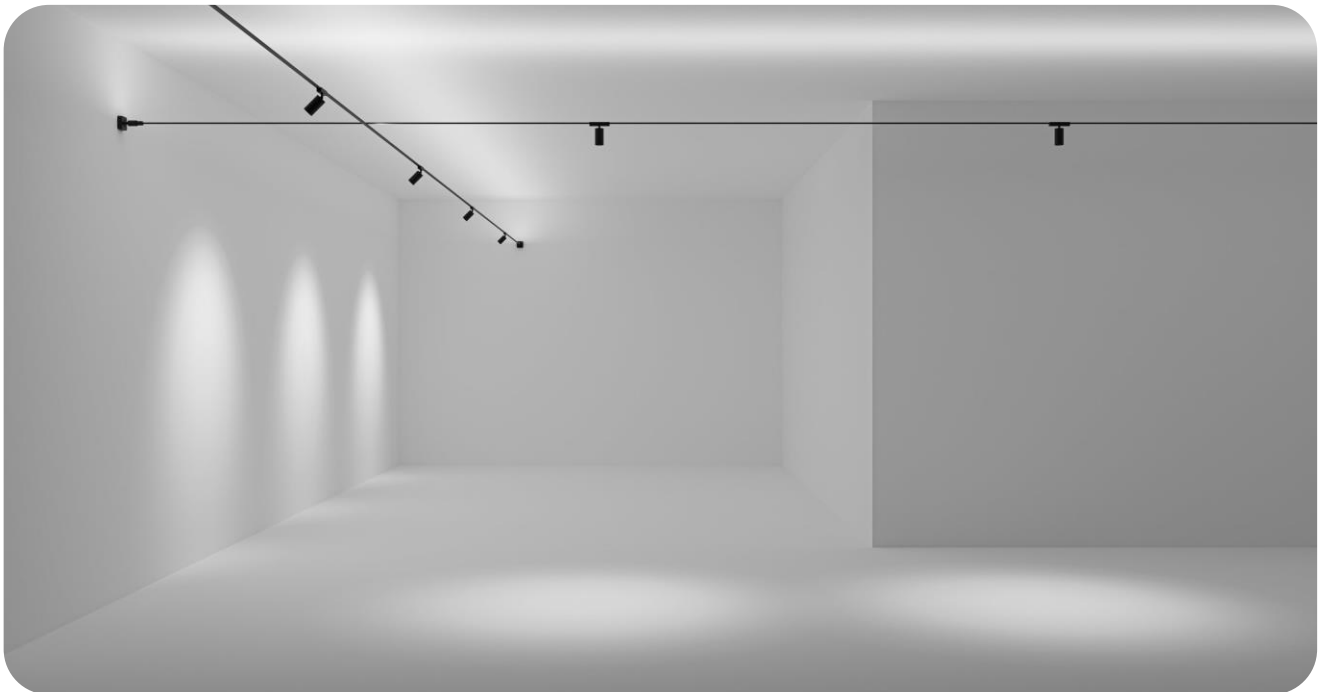
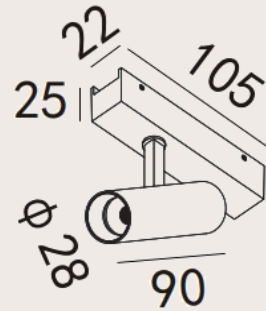


Flex Track Light

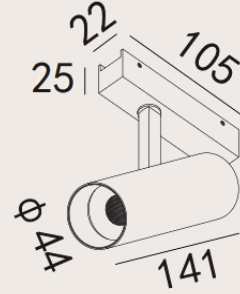
Wall to Wall Installation:



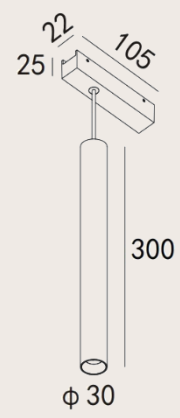
Code	T354
Input Voltage	DC 48V
Power(Watts)	7W
Lumen	452.4lm
Beam Angle	Bridgelux BXKC
Light Source	36°
Color Temperature	3000K
CRI ≥	90
IP level	IP20
Main Material	Aluminum
Body Color	Black
Class	<input type="checkbox"/> I <input type="checkbox"/> II <input checked="" type="checkbox"/> III



Code	T355
Input Voltage	DC 48V
Power(Watts)	13W
Lumen	1035lm
Beam Angle	Bridgelux BXKC
Light Source	30°
Color Temperature	3000K
CRI ≥	90
IP level	IP20
Main Material	Aluminum
Body Color	Black
Class	<input type="checkbox"/> I <input type="checkbox"/> II <input checked="" type="checkbox"/> III

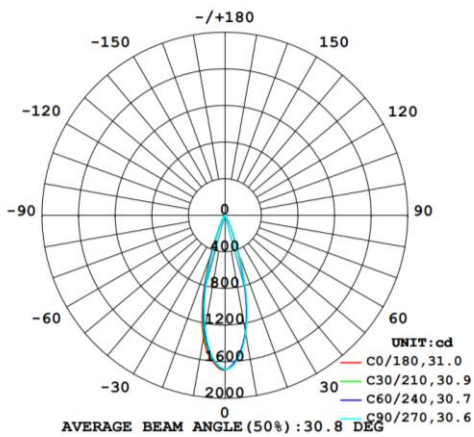


Code	T352
Input Voltage	DC 48V
Power(Watts)	7W
Lumen	452lm
Beam Angle	Bridgelux BXKC
Light Source	36°
Color Temperature	3000K
CRI ≥	90
IP level	IP20
Main Material	Aluminum
Body Color	Black
Class	<input type="checkbox"/> I <input type="checkbox"/> II <input checked="" type="checkbox"/> III



Optic Data

Luminous Intensity Distribution Curve

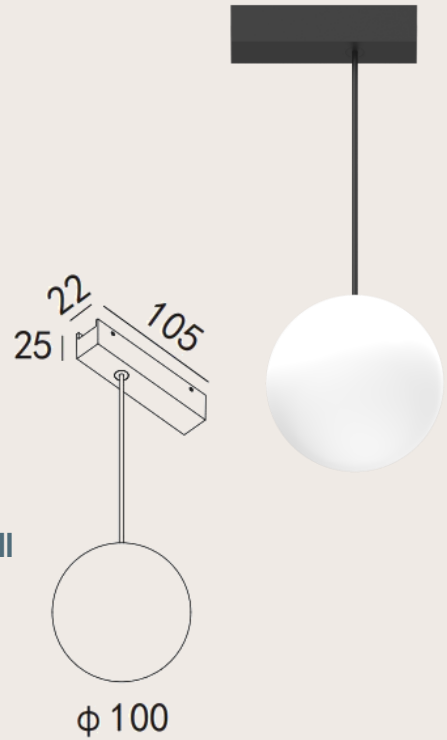


Flux out: 295.0 lm

Height	Eavg, Emax	Angle: 30.45deg	Diameter
1m	1142, 1689lx		54.44cm
2m	285.5, 422.4lx		108.88cm
3m	126.9, 187.7lx		163.32cm
4m	71.39, 105.6lx		217.77cm
5m	45.69, 67.58lx		272.21cm
6m	31.73, 46.93lx		326.65cm
7m	23.31, 34.48lx		381.09cm
8m	17.85, 26.40lx		435.53cm
9m	14.10, 20.86lx		489.97cm
10m	11.42, 16.89lx		544.42cm

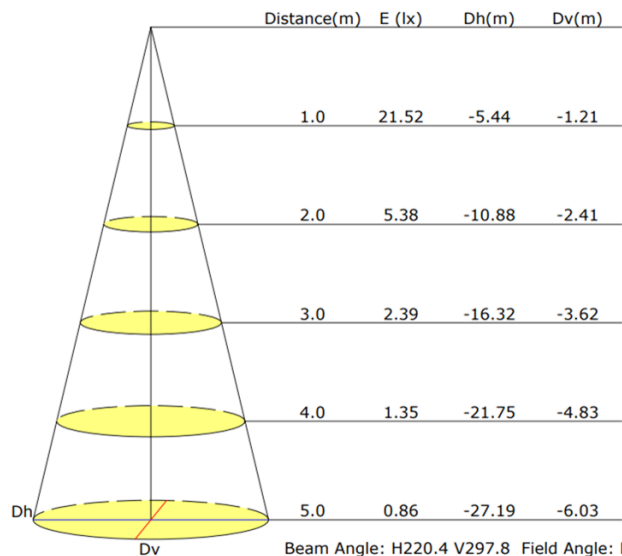
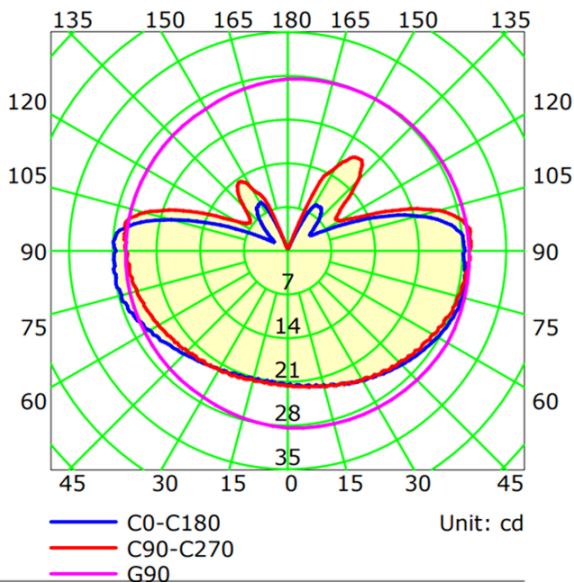
Note: The Curves indicate the illuminated area and the average illumination when the luminaire is at different distance.

Code	T353
Input Voltage	DC 48V
Power(Watts)	4.5W
Lumen	247lm
Light Source	Bridgelux 2835
Beam Angle	298°
Color Temperature	3000K
CRI ≥	90
IP level	IP20
Main Material	Aluminum
Body Color	Black
Class	<input type="checkbox"/> I <input type="checkbox"/> II <input checked="" type="checkbox"/> III

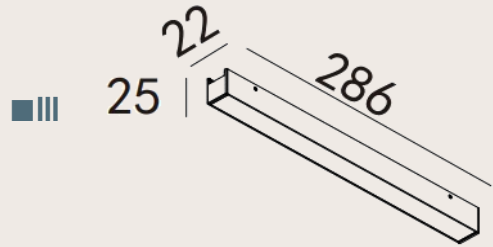
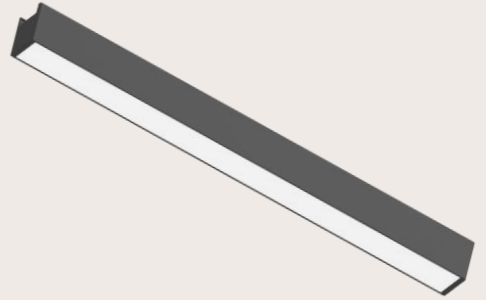


Optic Data

Luminous Intensity Distribution Curve

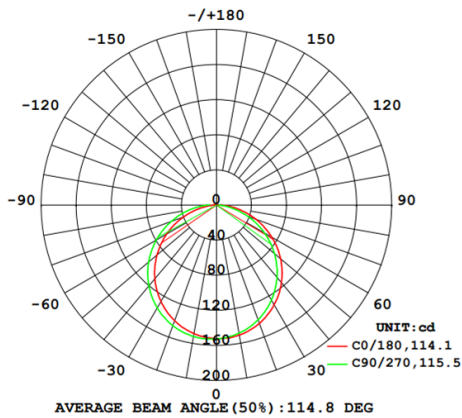


Code	T356
Input Voltage	DC 48V
Power(Watts)	8W
Lumen	453lm
Beam Angle	Bridgelux 2835
Light Source	115°
Color Temperature	3000K
CRI ≥	90
IP level	IP20
Main Material	Aluminum
Body Color	Black
Class	□ I □ II ■ III



Optic Data

Luminous Intensity Distribution Curve

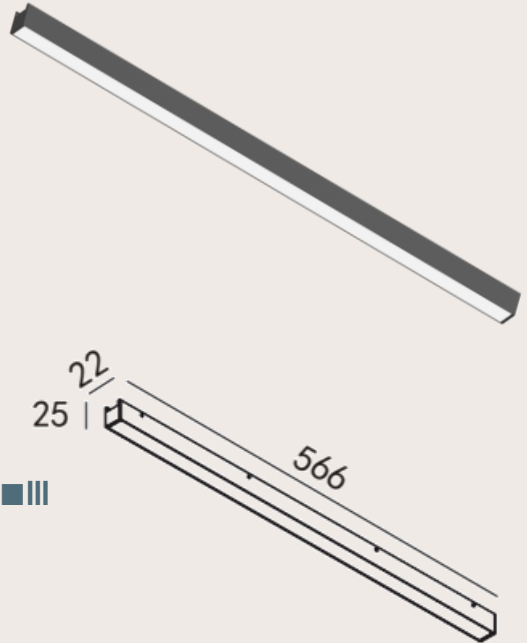


Flux out: 334.4 lm

Height	Eavg, Emax	Angle: 114.14deg	Diameter
1m	41.56, 152.61x		308.79cm
2m	10.39, 38.161x		617.59cm
3m	4.618, 16.961x		926.38cm
4m	2.598, 9.5391x		1235.17cm
5m	1.662, 6.1051x		1543.97cm
6m	1.154, 4.2401x		1852.76cm
7m	0.8482, 3.1151x		2161.55cm
8m	0.6494, 2.3851x		2470.35cm
9m	0.5131, 1.8841x		2779.14cm
10m	0.4156, 1.5261x		3087.93cm

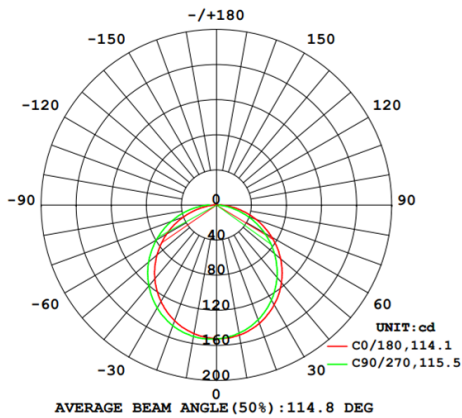
Note: The Curves indicate the illuminated area and the average illumination when the luminaire is at different distance.

Code	T357
Input Voltage	DC 48V
Power(Watts)	16W
Lumen	897lm
Beam Angle	Bridgelux 2835
Light Source	110°
Color Temperature	3000K
CRI ≥	90
IP level	IP20
Main Material	Aluminum
Body Color	Black
Class	<input type="checkbox"/> I <input type="checkbox"/> II <input checked="" type="checkbox"/> III



Optic Data

Luminous Intensity Distribution Curve

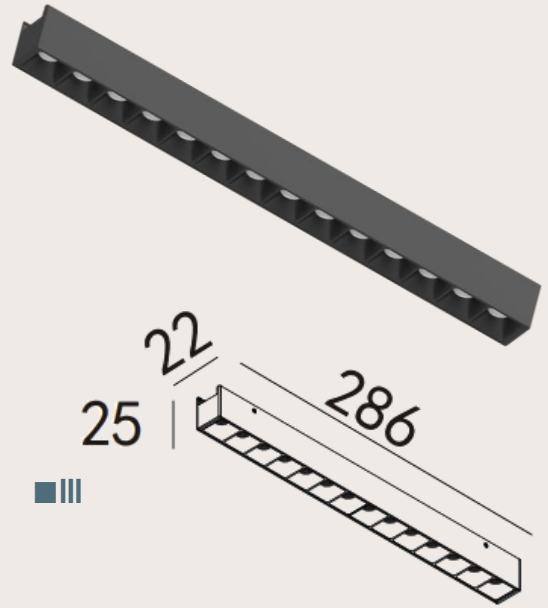


Flux out: 334.4 lm

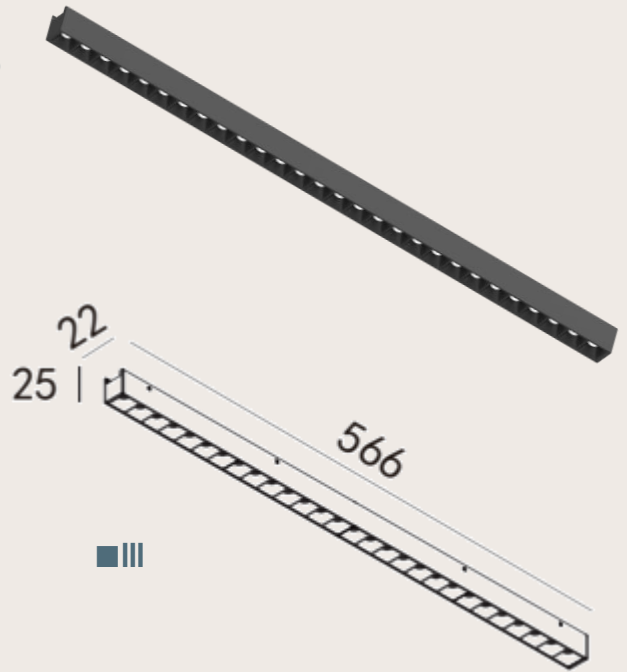
Height	Eavg, Emax	Angle: 114.14deg	Diameter
1m	41.56, 152.61x		308.79cm
2m	10.39, 38.161x		617.59cm
3m	4.618, 16.961x		926.38cm
4m	2.598, 9.5391x		1235.17cm
5m	1.662, 6.1051x		1543.97cm
6m	1.154, 4.2401x		1852.76cm
7m	0.8482, 3.1151x		2161.55cm
8m	0.6494, 2.3851x		2470.35cm
9m	0.5131, 1.8841x		2779.14cm
10m	0.4156, 1.5261x		3087.93cm

Note: The Curves indicate the illuminated area and the average illumination when the luminaire is at different distance.

Code	T358
Input Voltage	DC 48V
Power(Watts)	14x0.57W (8W)
Lumen	595lm
Beam Angle	CREE 3030
Light Source	30°
Color Temperature	3000K
CRI ≥	90
IP level	IP20
Main Material	Aluminum
Body Color	Black
Class	<input type="checkbox"/> I <input type="checkbox"/> II <input checked="" type="checkbox"/> III



Code	T359
Input Voltage	DC 48V
Power(Watts)	28x0.57W (16W)
Lumen	1472lm
Beam Angle	CREE 3030
Light Source	30°
Color Temperature	3000K
CRI ≥	90
IP level	IP20
Main Material	Aluminum
Body Color	Black
Class	<input type="checkbox"/> I <input type="checkbox"/> II <input checked="" type="checkbox"/> III

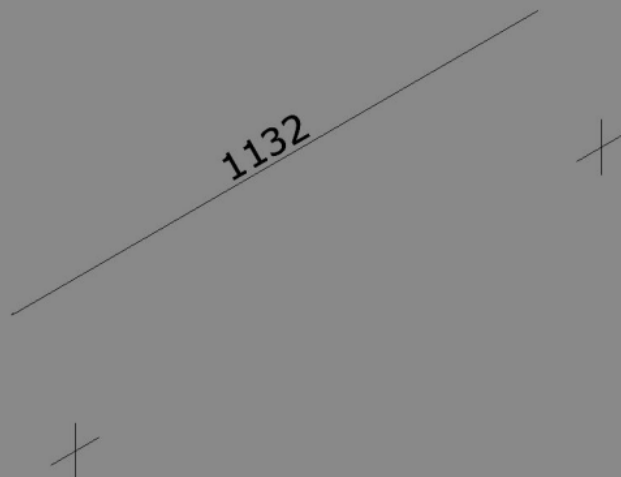


48V Linear System



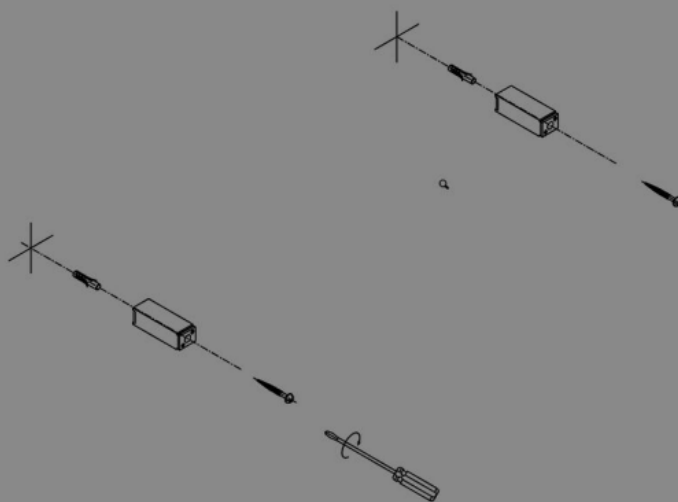
Linear Profile Track Installation Guide:

Step 1



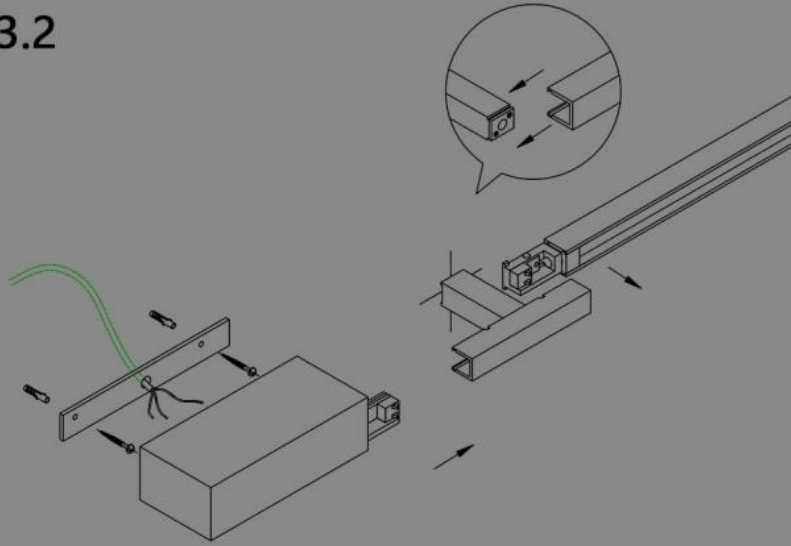
Positioning

Step 2



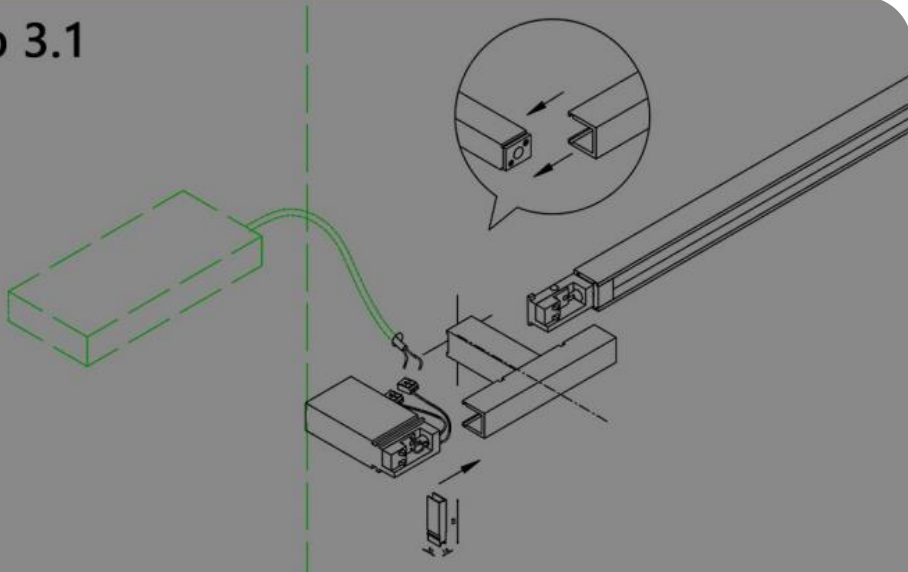
Installing and fixing the support post into the wall or the ceiling

Step 3.2



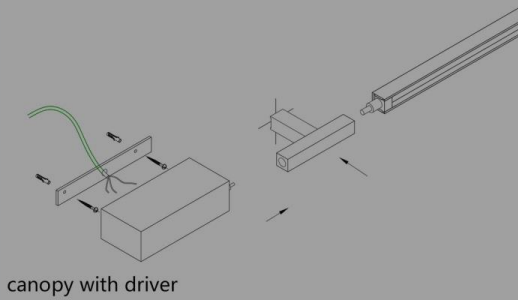
connecting the profile or
arm-light with the connector by inserting

Step 3.1



connecting the connector
with the support post by inserting

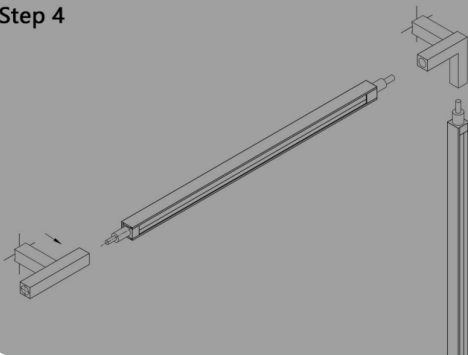
Step 3



The installation with the driver surface mounted (in the canopy) on the wall or ceiling

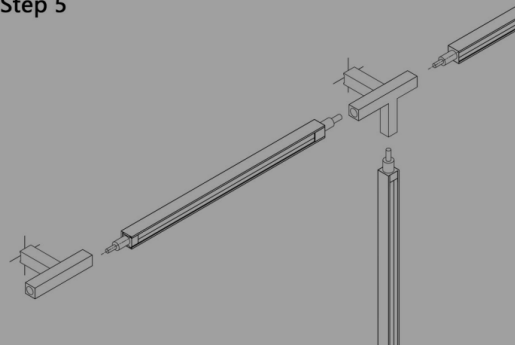
- 1, connecting the connector with the support post by inserting;
- 2, connecting the profile or arm-light with the connector by inserting;
- 3, positioning and fixing the canopy (which contains the driver) on the wall or ceiling;

Step 4



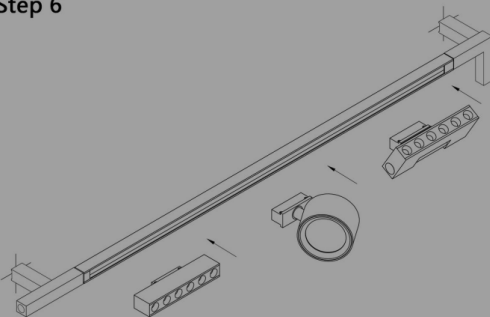
The way how to install with the elbow connector

Step 5



The way how to install with the tri-connector

Step 6


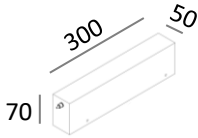



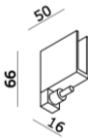

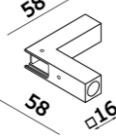

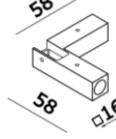

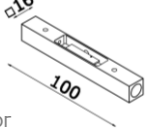


Installing the spots into the profile by inserting

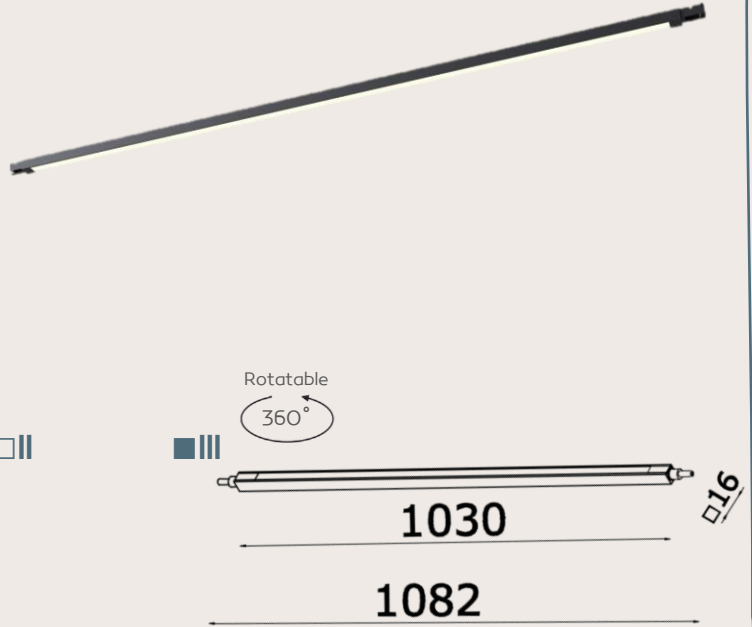
Linear Profile Tracks:



Linear Profile Parts:

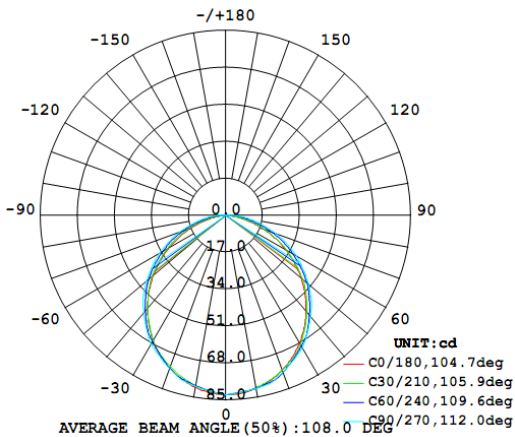
	Line Drawing	Item Code	Dimension(mm)	Color
		LC179	300x100	Black
		LC180	18X16X57	Black
		LC181	16X50X66	Black
		LC182	58X58X16	Black
		LC183	58X58X16	Black
		LC184	16X16X100	Black

Code	LC188
Input Voltage	DC 48V
Power(Watts)	12.6W
Lumen	221.9lm
Beam Angle	108°
Light Source	TEEN LED
Color Temperature	3000K
CRI ≥	90
IP level	IP20
Main Material	Aluminum
Body Color	Black
Class	<input type="checkbox"/> I <input type="checkbox"/> II <input checked="" type="checkbox"/> III

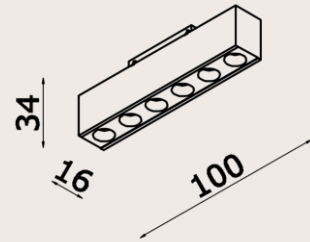


Optic Data

Luminous Intensity Distribution Curve

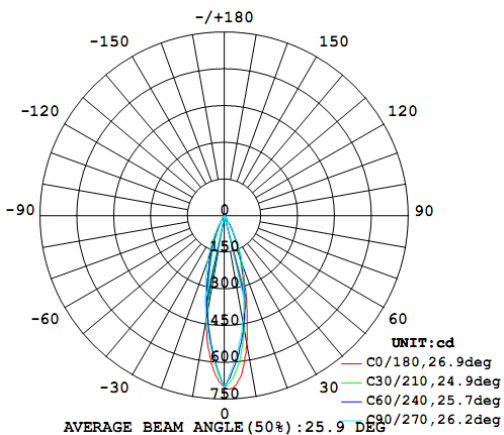


Code	LC189
Input Voltage	DC 48V
Power(Watts)	6x0.6 W (4W)
Lumen	193.5lm
Beam Angle	25°
Light Source	Osram LED
Color Temperature	3000K
CRI ≥	90
IP level	IP20
Main Material	Aluminum
Body Color	Black
Class	<input type="checkbox"/> I <input type="checkbox"/> II <input checked="" type="checkbox"/> III

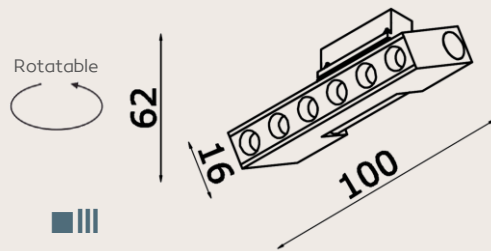


Optic Data

Luminous Intensity Distribution Curve

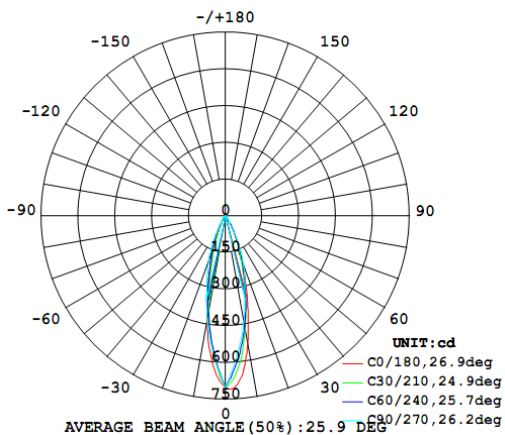


Code	LC192 (Spot Rotational)
Input Voltage	DC 48V
Power(Watts)	6x0.6 W (4W)
Lumen	193.5lm
Beam Angle	25°
Light Source	Osram LED
Color Temperature	3000K
CRI ≥	90
IP level	IP20
Main Material	Aluminum
Body Color	Black
Class	<input type="checkbox"/> I <input type="checkbox"/> II <input checked="" type="checkbox"/> III

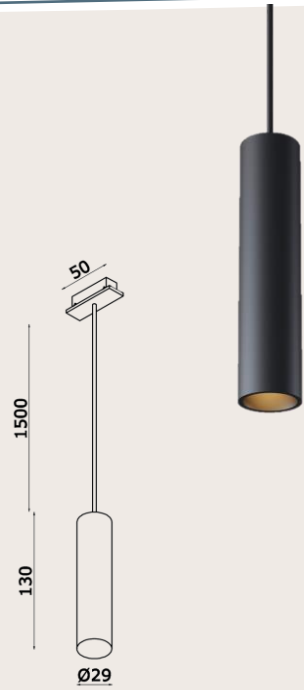


Optic Data

Luminous Intensity Distribution Curve

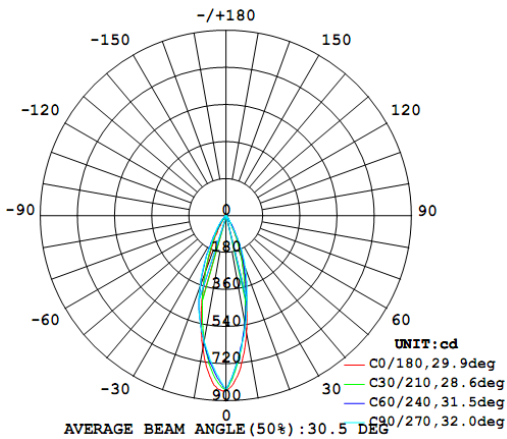


Code	LC190
Input Voltage	DC 48V
Power(Watts)	5.4W
Lumen	292.4lm
Beam Angle	30°
Light Source	TEEN LED
Color Temperature	3000K
CRI ≥	90
IP level	IP20
Main Material	Aluminum
Body Color	Black
Class	<input type="checkbox"/> I <input type="checkbox"/> II <input checked="" type="checkbox"/> III



Optic Data

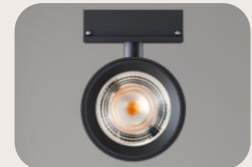
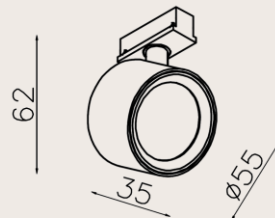
Luminous Intensity Distribution Curve



Code	LC191 (180 ° Rotational)
Input Voltage	DC 48V
Power(Watts)	5W
Lumen	477.9lm
Beam Angle	19°
Light Source	TEEN LED
Color Temperature	3000K
CRI ≥	90
IP level	IP20
Main Material	Aluminum
Body Color	Black
Class	<input type="checkbox"/> I <input type="checkbox"/> II <input checked="" type="checkbox"/> III

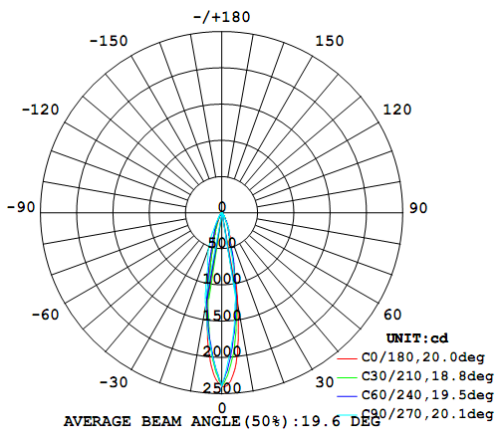


Adjustable Beam Angle



Optic Data

Luminous Intensity Distribution Curve







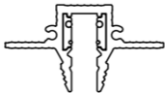
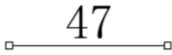


4 Wire Micro Track Light

Description of Accessories

Recessed Track ▶

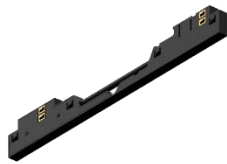
Diameter	Code	Color
2000mm	T428	Black
3000mm	T429	Black



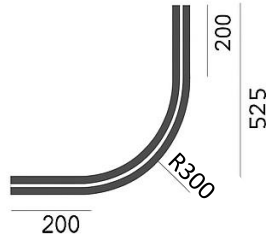
Track Installation Connectors & Accessories



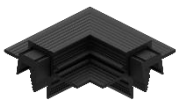
T423



T422



T404



T425



T430

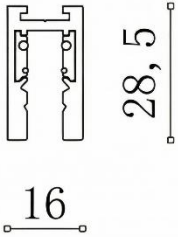


T424

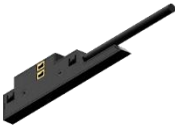
Description of Accessories

Surface Track ▶

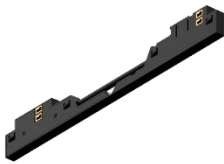
Diameter	Code	Color
2000mm	T401	Anodized Dark Gray



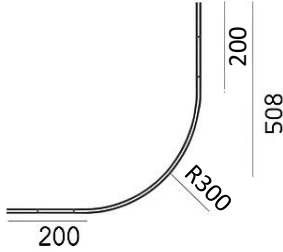
Track Installation Connectors & Accessories



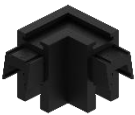
T423



T422



T403



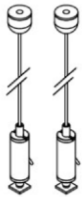
T426



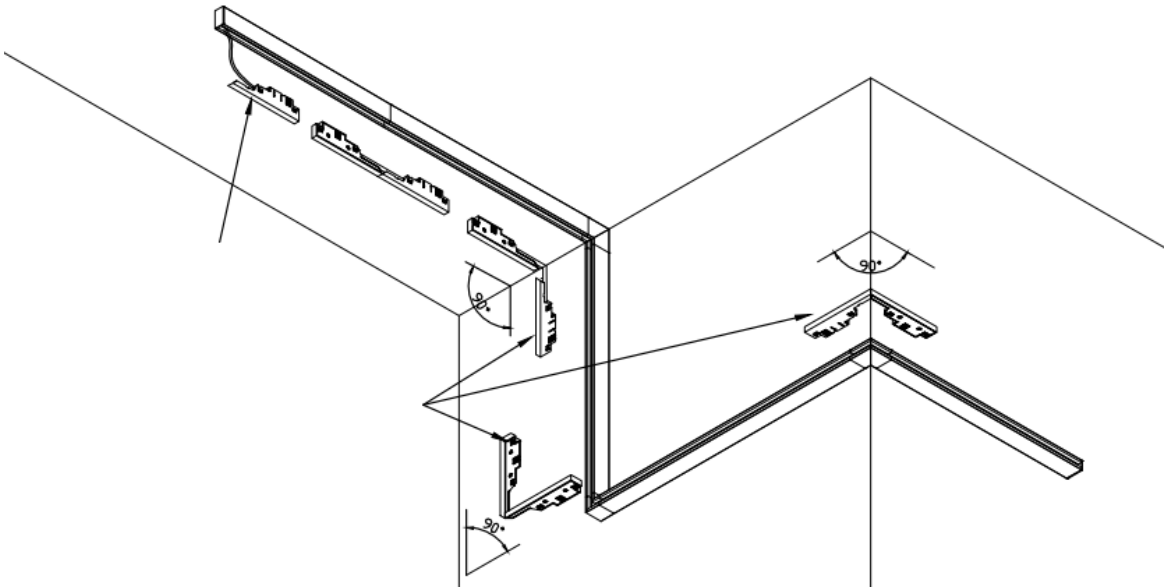
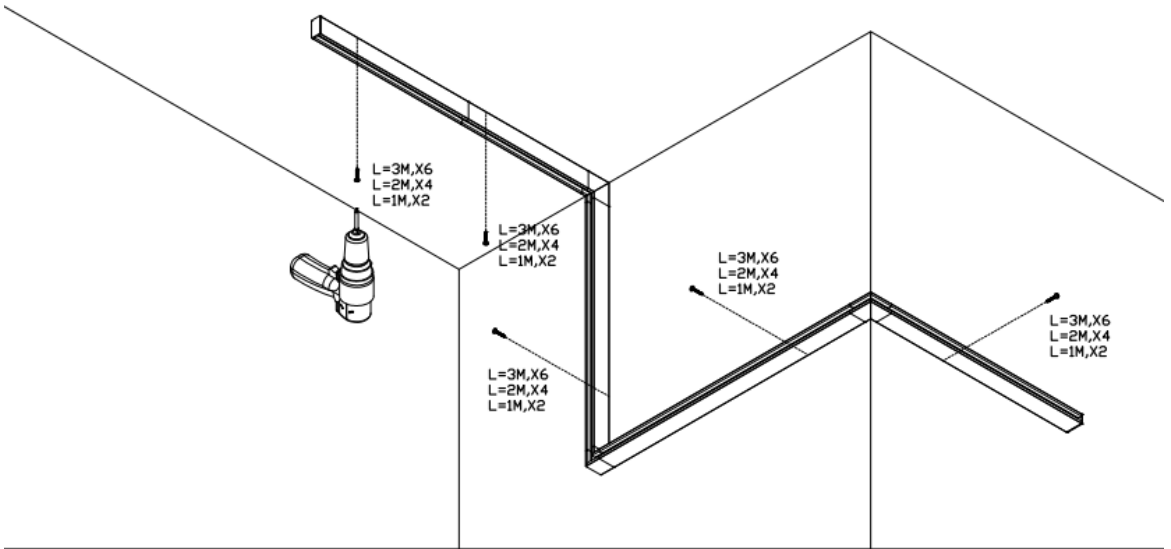
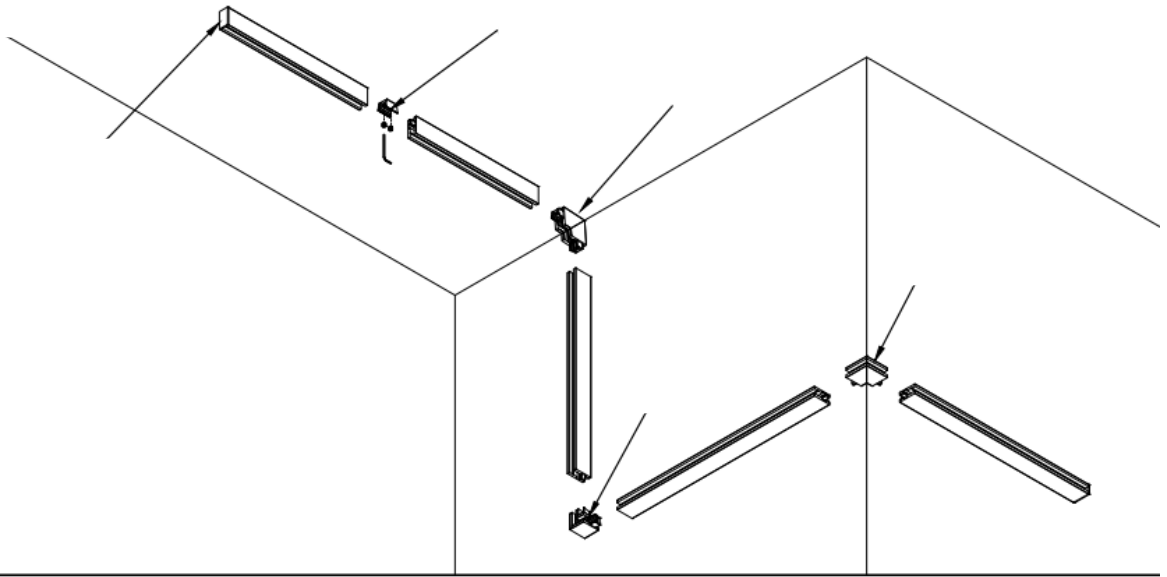
T402

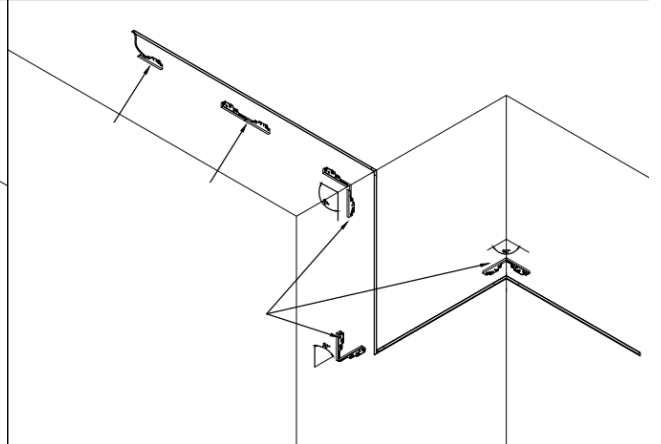
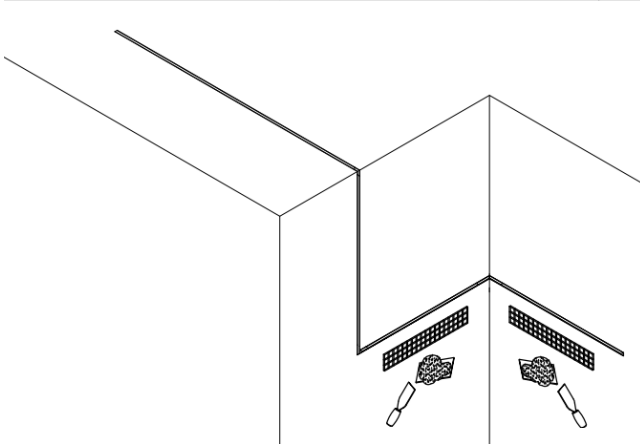
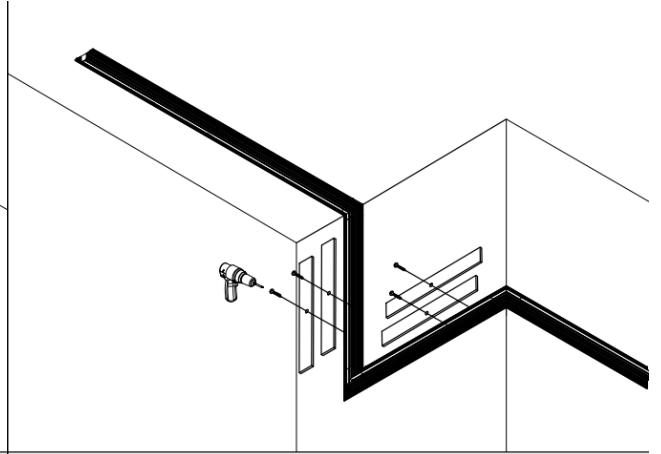
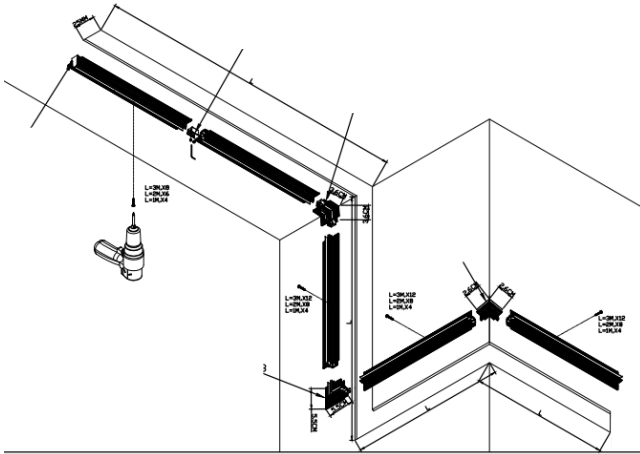


T424

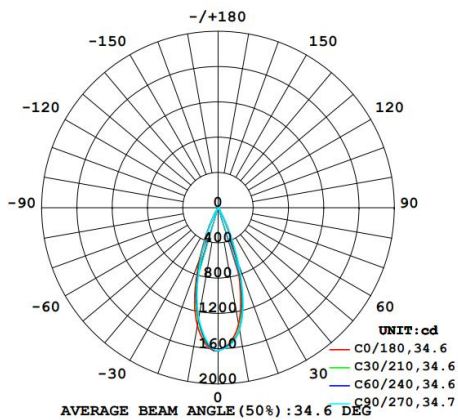
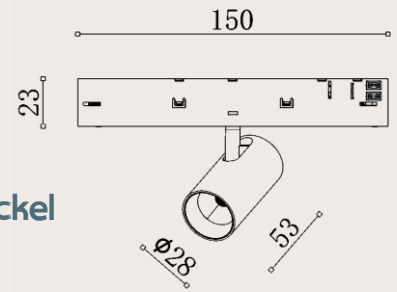


T427





Code	T406 (WHT) T407 (GLD) T408 (GRY) T409 (NKL)	
Input Voltage	DC 48V	
Power(Watts)	4.5W	
Lumen	548.9 lm	
Lamp holder	Ceramic PCB	
Light Source	CREE CMB1304 Pr09	
Beam Angle	36°	
Color Temperature	3000K	
CRI ≥	90	
Main Material	Aluminum	
Wire connection way	Track Adaptor	
Body Color	White / Gold / Dark Gray / Nickel	
Class	<input type="checkbox"/> I <input type="checkbox"/> II <input checked="" type="checkbox"/> III	
Certificates	CE , ROHS	

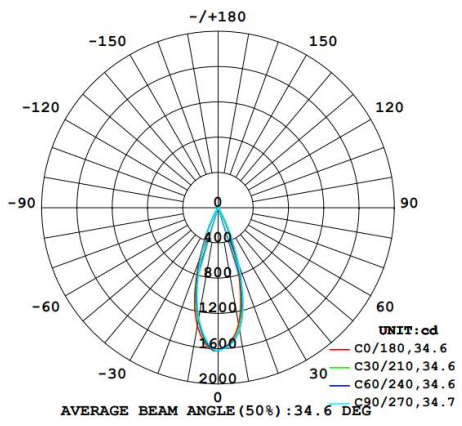
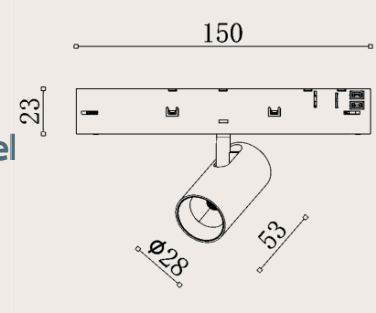
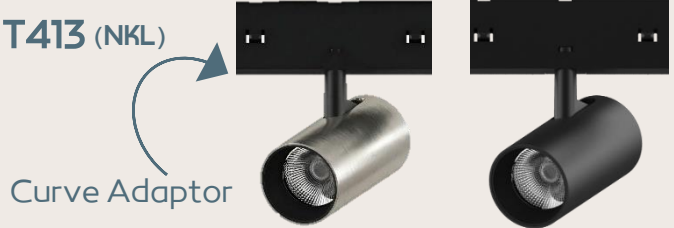


Flux out:362.1 lm

Height	Eavg, Emax	Angle:34.60deg	Diameter
1m	1092,1624lx		62.28cm
2m	273.0,406.0lx		124.57cm
3m	121.3,180.5lx		186.85cm
4m	68.24,101.5lx		249.14cm
5m	43.67,64.96lx		311.42cm
6m	30.33,45.11lx		373.71cm
7m	22.28,33.15lx		435.99cm
8m	17.06,25.38lx		498.28cm
9m	13.48,20.05lx		560.56cm
10m	10.92,16.24lx		622.85cm

Note: The Curves indicate the illuminated area and the average illumination when the luminaire is at different distance.

Code	T410 (BLK) T411 (GLD) T412 (GRY) T413 (NKL)
Input Voltage	DC 48V
Power(Watts)	4.5W
Lumen	548.9 lm
Lamp holder	Ceramic PCB
Light Source	CREE CMB1304 PrO9
Beam Angle	36°
Color Temperature	3000K
CRI ≥	90
Main Material	Aluminum
Wire connection way	Track Adaptor
Body Color	Black / Gold / Dark Gray / Nickel
Class	□ I □ II ■ III
Certificates	CE , ROHS



Flux out:362.1 lm

1m	1092,1624lx	62.28cm
2m	273.0,406.0lx	124.57cm
3m	121.3,180.5lx	186.85cm
4m	68.24,101.5lx	249.14cm
5m	43.67,64.96lx	311.42cm
6m	30.33,45.11lx	373.71cm
7m	22.28,33.15lx	435.99cm
8m	17.06,25.38lx	498.28cm
9m	13.48,20.05lx	560.56cm
10m	10.92,16.24lx	622.85cm

Height Eavg, Emax Angle:34.60deg Diameter
 Note: The Curves indicate the illuminated area and the average illumination when the luminaire is at different distance.

Code T415 (GRY) T416 (NKL)

Input Voltage DC 48V

Power(Watts) 10.8W

Lumen 1252 lm

Lamp holder ceramic PCB

Light Source CREE CMB1306 Pr09

Beam Angle 30°

Color Temperature 3000K

CRI ≥ 90

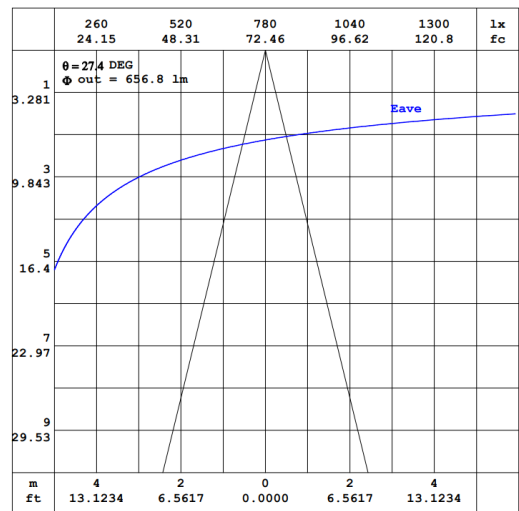
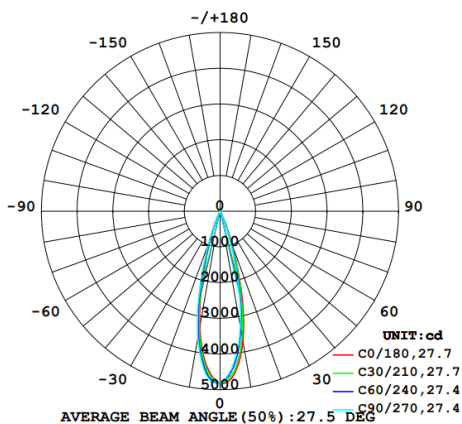
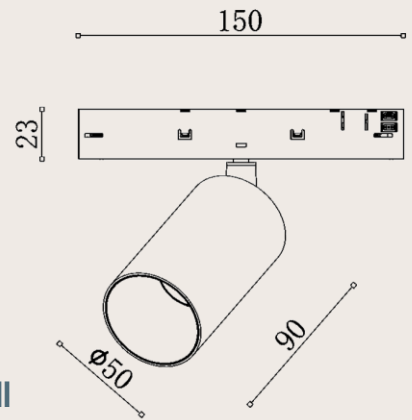
Main Material Aluminum

Body Color Dark Gray / Nickel

Wire connection way Track Adaptor

Class I II III

Certificates CE , ROHS



Note: The Curves indicate the illuminated area and the average illumination when the luminaire is at different distance.

Code T417 (GRY) T418 (NKL)

Curve Adaptor

Input Voltage DC 48V

Power(Watts) 10.8W

Lumen 1252lm

Lamp holder ceramic PCB

Light Source CREE CMB1306 Pr09

Beam Angle 30°

Color Temperature 3000K

CRI ≥ 90

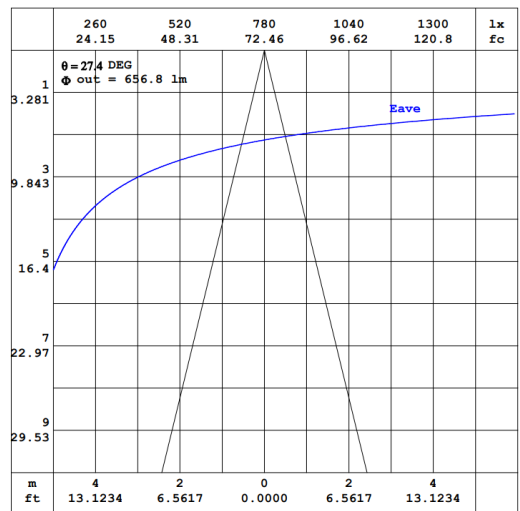
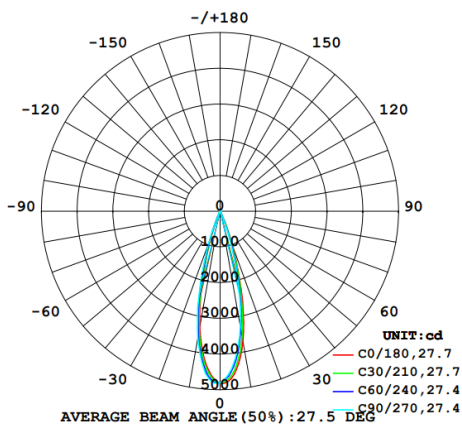
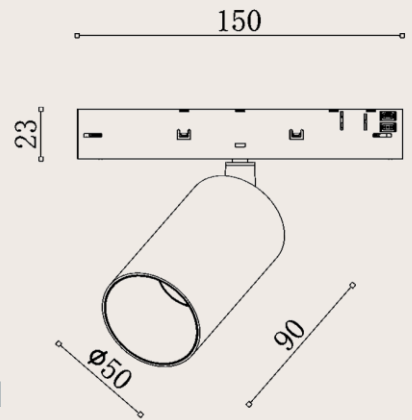
Main Material Aluminum

Body Color Dark Gray / Nickel

Wire connection way Track Adaptor

Class I II III

Certificates CE , ROHS



Note: The Curves indicate the illuminated area and the average illumination when the luminaire is at different distance.

Code T419 (GRY) T420 (NKL)

Curve Adaptor

Input Voltage DC 48V

Power(Watts) 18W

Lumen 2101.3lm

Lamp holder ceramic PCB

Light Source CREE CMB1310 Pr09

Beam Angle 30°

Color Temperature 3000K

CRI ≥ 90

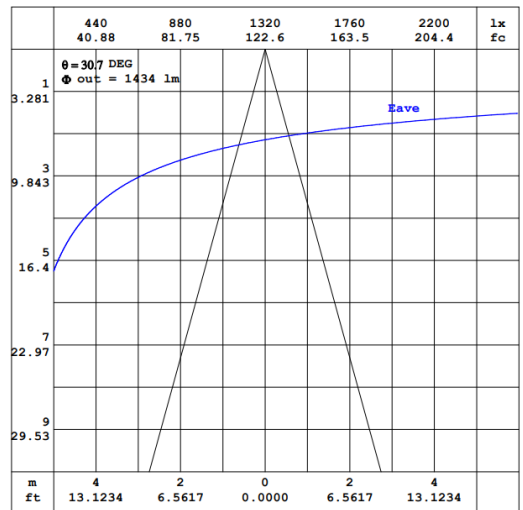
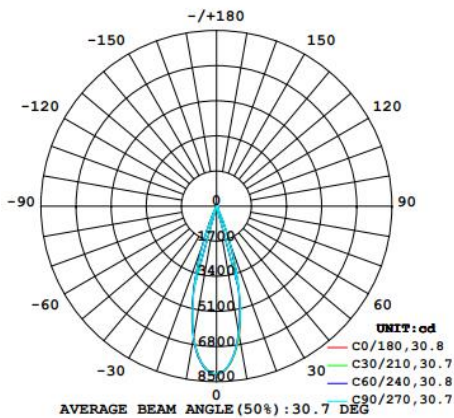
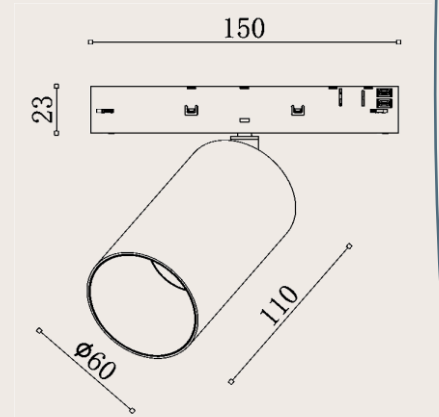
Main Material Aluminum

Body color Dark Gray / Nickel

Wire connection way Track Adaptor

Class I II III

Certificates CE , ROHS



Note: The Curves indicate the illuminated area and the average illumination when the luminaire is at different distance.

Code T432

Input Voltage DC 48V

Power(Watts) 4.5W

Lumen 327lm

Lamp holder ceramic PCB

Light Source Bridgelux 2835

Beam Angle 100°

Color Temperature 3000K

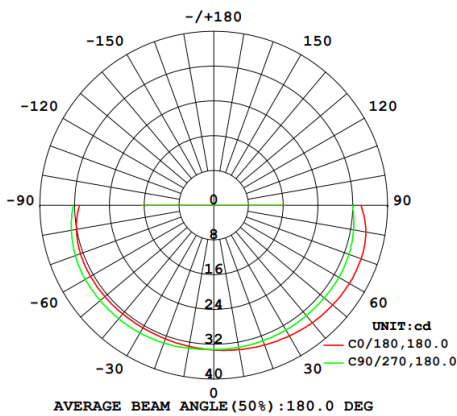
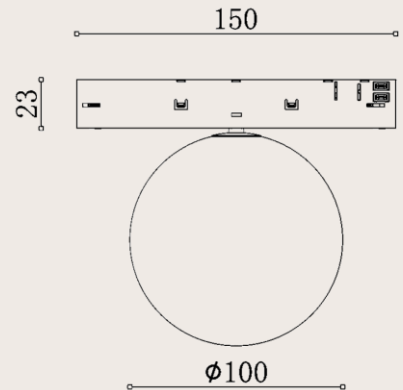
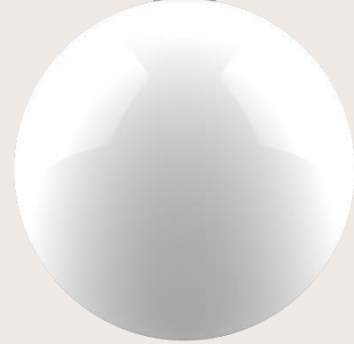
CRI ≥ 90

Main Material Aluminum

Wire connection way Track Adaptor

Class I II III

Certificates CE . ROHS



Flux out: 61.85 lm

Height	Eavg, Emax	Angle: 90.00deg	Diameter
1m	19.69, 33.331x		200.00cm
2m	4.922, 8.3321x		400.00cm
3m	2.188, 3.7031x		600.00cm
4m	1.231, 2.0831x		800.00cm
5m	0.7875, 1.3331x		1000.00cm
6m	0.5469, 0.92571x		1200.00cm
7m	0.4018, 0.68011x		1400.00cm
8m	0.3076, 0.52071x		1600.00cm
9m	0.2431, 0.41141x		1800.00cm
10m	0.1969, 0.33331x		2000.00cm

Note: The Curves indicate the illuminated area and the average illumination when the luminaire is at different distance.

Code T414

Input Voltage DC 48V

Power(Watts) 12W

Lumen 346lm

Lamp holder ceramic PCB

Light Source SMD2835

Color Temperature 3000K

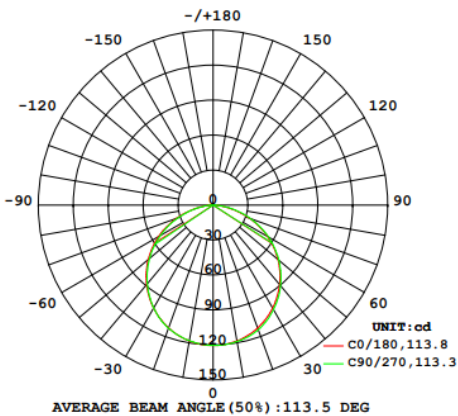
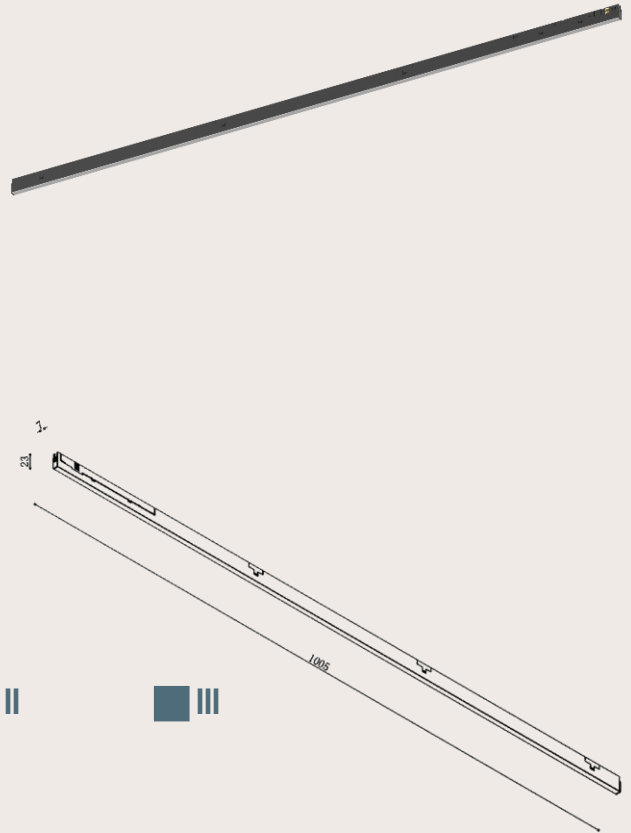
CRI \geq 90

Main Material Aluminum

Wire connection way Track Adaptor

Class I II III

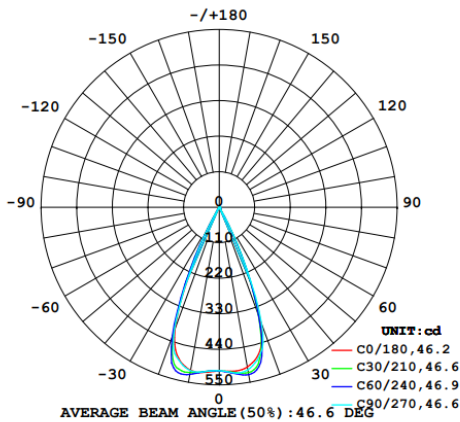
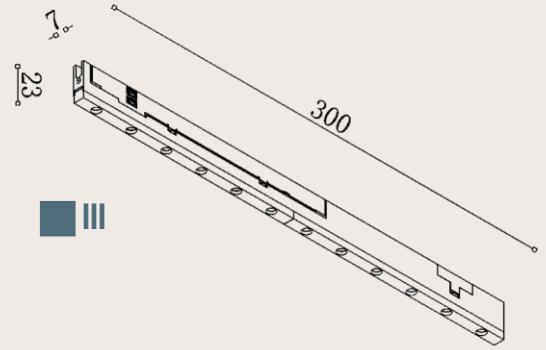
Certificates CE , ROHS



	10	20	30	40	50	lx
	0.929	1.858	2.787	3.716	4.645	fc
$\theta = 113.3 \text{ DEG}$						
$\Phi \text{ out} = 257.5 \text{ lm}$						
1	Eave					
3						
5						
7						
9						
m	4	2	0	2	4	
ft	13.1234	6.5617	0.0000	6.5617	13.1234	

Note: The Curves indicate the illuminated area and the average illumination when the luminaire is at different distance.

Code	T421
Input Voltage	DC 48V
Power(Watts)	9W
Lumen	274lm
Lamp holder	flexible lamp belt
Light Source	LatticePower CSP1111
Color Temperature	3000K
CRI \geq	80
Main Material	Aluminum
Wire connection way	Track Adaptor
Class	<input type="checkbox"/> I <input type="checkbox"/> II <input checked="" type="checkbox"/> III
Certificates	CE , ROHS

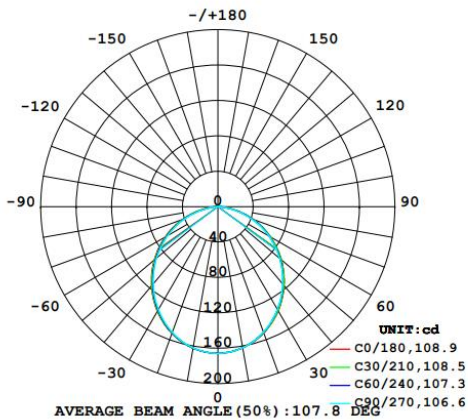
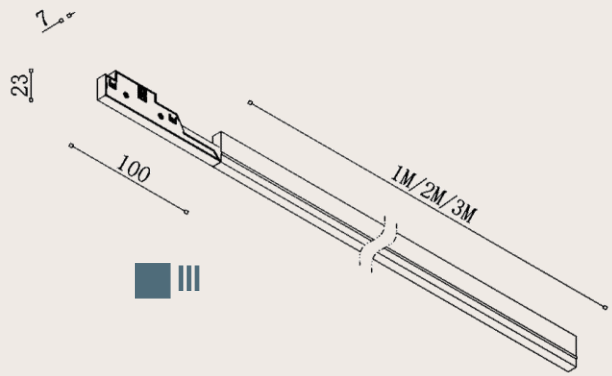


Flux out:234.4 lm

Height	Eavg, Emax	Angle:46.17deg	Diameter
1m	376.4,511.3lx		85.24cm
2m	94.11,127.8lx		170.48cm
3m	41.82,56.81lx		255.73cm
4m	23.53,31.96lx		340.97cm
5m	15.06,20.45lx		426.21cm
6m	10.46,14.20lx		511.45cm
7m	7.682,10.43lx		596.69cm
8m	5.882,7.98lx		681.93cm
9m	4.647,6.31lx		767.18cm
10m	3.764,5.11lx		852.42cm

Note: The Curves indicate the illuminated area and the average illumination when the luminaire is at different distance.

Code	T405
Input Voltage	DC 48V
Power(Watts)	12W
Lamp holder	LED strip – SMD2835
Lumen	446lm
Color Temperature	3000K
CRI \geq	90
Main Material	Silica gel
Wire connection way	Track Adaptor
Class	<input type="checkbox"/> I <input type="checkbox"/> II <input checked="" type="checkbox"/> III
Certificates	CE . ROHS

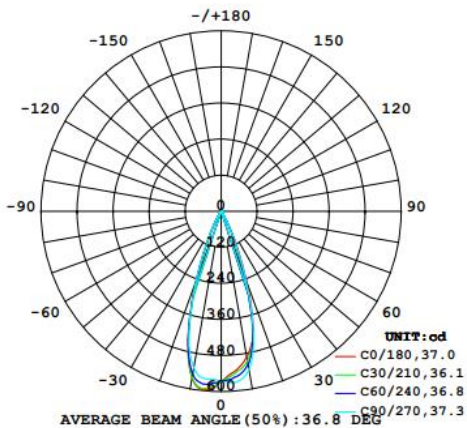
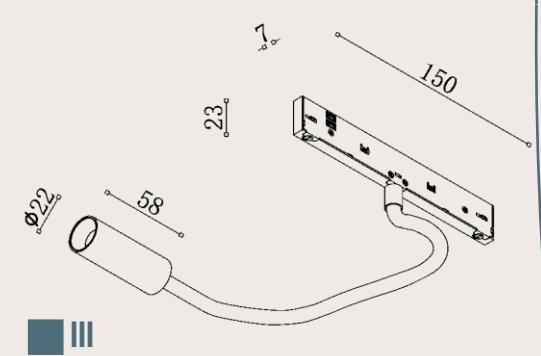


Flux out: 311.8 lm

Height	Eavg, Emax	Angle: 106.56deg	Diameter
1m	54.35, 165.71x		268.13cm
2m	13.59, 41.431x		536.25cm
3m	6.039, 18.411x		804.38cm
4m	3.397, 10.361x		1072.51cm
5m	2.174, 6.6291x		1340.63cm
6m	1.510, 4.6041x		1608.76cm
7m	1.109, 3.3821x		1876.89cm
8m	0.8492, 2.5901x		2145.01cm
9m	0.6710, 2.0461x		2413.14cm
10m	0.5435, 1.6571x		2681.27cm

Note: The Curves indicate the illuminated area and the average illumination when the luminaire is at different distance.

Code	T431
Input Voltage	DC 48V
Power(Watts)	2.1W
Lumen	222lm
Lamp holder	ceramic PCB
Light Source	CREE XPG-4
Beam Angle	36°
Color Temperature	3000K
CRI ≥	90
Main Material	Aluminum
Body color	Dark Gray
Wire connection way	Track Adaptor
Class	<input type="checkbox"/> I <input type="checkbox"/> II
Certificates	CE , ROHS



Flux out:148.2 lm

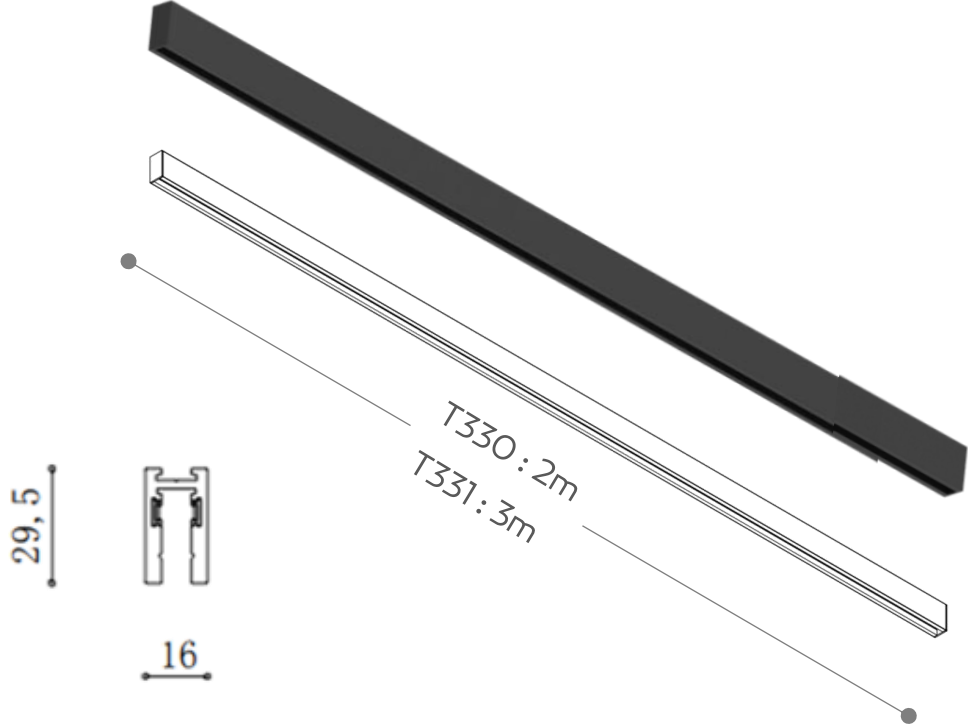
Height	Eavg, Emax	Angle:37.00deg	Diameter
1m	421.3,590.1lx		66.91cm
2m	105.3,147.5lx		133.82cm
3m	46.81,65.57lx		200.74cm
4m	26.33,36.88lx		267.65cm
5m	16.85,23.60lx		334.56cm
6m	11.70,16.39lx		401.47cm
7m	8.598,12.04lx		468.38cm
8m	6.583,9.221lx		535.29cm
9m	5.201,7.285lx		602.21cm
10m	4.213,5.901lx		669.12cm

Note: The Curves indicate the illuminated area and the average illumination when the luminaire is at different distance.

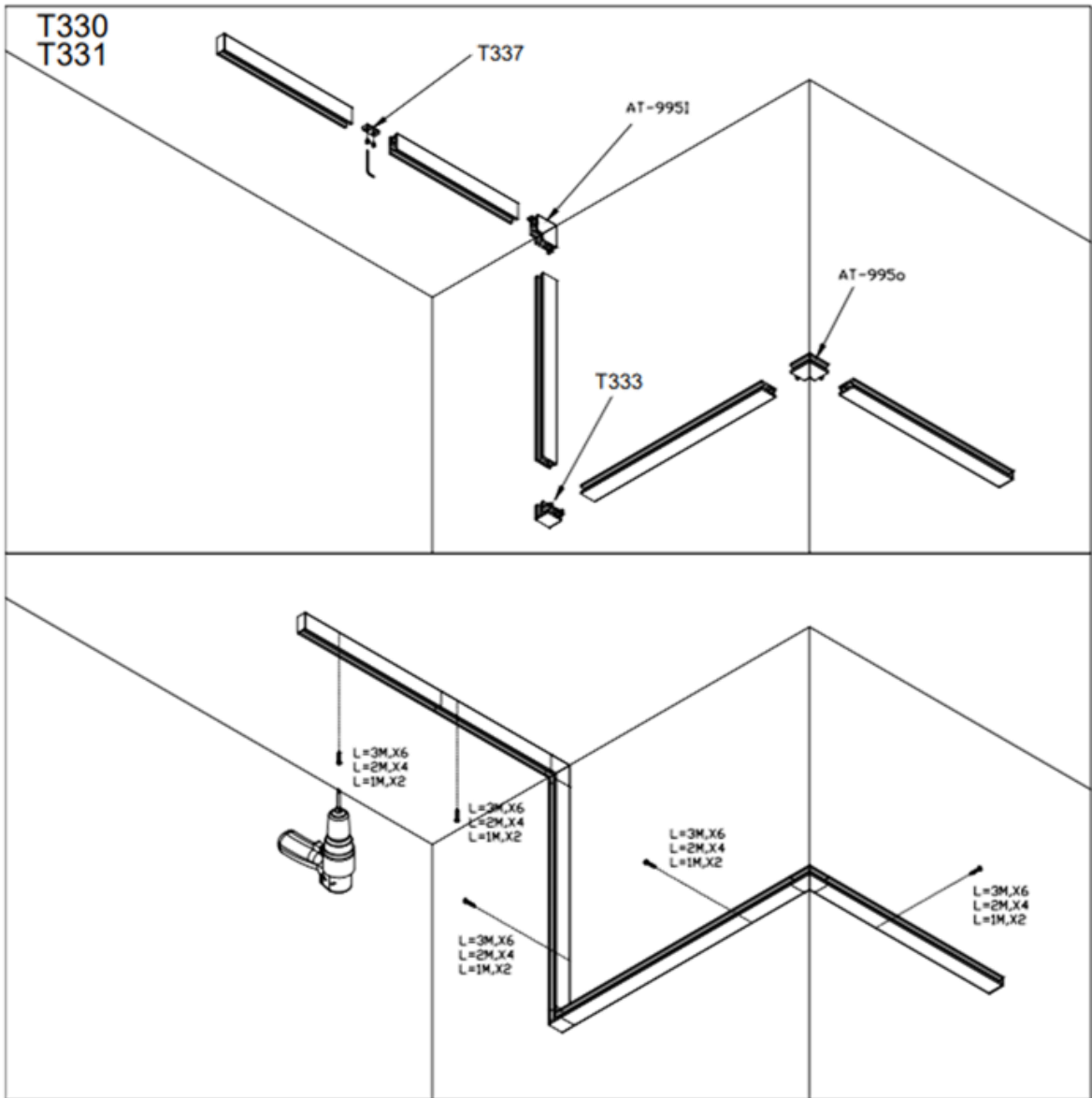


Micro Track Light

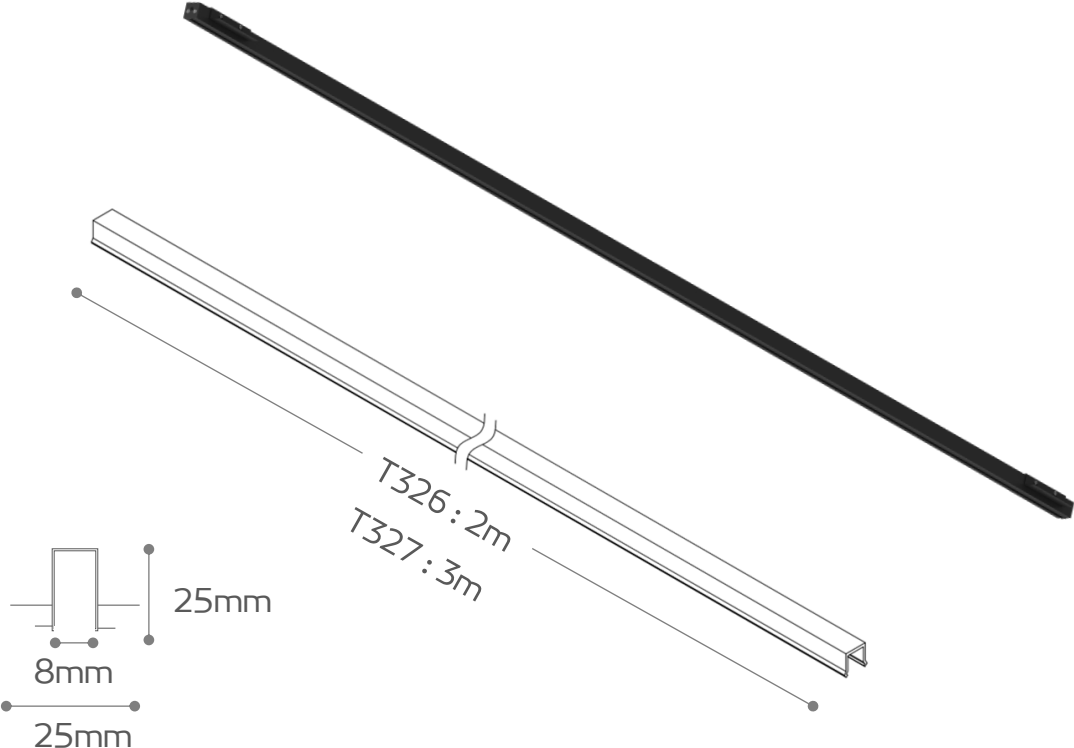
Micro Surface Tracks:



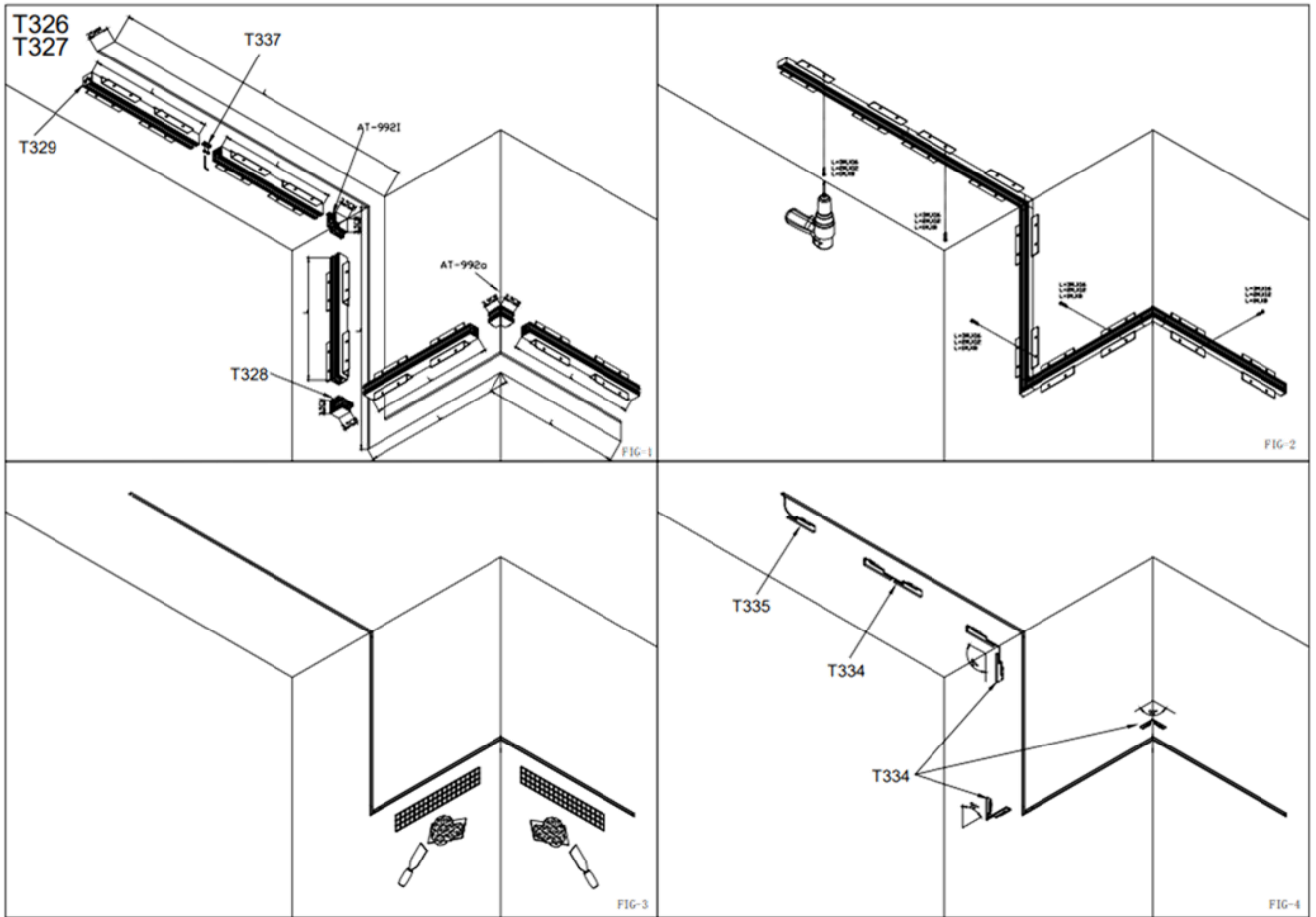
Micro Surface Track Installation:



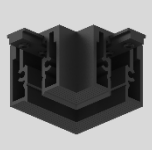
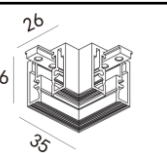
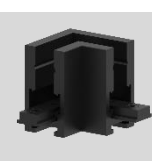
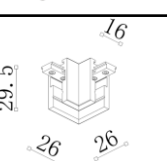

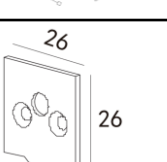

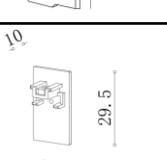

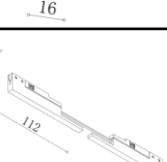
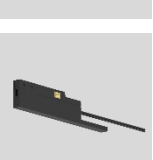
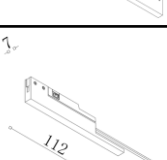

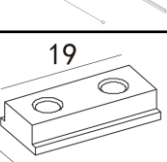
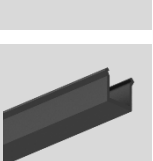
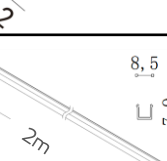
Micro Recessed Tracks:



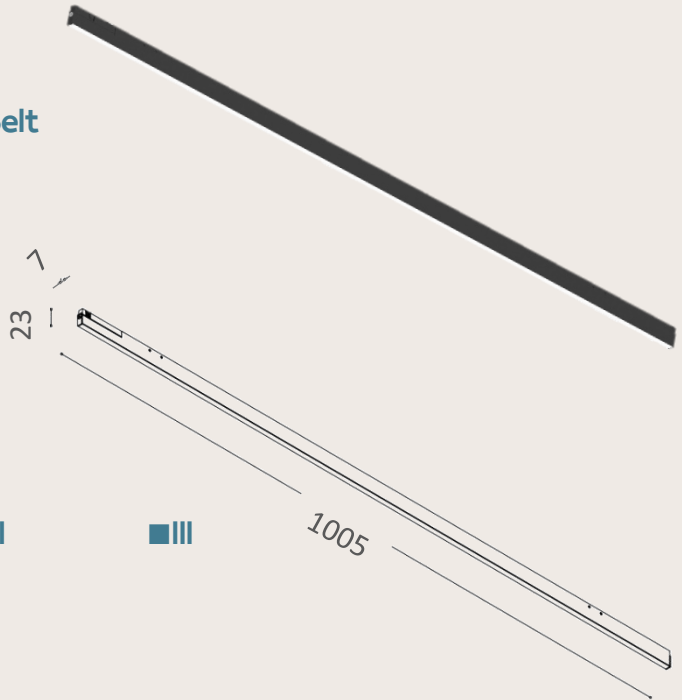
Micro Recessed Track Installation:



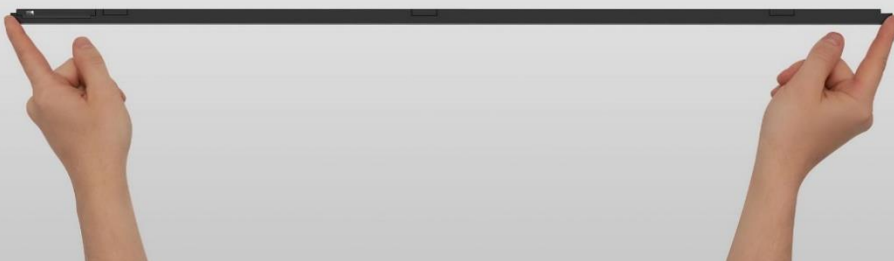
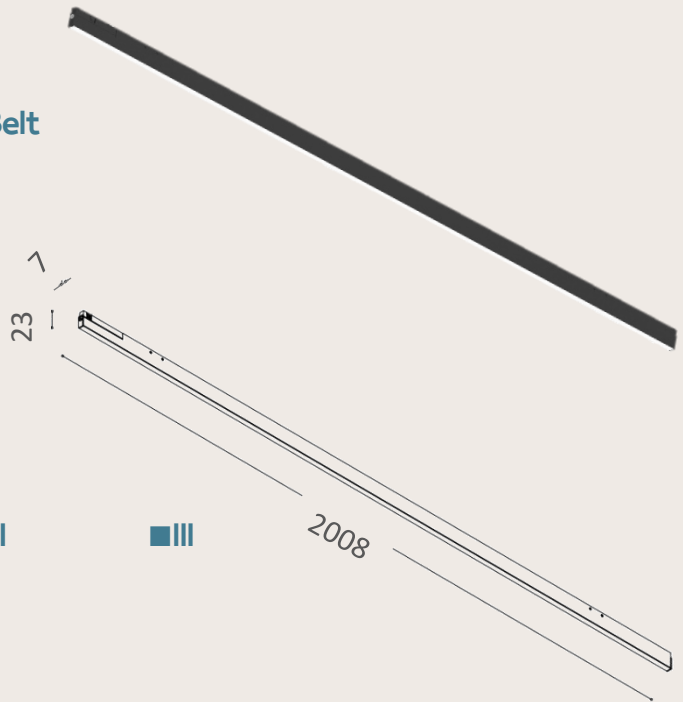
Micro Track Parts:

	Description	Line Drawing	Item Code	Dimension(mm)	Color
	Micro Recessed Track, L corner		T328	35x26x26	Black
	Micro Surface Track, L corner		T333	26x26x29.5	Black
	End cap for recessed track		T329	26x26	Black
	End cap for surface track		T332	16x10x29.5	Black
	Electricity connector		T334	112x7x23	Black
	Electricity Live in		T335	112x7x23	Black
	Connection part of tracks		T337	9.2x19x4	Black
	Track cover 2m		T336	2000X8.5X7.9	Black

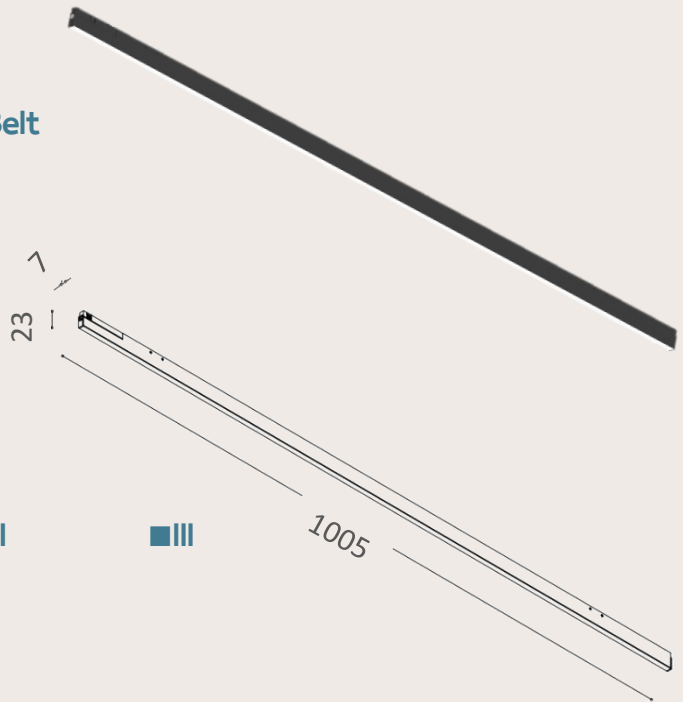
Code	T338
Input Voltage	DC48
Power(Watts)	10W
Lumen	439lm
Lamp holder	Flexible Lamp Belt
Light Source	Bridgelux 2835
Beam Angle	120°
Color Temperature	3000K
CRI ≥	80
IP level	IP20
Main Material	Aluminum
Wire connection way	Terminal block
Class	<input type="checkbox"/> I <input type="checkbox"/> II <input checked="" type="checkbox"/> III
Certificates	CE . ROHS



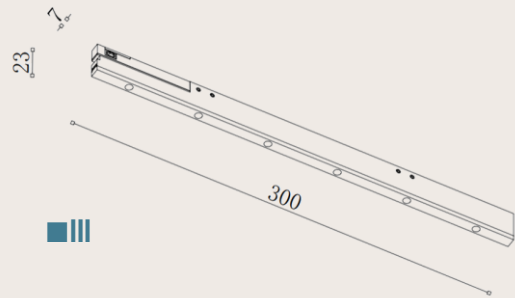
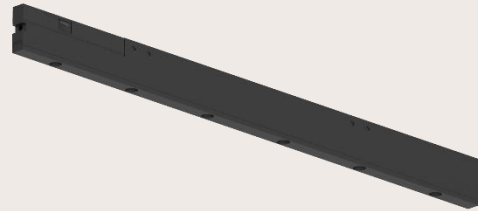
Code	T339
Input Voltage	DC48
Power(Watts)	20W
Lumen	880lm
Lamp holder	Flexible Lamp Belt
Light Source	Bridgelux 2835
Beam Angle	120°
Color Temperature	3000K
CRI ≥	80
IP level	IP20
Main Material	Aluminum
Wire connection way	Terminal block
Class	<input type="checkbox"/> I <input type="checkbox"/> II <input checked="" type="checkbox"/> III
Certificates	CE . ROHS



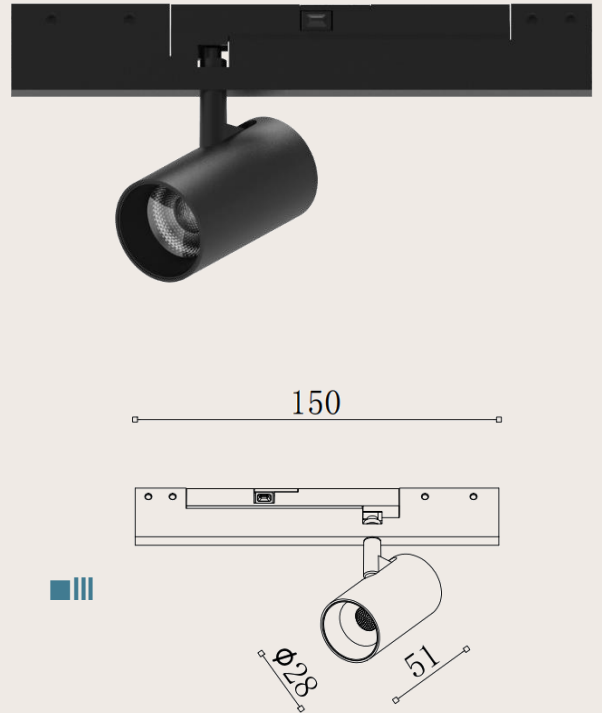
Code	T346 (Wallwasher)
Input Voltage	DC48
Power(Watts)	12W
Lumen	321.7lm
Lamp holder	Flexible Lamp Belt
Light Source	Bridgelux 2835
Beam Angle	124.4°
Color Temperature	3000K
CRI ≥	90
IP level	IP20
Main Material	Aluminum
Wire connection way	Terminal block
Class	<input type="checkbox"/> I <input type="checkbox"/> II <input checked="" type="checkbox"/> III
Certificates	CE . ROHS



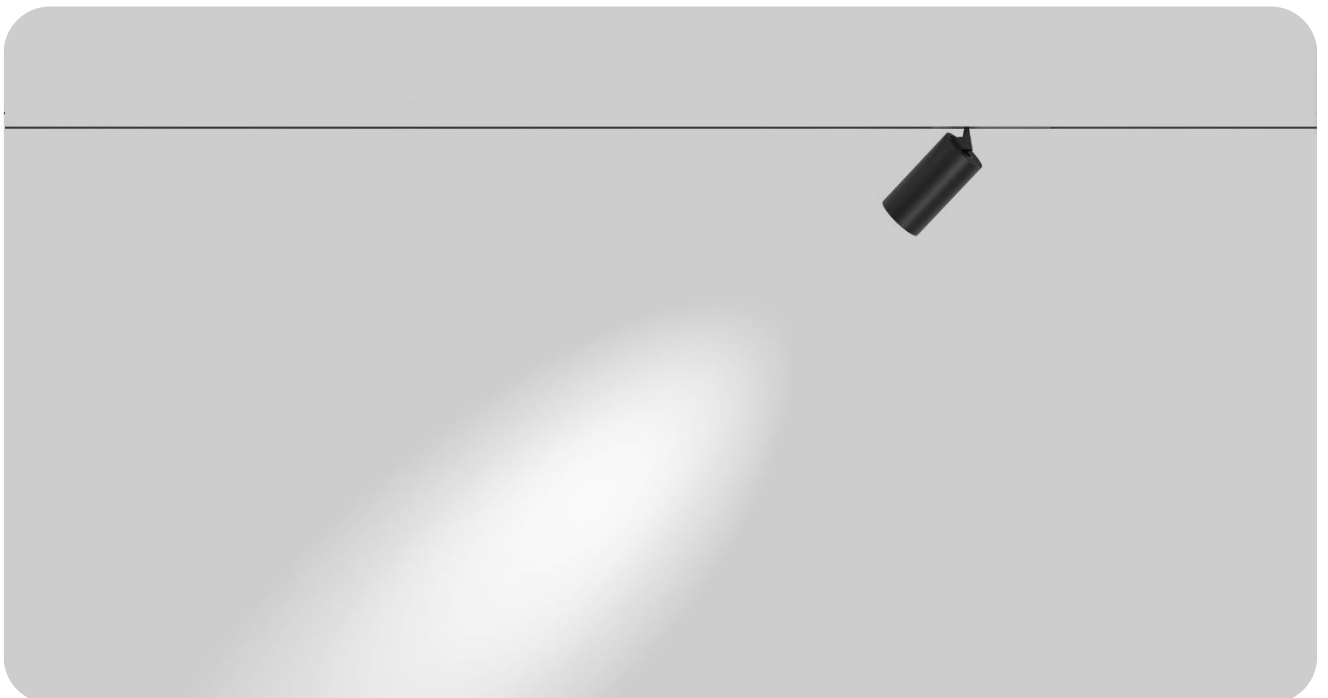
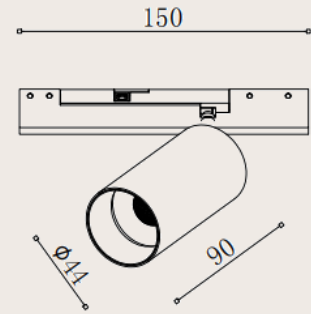
Code	T382
Input Voltage	DC48
Power(Watts)	4W
Lumen	258lm
Lamp holder	Flexible Lamp Belt
Light Source	CREE 3030
Beam Angle	75°
Color Temperature	3000K
CRI ≥	90
IP level	IP20
Main Material	Aluminum
Wire connection way	Terminal block
Class	<input type="checkbox"/> I <input type="checkbox"/> II
Certificates	CE . ROHS



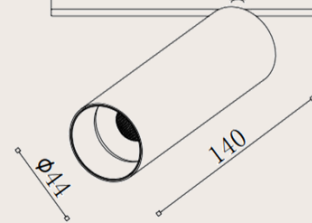
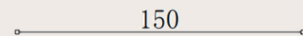
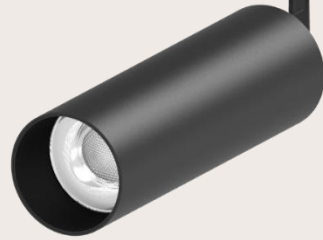
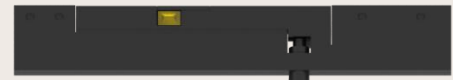
Code	T340
Input Voltage	DC48
Power(Watts)	4.5W
Lumen	416lm
Lamp holder	Flexible Lamp Belt
Light Source	CREE CXAI304
Beam Angle	36°
Color Temperature	3000K
CRI ≥	90
IP level	IP20
Main Material	Aluminum
Wire connection way	Terminal block
Class	<input type="checkbox"/> I <input type="checkbox"/> II <input checked="" type="checkbox"/> III
Certificates	CE . ROHS



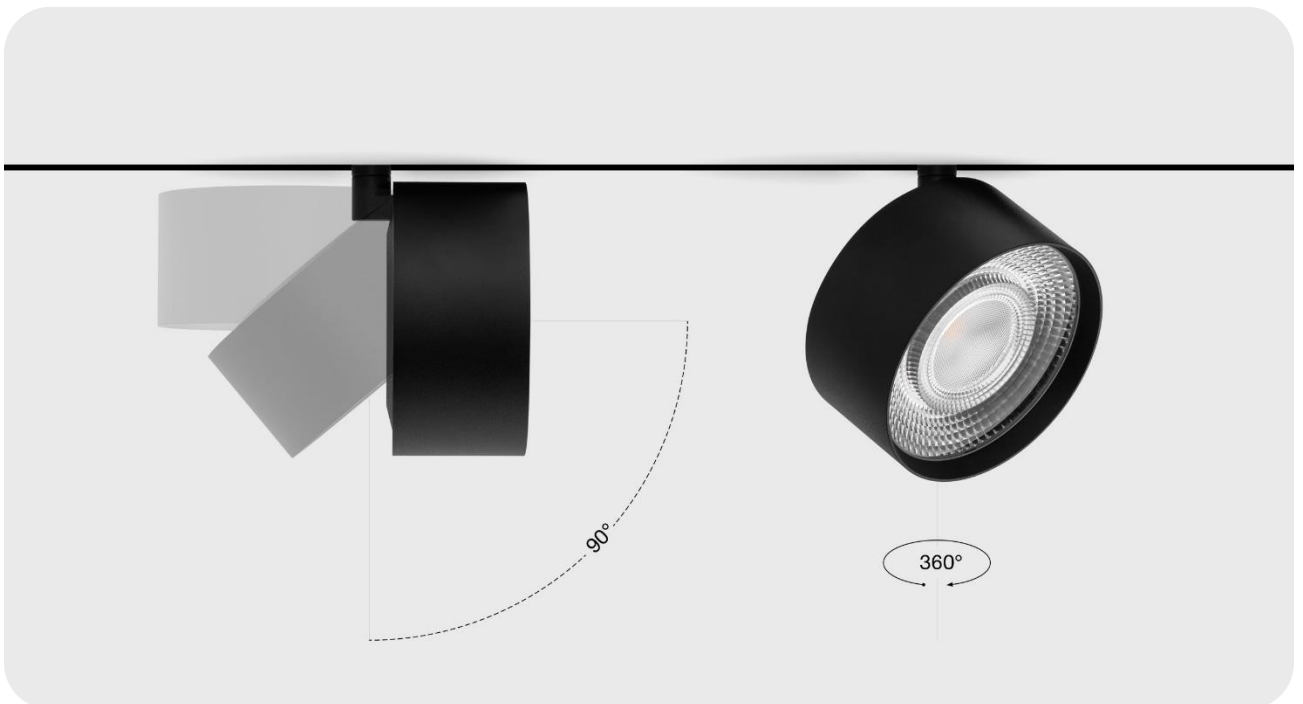
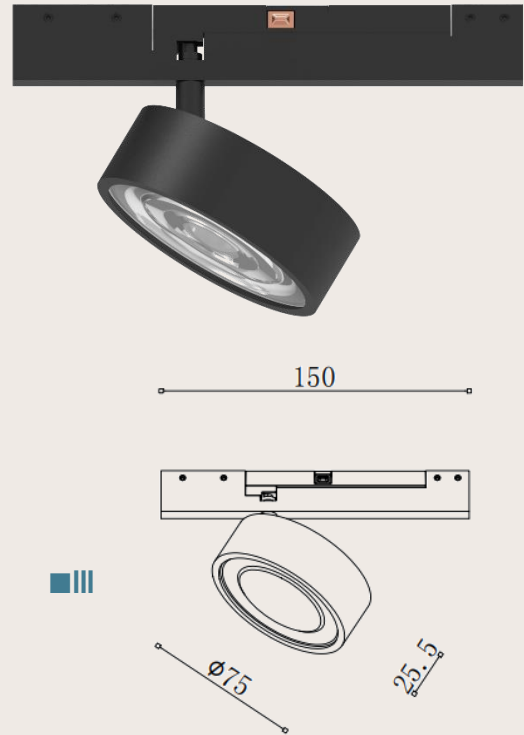
Code	T344
Input Voltage	DC48
Power(Watts)	13W
Lamp holder	Flexible Lamp Belt
Light Source	CREE CXB1512
Beam Angle	30°
Color Temperature	3000K
CRI ≥	90
IP level	IP20
Main Material	Aluminum
Wire connection way	Terminal block
Class	<input type="checkbox"/> I <input type="checkbox"/> II <input checked="" type="checkbox"/> III
Certificates	CE , ROHS



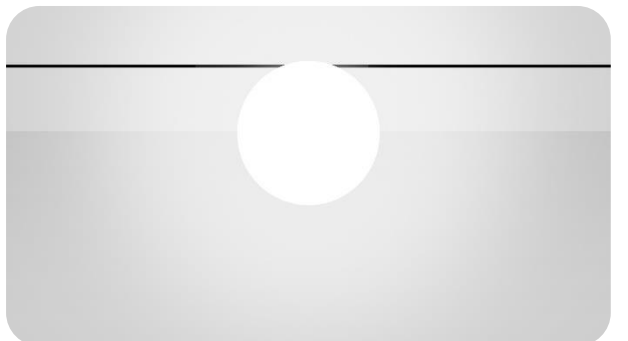
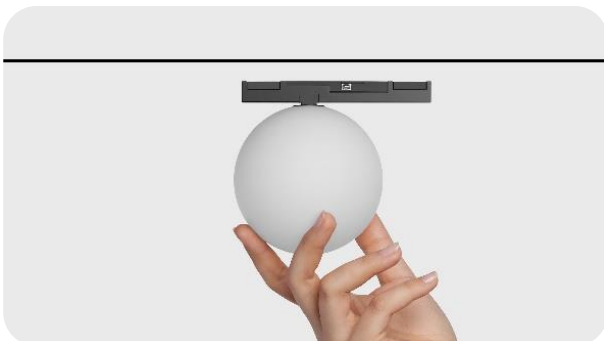
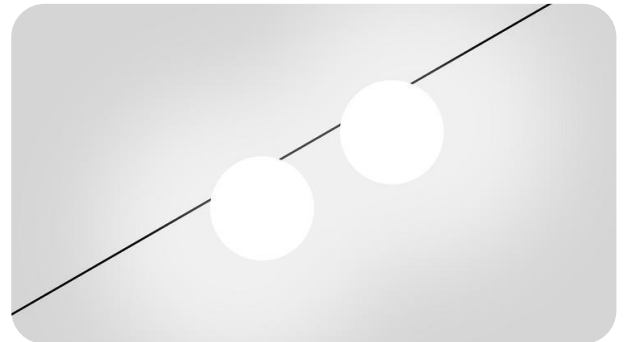
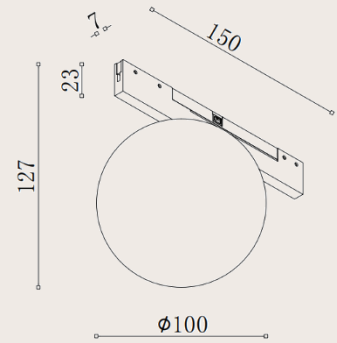
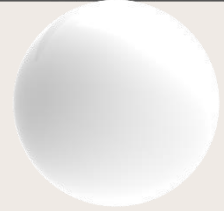
Code	T381
Input Voltage	DC48
Power(Watts)	18W
Lamp holder	Flexible Lamp Belt
Light Source	CREE CXB1512
Beam Angle	30°
Color Temperature	3000K
CRI ≥	90
IP level	IP20
Main Material	Aluminum
Wire connection way	Terminal block
Class	<input type="checkbox"/> I <input type="checkbox"/> II <input checked="" type="checkbox"/> III
Certificates	CE , ROHS



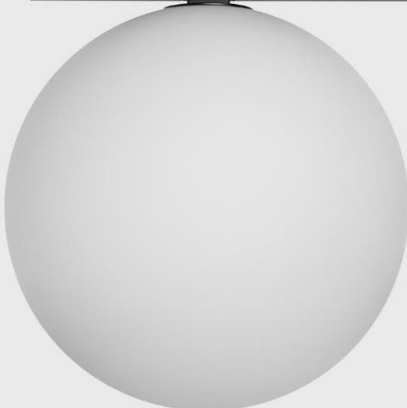
Code	T341
Input Voltage	DC48
Power(Watts)	7W
Lumen	583lm
Lamp holder	Aluminum PCB
Light Source	CREE CXAI304
Beam Angle	38°
Color Temperature	3000K
CRI ≥	90
IP level	IP20
Main Material	Aluminum
Wire connection way	Terminal block
Class	<input type="checkbox"/> I <input type="checkbox"/> II <input checked="" type="checkbox"/> III
Certificates	CE . ROHS



Code	T343
Input Voltage	DC48
Power(Watts)	4W
Lumen	247lm
Lamp holder	Flexible Lamp Belt
Light Source	Bridgelux 2835
Beam Angle	220°
Color Temperature	3000K
CRI ≥	80
IP level	IP20
Main Material	Aluminum
Wire connection way	Terminal block
Class	<input type="checkbox"/> I <input type="checkbox"/> II <input checked="" type="checkbox"/> III
Certificates	CE . ROHS



Micro Track Light

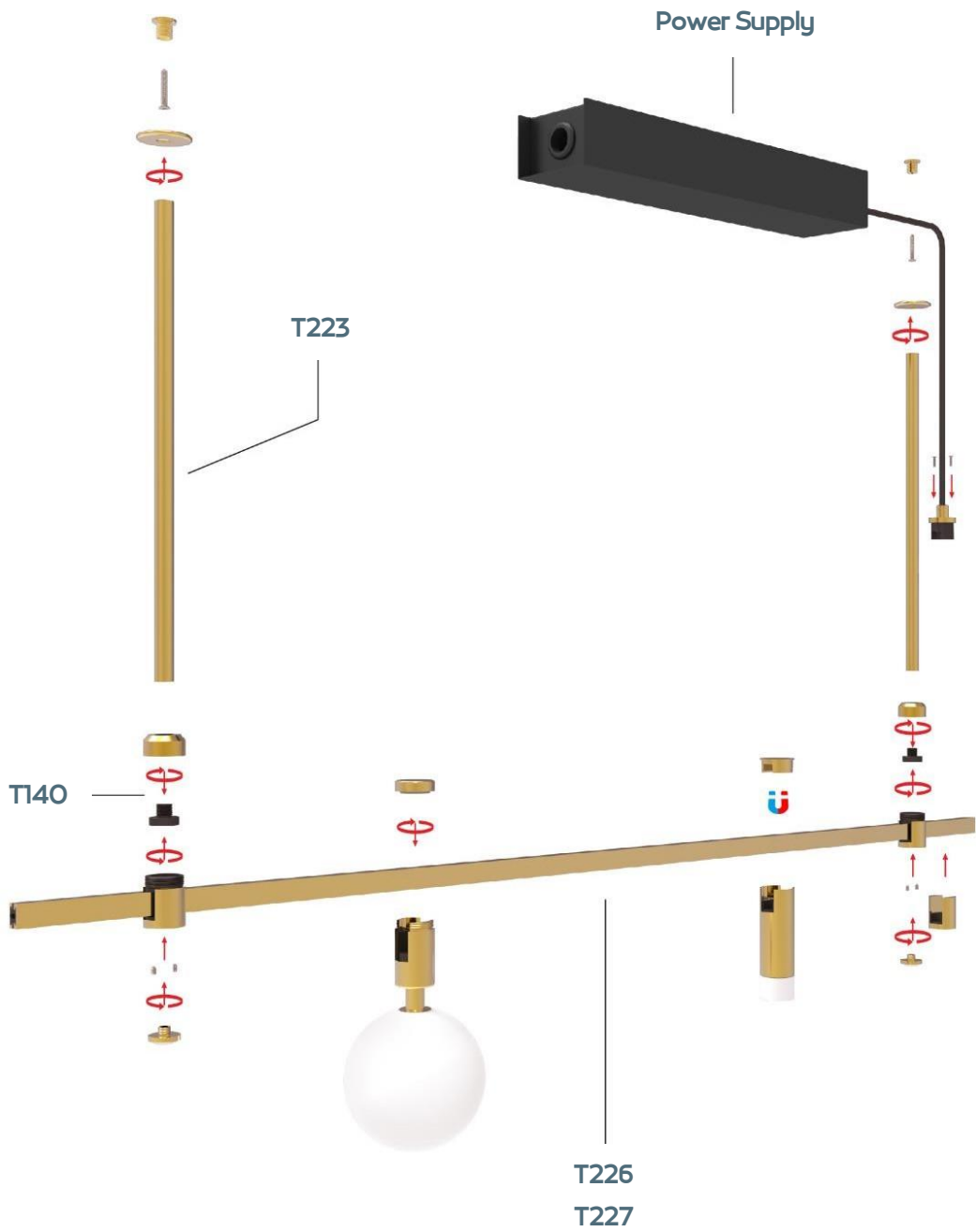




Brass Multi Track Light



Installation Exploded View



Description of Accessories

Profile ▶



Track

Length	Code No.
2000mm	T226
3000mm	T227



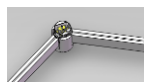
Round Track

Diameter	Code No.
1800mm	T138

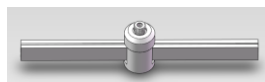
Installation Accessories ▶



T230 - 90°



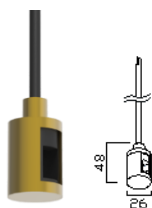
T231 - 120°



T229 - 180°



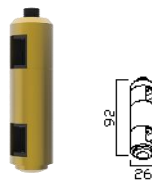
T228 (end cap)



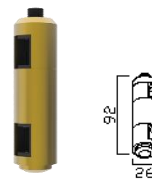
T139



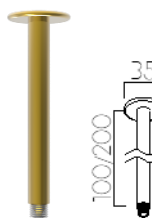
T140



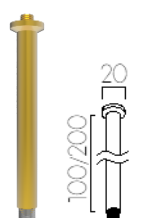
T141 (With Electricity)



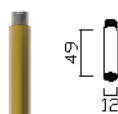
T142



T220 / T221

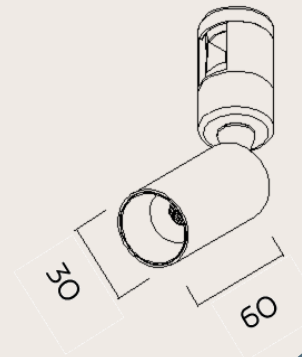


T223



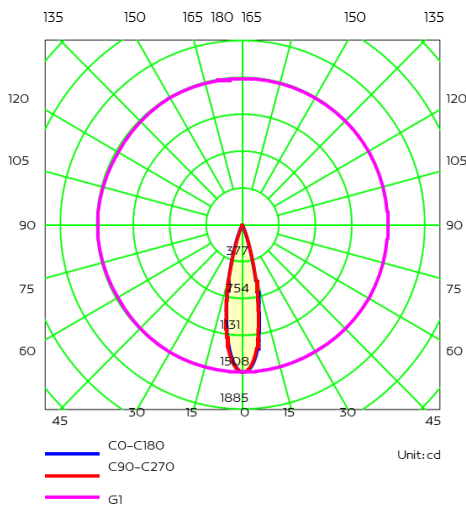
T224

Code	T147
Input Voltage	DC42 100MA
Power(Watts)	4W
Lumen	306.8lm
Lamp holder	Ceramic PCB
Light Source	Bridgelux V4 HD
Beam Angle	24°
Color Temperature	3000K
CRI ≥	80
IP level	IP20
Main Material	Brass
Wire connection way	Track Adaptor
Class	<input type="checkbox"/> I <input type="checkbox"/> II <input checked="" type="checkbox"/> III
Certificates	CE . ROHS
Dimmable	Optional

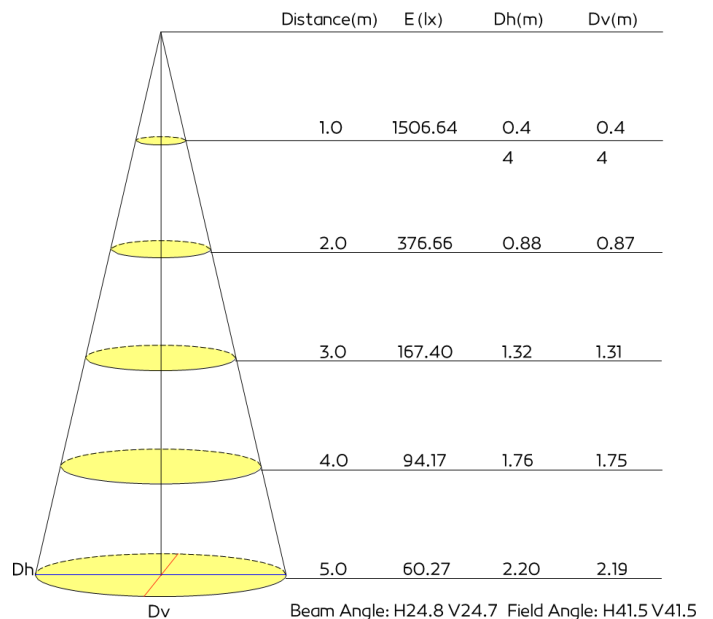


Optic Data

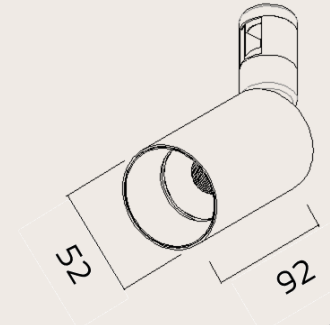
Luminous Intensity Distribution Curve



AAI Figure

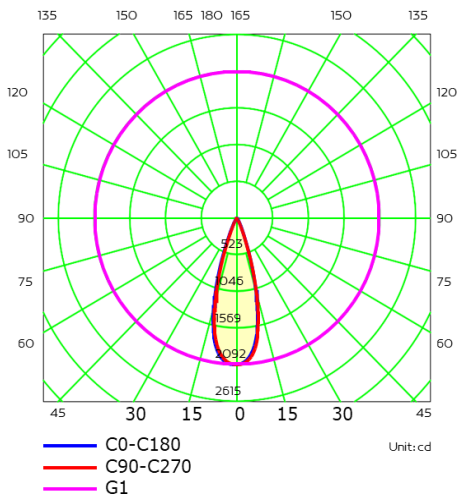


Code	T148
Input Voltage	DC42 215MA
Power(Watts)	9W
Lumen	620.8lm
Lamp holder	Ceramic PCB
Light Source	Bridgelux V6 HD
Beam Angle	30°
Color Temperature	3000K
CRI ≥	80
IP level	IP20
Main Material	Brass
Wire connection way	Track Adaptor
Class	<input type="checkbox"/> I <input type="checkbox"/> II <input checked="" type="checkbox"/> III
Certificates	CE . ROHS
Dimmable	Optional

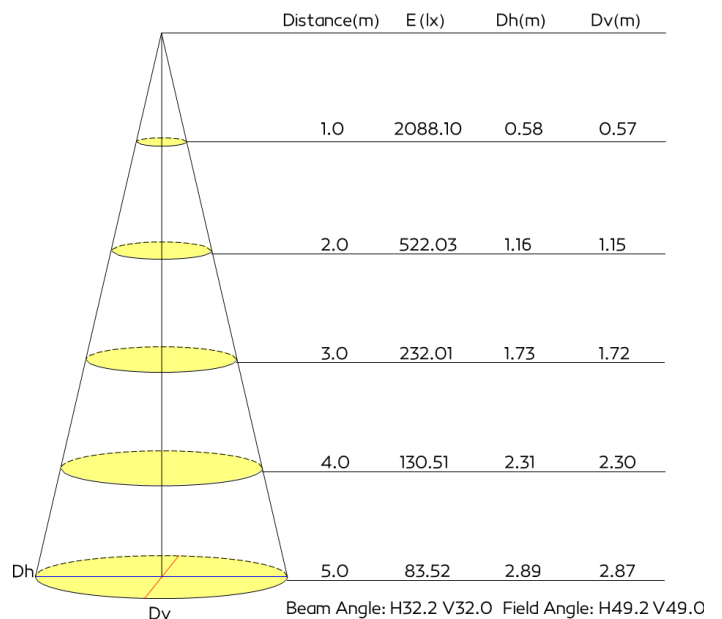


Optic Data

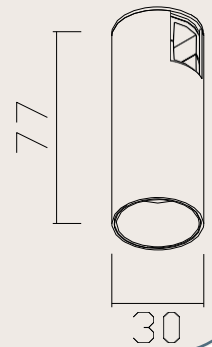
Luminous Intensity Distribution Curve



AAI Figure

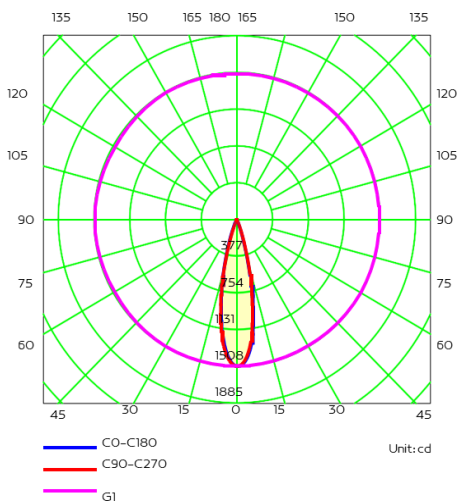


Code	T152
Input Voltage	DC42 100MA
Power(Watts)	4W
Lumen	297.8lm
Lamp holder	Ceramic PCB
Light Source	Bridgelux V4 HD
Beam Angle	24°
Color Temperature	3000K
CRI ≥	80
IP level	IP20
Main Material	Brass
Wire connection way	Track Adaptor
Class	<input type="checkbox"/> I <input type="checkbox"/> II <input checked="" type="checkbox"/> III
Certificates	CE . ROHS
Dimmable	Optional

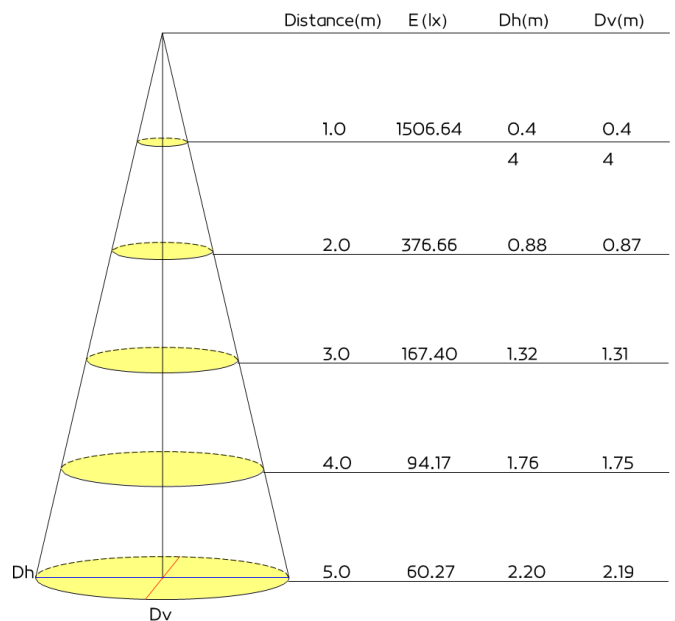


Optic Data

Luminous Intensity Distribution Curve

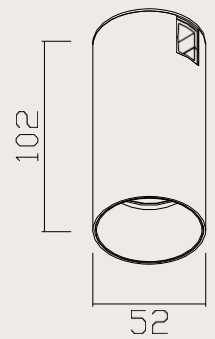


AAI Figure



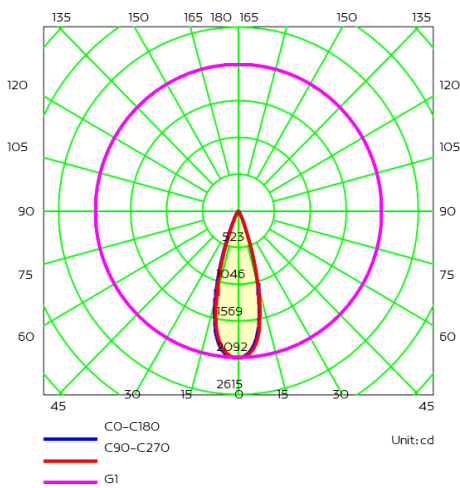
Beam Angle: H24.8 V24.7 Field Angle: H41.5 V41.5

Code	T153
Input Voltage	DC42 215MA
Power(Watts)	9W
Lumen	620.8lm
Lamp holder	Ceramic PCB
Light Source	Bridgelux V6 HD
Beam Angle	30°
Color Temperature	3000K
CRI ≥	80
IP level	IP20
Main Material	Brass
Wire connection way	Track Adaptor
Class	<input type="checkbox"/> I <input type="checkbox"/> II <input checked="" type="checkbox"/> III
Certificates	CE . ROHS
Dimmable	Optional

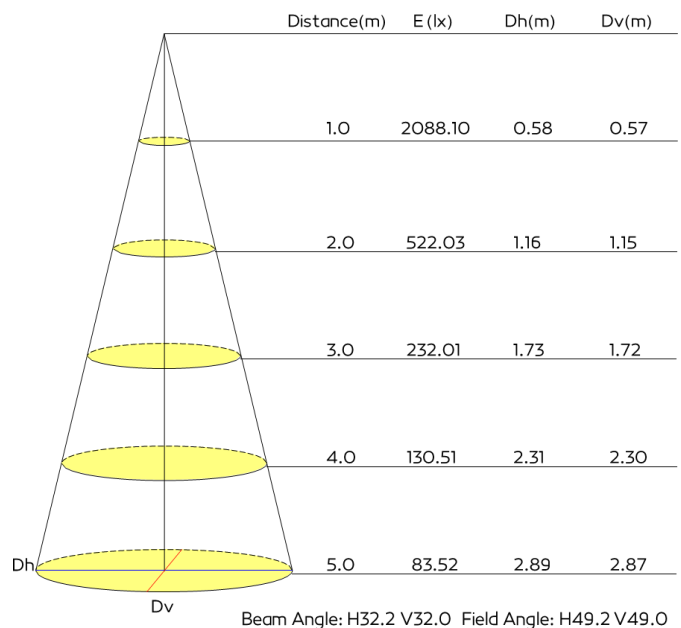


Optic Data

Luminous Intensity Distribution Curve



AAI Figure

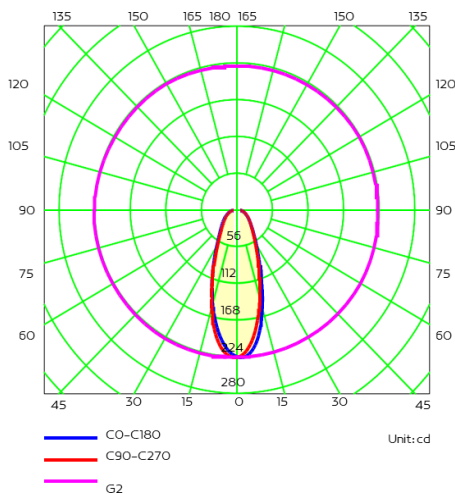


Code	T270
Input Voltage	DC42 100MA
Power(Watts)	4W
Lumen	211.7lm
Lamp holder	Ceramic PCB
Light Source	Bridgelux V4 HD
Beam Angle	40°
Color Temperature	3000K
CRI ≥	80
IP level	IP20
Main Material	Brass
Wire connection way	Track Adaptor
Class	<input type="checkbox"/> I <input type="checkbox"/> II <input checked="" type="checkbox"/> III
Certificates	CE . ROHS
Dimmable	Optional

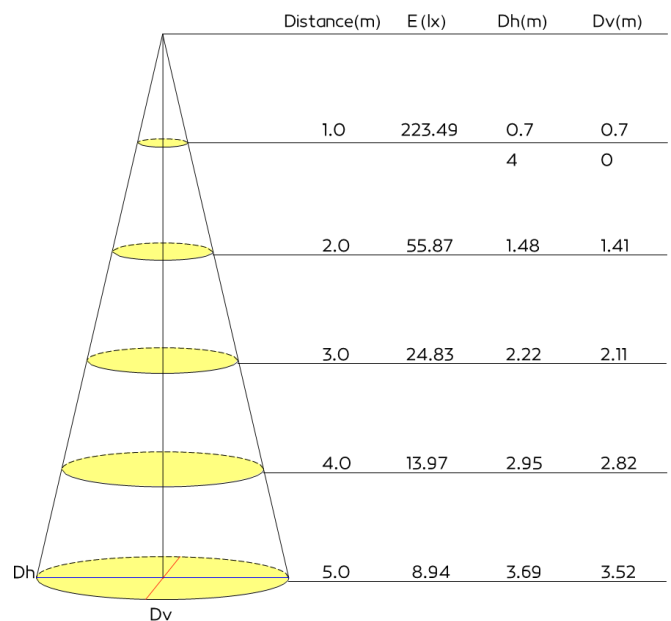


Optic Data

Luminous Intensity Distribution Curve

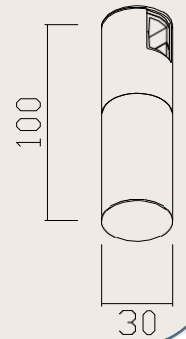


AAI Figure



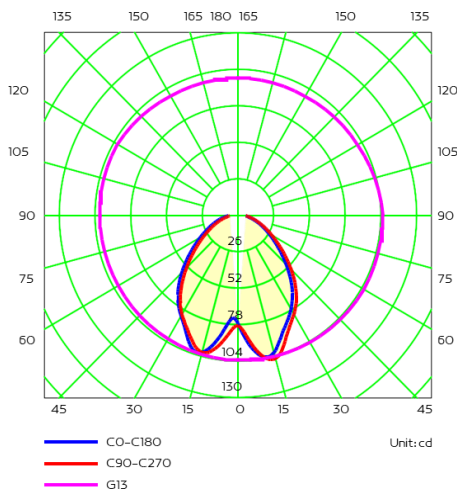
Beam Angle: H40.5 V38.8 Field Angle: H113.6 V111.2

Code	T271
Input Voltage	DC42 96MA
Power(Watts)	4W
Lumen	244lm
Lamp holder	Ceramic PCB
Light Source	Bridgelux C6
Beam Angle	90°
Color Temperature	3000K
CRI ≥	80
IP level	IP20
Main Material	Brass
Wire connection way	Track Adaptor
Class	<input type="checkbox"/> I <input type="checkbox"/> II <input checked="" type="checkbox"/> III
Certificates	CE . ROHS
Dimmable	Optional

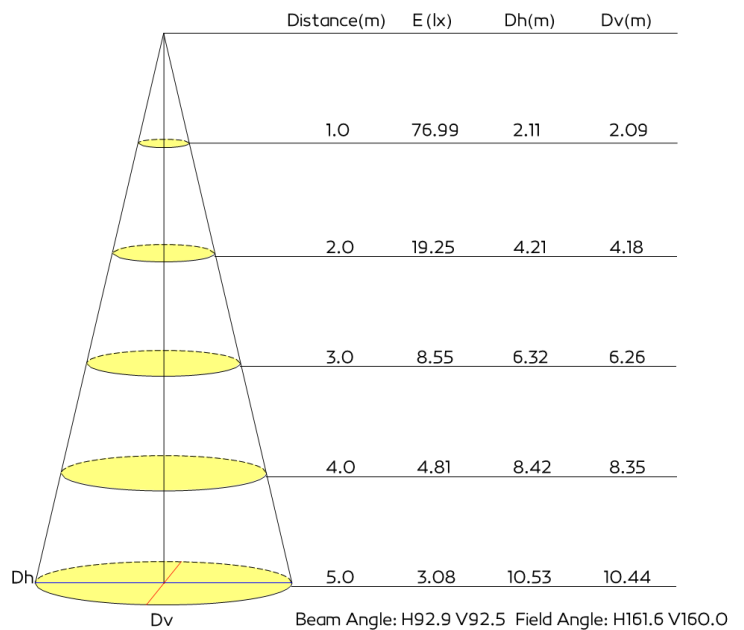


Optic Data

Luminous Intensity Distribution Curve



AAI Figure

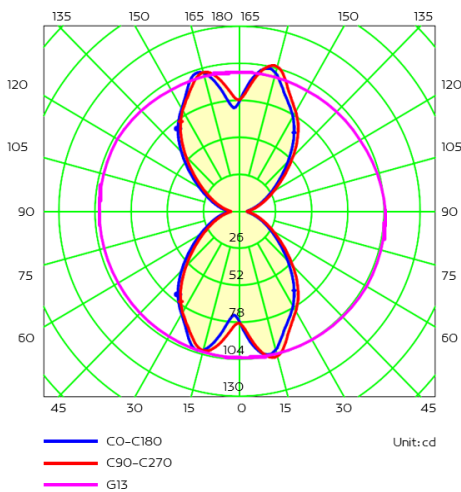


Code	T272
Input Voltage	DC42 96MA
Power(Watts)	2x4W (8W)
Lumen	488lm
Lamp holder	Ceramic PCB
Light Source	Bridgelux C6
Beam Angle	360°
Color Temperature	3000K
CRI ≥	80
IP level	IP20
Main Material	Brass
Wire connection way	Track Adaptor
Class	<input type="checkbox"/> I <input type="checkbox"/> II <input checked="" type="checkbox"/> III
Certificates	CE . ROHS
Dimmable	Optional

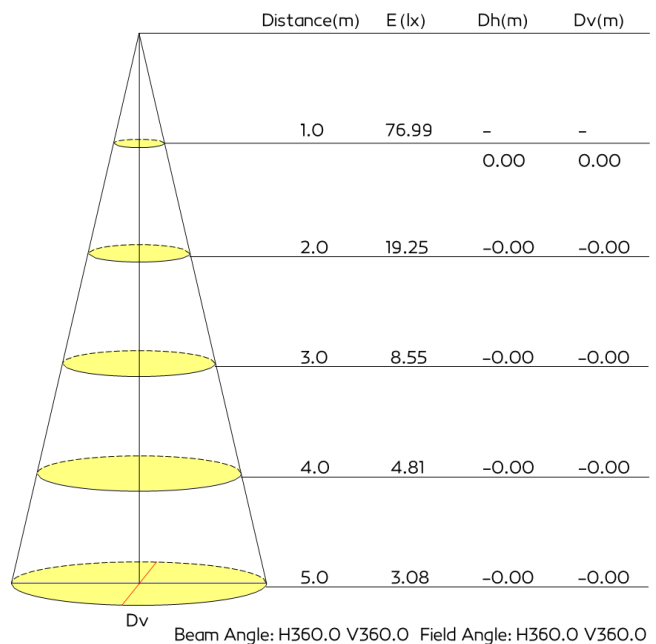


Optic Data

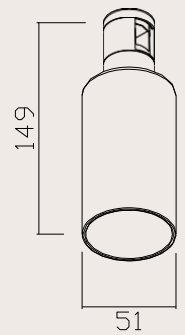
Luminous Intensity Distribution Curve



AAI Figure

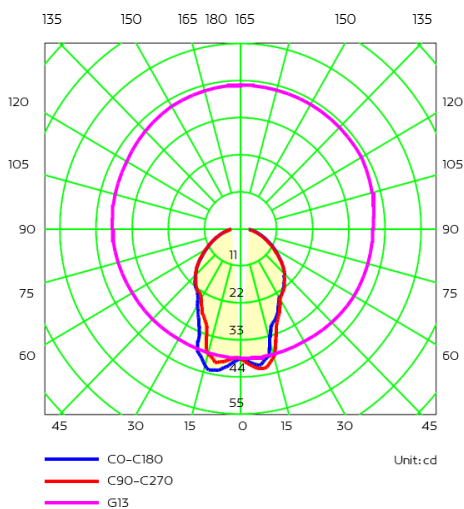


Code	T269
Input Voltage	DC42 96MA
Power(Watts)	3W
Lumen	90lm
Lamp holder	Aluminum PCB
Light Source	CREE 3030
Beam Angle	80°
Color Temperature	3000K
CRI ≥	80
IP level	IP20
Main Material	Brass
Wire connection way	Track Adaptor
Class	<input type="checkbox"/> I <input type="checkbox"/> II <input checked="" type="checkbox"/> III
Certificates	CE . ROHS
Dimmable	Optional

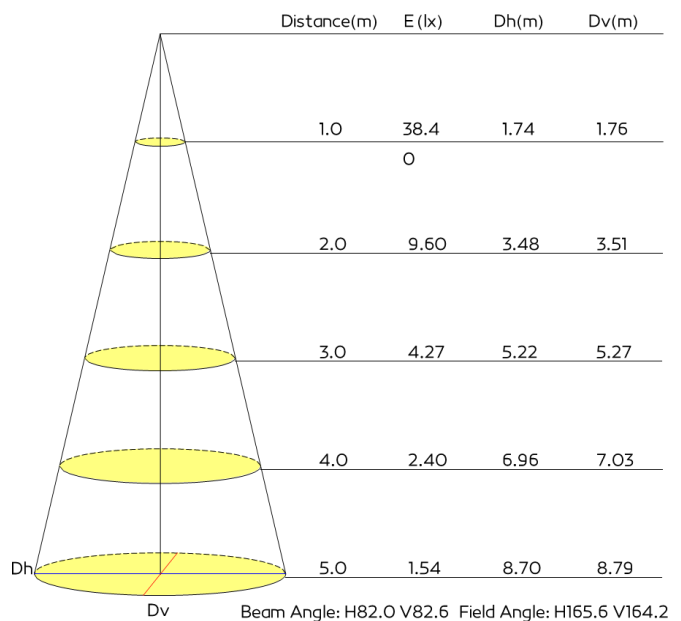


Optic Data

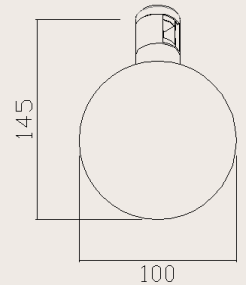
Luminous Intensity Distribution Curve



AAI Figure

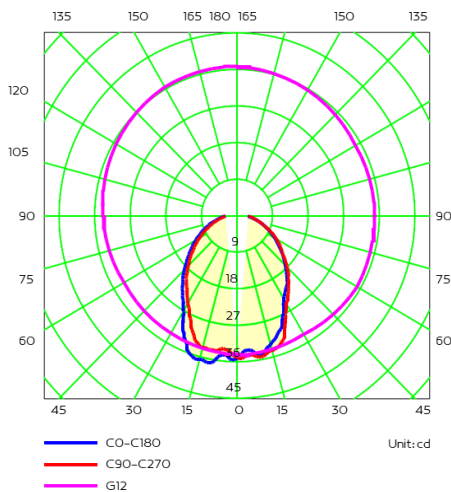


Code	T149
Input Voltage	DC42 96MA
Power(Watts)	3W
Lumen	86.7lm
Lamp holder	Aluminum PCB
Light Source	CREE 3030
Beam Angle	90°
Color Temperature	3000K
CRI ≥	80
IP level	IP20
Main Material	Brass
Wire connection way	Track Adaptor
Class	<input type="checkbox"/> I <input type="checkbox"/> II <input checked="" type="checkbox"/> III
Certificates	CE . ROHS
Dimmable	Optional

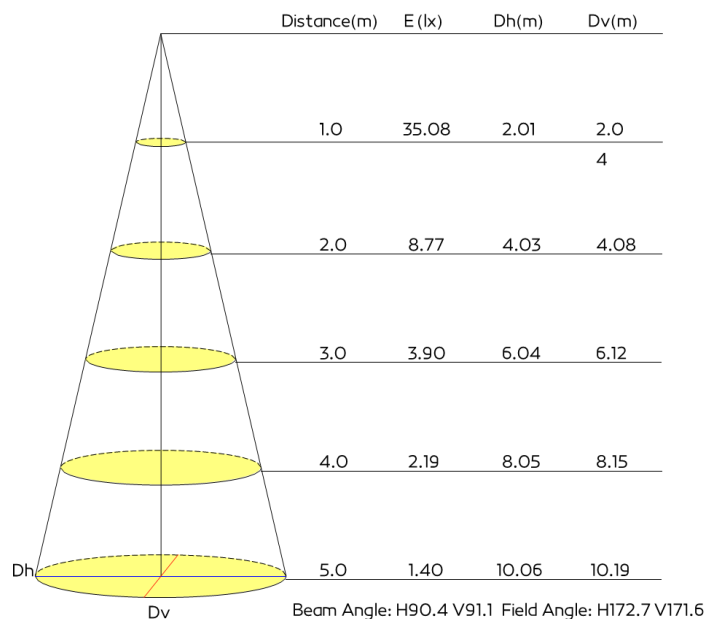


Optic Data

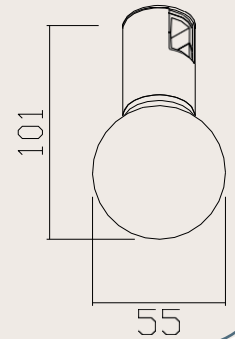
Luminous Intensity Distribution Curve



AAI Figure

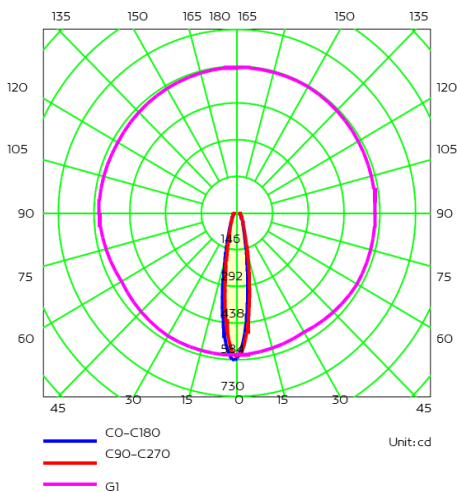


Code	T151
Input Voltage	DC42 96MA
Power(Watts)	4W
Lumen	232.9lm
Lamp holder	Ceramic PCB
Light Source	Bridgelux C6
Beam Angle	20°
Color Temperature	3000K
CRI ≥	80
IP level	IP20
Main Material	Brass
Wire connection way	Track Adaptor
Class	<input type="checkbox"/> I <input type="checkbox"/> II <input checked="" type="checkbox"/> III
Certificates	CE . ROHS
Dimmable	Optional

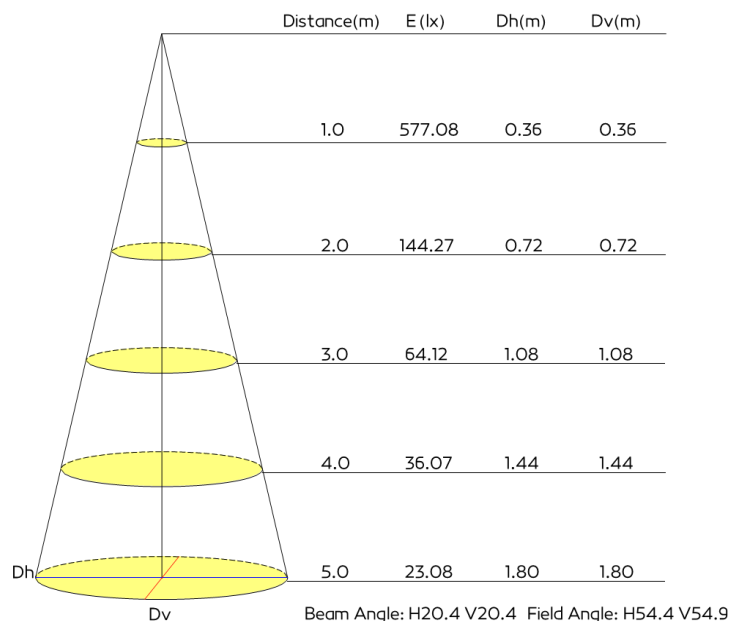


Optic Data

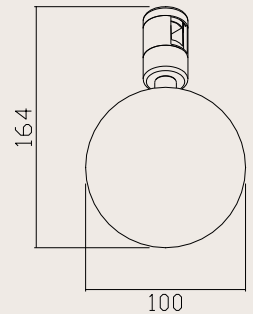
Luminous Intensity Distribution Curve



AAI Figure

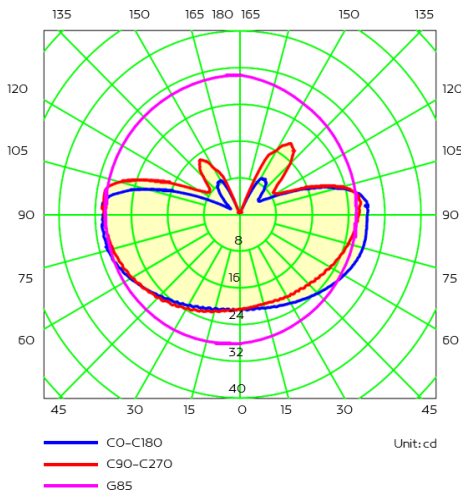


Code	T150
Input Voltage	DC42 110MA
Power(Watts)	4W
Lumen	251.8lm
Lamp holder	Ceramic PCB
Light Source	Bridgelux 2835
Beam Angle	220°
Color Temperature	3000K
CRI ≥	80
IP level	IP20
Main Material	Brass
Wire connection way	Track Adaptor
Class	<input type="checkbox"/> I <input type="checkbox"/> II <input checked="" type="checkbox"/> III
Certificates	CE . ROHS
Dimmable	Optional

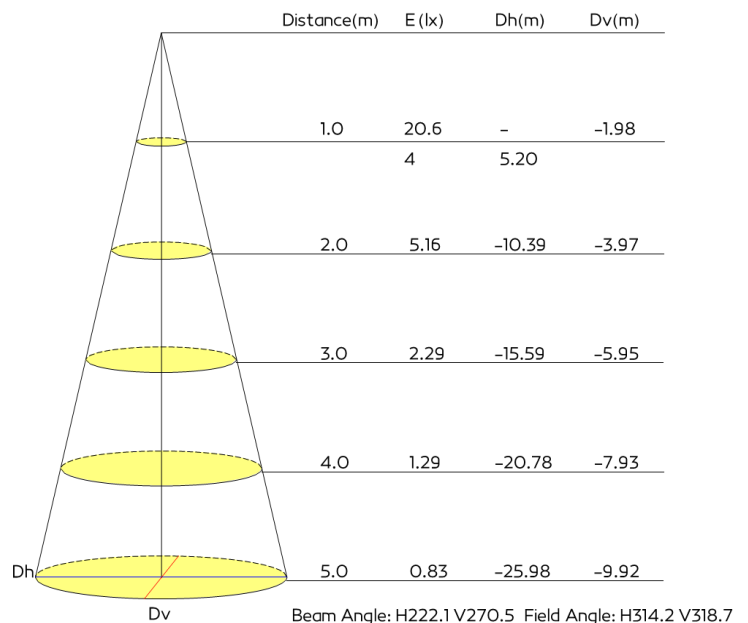


Optic Data

Luminous Intensity Distribution Curve

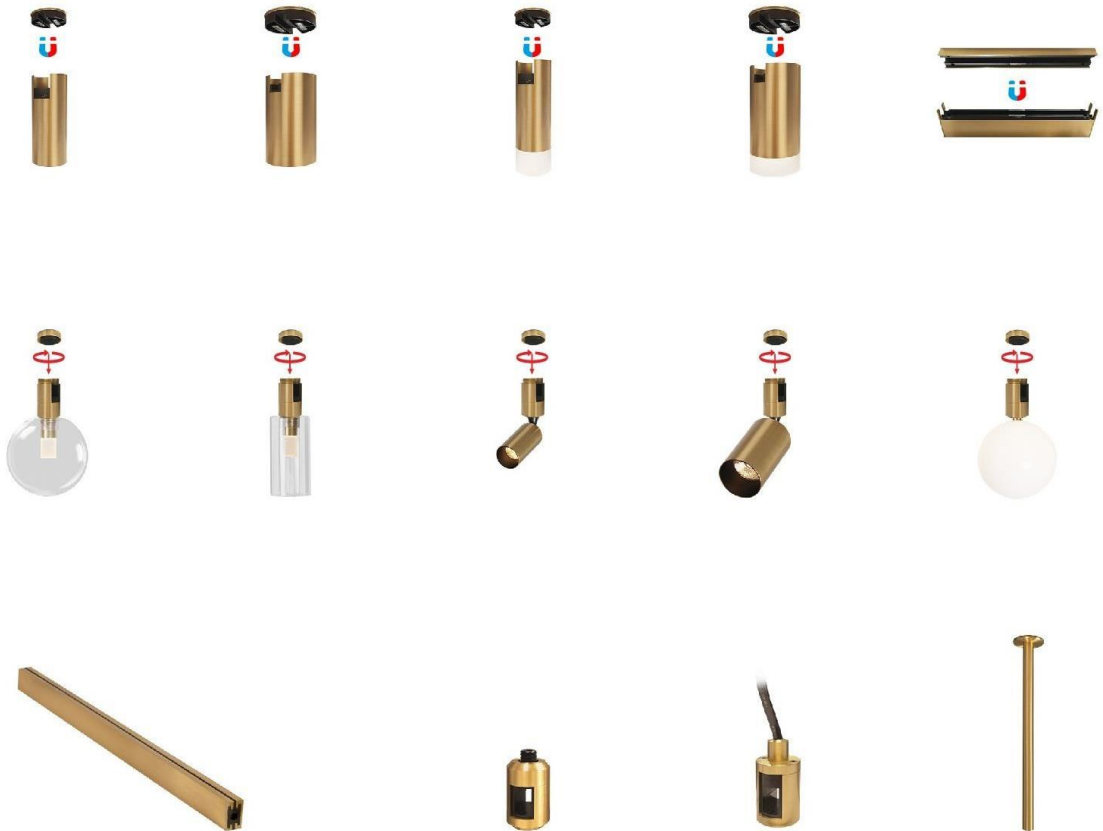


AAI Figure





Installation exploded view



Brass Multi Track Light

Installation exploded view





Brass – Residential Project



Brass – Residential Project

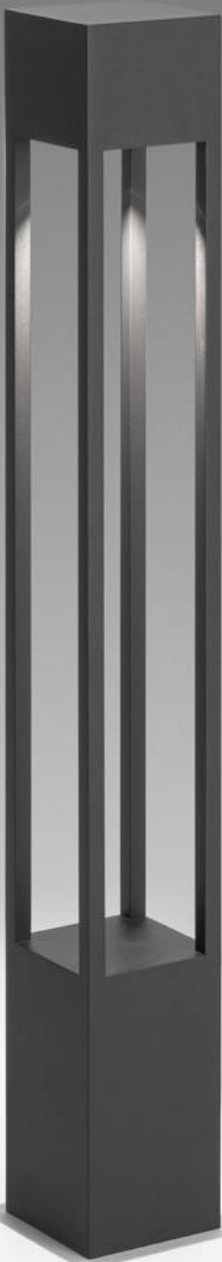


Brass – Residential Project





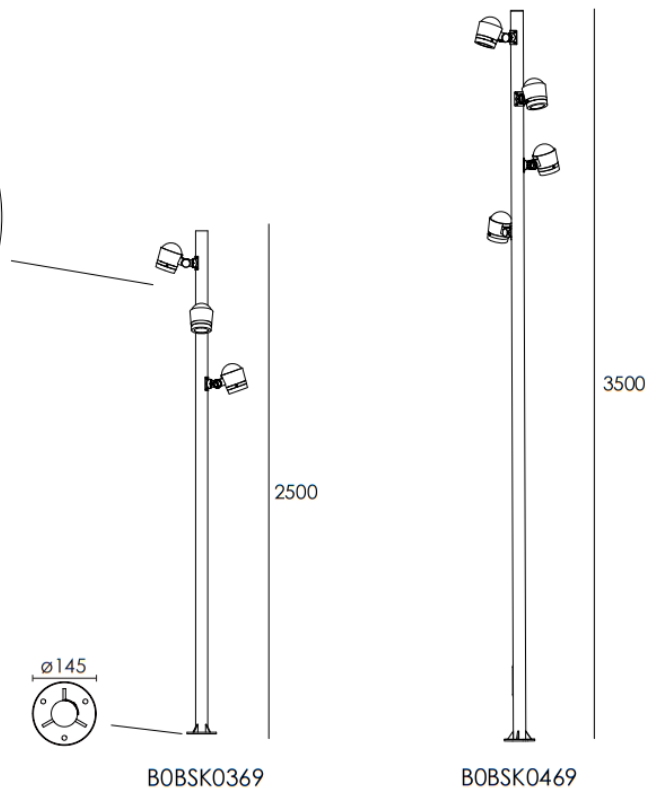
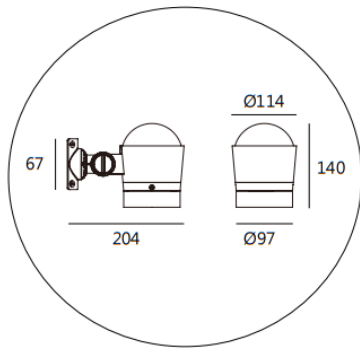
Brass – Commercial Project



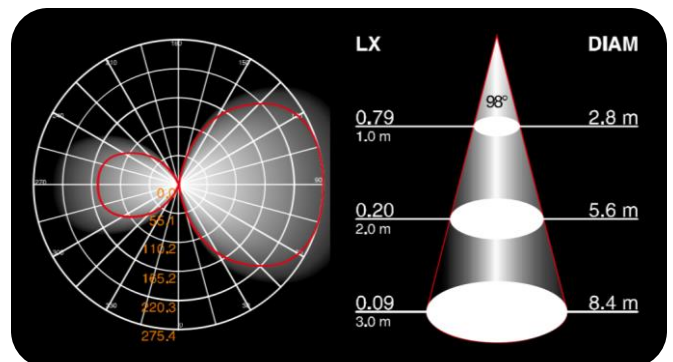
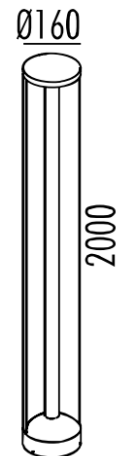
Bollard Light



Code	BOBSKCO369 / BOBSKCO469
Consumption(W)	60W / 80W
Light source	3x18W Nichia / 4x18W Nichia
Color Temperature	3000K
Lumen	3033 / 5372
Beam Angle	30° / 20°
IP rating	66
IK rating	07
Input Voltage	240 VAC
Main Material	Die-Cast Aluminum
Body color	Black



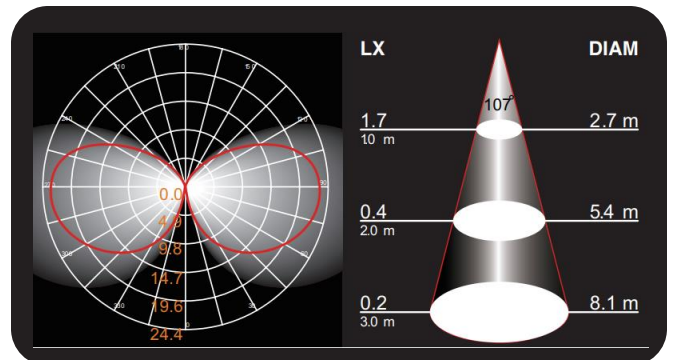
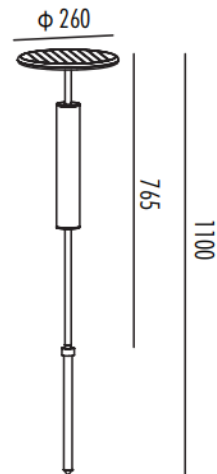
Code	H207
Power (Watts)	56x0.8W (45W)
Color Temperature	3000K
Lumen	1650lm
Beam Angle	98°
CRI ≥	83
IP Level	65
Input Voltage	220-240V
Main Material	Die-Cast Aluminum
Body Color	Dark Gray



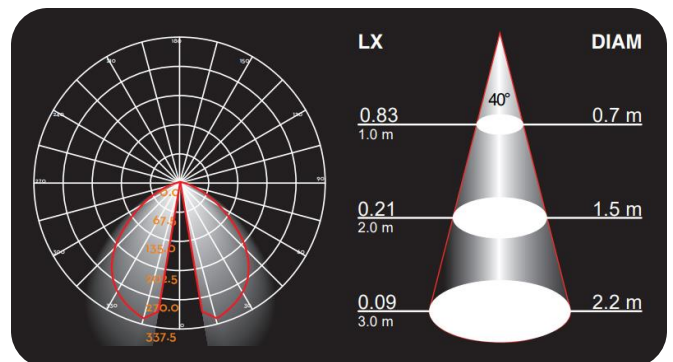
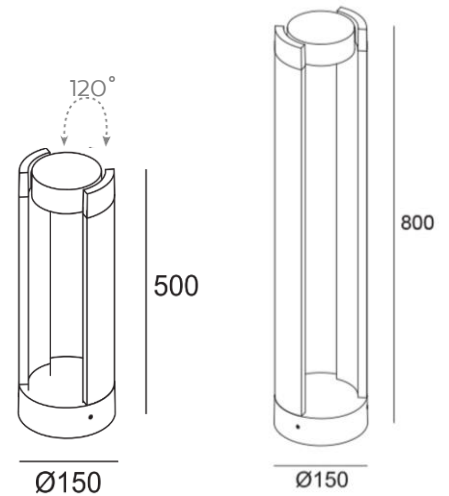
Code	H208
Power (Watts)	3.3W (2W Solar Panel)
Color Temperature	3000K
Lumen	243lm
Beam Angle	107°
Body Material	Die-Cast Aluminum
IP Level	54
CRI \geq	80
Work Time \geq	10h
Charge Time	11h (sunshine)
Battery	3x1800mAh Lithium Battery



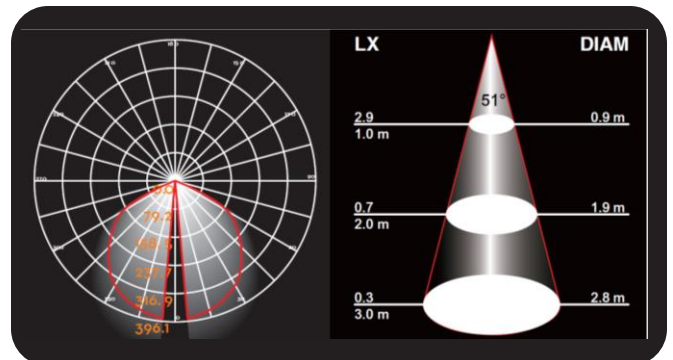
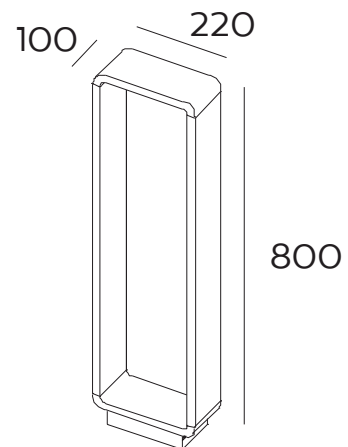
Daylight sensor lux < 50
Automatically light up at night



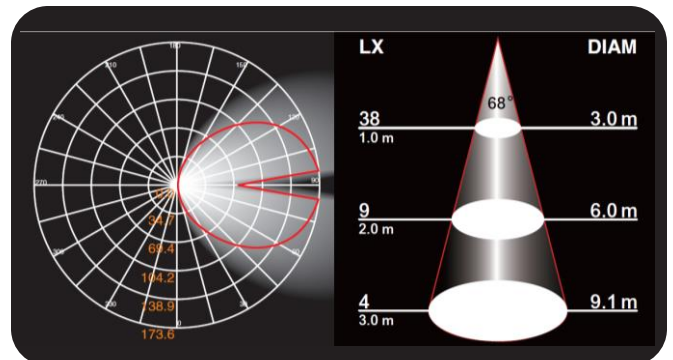
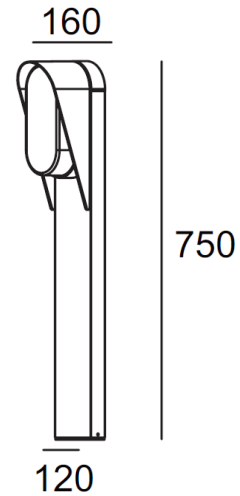
Code	H201 (800mm) / H202 (500mm)
Power (Watts)	10W / 7W
Color Temperature	3000K
Lumen	705lm / 534lm
Beam Angle	44° / 40°
CRI	80
IP rating	65
Input Voltage	220-240V
Main Material	Die-Cast Aluminum
Body Color	Dark Gray



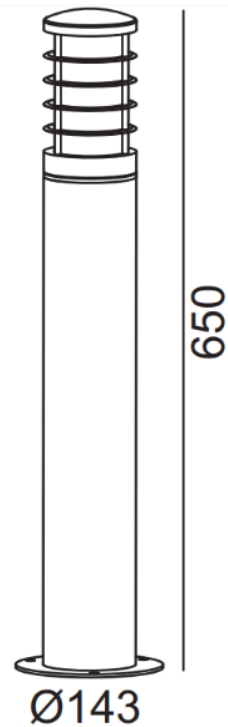
Code	H159
Power (Watts)	10W
Color Temperature	3000K
Lumen	590lm
Beam Angle	51°
CRI_≥	80
IP Level	54
Input Voltage	220-240V
Main Material	Die-Cast Aluminum
Body Color	Dark Gray



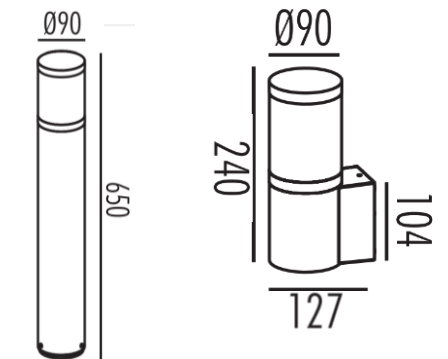
Code	H187
Power (Watts)	15W
Color Temperature	3000K
Lumen	624lm
Beam Angle	68°
CRI \geq	80
IP Level	54
Input Voltage	220-240V
Main Material	Die-Cast Aluminum
Body Color	Dark Gray
Option	Radar Sensor



Code	H129
Base	E27
Maximum Power	20W
IP Level	54
Input Voltage	220-240V
Main Material	Die-Cast Aluminum
Body Color	Dark Gray



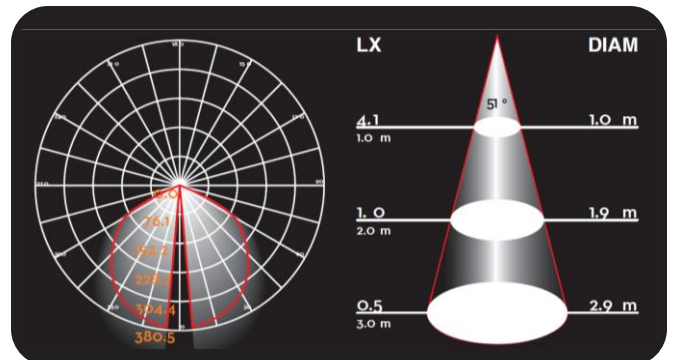
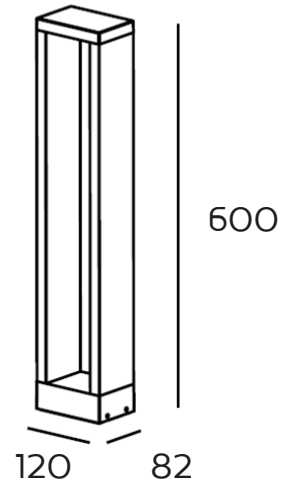
Code	H171 /H 172
Base	E27
Maximum Power	15W
IP rating	54
Input Voltage	220-240V
Main Material	Die-Cast Aluminum
Body Color	Dark Gray



Code	H 195
Power (Watts)	10W SMD
Color Temperature	3000K
Body Material	Die-Cast Aluminum
IP Level	65
CRI \geq	84
CCT Switch	With WiFi
Body Color	Dark Gray



Code	H158
Power (Watts)	10W
Color Temperature	3000K
Lumen	413lm
Beam Angle	52°
CRI_≥	80
IP rating	65
Input Voltage	220-240V
Main Material	Die-Cast Aluminum
Body Color	Dark Gray



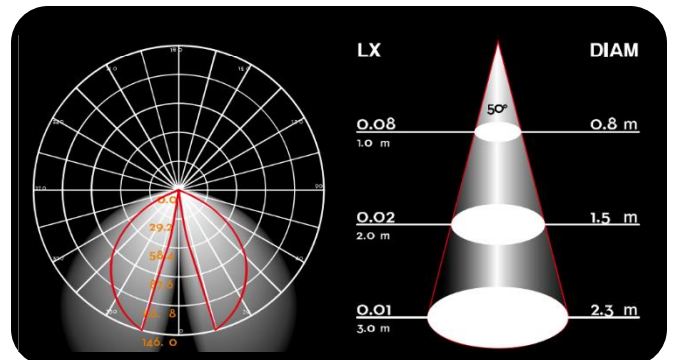
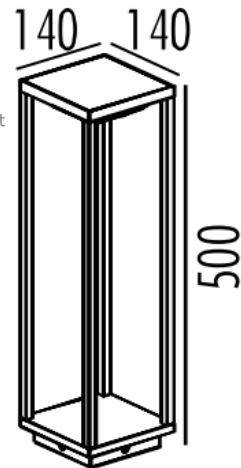
Code	H162
Power (Watts)	0.45W (2W Solar Panel)
Color Temperature	3000K
Lumen	109lm
Beam Angle	50°
Body Material	Die-Cast Aluminum
IP Level	54
CRI ≥	80
Work Time ≥	20–25h (%15 of Light) 2.5–3h (%100 of Light)
Charge Time	6–8h (sunshine)
Battery	1x2200mAh Lithium Battery
Body Color	Dark Gray



Solar Lamp



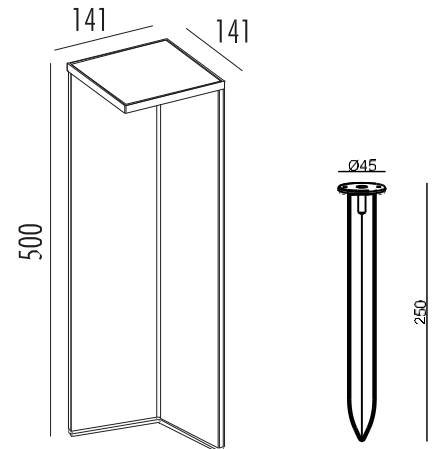
Daylight sensor lux < 20
Automatically light up at night



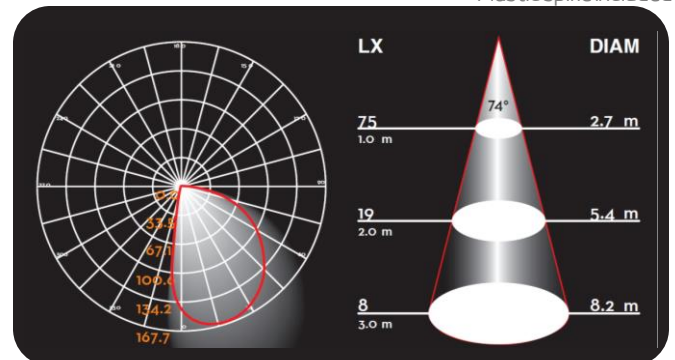
Code	H178
Power (Watts)	2.2W (2W Solar Panel)
Color Temperature	3000K
Lumen	151 lm
Beam Angle	74°
Body Material	Die-Cast Aluminum
IP Level	54
CRI \geq	80
Work Time \geq	20–25h (%15 of Light) 2.5–3h (%100 of Light)
Charge Time	6–8h (sunshine)
Battery	1x2200mAh Lithium Battery
Body Color	Dark Gray



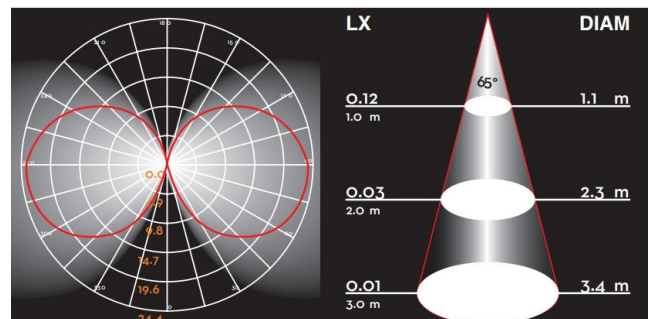
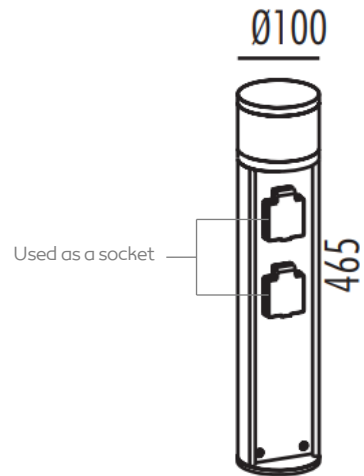
Solar Lamp



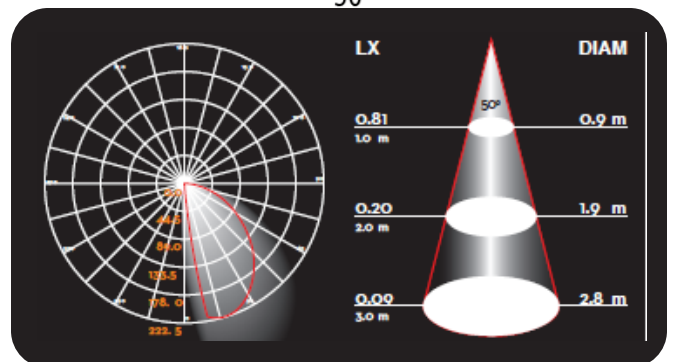
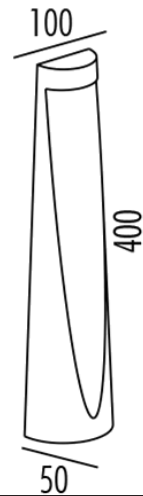
Plastic spike included



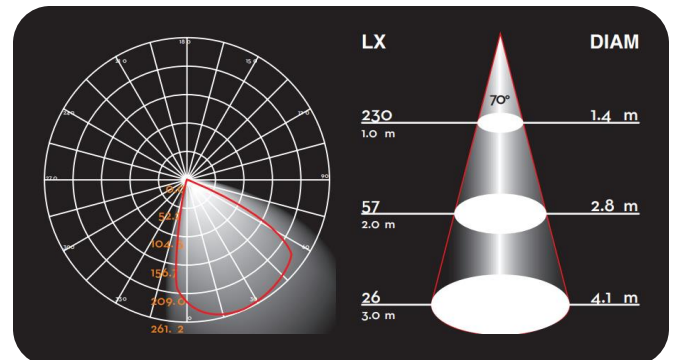
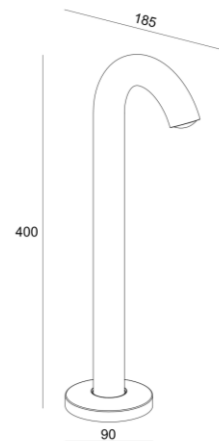
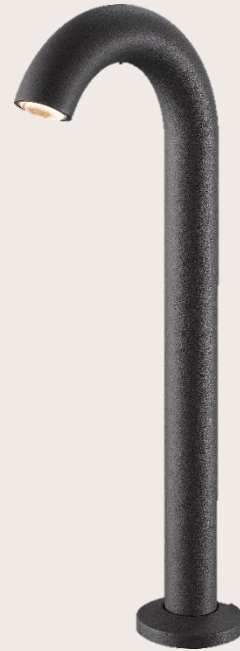
Code	H163
Power (Watts)	3W
Color Temperature	3000K
Lumen	190lm
Beam Angle	65°
CRI_≥	80
IP rating	44
Input Voltage	220-240V
Main Material	Die-Cast Aluminum
Body Color	Dark Gray



Code	H172-1
Power (Watts)	7W
Color Temperature	3000K
Lumen	303lm
Beam Angle	50°
CR_I ≥	80
IP rating	65
Input Voltage	220-240V
Main Material	Die-Cast Aluminum
Body Color	Dark Gray



Code	H144
Power (Watts)	4W
Color Temperature	3000K
Lumen	317lm
Beam Angle	70°
CRI ≥	80
IP rating	65
Main Material	Aluminum
Body Color	Dark Gray



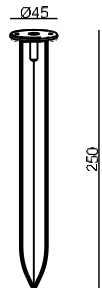
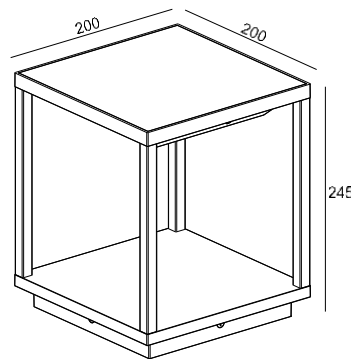


Solar Lamp

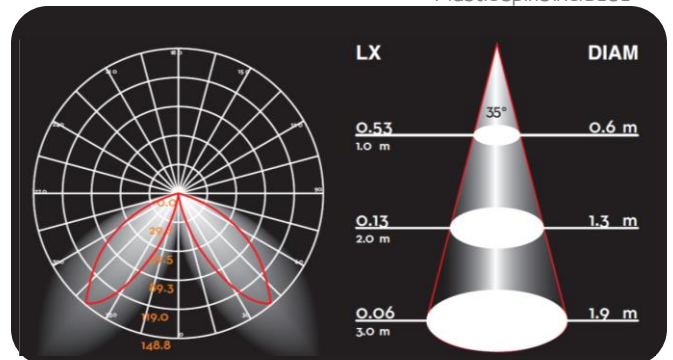
Code	H197
Power (Watts)	0.65W (2W Solar Panel)
Color Temperature	3000K
Lumen	163lm
Beam Angle	35°
Body Material	Die-Cast Aluminum
IP Level	54
CRI \geq	80
Work Time \geq	12h
Charge Time	5-7h (sunshine)
Battery	2x2200mAh Lithium Battery
Body Color	Dark Gray



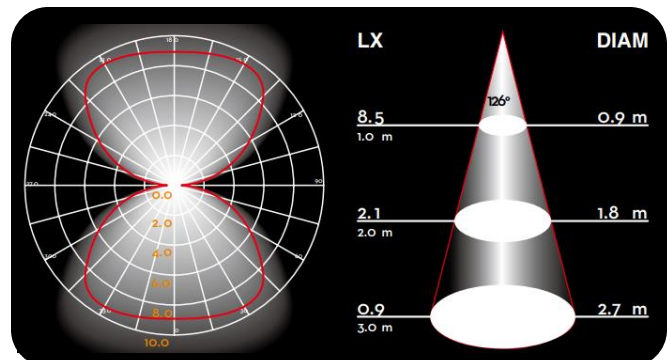
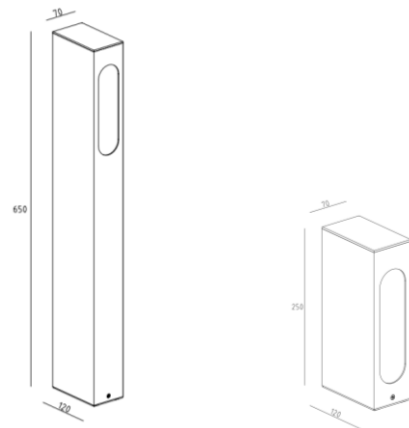
☀ Daylight sensor lux < 50
Automatically light up at night



Plastic spike included



Code	H217 (650) / H174 (250)
Power (Watts)	7W
Color Temperature	3000K
Lumen	159lm
Beam Angle	36°
CRI_≥	80
IP rating	54
Input Voltage	220-240V
Main Material	Die-Cast Aluminum
Body Color	Dark Gray

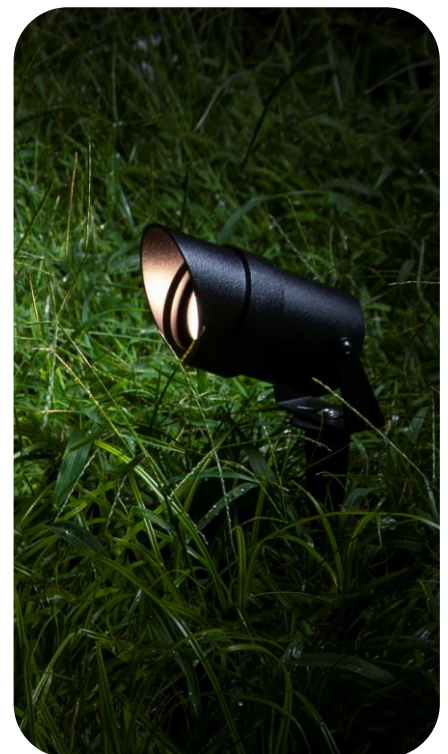
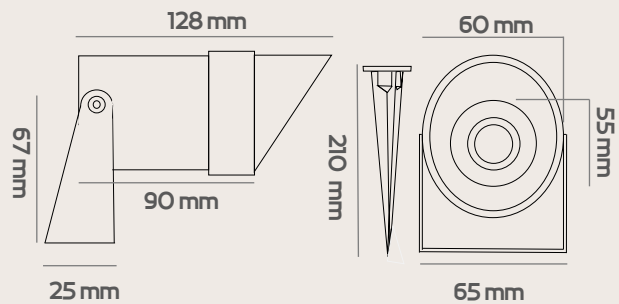




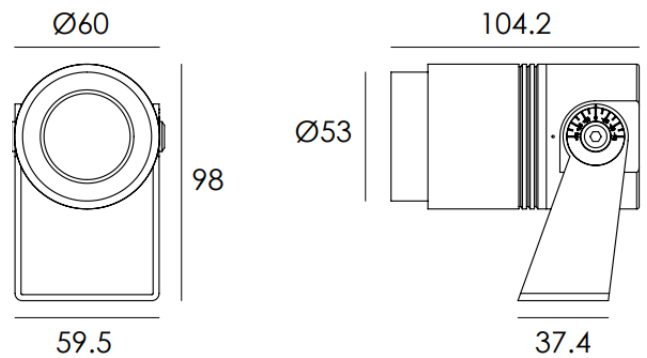
Spike Light



Code	N1010
Power (Watts)	6W
Color Temperature	3000K
Lumen	600lm
Beam Angle	35°
CRI\geq	80
IP Level	65
Light Source	GU10
Input Voltage	220-240V
Main Material	Aluminum
Body Color	Black / White



Code	B3ADX0127
Consumption(W)	10W
Light source	1 × 8W Nichia
Color Temperature	3000K
Lumen	695
Beam Angle	24°
IP rating	66
IK rating	06
Input Voltage	220-240V
Main Material	Die-Cast Aluminum
Body Color	Dark gray



HOOD



40



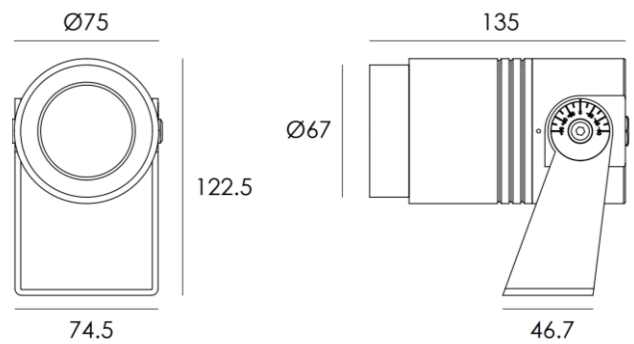
HONEYCOMB LOUVER



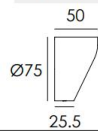
Ø36.8



Code	B3AEX0169
Consumption(W)	16.6W
Light source	1 × 14W Nichia
Color Temperature	3000K
Lumen	1374
Beam Angle	25°
IP rating	66
IK rating	06
Input Voltage	220–240V
Main Material	Die-Cast Aluminum
Body Color	Dark gray

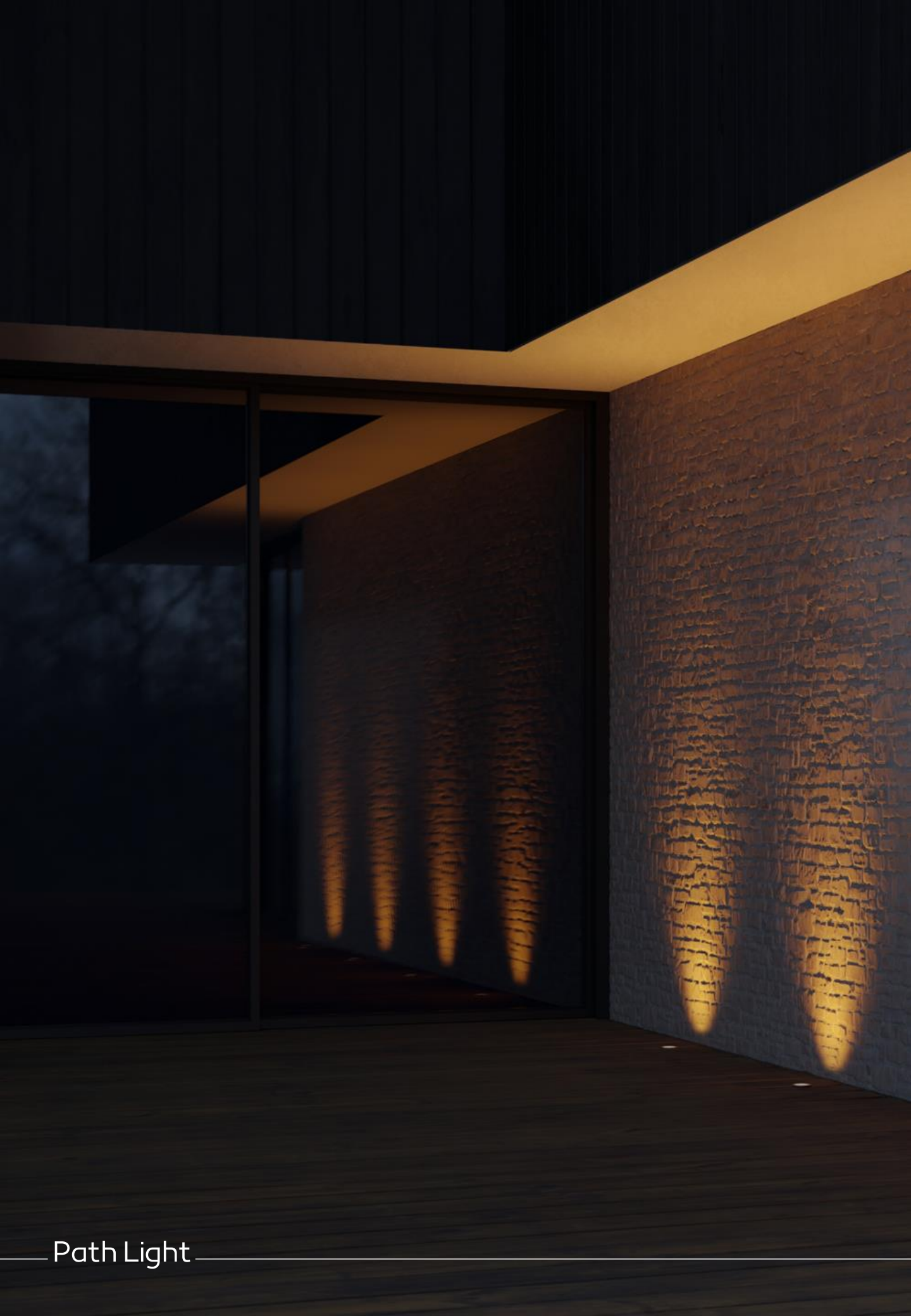


HOOD



HONEYCOMB LOUVER

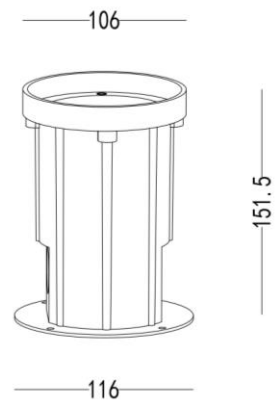
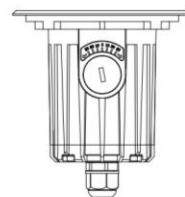
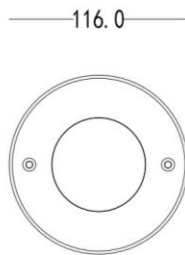
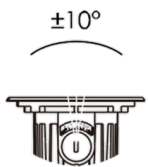




Path Light



Code	XB2DFR0158
Consumption(W)	5.4W
Light source	1×3W Nichia
Color Temperature	3000K
Lumen	178lm
Beam Angle	30°
IP rating	67
IK rating	09
Input Voltage	220–240V
Housing	Die-casting aluminum powder coated
Front cover	Hard chrome-plated stainless steel SUS 316L #
Light window	Tempered glass.T=8mm



HONEYCOMB LOUVER

XB2DFR0158

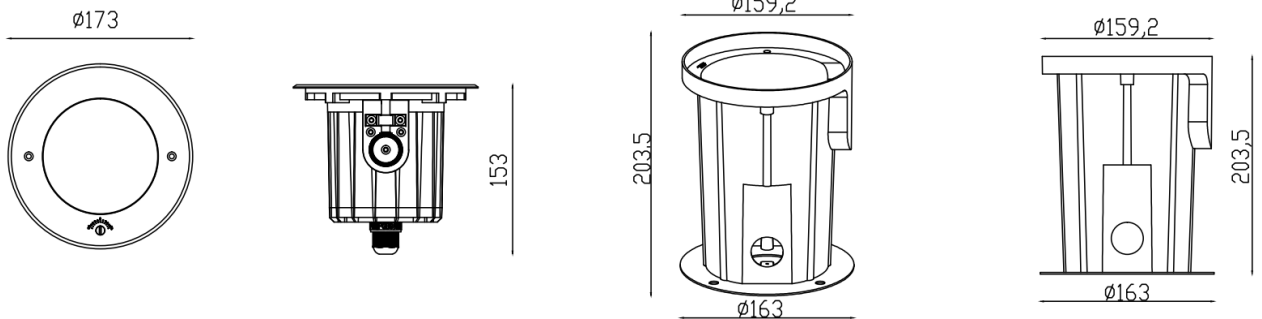


Louver **Mh001**



- Optional Accessory Honeycomb Louver.
- The measured luminous flux data does not contain the honeycomb, and the data containing is reduced 20 to 30%.

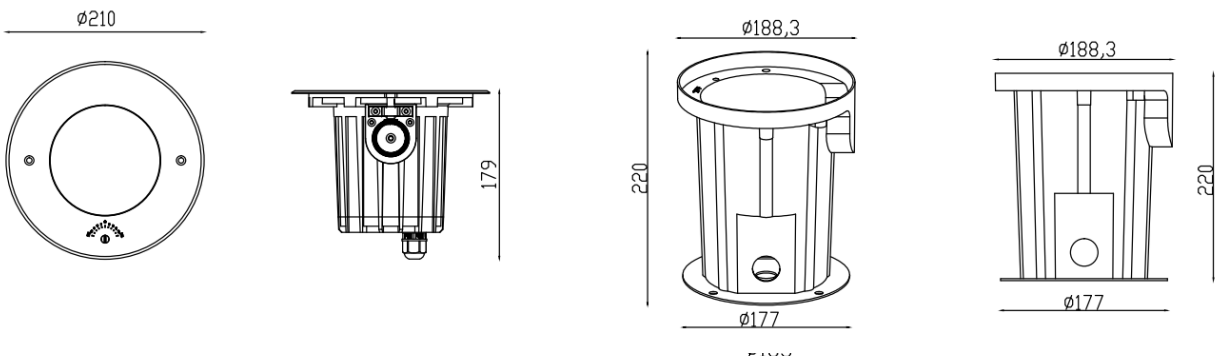
Code	XB2DGRO656
Consumption(W)	10.5W
Light source	6 × 1.2W Osram
Color Temperature	3000K
Lumen	589lm
Beam Angle	20°
IP rating	67
IK rating	09
Input Voltage	220–240V
Housing	Die-casting aluminum powder coated
Front cover	Hard chrome-plated stainless steel SUS 316L #
Light window	Tempered glass.T=8mm



Angle adjustable



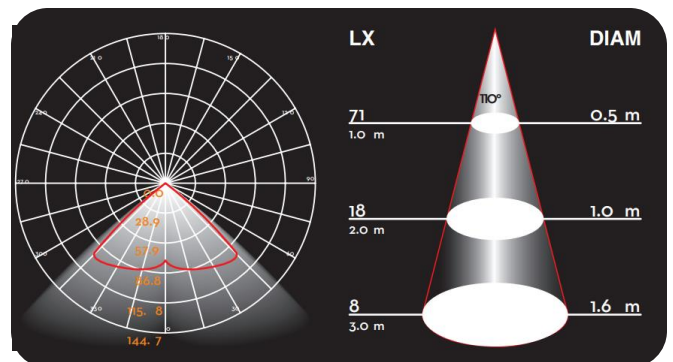
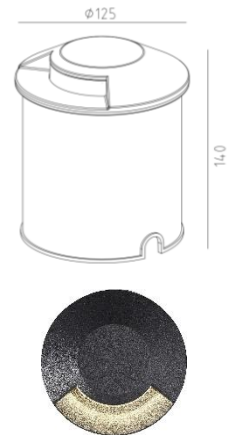
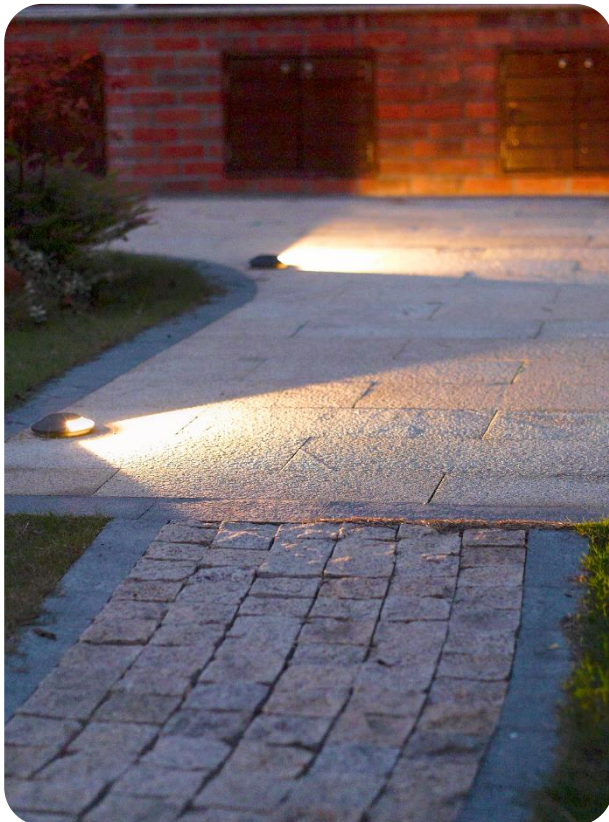
Code	XB2DGR0956
Consumption(W)	13.2W
Light source	9 × 1.2W Osram
Color Temperature	3000K
Lumen	789lm
Beam Angle	20°
IP rating	67
IK rating	09
Input Voltage	220–240V
Housing	Die-casting aluminum powder coated
Front cover	Hard chrome-plated stainless steel SUS 316L #
Light window	Tempered glass.T=8mm



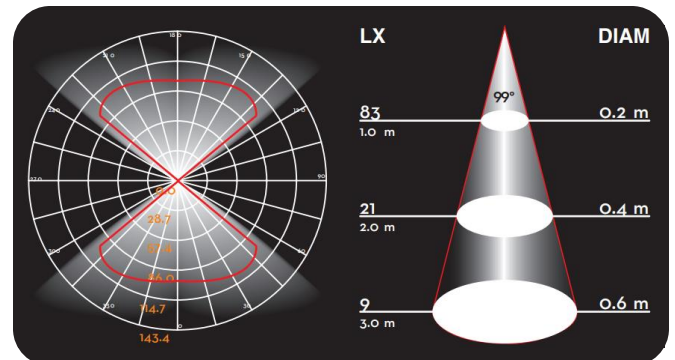
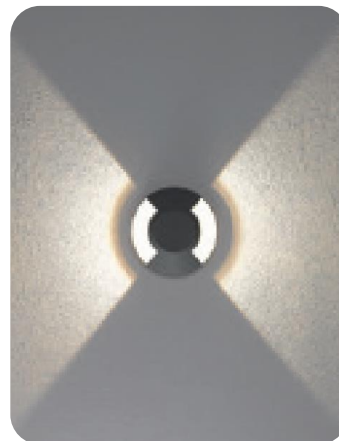
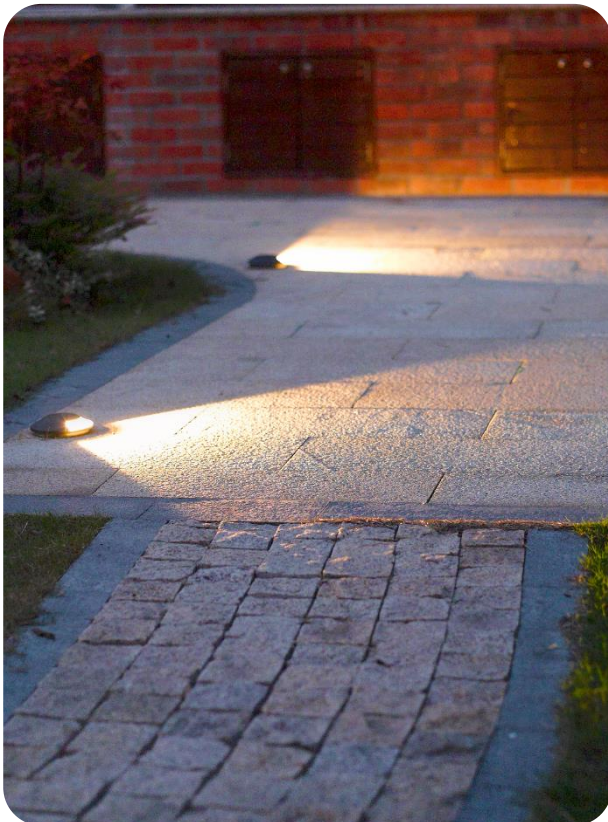
Angle adjustable



Code	H151
Power (Watts)	7W
Color Temperature	3000K
Lumen	67lm
Beam Angle	110°
CRI_≥	80
IP rating	67
Input Voltage	220-240V
Material	body and bracket in die-cast aluminum
Body Color	Dark Gray



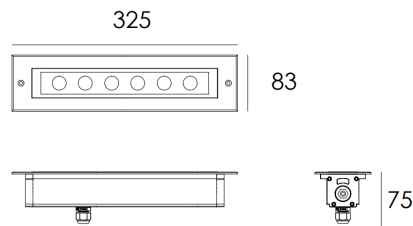
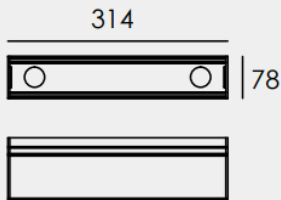
Code	H152
Power (Watts)	7W
Color Temperature	3000K
Lumen	135lm
Beam Angle	99°
CRI\geq	80
IP rating	67
Input Voltage	220-240V
Material	body and bracket in die-cast aluminum



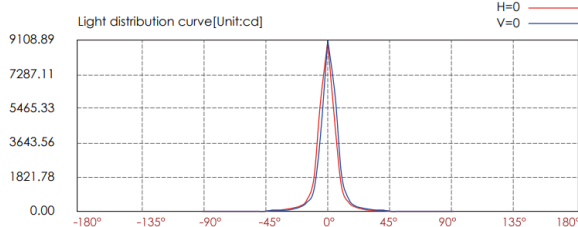
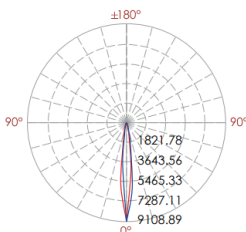
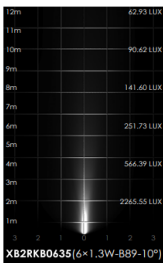
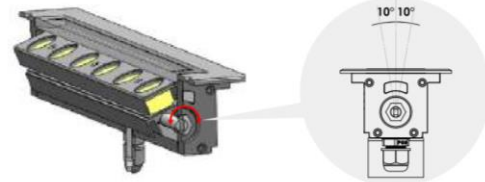
Code	XB2RKBO635
Consumption(W)	8.7W
Light source	6 × 1.3W Osram
Color Temperature	3000K
Lumen	567lm
Beam Angle	20°
IP rating	67
IK rating	07
Input Voltage	220-240V
Housing	Extruded aluminum, powder coated
Front cover	Hard chrome-plated stainless steel SUS 316L
Light window	Tempered glass.T=6mm



Sleeve (Included)



ANGLE ADJUSTABLE

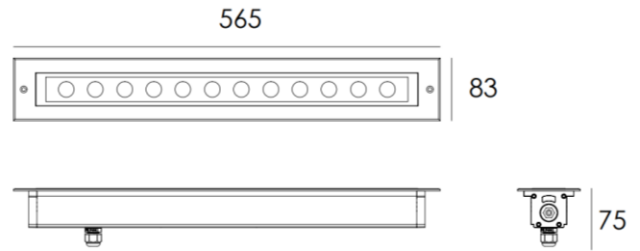
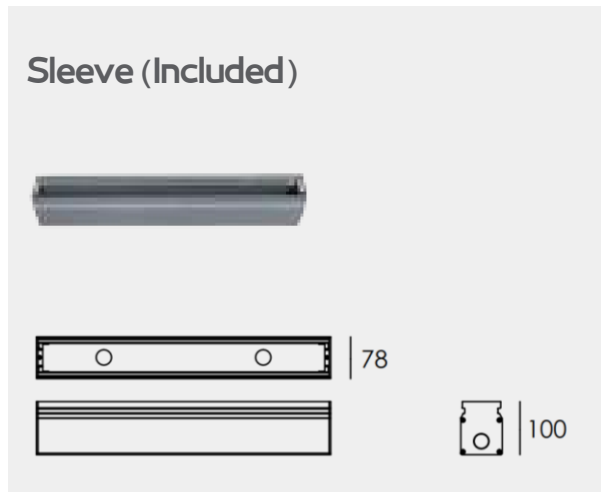


Lux distance curve

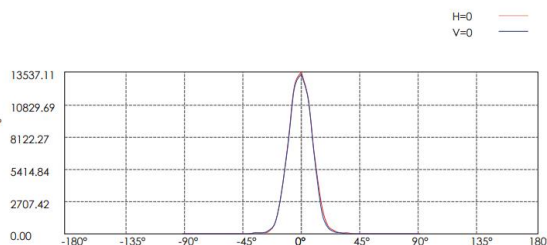
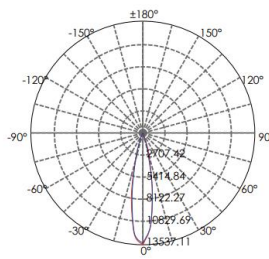
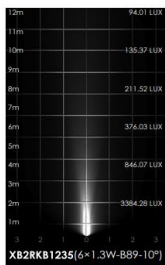
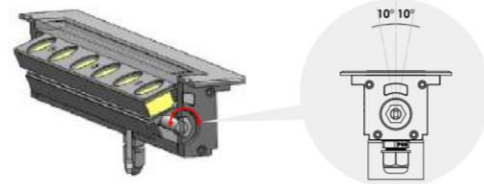
Distance (m)	Center beam LUX	Beam width V (m)	Beam width H (m)
2	2265.55 LUX	0.4m	0.4m
4	566.39 LUX	0.8m	0.8m
6	251.73 LUX	1.2m	1.2m
8	141.60 LUX	1.6m	1.6m
10	90.62 LUX	2.0m	2.0m
12	62.93 LUX	2.4m	2.4m

Ver.Spread: 11.4 Horiz.Spread: 11.2

Code	XB2RKB1235
Consumption(W)	16.8W
Light source	12 × 1.3W Osram
Color Temperature	3000K
Lumen	1160lm
Beam Angle	20°
IP rating	67
IK rating	07
Input Voltage	220-240V
Housing	Extruded aluminum, powder coated
Front cover	Hard chrome-plated stainless steel SUS 316L
Light window	Tempered glass.T=6mm



ANGLE ADJUSTABLE



Lux distance Curve

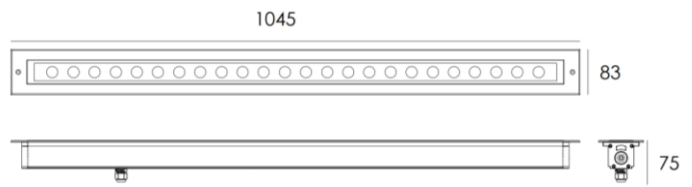
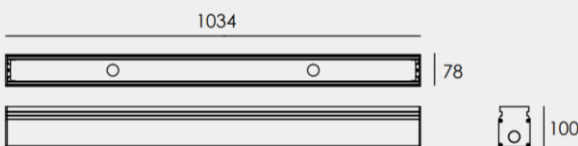
Distance	Illuminance at a Distance	
	Center Beam LUX	Beam Width V H
2m	3384.28 LUX	0.7m 0.7m
4m	846.07 LUX	1.5m 1.5m
6m	376.03 LUX	2.2m 2.2m
8m	211.52 LUX	3.0m 2.9m
10m	135.37 LUX	3.7m 3.7m
12m	94.01 LUX	4.5m 4.4m

Vert.Spread:21.1 Horiz.Spread:20.8

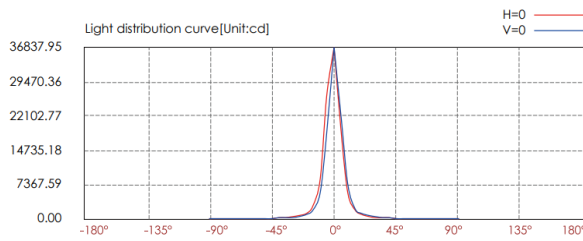
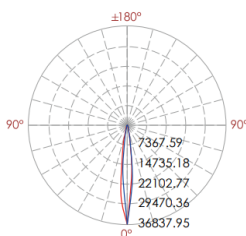
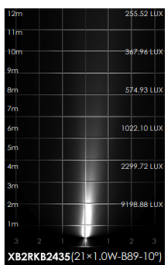
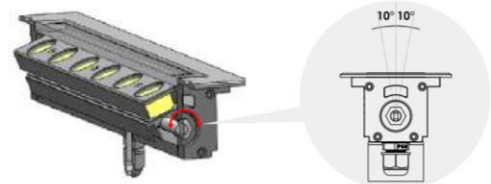
Code	XB2RKB2435
Consumption(W)	32W
Light source	24 × 1.3W Osram
Color Temperature	3000K
Lumen	2306lm
Beam Angle	20°
IP rating	67
IK rating	07
Input Voltage	220–240V
Housing	Extruded aluminum, powder coated
Front cover	Hard chrome-plated stainless steel SUS 316L
Light window	Tempered glass.T=6mm



Sleeve (Included)



ANGLE ADJUSTABLE

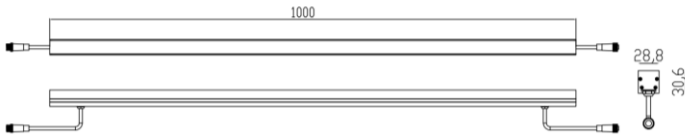
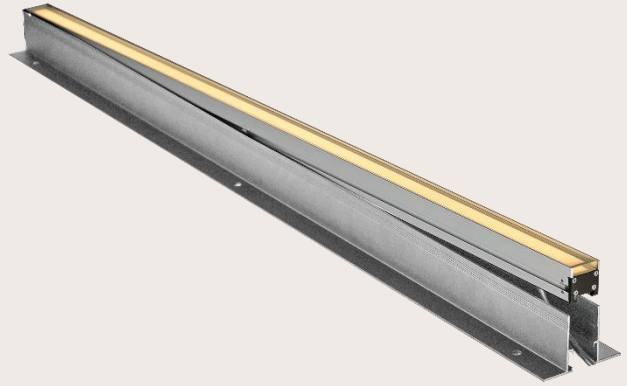


ILLUMINANCE AT A DISTANCE

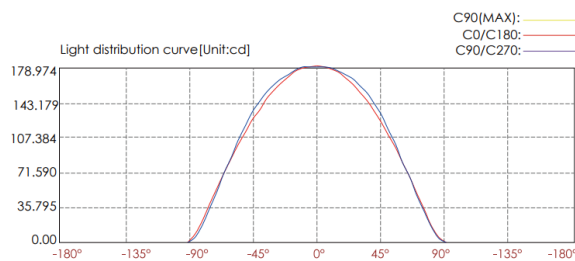
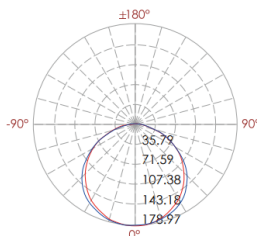
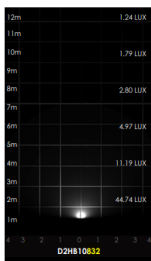
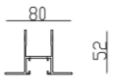
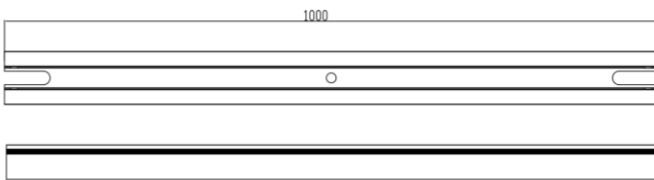
Center Beam LUX	Beam width V	Beam width H
2m 9198.88 LUX	0.4m	0.4m
4m 2299.72 LUX	0.8m	0.8m
6m 1022.10 LUX	1.3m	1.1m
8m 574.93 LUX	1.7m	1.5m
10m 367.96 LUX	2.1m	1.9m
12m 255.52 LUX	2.5m	2.3m

Ver.Spread: 12.1 Horiz.Spread: 10.9

Code	D2HB10832
Consumption(W)	15W
Light source	108 × 0.14W Osram
Color Temperature	3000K
Lumen	525lm
Beam Angle	120°
IP rating	67
IK rating	07
Input Voltage	DC 24
Housing	Extruded aluminum anodize finishing
Light window	Tempered glass.T=6mm



SLEEVE (Included)



Lux distance curve

Distance (m)	Center beam LUX	Beam width V (m)	Beam width H (m)
2m	44.74 LUX	0.4m	6.5m
4m	11.19 LUX	12.7m	13.0m
6m	4.97 LUX	19.1m	19.6m
8m	2.80 LUX	25.4m	26.1m
10m	1.79 LUX	31.8m	32.6m
12m	1.24 LUX	38.2m	39.1m

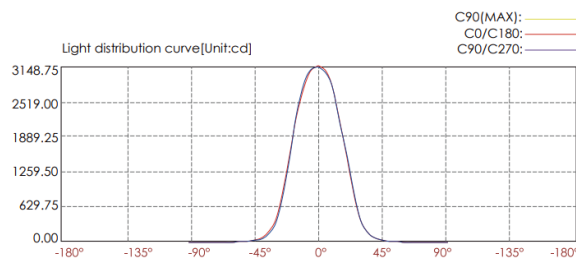
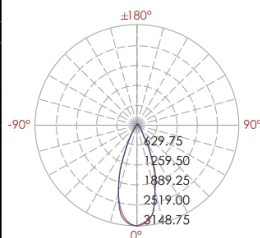
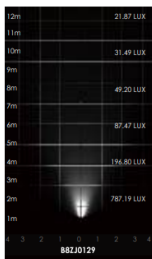
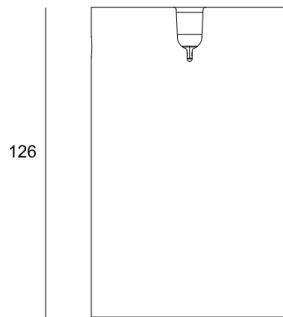
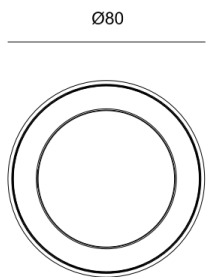
Ver.Spread:115.7 Horiz.Spread:117.0



Outdoor Wall Light



Code	B8ZJ0129
Power (Watts)	1 × 12W
Color Temperature	3000K
Lumen	1100
Beam Angle	24°
IP rating	65
IK rating	06
Input Voltage	220-240V
Main Material	Die-Cast Aluminum
Body Color	Dark gray

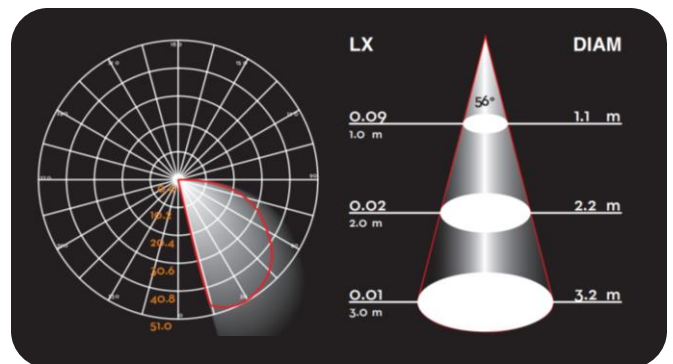
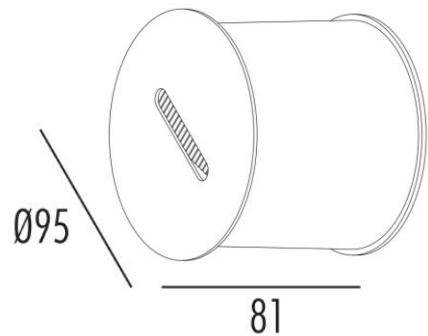
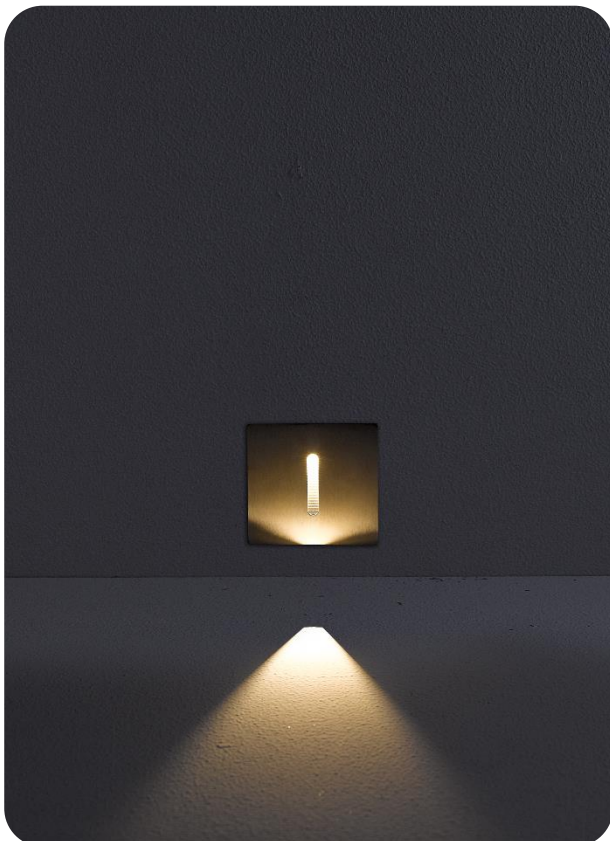


Lux distance curve

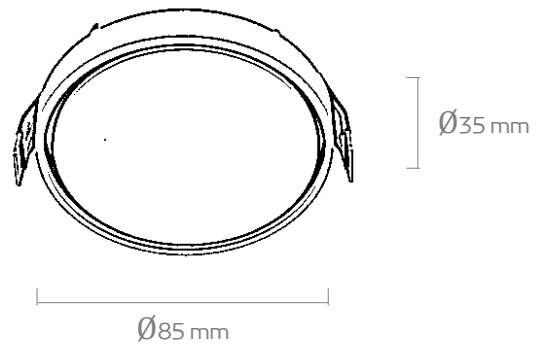
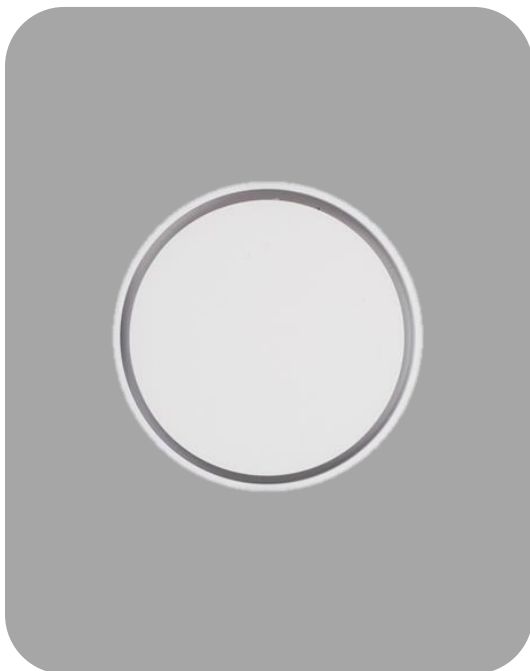
Center beam LUX	Beam width	
	V	H
2m 787.19 LUX	1.4m	1.4m
4m 196.80 LUX	2.9m	2.9m
6m 87.47 LUX	4.3m	4.3m
8m 49.20 LUX	5.8m	5.7m
10m 31.49 LUX	7.2m	7.2m
12m 21.87 LUX	8.6m	8.6m

Ver.Spread:39.6 Horiz.Spread:39.5

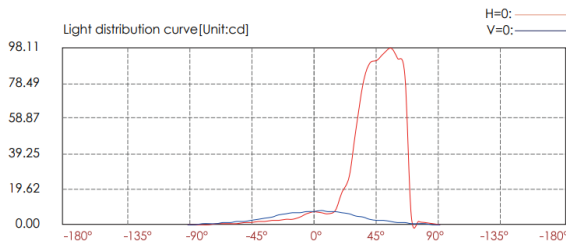
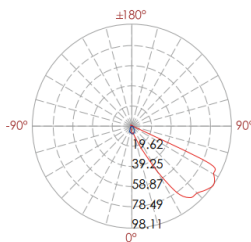
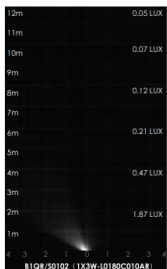
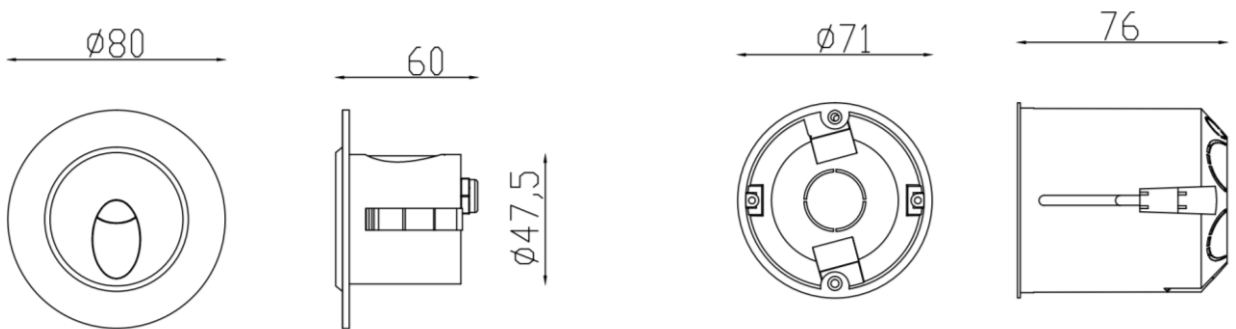
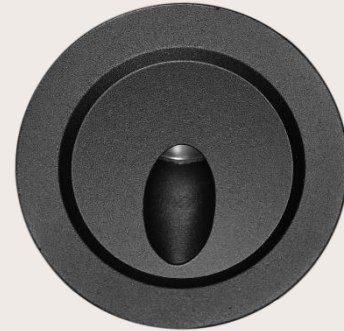
Code	H124
Power (Watts)	3W
Color Temperature	3000K
Lumen	23lm
Beam Angle	56°
CRI ≥	80
IP rating	65
Main Material	Steel and Aluminum
Body Color	Silver



Code	LC39
Cut Out	Ø60 mm
Power(Watts)	6W
Lumen	540lm
Color Temperature	3000K
IP Level	65
Body Color	White



Code	B1QR0102
Power (Watts)	1×3W
Color Temperature	3000K
Lumen	Black=46 White=81
Beam Angle	80°
IP rating	65
IK rating	10
Input Voltage	100-240V
Main Material	Die-Cast Aluminum
Body Color	Black/White

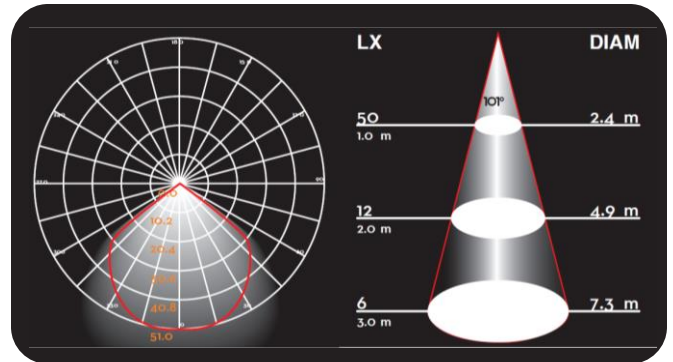
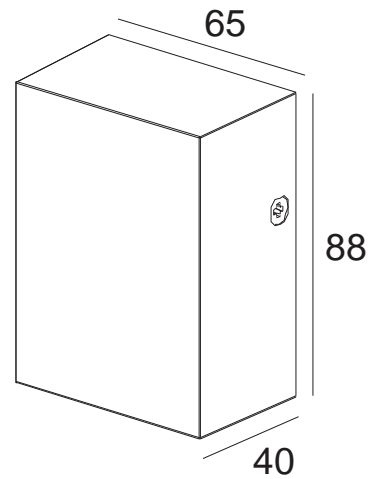


Lux distance curve

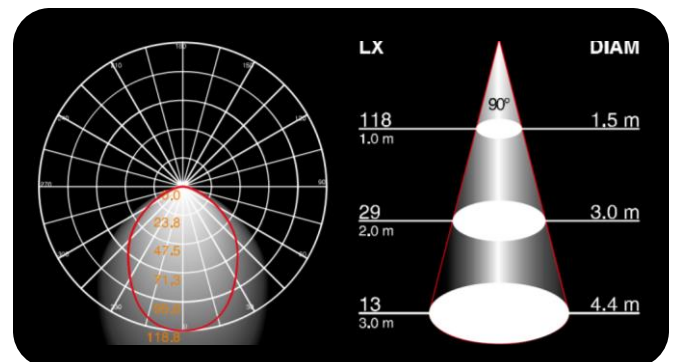
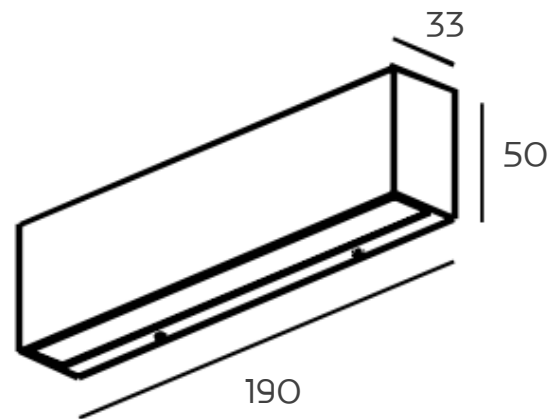
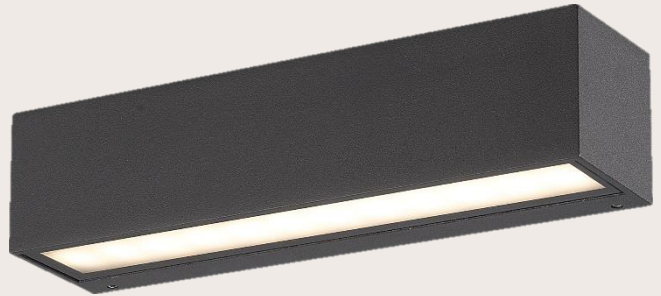
Center beam LUX	Beam width V	Beam width H
2m 1.87 LUX	1.4m	1.4m
4m 0.47 LUX	2.7m	2.9m
6m 0.21 LUX	4.1m	4.3m
8m 0.12 LUX	5.5m	5.7m
10m 0.07 LUX	6.8m	7.1m
12m 0.05 LUX	8.2m	8.6m

Ver.Spread:37.8 Horiz.Spread:39.3

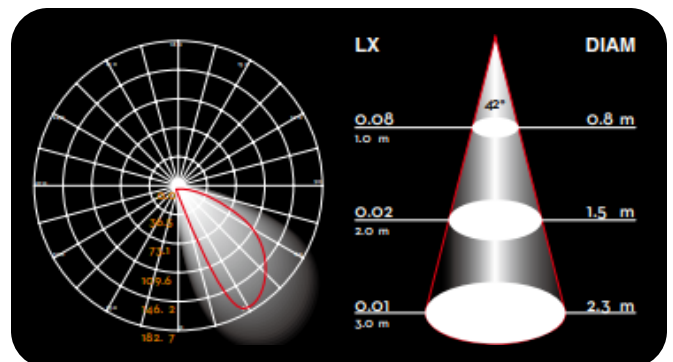
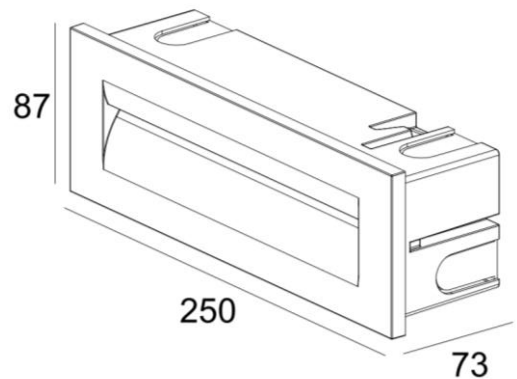
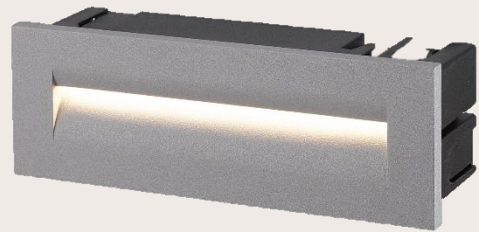
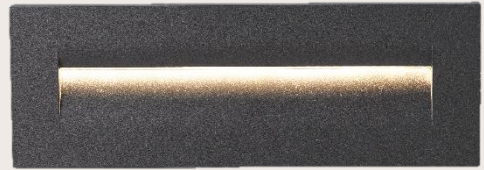
Code	H130 (Dark Gray) H130-1 (White)
Power (Watts)	3W
Color Temperature	3000K
Lumen	85lm
Beam Angle	101°
CR_I ≥	80
IP Level	54
Input Voltage	220-240V
Main Material	Die-Cast Aluminum
Body Color	Dark Gray / White



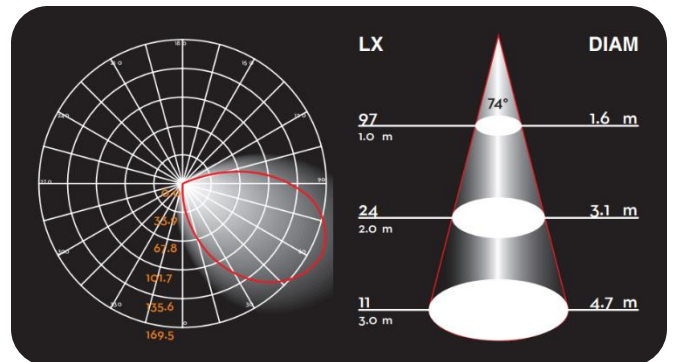
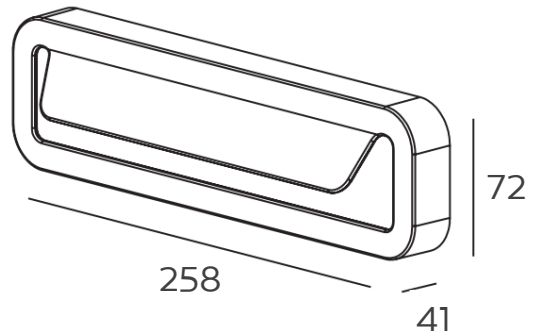
Code	H165
Power (Watts)	4W
Color Temperature	3000K
Lumen	300lm
Beam Angle	90°
CRI ≥	80
IP Level	65
Input Voltage	220-240V
Main Material	Die-Cast Aluminum
Body Color	Dark Gray



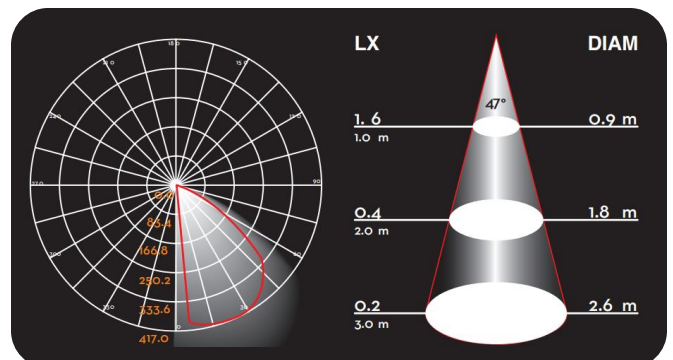
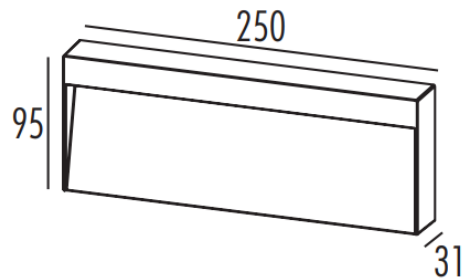
Code	H210 (Dark Gray) / H211 (White)
Power (Watts)	8.5W
Color Temperature	3000K
Lumen	190lm
Beam Angle	42°
CRI	80
IP Level	65
Input Voltage	220-240V
Main Material	Die-Cast Aluminum
Body Color	Dark Gray / White



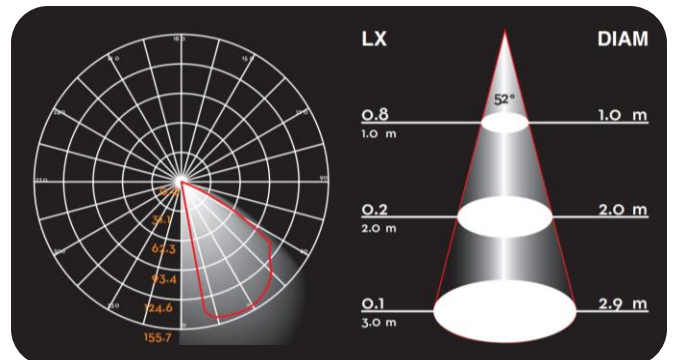
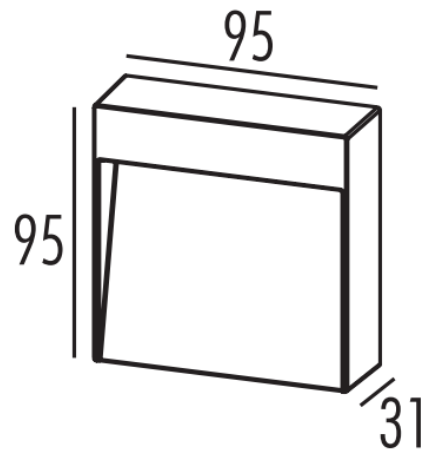
Code	H205
Power (Watts)	28x0.54W (15W)
Color Temperature	3000K
Lumen	436lm
Beam Angle	74°
CRI_r ≥	80
IP Level	65
Input Voltage	220-240V
Main Material	Die-Cast Aluminum
Body Color	Dark Gray



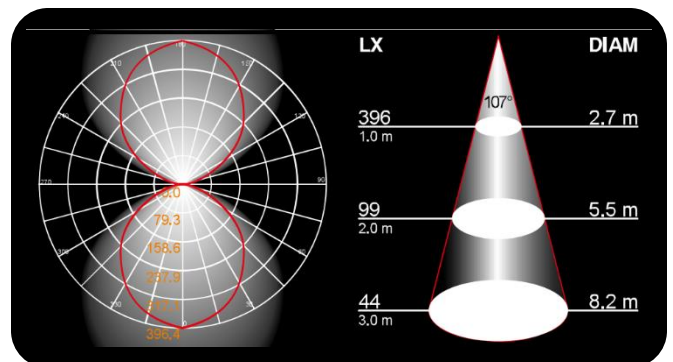
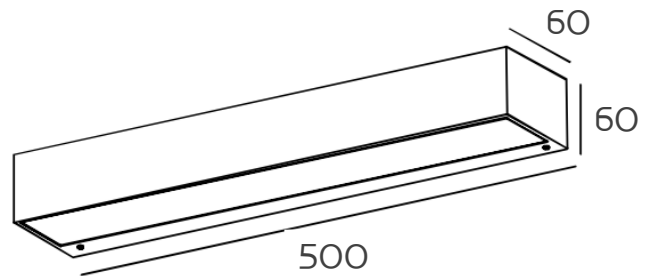
Code	H204 (Dark Gray) / H212 (White)
Power (Watts)	9W
Color Temperature	3000K
Lumen	487lm
Beam Angle	47°
CRI	80
IP Level	65
Input Voltage	220-240V
Main Material	Die-Cast Aluminum
Body Color	Dark Gray / White



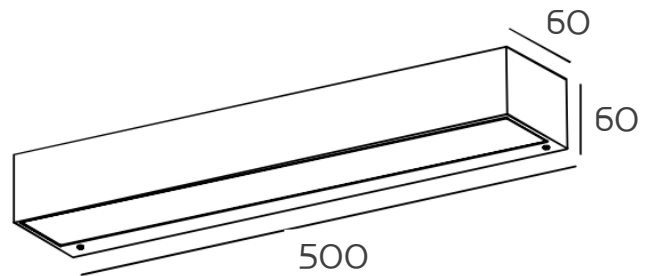
Code	H169 (Dark Gray) / H213 (White)
Power (Watts)	3W
Color Temperature	3000K
Lumen	185lm
Beam Angle	52°
CRI	80
IP Level	65
Input Voltage	220-240V
Main Material	Die-Cast Aluminum
Body Color	Dark Gray / White



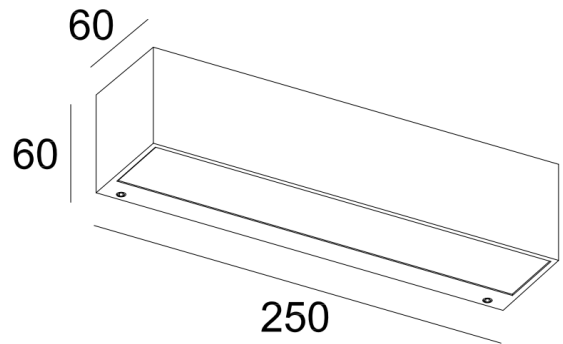
Code	H131
Power (Watts)	20W
Color Temperature	3000K
Lumen	1517lm
Beam Angle	107°
CRI_≥	80
IP Level	65
Input Voltage	220-240V
Main Material	Die-Cast Aluminum
Body Color	Dark Gray



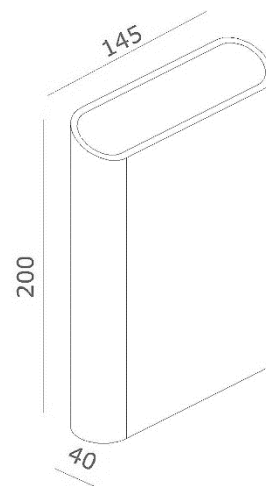
Code	H131-1
Power (Watts)	15W
Color Temperature	3000K
Lumen	1263lm
Beam Angle	107°
CRI\geq	80
IP Level	65
Input Voltage	220-240V
Main Material	Die-Cast Aluminum
Body Color	Dark Gray



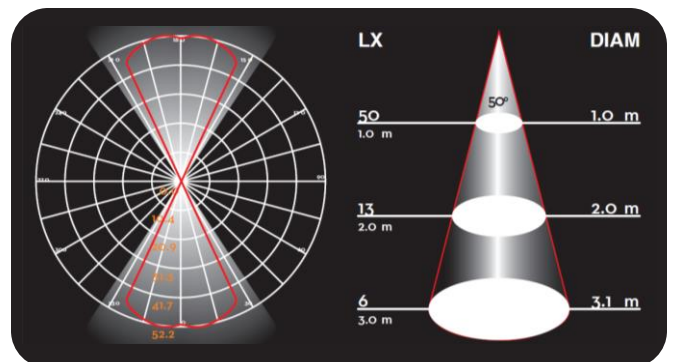
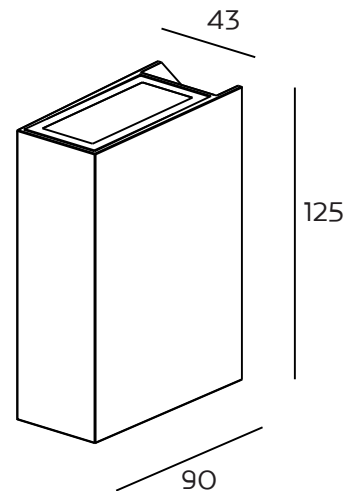
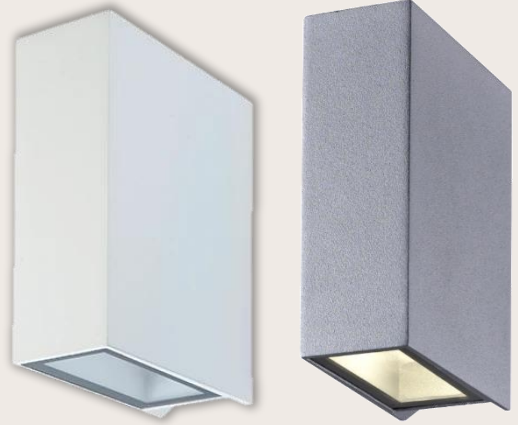
Code	H215
Power (Watts)	15W
Color Temperature	3000K
Lumen	1140lm
Beam Angle	110°
CRI\geq	80
IP Level	65
Input Voltage	220-240V
Main Material	Die-Cast Aluminum
Body Color	Dark Gray



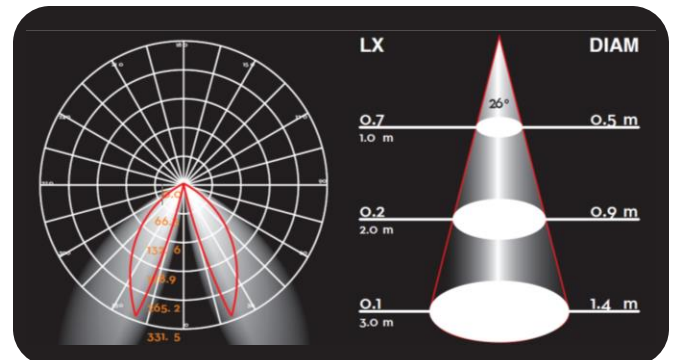
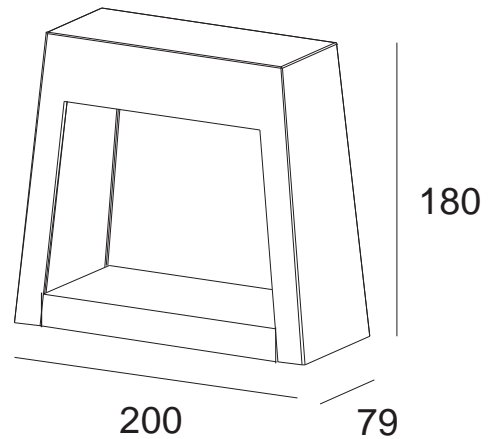
Code	LC220 (Dimmable)
Power (Watts)	2x6W
Color Temperature	3000K
Lumen	1050lm
Light Source	Teen LED
CRI\geq	90
IP rating	65
Main Material	Die-Cast Aluminum
Body Color	Matt Black



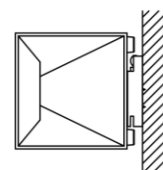
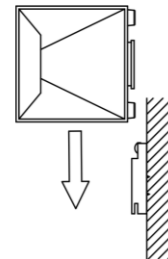
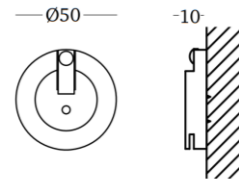
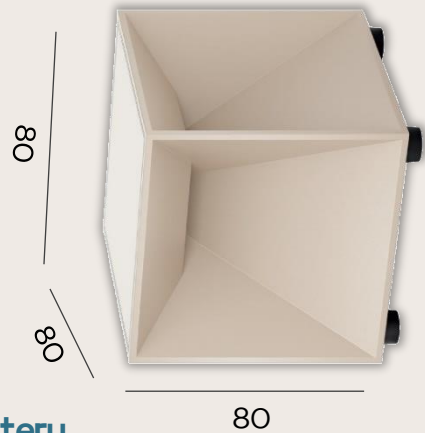
Code	H116 (Dark Gray) / H216 (White)
Power (Watts)	2x4W (8W)
Color Temperature	3000K
Lumen	320lm
Beam Angle	50°
CRI ≥	80
IP Level	54
Input Voltage	220-240V
Main Material	Die-Cast Aluminum
Body Color	Dark Gray / White



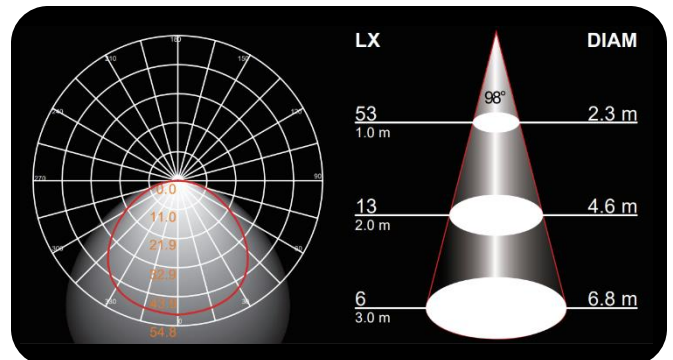
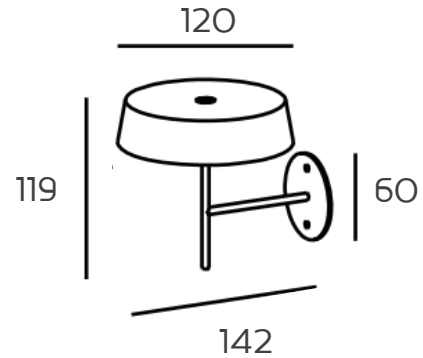
Code	H160
Power (Watts)	18W
Color Temperature	3000K
Lumen	612lm
Beam Angle	28°
CR_I ≥	80
IP rating	65
Input Voltage	220-240V
Main Material	Die-Cast Aluminum
Body Color	Dark Gray



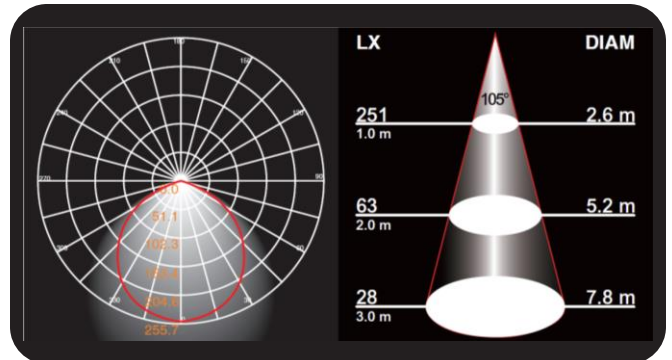
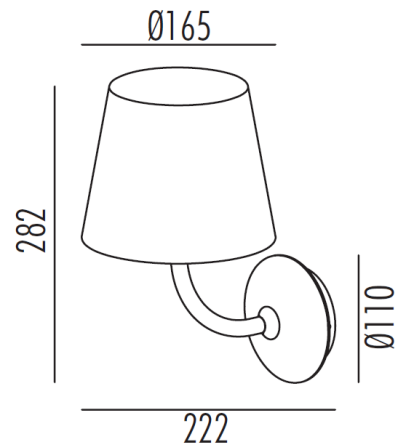
Code	Cubox Mini
Power (Watts)	2.2W
Color Temperature	3000K/2700K
Body Material	Die-Cast Aluminum
IP Level	54
CRI \geq	80
Work Time	8-9h
Charge Time	4-5h
Battery	1x3000mAh Lithium Battery
Dimmable	Touch Switch
Body Color	Sand



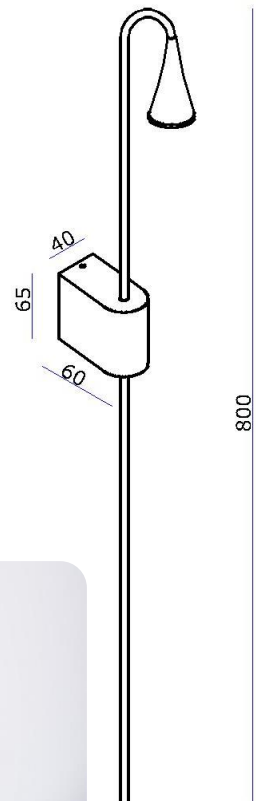
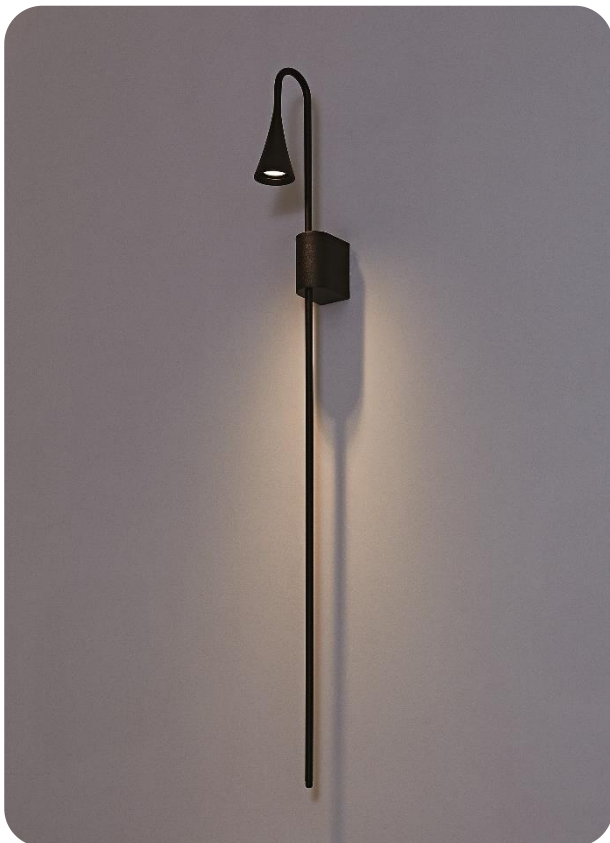
Code	H196
Power (Watts)	2.2W
Color Temperature	3000K
Lumen	195lm
Beam Angle	98°
CRI_≥	85
IP Level	54
Work Time	12h
Charge Time	5-7h
Battery	2x2200mAh Lithium Battery
Main Material	Die-Cast Aluminum
Body Color	Shining Black



Code	H155 (Dark Gray) H156 (White)
Power (Watts)	7W
Color Temperature	3000K
Lumen	555lm
Beam Angle	105°
CRI ≥	80
IP Level	65
Input Voltage	220-240V
Main Material	Die-Cast Aluminum
Body Color	Dark Gray / White



Code	LC119 (BLK) / LC197 (WHT)
Power (Watts)	3.2W
Light Source	LED Teen
Color Temperature	3000K
Lumen	242lm
Beam Angle	38°
CRI\geq	90
IP Level	54
Input Voltage	230V
Main Material	Die-Cast Aluminum
Body Color	Black / White

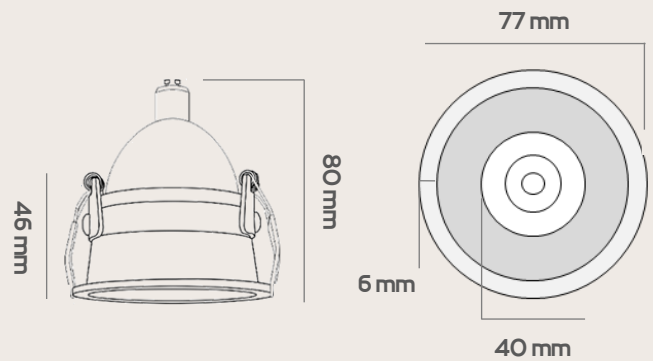




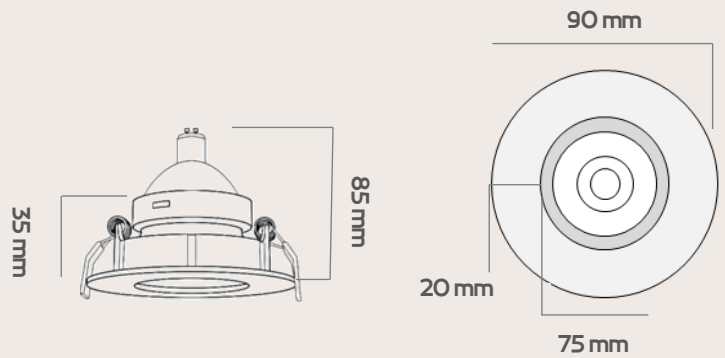
3000K
—
100%



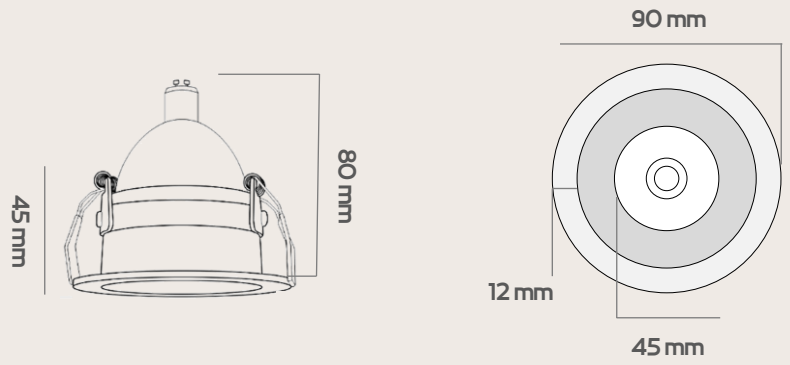
Code	N1001
Base	GU10
Cut Out	68 mm
Main Material	Aluminum
Body Color	Black / White



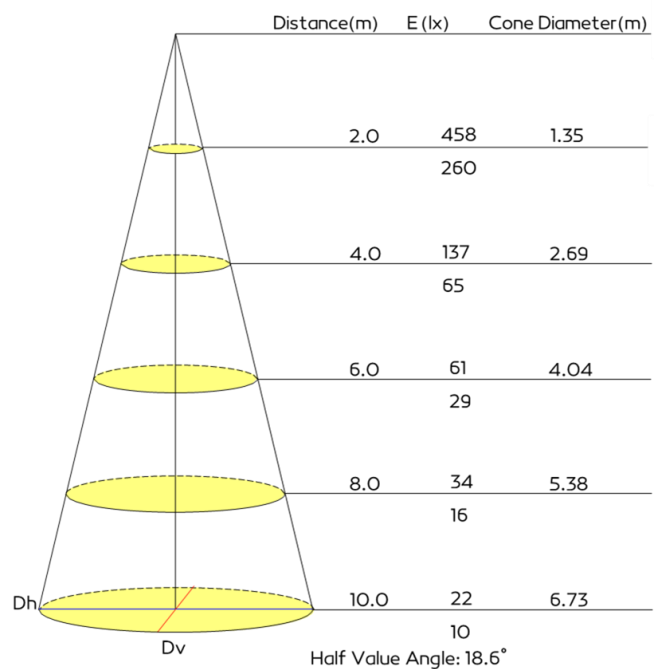
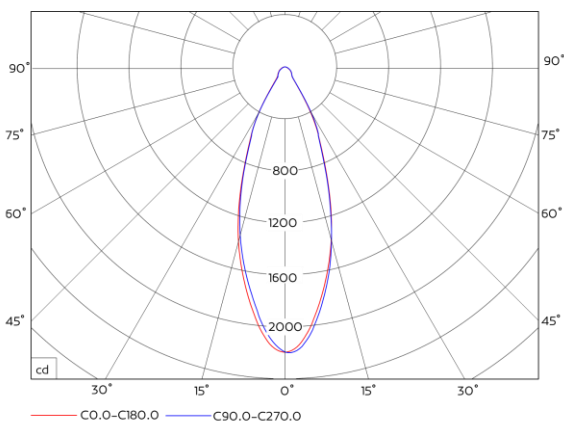
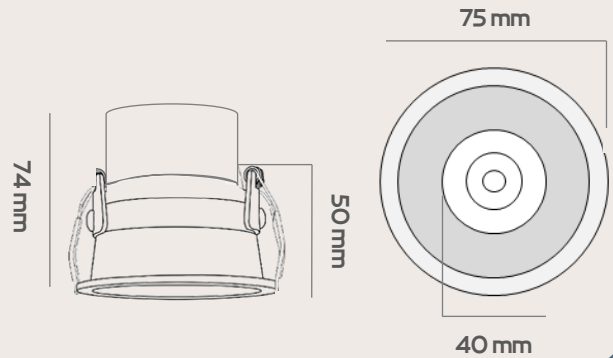
Code	N1002
Base	GU10
Cut Out	80 mm
Main Material	Aluminum
Reflector Color	Black / White / Gold
Body Color	White



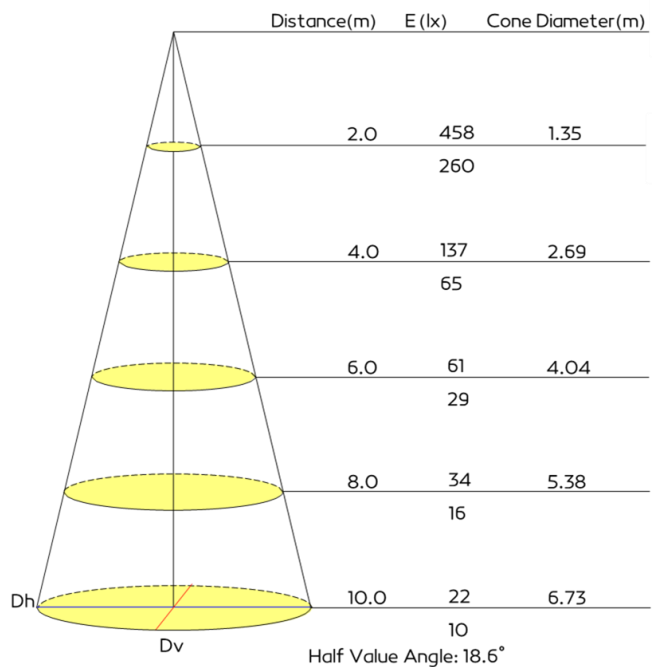
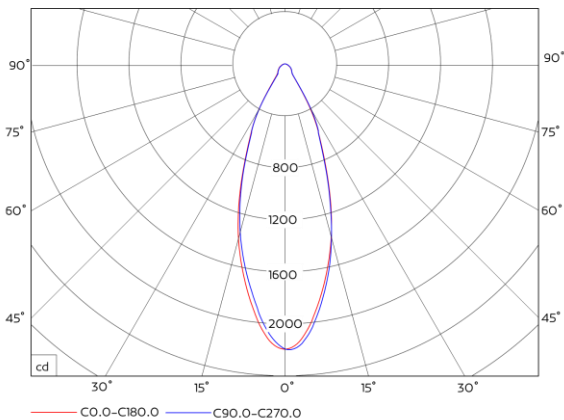
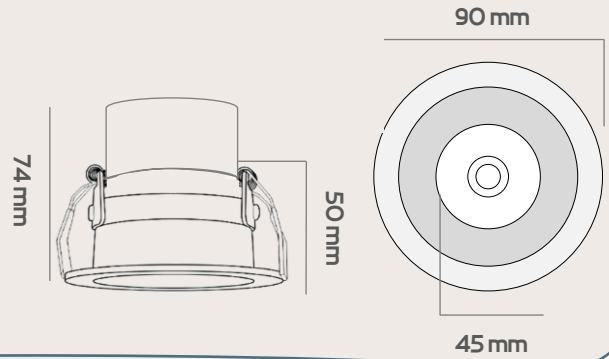
Code	N1003
Base	GU10
Cut Out	80 mm
Main Material	Aluminum
Body Color	Black / White



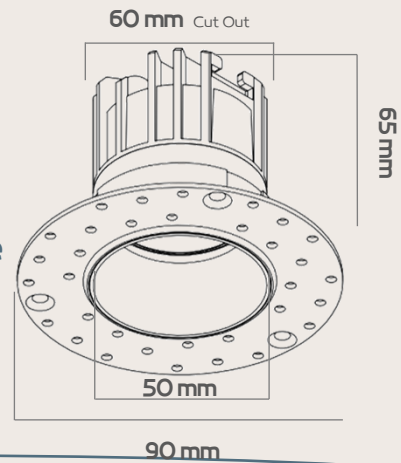
Code	N1024
Cut Out	68 mm
Input Voltage	220V
Power(Watts)	12W
Lumen	1100lm
Light Source	Philips
Beam Angle	15° . 30° . 50°
Color Temperature	3000K . 4000K . 5700K
CRI ≥	90
IP Level	20
Main Material	Aluminum
Body Color	Black / White

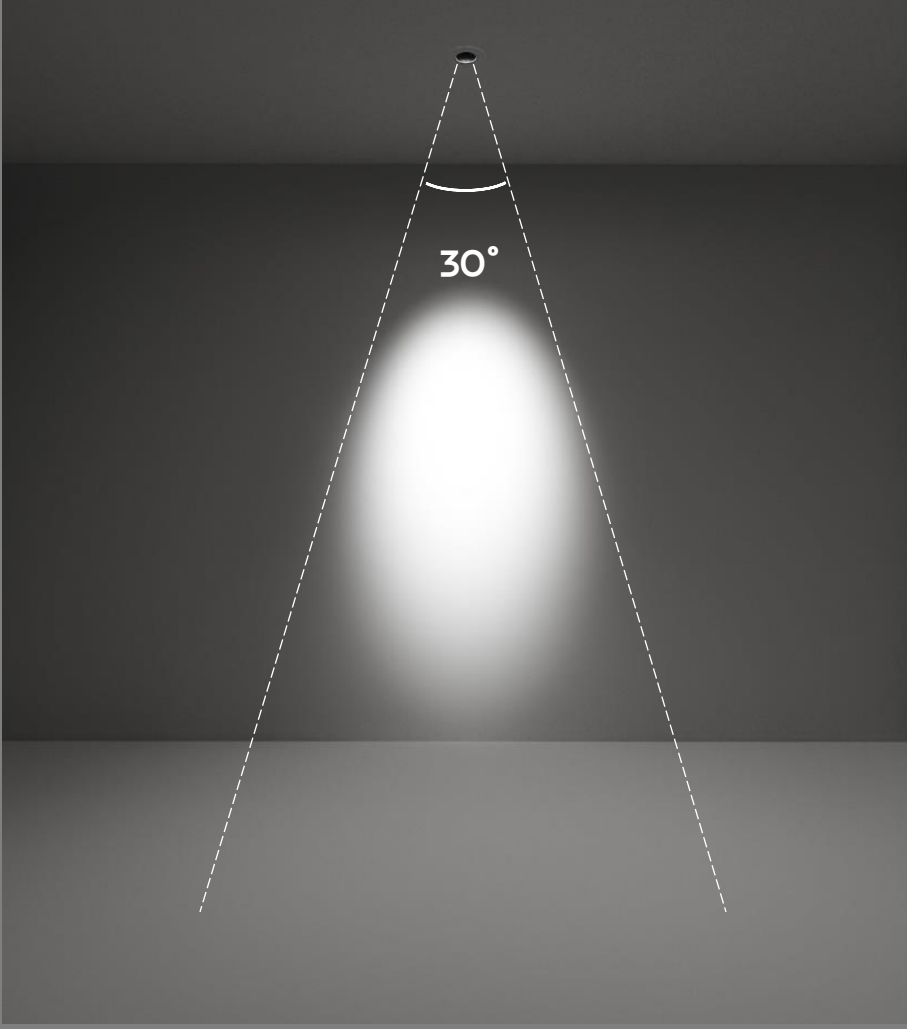
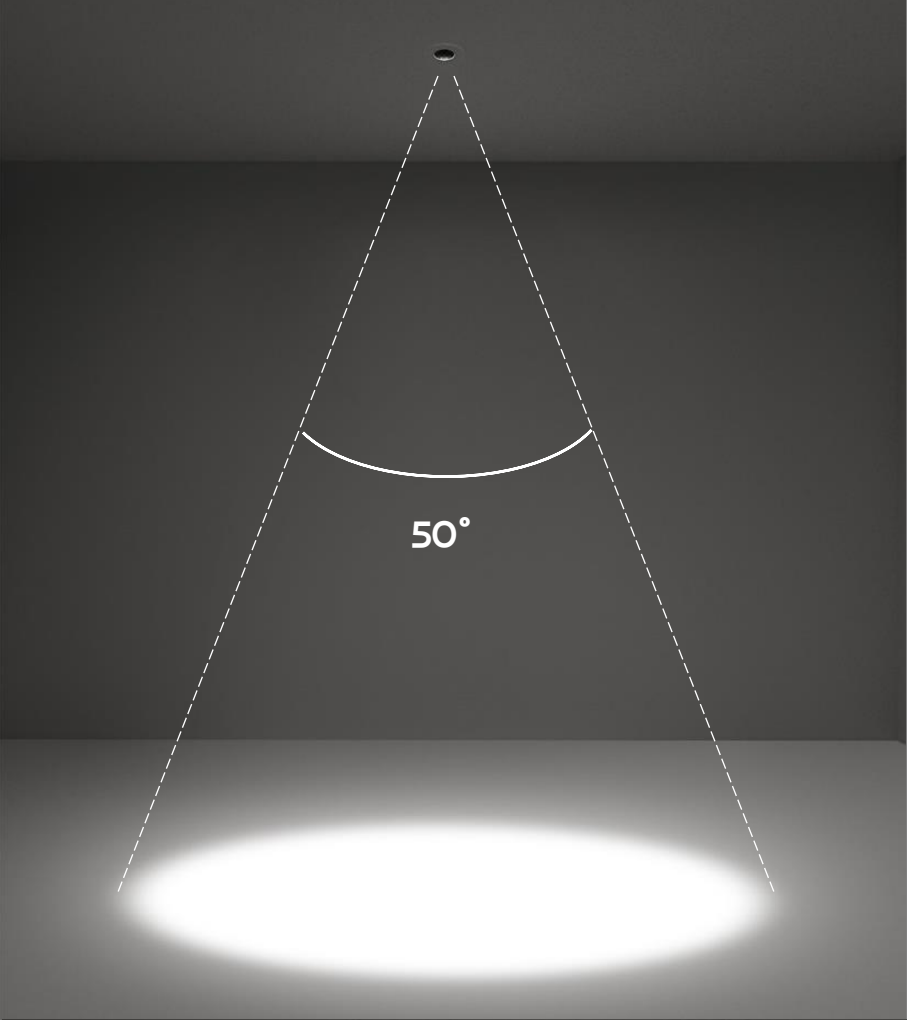


Code	N1025
Cut Out	80 mm
Input Voltage	220V
Power(Watts)	12W
Lumen	1100lm
Light Source	Philips
Beam Angle	15° . 30° . 50°
Color Temperature	3000K . 4000K . 5700K
CRI \geq	90
IP Level	20
Main Material	Aluminum
Body Color	Black / White

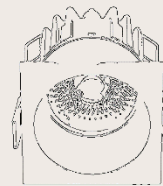


Code	N1019
Cut Out	60 mm
Input Voltage	220V
Power(Watts)	12W
Lumen	1100lm
Light Source	Philips
Beam Angle	15° . 30° . 50°
Color Temperature	3000K . 4000K . 5700K
CRI \geq	90
IP Level	20
Main Material	Aluminum . Polycarbonate
Body Color	Black / White / Gold

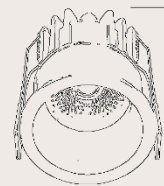




Code	N1021-R / N1021-S
Cut Out	55mm
Input Voltage	220 V
Power(Watts)	12W
Lumen	1100lm
Light Source	Philips
Beam Angle	15° . 30° . 50°
Color Temperature	3000K . 4000K . 5700K
CRI \geq	90
IP Level	20
Main Material	Aluminum
Body Color	White / Black / Gold



68 mm



59 mm

67 mm

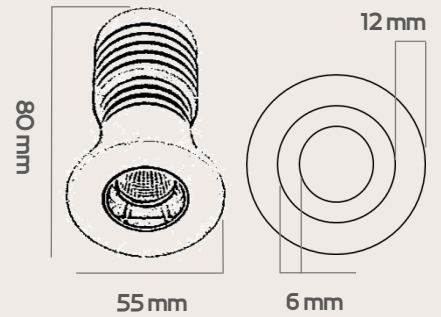
Square Body Form



Round Body Form



Code	N1020
Cut Out	45 mm
Power(Watts)	8W
Lumen	528.5lm
Light Source	CREE COB 1306C
Beam Angle	30°
Color Temperature	2700K
CRI \geq	90
IP Level	20
Main Material	Aluminum
Reflector Color	Matt & Shining Black / Gold
Body Color	Black / White



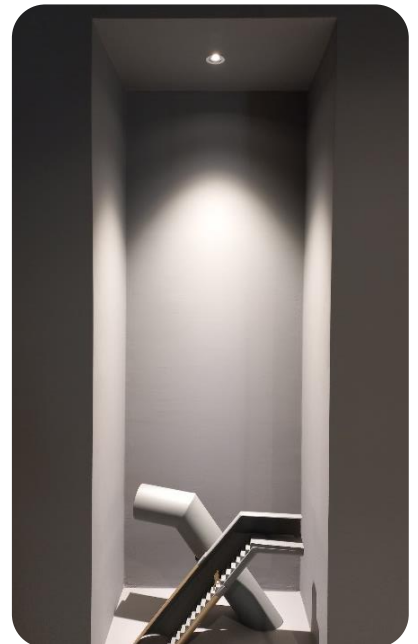
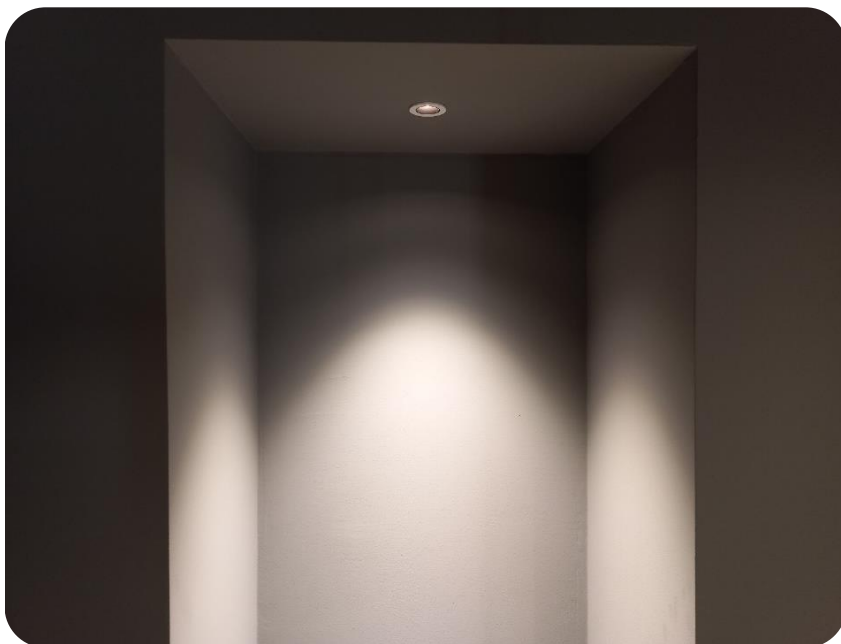
Shining Black



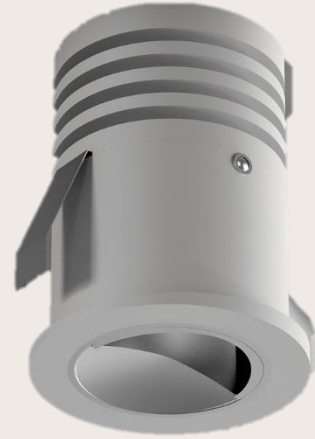
Matt Black



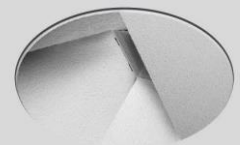
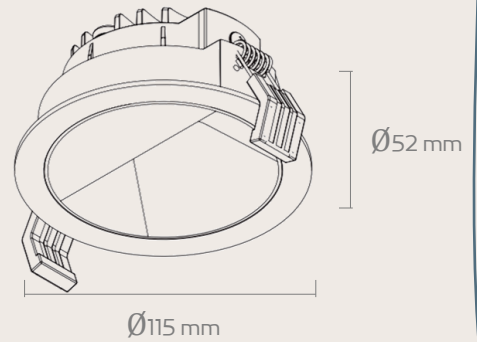
Shining Gold



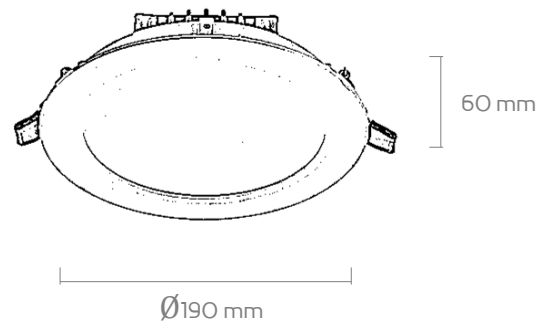
Code	LC219
Light source	TEEN LED
Power(Watts)	7W
Cut out	Ø 50 mm
Lumen	408lm
Color Temperature	3000K
Beam Angle	40°
CRI ≥	90
IP Level	20
Main Material	Aluminum
Body Color	Matt White



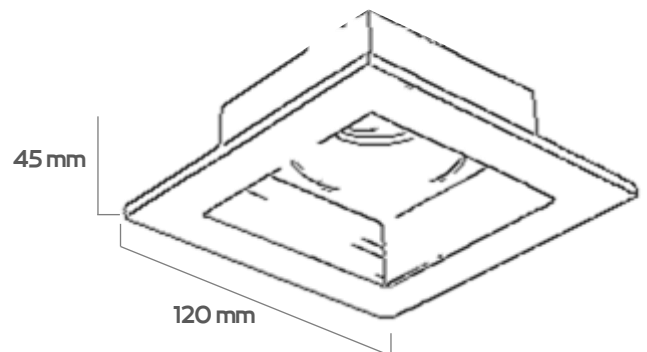
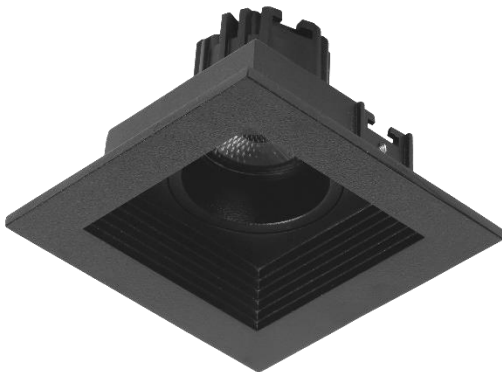
Code	T360
Cut Out	Ø100 mm
Output Voltage	7-18 700MA
Power(Watts)	2x4W (8W)
Lumen	522.4lm
Lamp Holder	Ceramic PCB
Light Source	CREE XPG-2
Beam Angle	85.4°
Color Temperature	3000K . 4000K
CRI ≥	80
IP Level	20
Main Material	Aluminum
Body Color	White
Certificate	CE ROHS



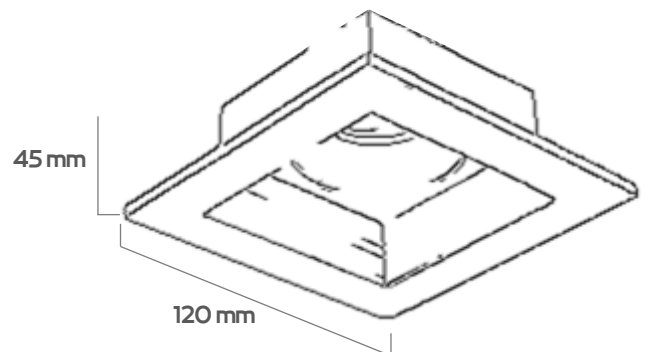
Code	E155
Cut Out	Ø175 mm
Power(Watts)	18W
Lumen	1620lm
Color Temperature	3000K
IP Level	20
Body Color	White



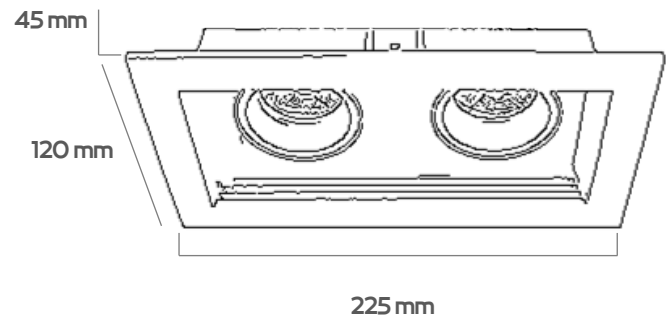
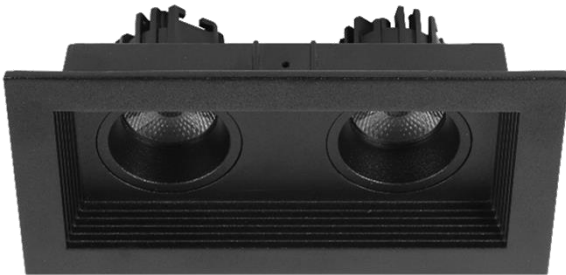
Code	N1022-COB
Cut Out	95x95 mm
Input Voltage	220
Light Source	Philips COB
Power(Watts)	12W
Lumen	1100lm
Beam Angle	15° . 30° . 50°
IP Level	20
Color Temperature	3000K . 4000K . 5700K
CRI \geq	90
Main Material	Aluminum
Body Color	Black / White



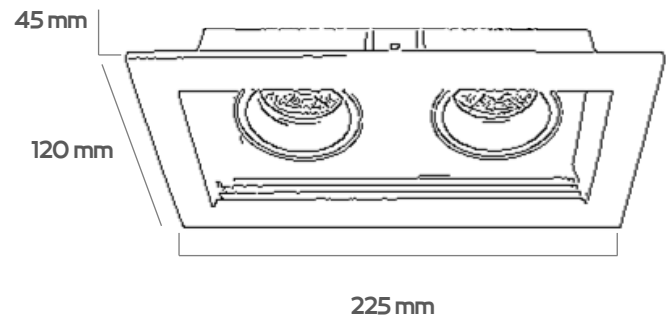
Code	N1022-GU10
Cut Out	95x95 mm
Input Voltage	220
Light Source	GU10
Power(Watts)	6W
Lumen	550lm
Beam Angle	35°
IP Level	20
Color Temperature	3000K
CRI \geq	80
Main Material	Aluminum
Body Color	Black / White



Code	N1023-COB
Cut Out	95x200 mm
Input Voltage	220
Light Source	Philips COB
Power(Watts)	2*12W (24W)
Lumen	2*1100lm (2200lm)
Beam Angle	15° . 30° . 50°
IP Level	20
Color Temperature	3000K . 4000K . 5700K
CRI \geq	90
Main Material	Aluminum
Body Color	Black / White




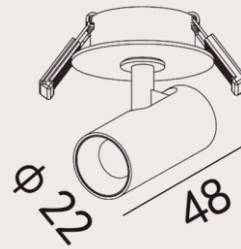
Code	N1023-GU10
Cut Out	95x200 mm
Input Voltage	220
Light Source	GU10
Power(Watts)	2*6W (12W)
Lumen	2*550lm (1100lm)
Beam Angle	35°
IP Level	20
Color Temperature	3000K
CRI \geq	80
Main Material	Aluminum
Body Color	Black / White



Code	T364 (WHT) / T365 (BLK)
Cut Out	38 mm
Power(Watts)	2.1W
Input Voltage	700mA
Lumen	128lm
Light Source	CREE XPE-2
Beam Angle	30°
Color Temperature	3000K
CRI ≥	90
IP Level	20
Main Material	Aluminum
Body Color	White / Black



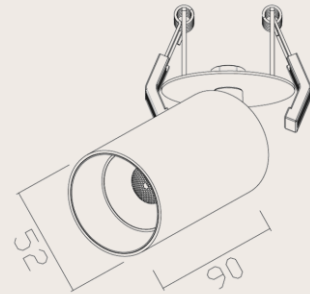
 38(Cut out)



Code	T366 (WHT) / T367 (BLK)
Cut Out	55 mm
Power(Watts)	12.7W
Input Voltage	350mA
Lumen	1425lm
Light Source	CREE CMB1510
Beam Angle	30°
Color Temperature	3000K
CRI ≥	90
IP Level	20
Main Material	Aluminum
Body Color	White / Black
Dimmable	Optional



⌀ 55(Cut out)

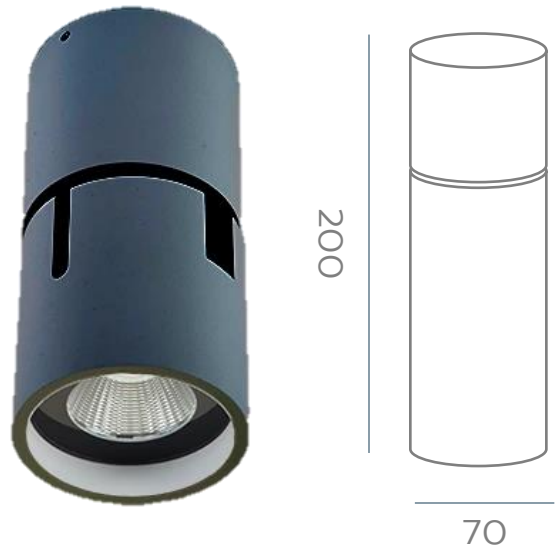




Surface-mounted Light



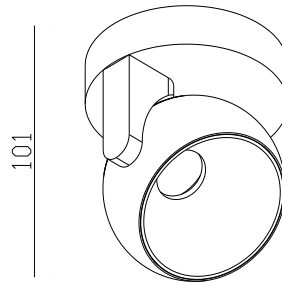
Code	LC156 (BLK) (Dimmable)
Power (Watts)	7W
Color Temperature	3000K
Light Source	Lumileds LED
IP Level	20
Main Material	Aluminum
Body Color	Black



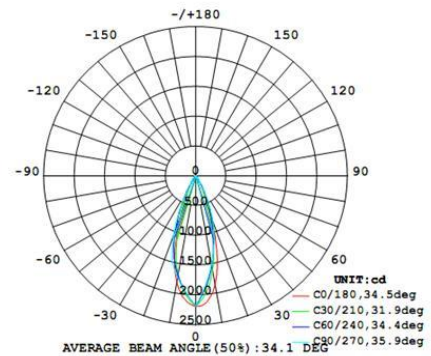
Code	LC218 (Dimmable)
Light source	TEEN LED
Power(Watts)	9W
Lumen	882lm
Color Temperature	3000K
CRI ≥	90
IP Level	20
Main Material	Aluminum
	Base: black
Color	Head: Foggy Nickel
	Arm: black



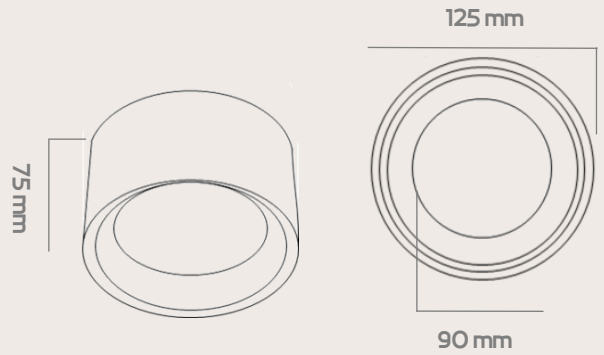
∅112



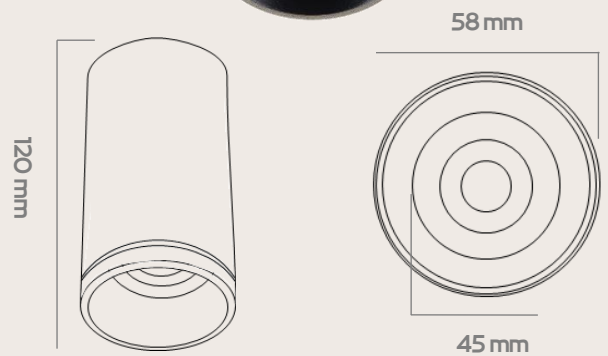
LUMINOUS INTENSITY DISTRIBUTION DIAGRAM



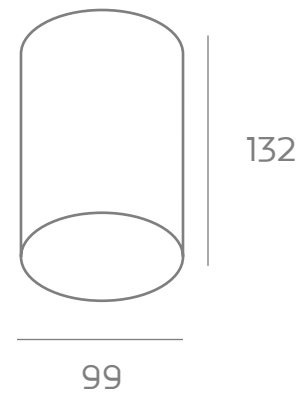
Code	N1007
Input Voltage	230V
Power(Watts)	12W
Lumen	900lm
Lamp Holder	Aluminum PCB
Light Source	TD Lighting
Color Temperature	3000K . 4000K
CRI \geq	80
IP Level	20
Main Material	Aluminum
Dimmable	Optional
Color	Black / White



Code	N1006
Base	GU10
Power(Watts)	6W
Lumen	550lm
Lamp Holder	Ceramic
Light Source	GU10
Beam Angle	35°
Color Temperature	3000K
CRI \geq	80
IP Level	20
Main Material	Aluminum
Body Color	Black/ White

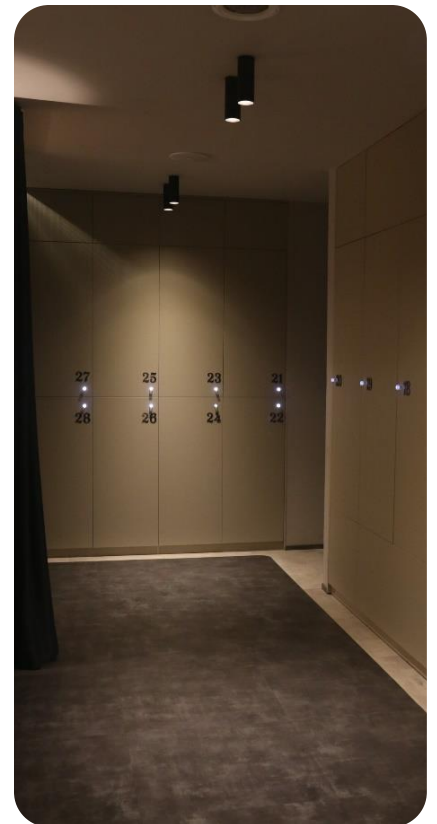
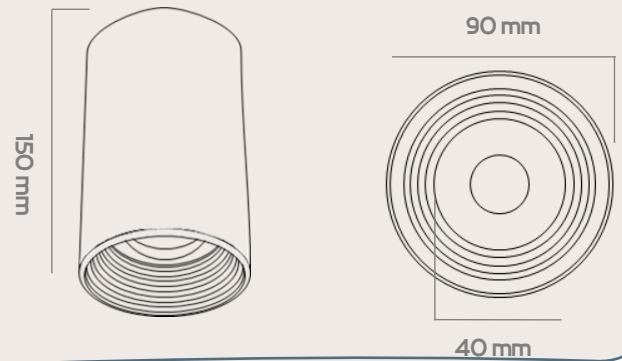


Code	T111 (WHT)
Power (Watts)	10.7W
Color Temperature	3000K
Beam Angle	30°
Light Source	CREE CXA1512 LED
Lumen	1261lm
IP Level	20
Main Material	Aluminum
Body Color	Black / White

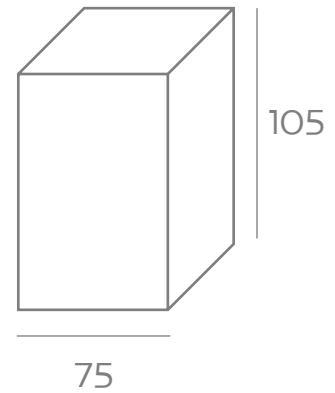


Surface-Mounted Light

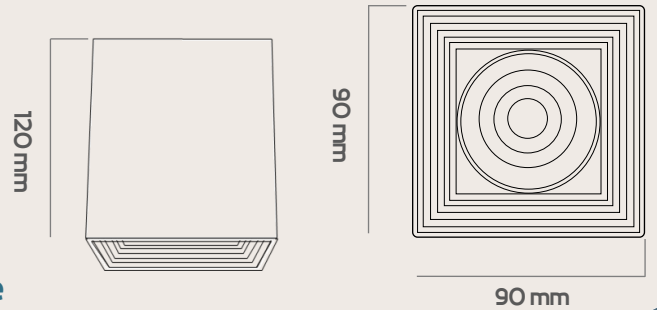
Code	N1012-150
Base	GU10
Power(Watts)	6W
Lumen	550lm
Lamp Holder	Ceramic
Light Source	GU10
Beam Angle	35°
Color Temperature	3000K
CRI \geq	80
IP Level	20
Main Material	Aluminum
Reflector Color	White
Body Color	Black / White



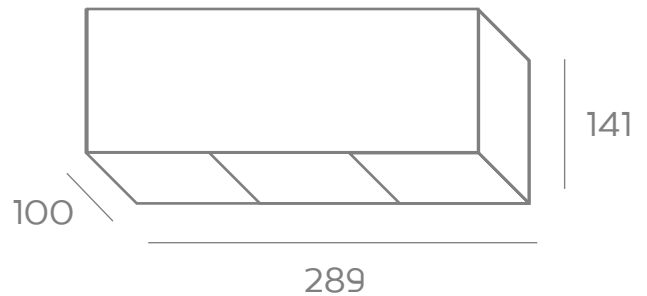
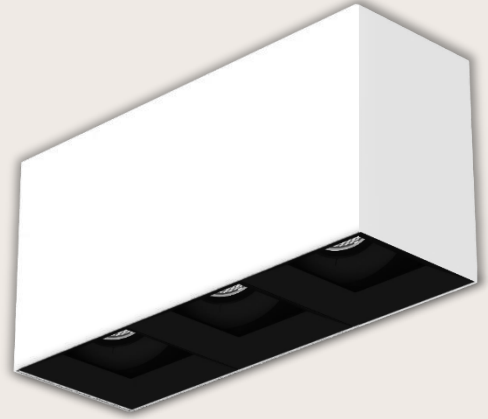
Code	T113 (WHT)
Power (Watts)	5W
Color Temperature	3000K
Beam Angle	36°
Light Source	CREE CXA1304 LED
IP Level	20
Main Material	Aluminum
Body Color	Black / White



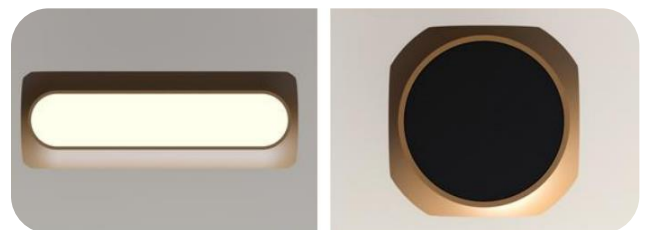
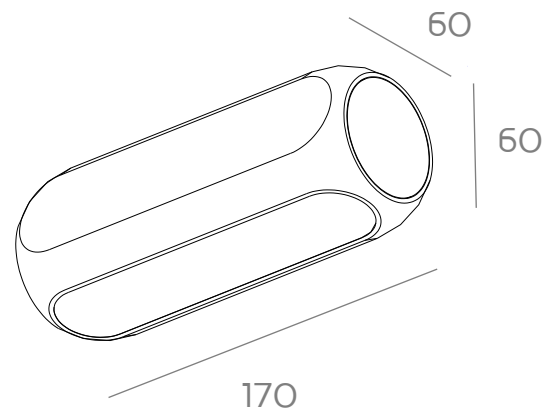
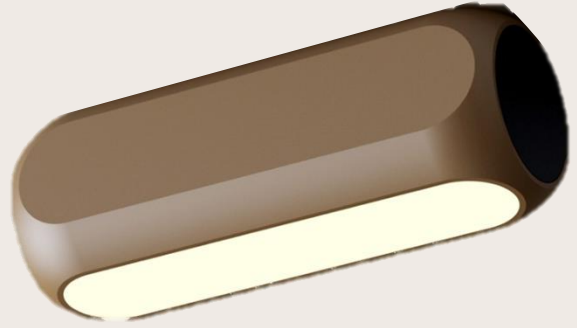
Code	N1005-120
Base	GU10
Power(Watts)	6W
Lumen	550lm
Lamp Holder	Ceramic
Light Source	GU10
Beam Angle	35°
Color Temperature	3000K
CRI \geq	80
IP Level	20
Main Material	Aluminum
Reflector Color	White
Body Color	Black / White



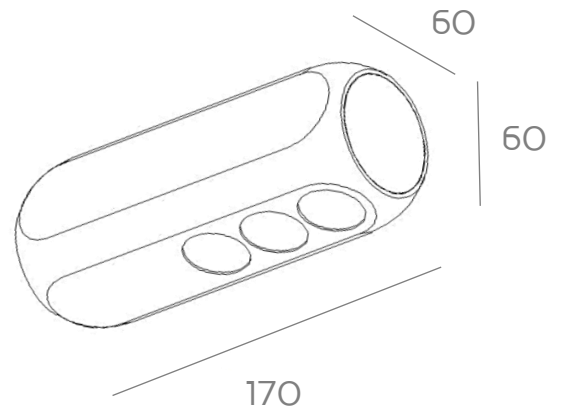
Code	T115 (WHT)
Power (Watts)	3x10.7W (32W)
Color Temperature	3000K
Beam Angle	30°
Light Source	CREE CXA1512 LED
Lumen	2522
IP Level	20
Main Material	Aluminum
Body Color	White



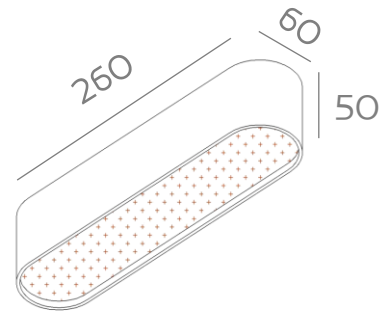
Code	LC167
Power (Watts)	15.5W
Color Temperature	3000K
Lumen	1209lm
Beam Angle	112°
CRI_≥	90
Light Source	Edison LED
IP Level	20
Input Voltage	220V
Main Material	Aluminum
Body Color	Silver Coffee + Black



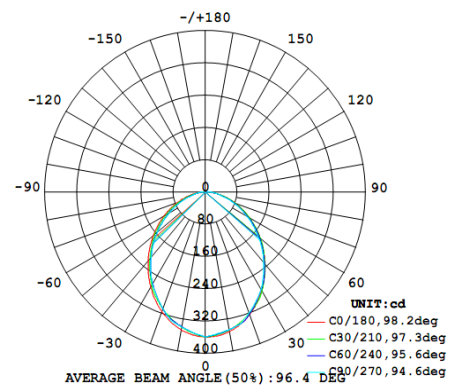
Code	LC168
Power (Watts)	15.5W
Color Temperature	3000K
Lumen	1209lm
Beam Angle	35.7°
CRI_≥	90
Light Source	Teen LED
IP Level	20
Input Voltage	220V
Main Material	Aluminum
Body Color	Silver Coffee + Black



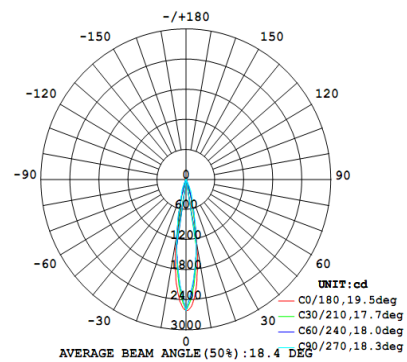
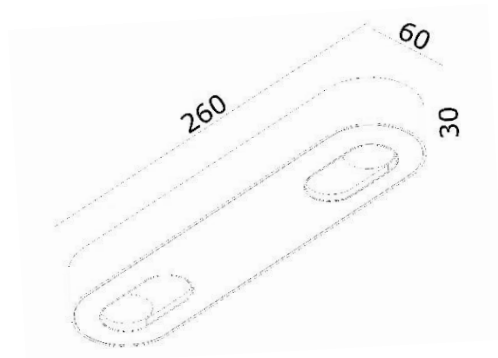
Code	LC135
Power (Watts)	10.5W
Color Temperature	3000K
Lumen	855lm
Light Source	EDS LED
CRI\geq	90
IP Level	20
Main Material	Aluminum + Acrylic + Iron
Body Color	White



LUMINOUS INTENSITY DISTRIBUTION DIAGRAM

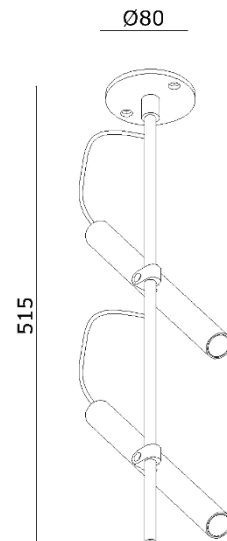


Code	LC139
Light source	TEEN LED
Power(Watts)	11W
Lumen	685lm
Color Temperature	3000K
Beam Angle	18°
CRI ≥	90
IP Level	20
Main Material	Aluminum



Surface-Mounted Light

Code	LC126 (BLK)
Power (Watts)	2x5W (10W)
Color Temperature	3000K
Light Source	TEEN LED
CRI\geq	90
IP Level	20
Main Material	Aluminum
Body Color	Black



Surface-Mounted Light

Code	C211
Input Voltage	100-130V
Power(Watts)	5W
Lumen	420lm
Color Temperature	3000K
CRI \geq	90
IP Level	20
Main Material	Aluminum
Body Color	Black

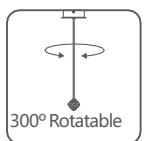


140 mm



66 mm

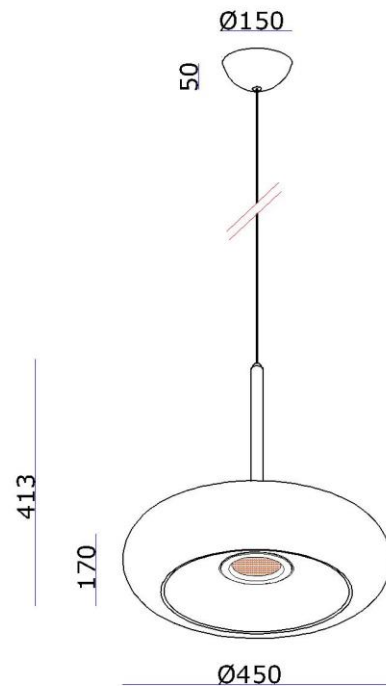
625 mm



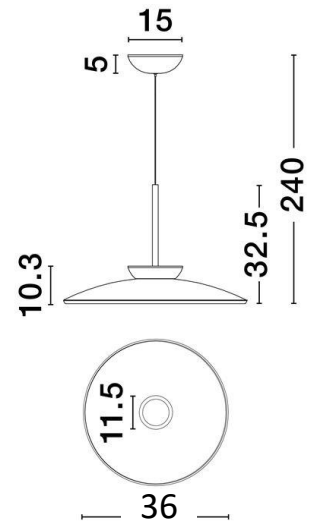
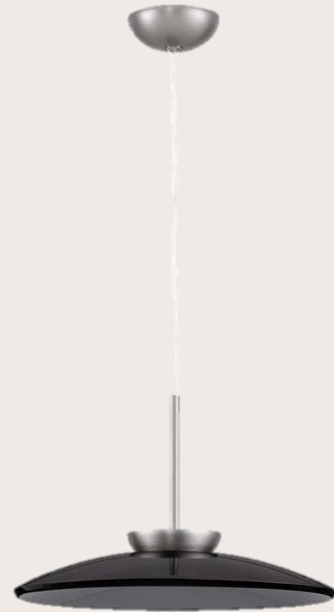


Pendant Light

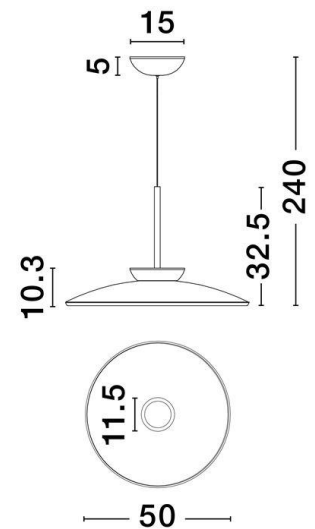
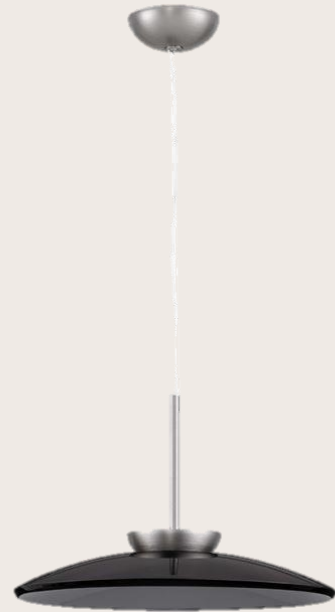
Code	LC211 (Dimmable)
Light source	TEEN& EDS LED
Power(Watts)	20W
Lumen	1561lm
Color Temperature	3000K
CRI \geq	90
IP rating	20
Main Material	Aluminum + Glass
Color	Foggy nickel + Smoky glass



Code	LC206 / LC207 (Dimmable)
Light source	TEEN LED
Power(Watts)	15W
Lumen	1104lm
Color Temperature	3000K
CRI \geq	90
IP rating	20
Main Material	Aluminum + Glass
Color	Silver coffee + Amber glass / Foggy nickel + Smoky glass



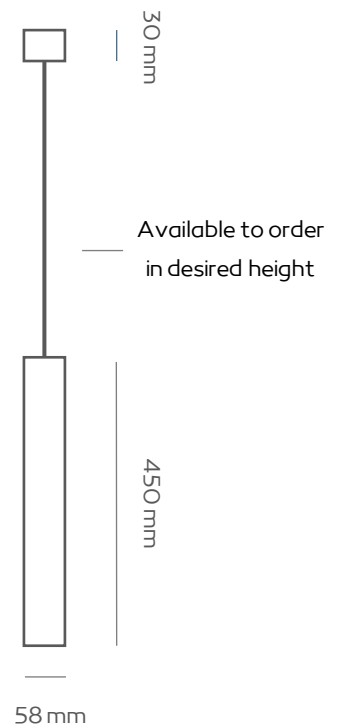
Code	LC208 / LC209 (Dimmable)
Light source	TEEN LED
Power(Watts)	18W
Lumen	1507lm
Color Temperature	3000K
CRI \geq	90
IP rating	20
Main Material	Aluminum + Glass
Color	Silver coffee + Amber glass / Foggy nickel + Smoky glass



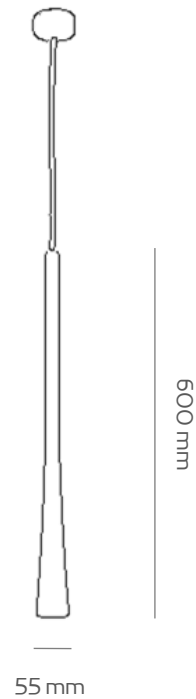
Code	LC212
Light source	Teen + Edison LED
Power(Watts)	12
Lumen	1094lm
Color Temperature	3000K
CRI \geq	90
IP rating	20
Main Material	Aluminum + Glass
Color	Foggy Nickel



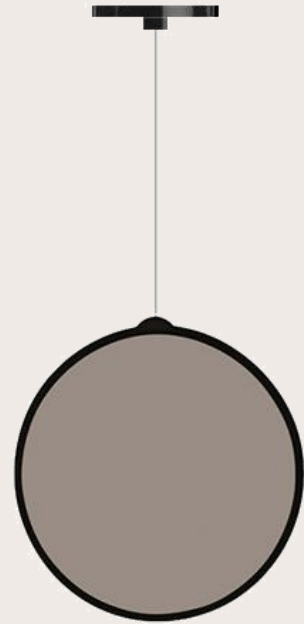
Code	N1011
Input Voltage	220-240 60MA
Power(Watts)	6W
Lumen	600lm
Base	GU10
Color Temperature	3000K
Beam Angle	35°
CRI \geq	80
IP Level	20
Main Material	Aluminum
Body Color	Black / White / Gray



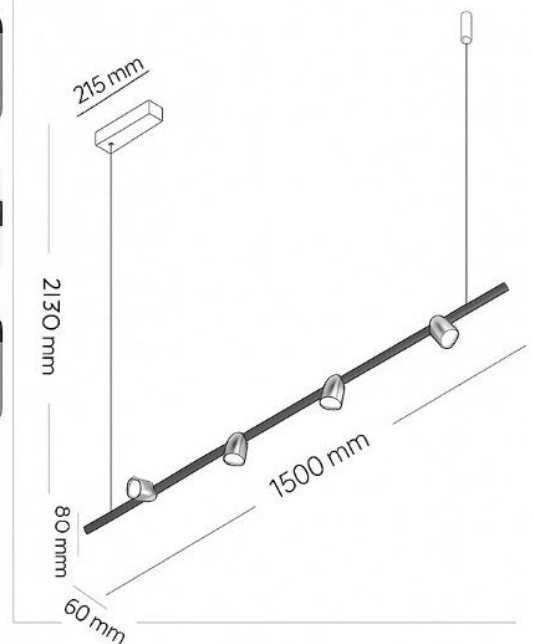
Code	LC194 / LC195 / LC196
Input Voltage	220-240V
Power(Watts)	6W
Color Temperature	3000K
CRI \geq	90
IP Level	20
Main Material	Aluminum
Body Color	Foggy Nickel anodized / Black anodized / Brush copper anodized



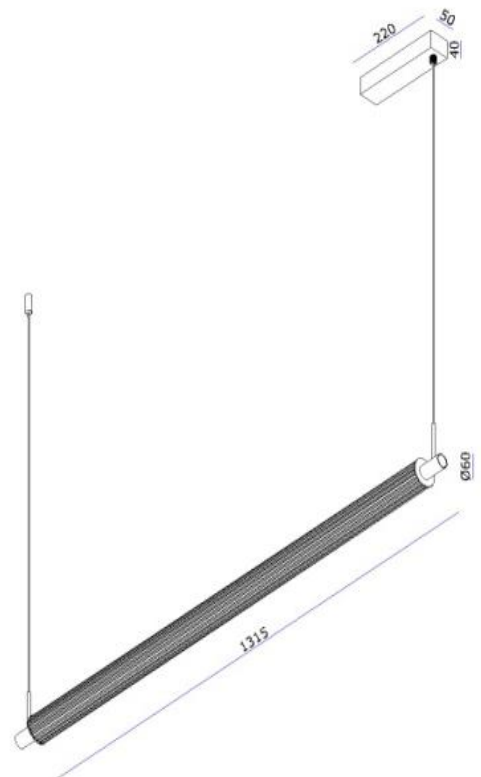
Code	LC151
Input Voltage	220V
Power(Watts)	10W
Color Temperature	3000K
Light Source	LED Strip
Lumen	696lm
Beam Angle	360°
CRI \geq	90
IP Level	20
Main Material	Aluminum
Body Color	Black



Code	LC217 (Dimmable)
Power(Watts)	22W
Color Temperature	3000K
Lumen	1960lm
IP rating	20
Light Source	TEEN LED
Main Material	Aluminum
Color	Head: Foggy Nickel Tube and canopy: Black



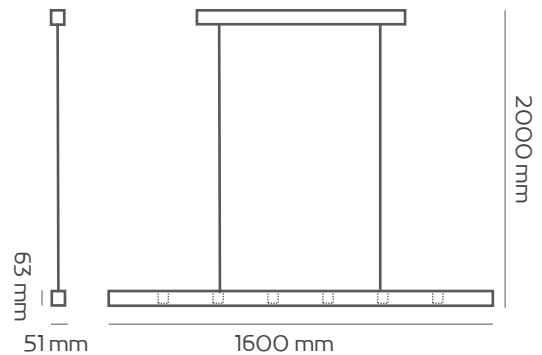
Code	LC213
Light source	Edison LED
Power(Watts)	32W
Dimension	Φ60x1315
Color Temperature	3000K
CRI ≥	90
IP rating	20
Main Material	Aluminum + Glass
Color	Foggy Nickel



Code	LC121 (White)
Input Voltage	220-240V
Power(Watts)	6x4.5W (27W)
Color Temperature	3000K
CRI \geq	90
IP Level	20
Main Material	Aluminum
Dimmable	50% to 100%
Body Color	White

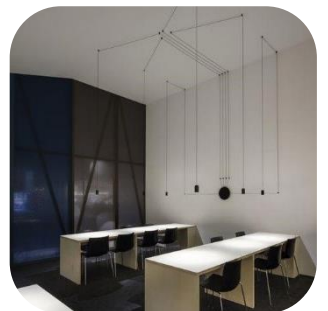
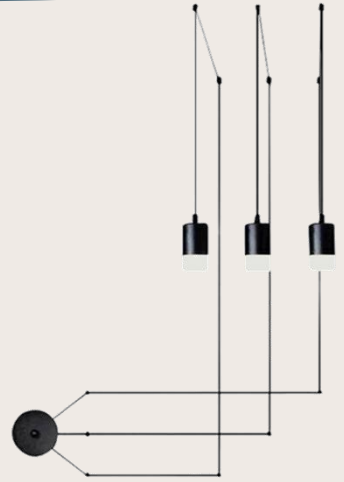


White

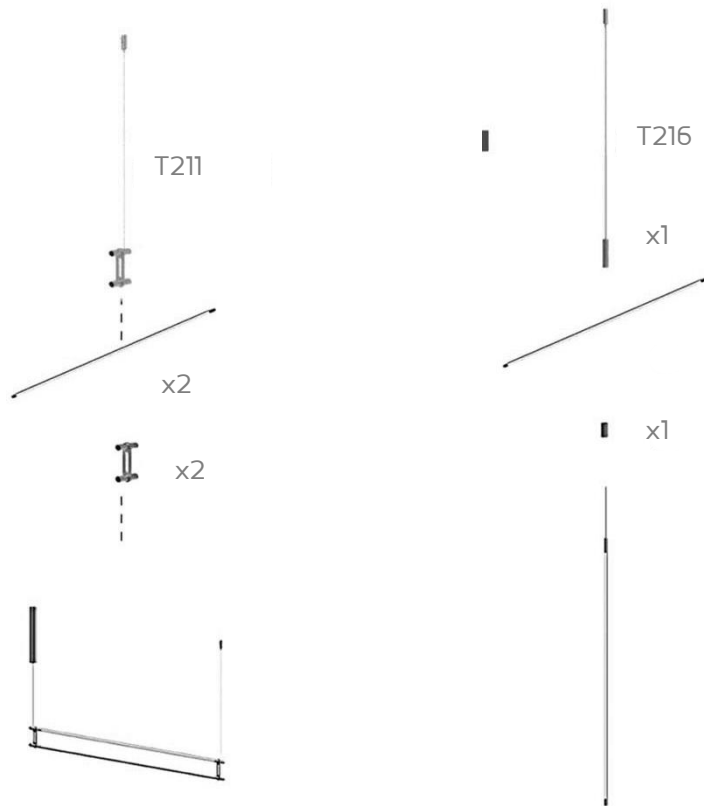




Code	Cable Pendant Light
Base	G9
Included	Rosette & Cable Holder
IP Level	20
Lamp Shade	Glass
Body Color	Black



Description of accessories



Code LC106 (White) / LC107 (Black)

Input Voltage 220-240V

Power(Watts) 136W

Color Temperature 3000K

CRI \geq 90

IP Level 20

Main Material Aluminum

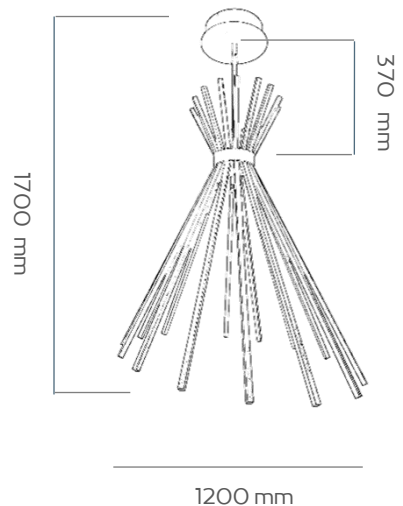
Body Color Black / White



White



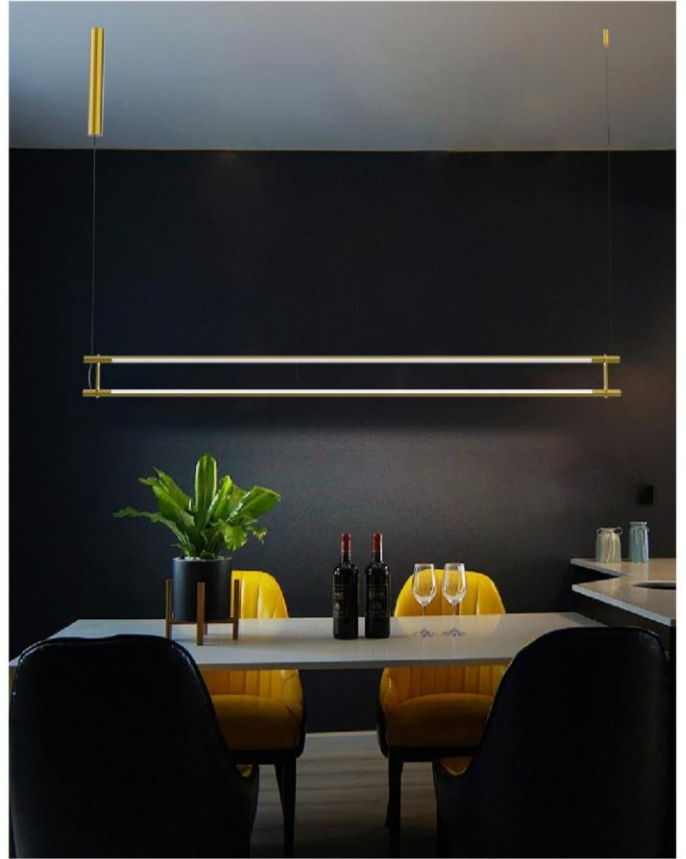
Black



Vertical Installation



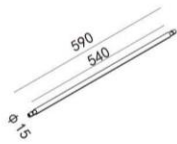
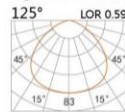
Tube System



LED Power 5W

Colour Temp	Luminous
2700/3000K	550lm
4000/5000K	600lm

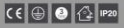
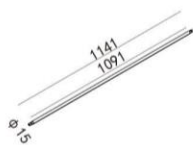
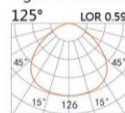
Light distribution for 3000k



LED Power 10W

Colour Temp	Luminous
2700/3000K	1200lm
4000/5000K	1250lm

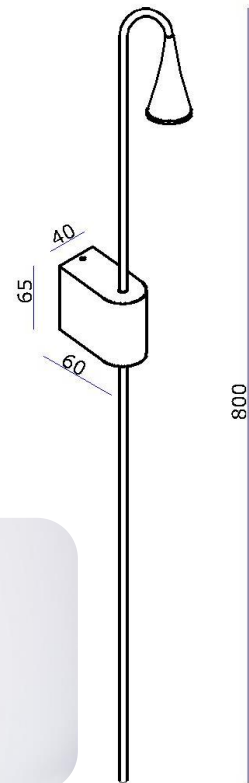
Light distribution for 3000k



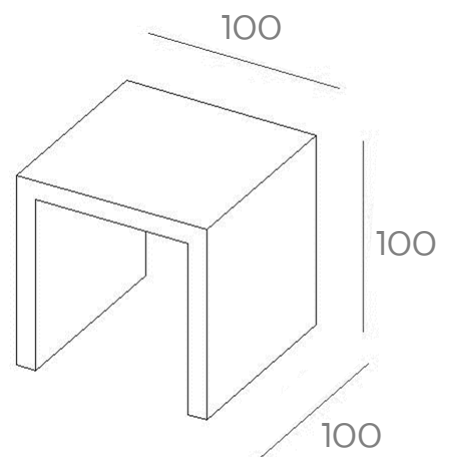


Wall-mounted Light

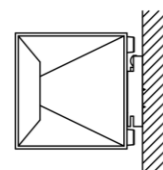
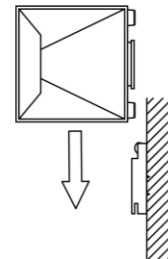
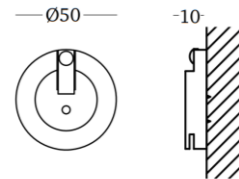
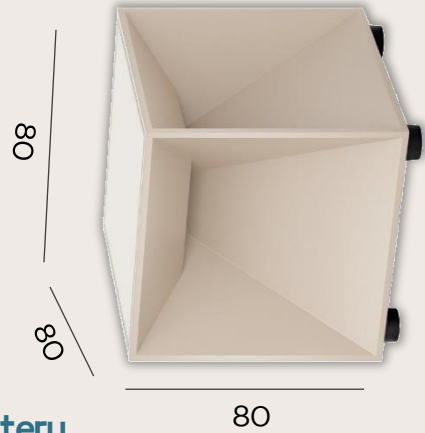
Code	LC119 (BLK) / LC197 (WHT)
Power (Watts)	3.2W
Light Source	LED Teen
Color Temperature	3000K
Lumen	242lm
Beam Angle	38°
CRI_≥	90
IP Level	54
Input Voltage	230V
Main Material	Die-Cast Aluminum
Body Color	Black / White



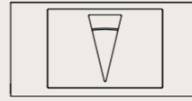
Code	LC130
Power (Watts)	6.3W
Color Temperature	3000K
Light Source	Bridgelux LED
CRI\geq	90
IP Level	20
Main Material	Aluminum
Body Color	White



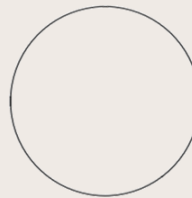
Code	Cubox Mini
Power (Watts)	2.2W
Color Temperature	3000K/2700K
Body Material	Die-Cast Aluminum
IP Level	54
CRI \geq	80
Work Time	8-9h
Charge Time	4-5h
Battery	1x3000mAh Lithium Battery
Dimmable	Touch Switch
Body Color	Sand



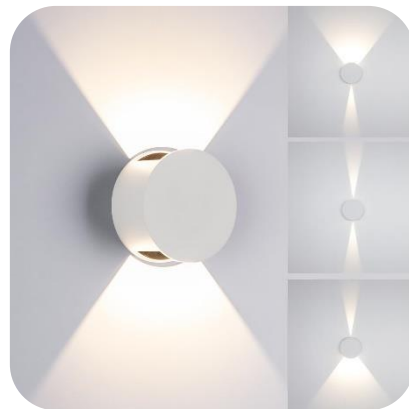
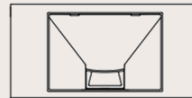
Code	C265
Power (Watts)	5W
Color Temperature	3000K
Lumen	500lm
CRI_≥	90
IP Level	20
Input Voltage	220V
Main Material	ABS
Body Color	White



115



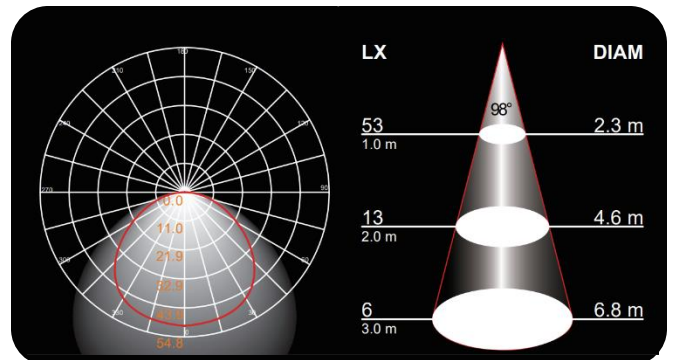
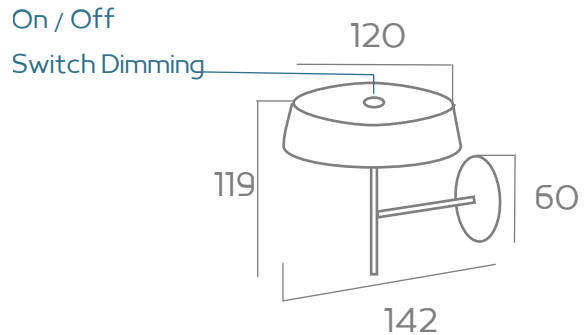
57



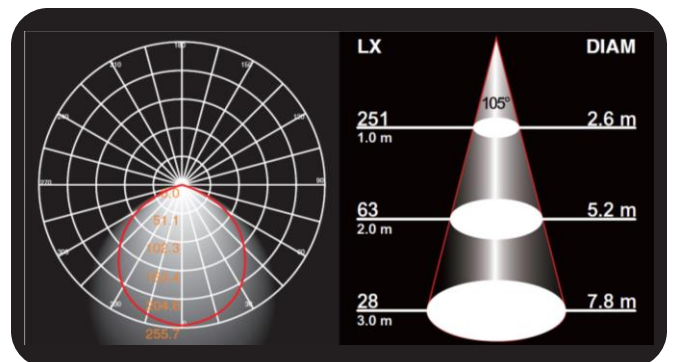
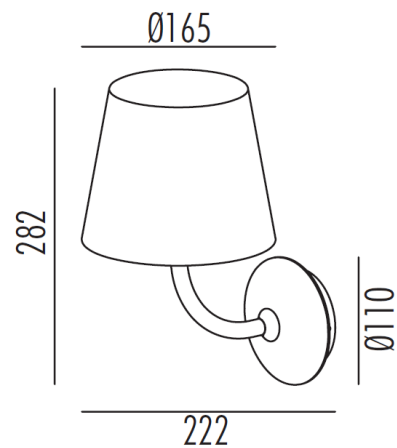
Code	H200
Power (Watts)	2.2W
Color Temperature	3000K
Body Material	Die-Cast Aluminum
IP Level	54
CRI \geq	84
Work Time	12h
Charge Time	5-8h
Battery	2x2200mAh Lithium Battery
Dimmable	Touch Switch
Body Color	Black



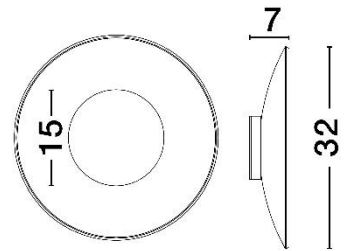
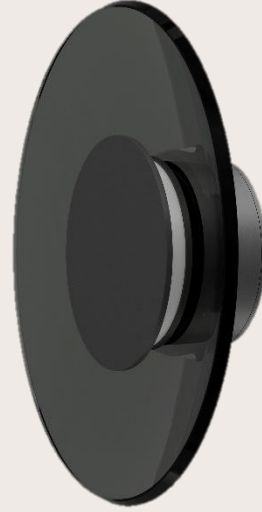
Code	H196
Power (Watts)	2.2W
Color Temperature	3000K
Lumen	195lm
Beam Angle	98°
CRI_≥	85
IP Level	54
Work Time	12h
Charge Time	5-7h
Battery	2x2200mAh Lithium Battery
Main Material	Die-Cast Aluminum
Body Color	Shining Black



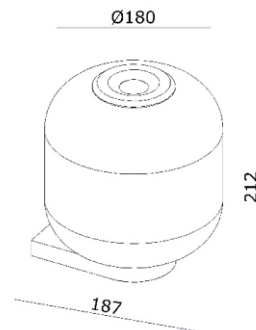
Code	H155 (Dark Gray) H156 (White)
Power (Watts)	7W
Color Temperature	3000K
Lumen	555lm
Beam Angle	105°
CRI_≥	80
IP Level	65
Input Voltage	220-240V
Main Material	Die-Cast Aluminum
Body Color	Dark Gray / White



Code	LC203	(Dimmable)
Power (Watts)	18W	
Light Source	EDS LED	
Color Temperature	3000K	
Lumen	158lm	
CRI\geq	90	
IP Level	20	
Main Material	Aluminum + Glass	
Color	Foggy nickel + Smoky glass	



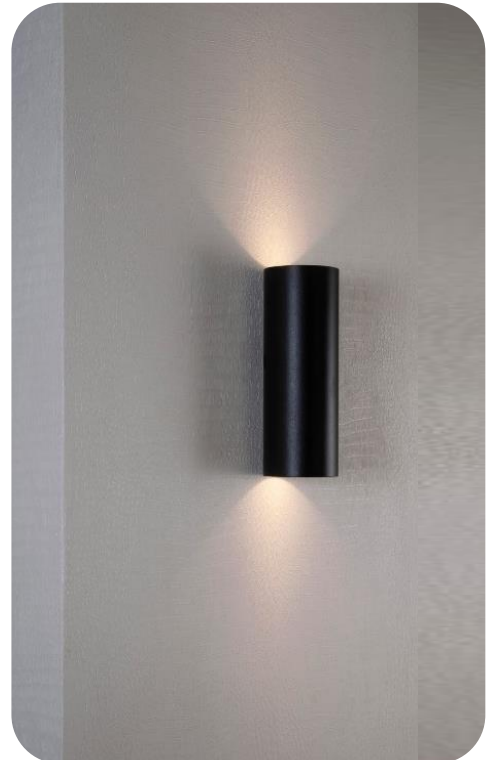
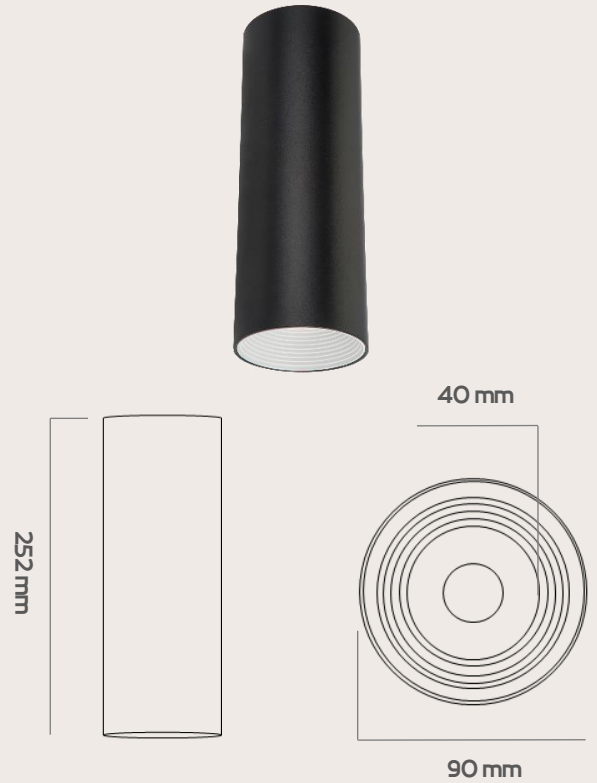
Code	LC216 (Dimmable)
Power (Watts)	12W
Light Source	Teen + Edison LED
Color Temperature	3000K
CRI\geq	90
IP Level	20
Main Material	Aluminum + Glass
Color	Foggy Nickel + Smoky glass



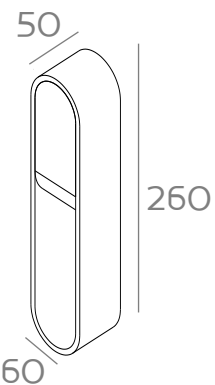
Code	N1009
Base	GU10
Power(Watts)	2X6W (12W)
Lumen	2x550lm
Lamp Holder	Ceramic
Light Source	GU10
Beam Angle	35°
Color Temperature	3000K
CRI \geq	80
IP Level	20
Main Material	Aluminum
Body Color	BLK / WHT



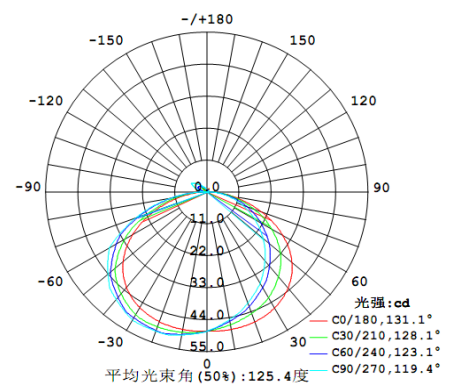
Code	N1014
Base	GU10
Power(Watts)	2X6W (12W)
Lumen	2x550lm
Lamp Holder	Ceramic
Light Source	GU10
Beam Angle	35°
Color Temperature	3000K
CRI \geq	80
IP Level	20
Main Material	Aluminum, Plastic
Reflector Color	WHT
Body Color	BLK / WHT



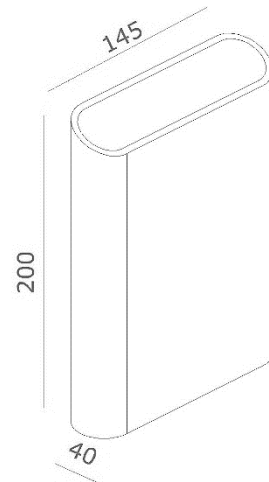
Code	LC140
Power (Watts)	5W
Color Temperature	3000K
Lumen	175.47lm
Light Source	Edison LED
CRI\geq	90
IP Level	20
Beam Angle	125.4°
Main Material	Aluminum
Body Color	White



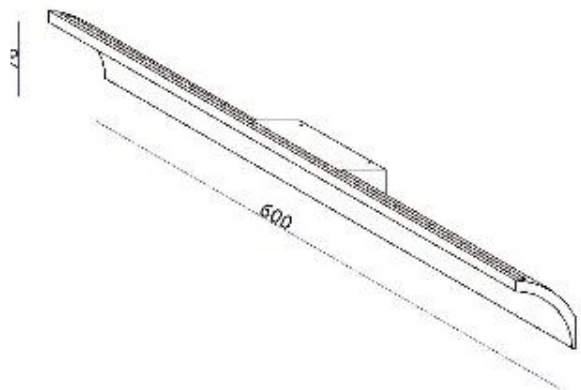
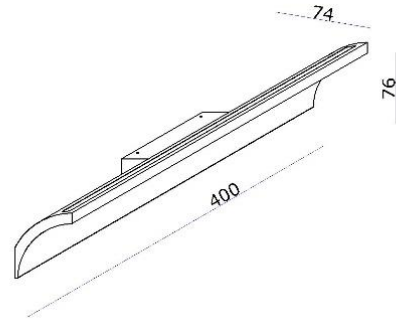
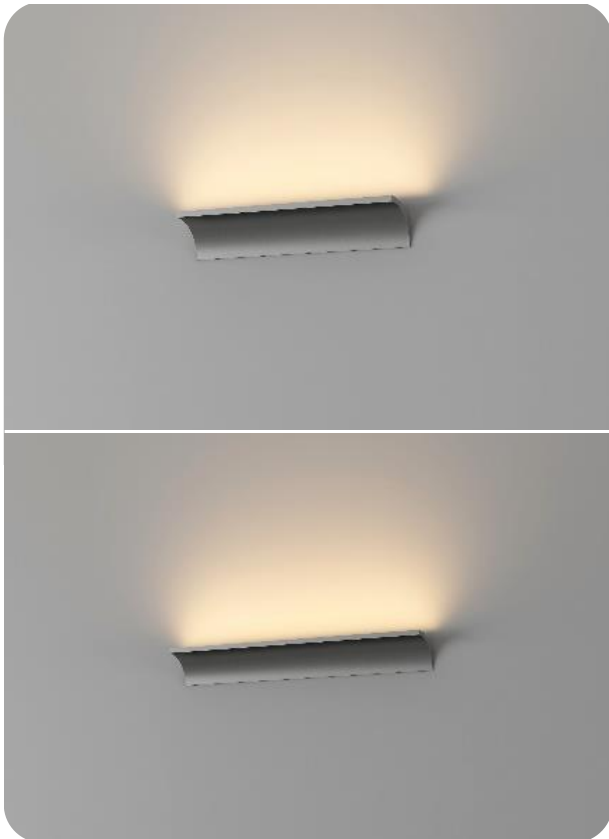
LUMINOUS INTENSITY DISTRIBUTION DIAGRAM



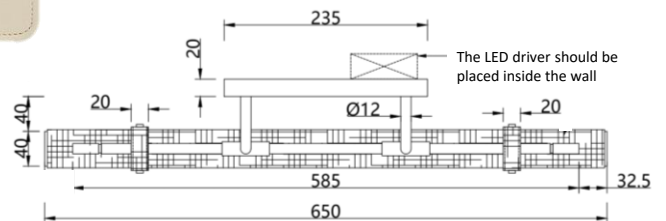
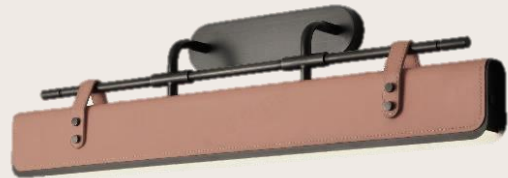
Code	LC220 (Dimmable)
Power (Watts)	2x6W
Color Temperature	3000K
Lumen	1050lm
Light Source	Teen LED
CRI\geq	90
IP rating	65
Main Material	Die-Cast Aluminum
Body Color	Matt Black



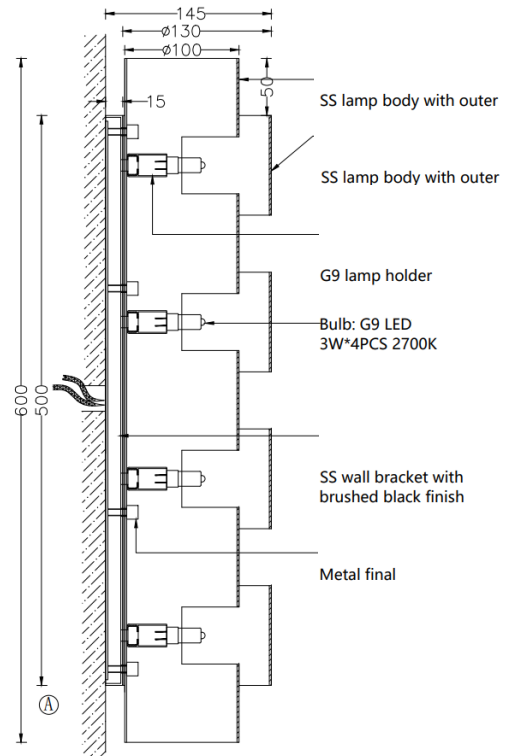
Code	LC221 (40cm) / LC222 (60cm)
Power (Watts)	AC10W / AC15W
Light Source	Edison LED
Color Temperature	3000K
Lumen	1208lm / 1350lm
CRI\geq	90
IP Level	20
Input Voltage	220V
Main Material	Die-Cast Aluminum
Body Color	Foggy Nickel



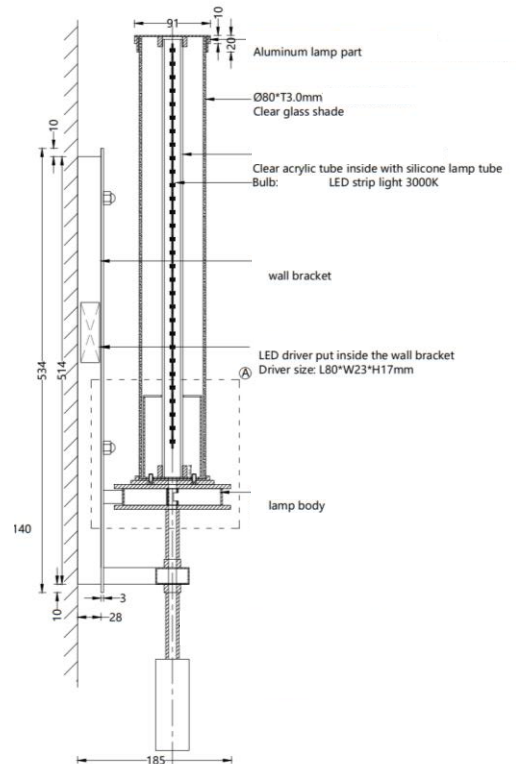
Code	JH034 (Snow White Leather) / JH035 (Honey Leather)
Power (Watts)	12W
Light Source	LED bulb
Color Temperature	3000K
IP Level	IP20
Dimension	W650*E100*H180MM
Main Material	Stainless steel + Leather
Body Color	Brushed dark bronze + Honey Leather / Snow White Leather



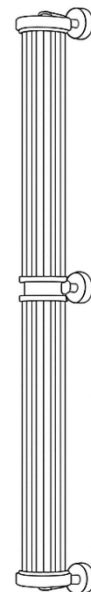
Code	JH001
Power (Watts)	4x3W (12W)
Light Source	G9
Color Temperature	3000K
IP Level	IP20
Main Material	Steel + Glass
Body Color	Black + Rose Gold



Code	JH017 (Brass) / JH018 (Black)
Power (Watts)	8W
Light Source	LED
Color Temperature	3000K
IP Level	IP20
Main Material	Steel + Glass
Body Color	Brass / Black

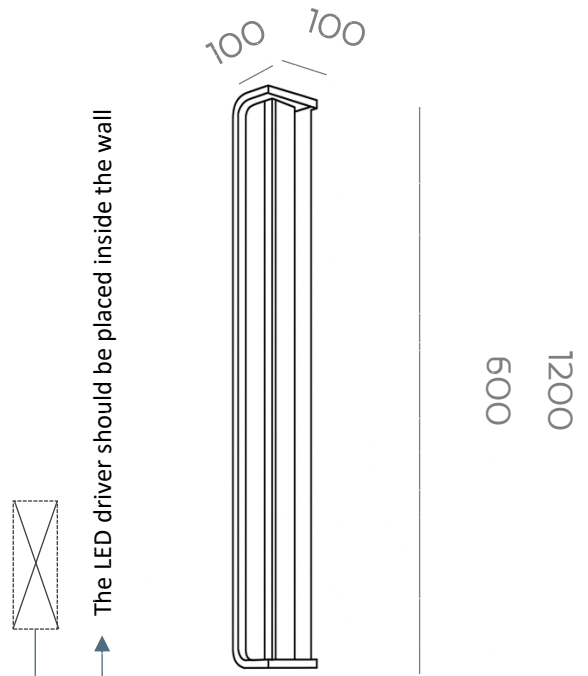


Code	JH031
Power (Watts)	30W
Light Source	LED bulb
Color Temperature	3000K
IP Level	IP20
Dimension	W102*E150*H1000MM
Main Material	Stainless steel + Glass
Body Color	Brushed champagne gold finish

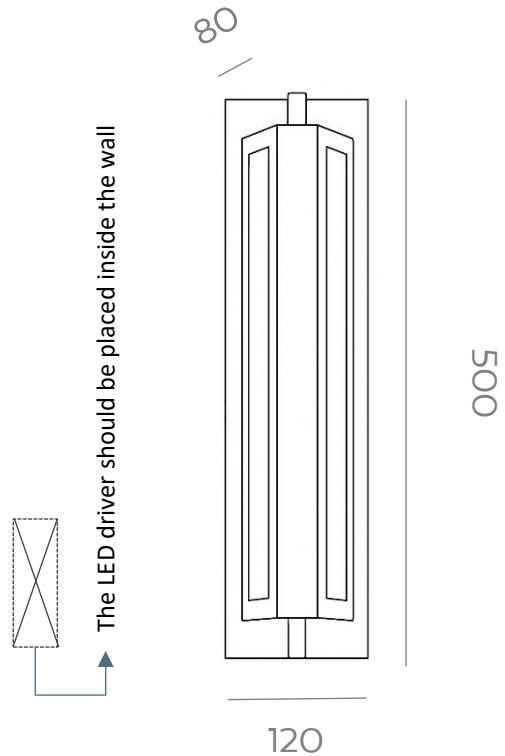
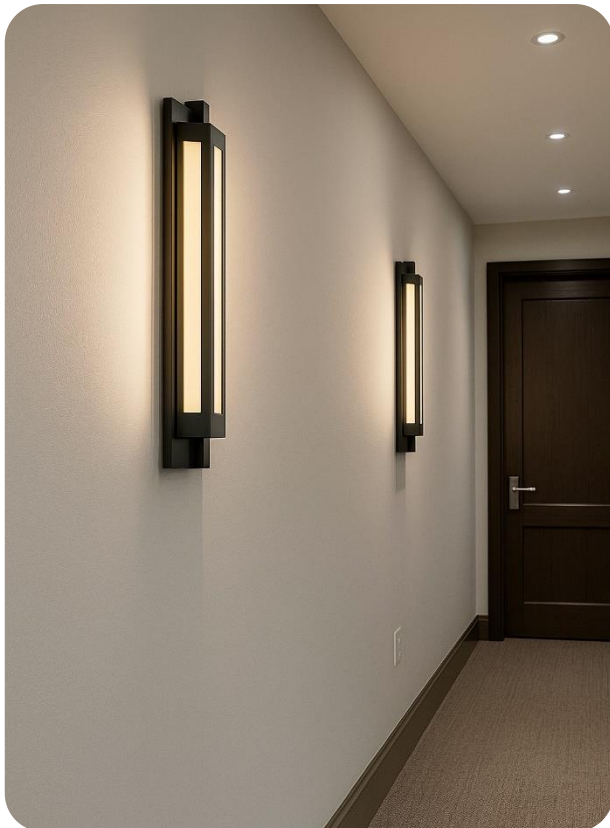


LED Driver
put inside the
base plate

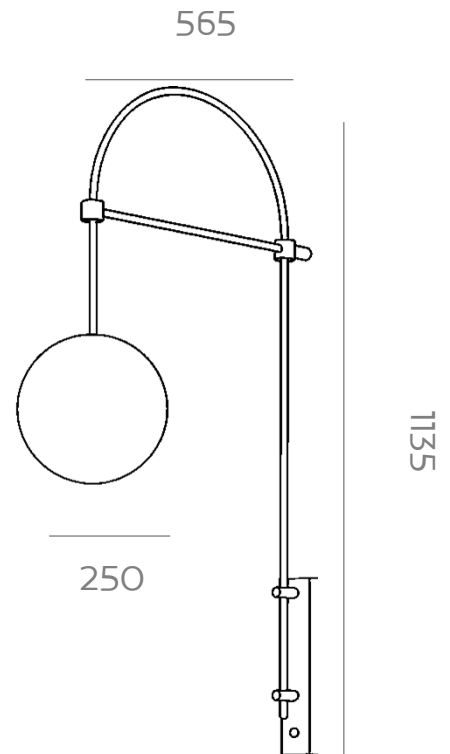
Code	JH002 (40W) / JH003 (20W)
Power (Watts)	40W / 20W
Light Source	Double LED Strip Light
Color Temperature	3000K
IP Level	IP20
Main Material	Steel + Acrylic Shade
Body Color	Black



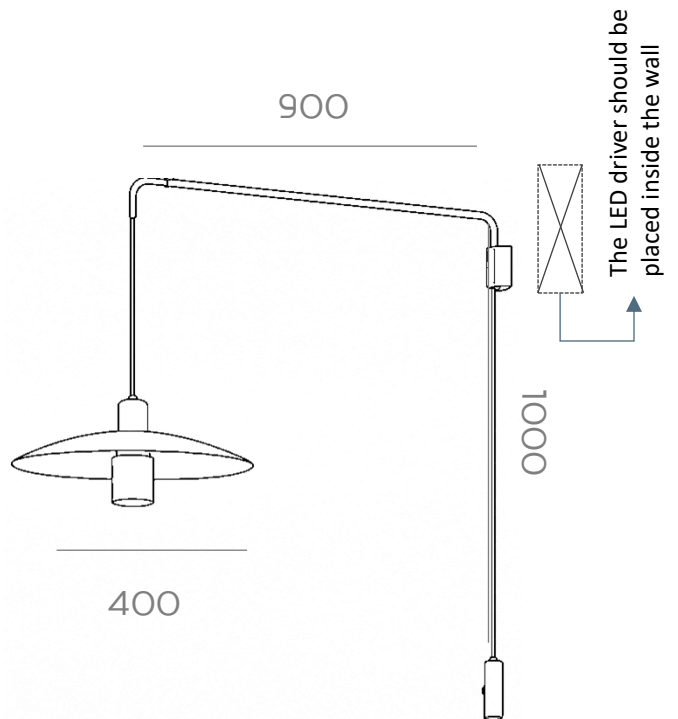
Code	JH004
Power (Watts)	6W
Light Source	LED
IP Level	IP20
Color Temperature	3000K
Main Material	Steel + Acrylic Shade
Body Color	Black



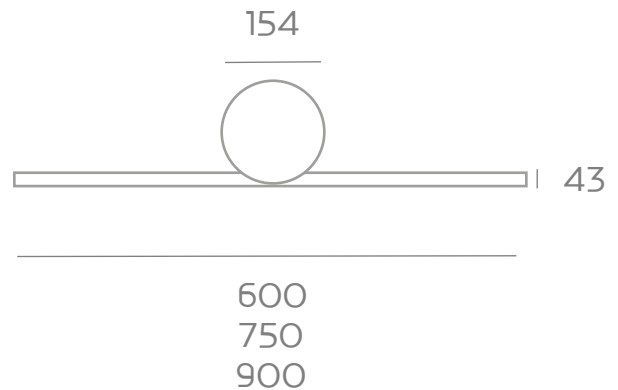
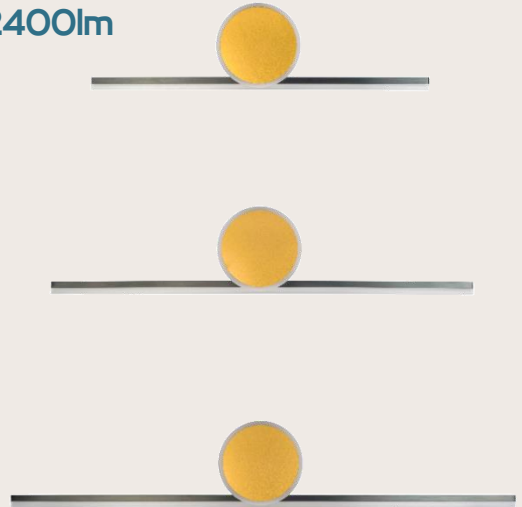
Code	JH024
Power (Watts)	4W
Base	E14
Color Temperature	3000K
IP Level	IP20
Main Material	Steel + Glass
Body Color	Black



Code	JH030
Power (Watts)	5W
Light Source	COB
Color Temperature	3000K
IP Level	IP20
Main Material	Steel + Aluminum
Body Color	Copper

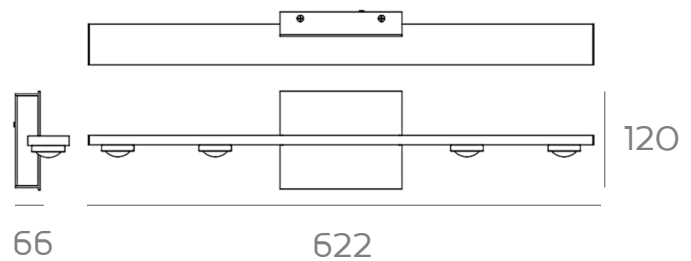


Code	C257 / C258 / C259
Power (Watts)	14W / 21W / 24W
Length	600MM / 750MM / 900MM
Lumen	1400lm / 2100lm / 2400lm
Color Temperature	3000K
CRI_≥	90
IP Level	20
Main Material	PC + Aluminum
Body Color	Gold + Black

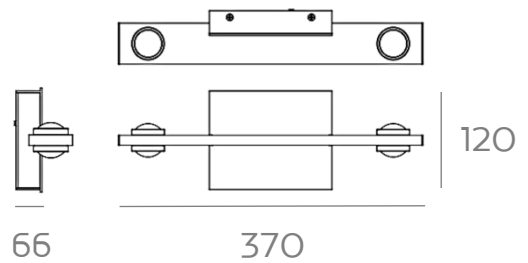




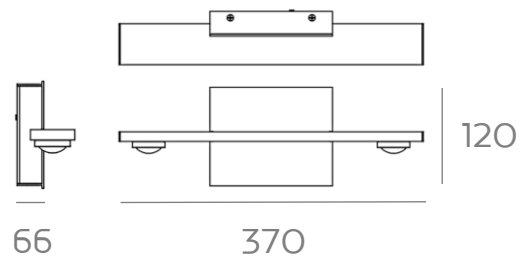
Code	C220 (BLK) / C261 (GOLD)
Power (Watts)	4x2.75W (11W)
Color Temperature	3000K
Lumen	840lm
LED Rated Life	50000h
CRI_≥	90
IP Level	20
Voltage	100-130V
Main Material	Aluminum
Body Color	Black / Gold



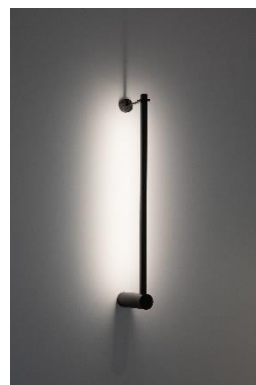
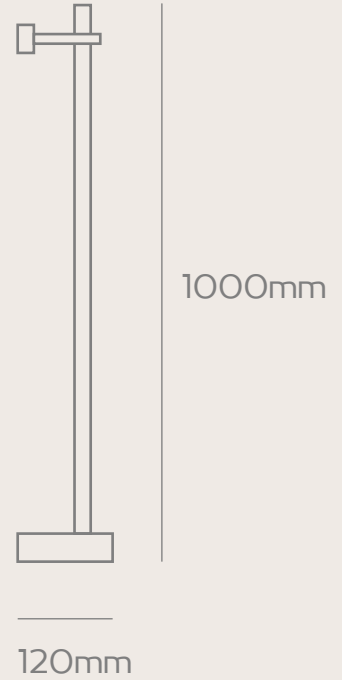
Code	C260 (GOLD)
Power (Watts)	4x2.75W (11W)
Color Temperature	3000K
Lumen	840lm
LED Rated Life	50000h
CRI_≥	90
IP Level	20
Voltage	100-130V
Main Material	Aluminum
Body Color	Gold



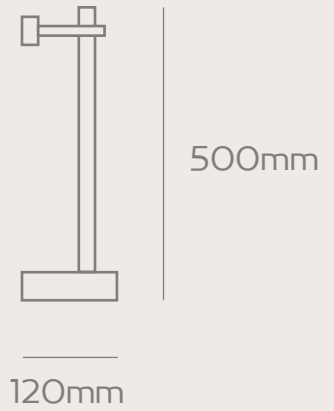
Code	C262 (GOLD)
Power (Watts)	2.x2.75W (6W)
Color Temperature	3000K
Lumen	420lm
LED Rated Life	50000h
CRI_≥	90
IP Level	20
Voltage	100-130V
Main Material	Aluminum
Body Color	Gold



Code	N1027 (1000mm)
Power (Watts)	14W
Color Temperature	3000K
Beam Angle	120°
IP Level	20
Voltage	DC 24 V
Main Material	Aluminum
Body Color	BLACK / WHITE



Code	N1028 (500mm)
Power (Watts)	7W
Color Temperature	3000K
Beam Angle	120°
IP Level	20
Voltage	DC 24 V
Main Material	Aluminum
Body Color	BLACK / WHITE

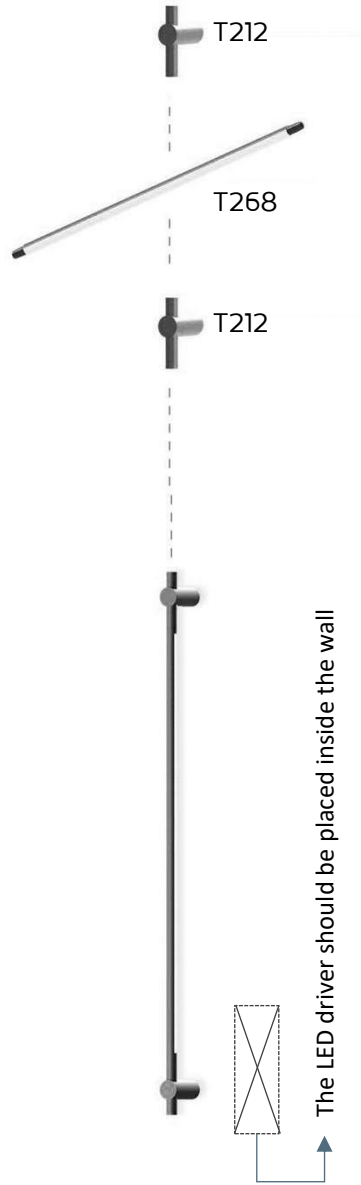
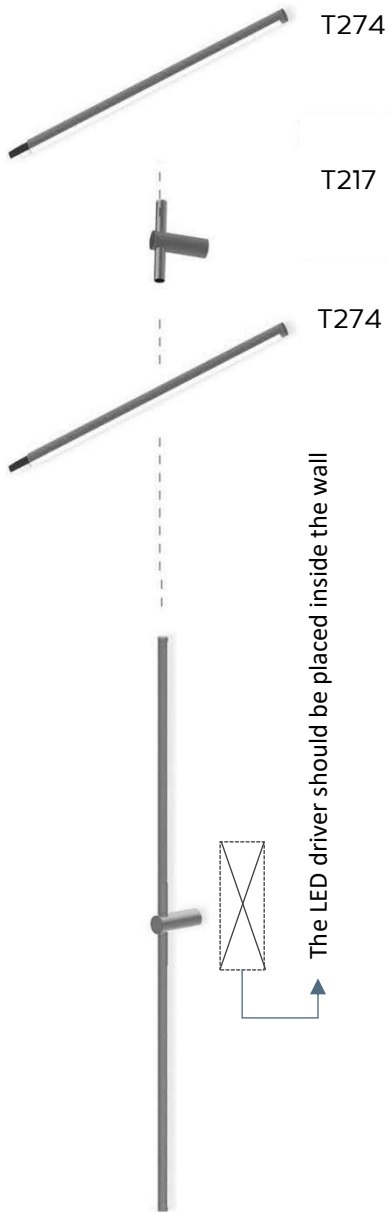




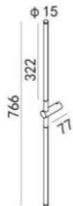


Tube System

Description of Accessories

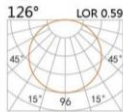


LED Power 6W

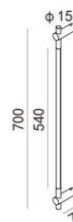


Colour Temp	Luminous
2700/3000K	700lm
4000/5000K	750lm

Light distribution for 3000k

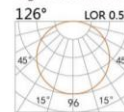


LED Power 5W



Colour Temp	Luminous
2700/3000K	550lm
4000/5000K	600lm

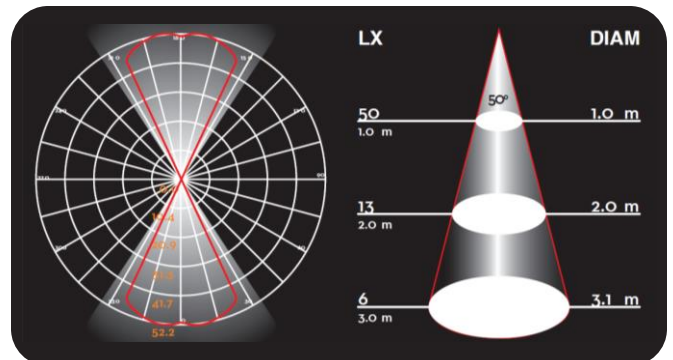
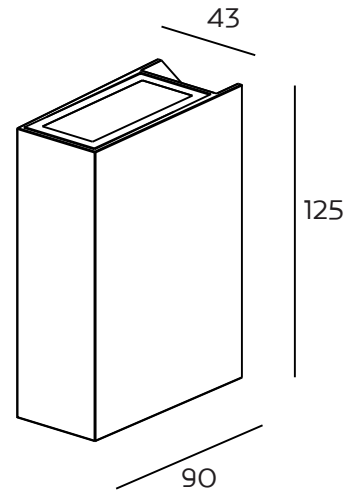
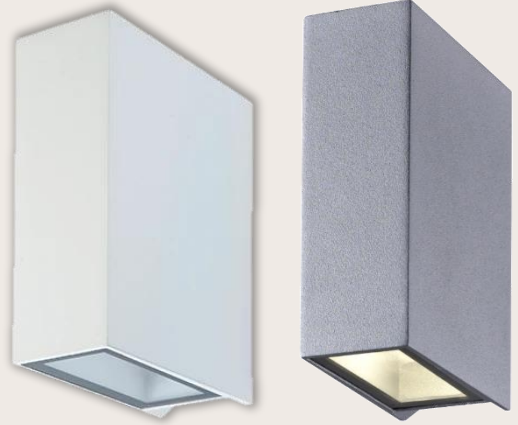
Light distribution for 3000k



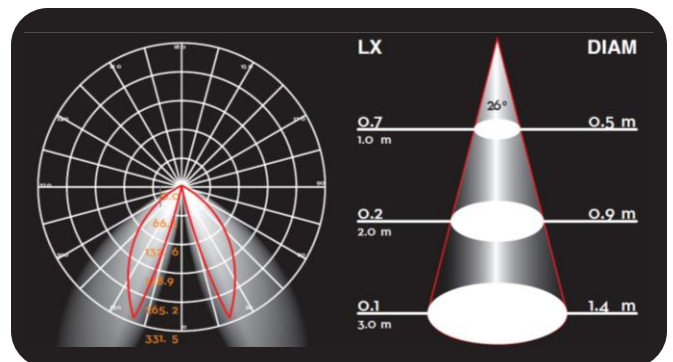
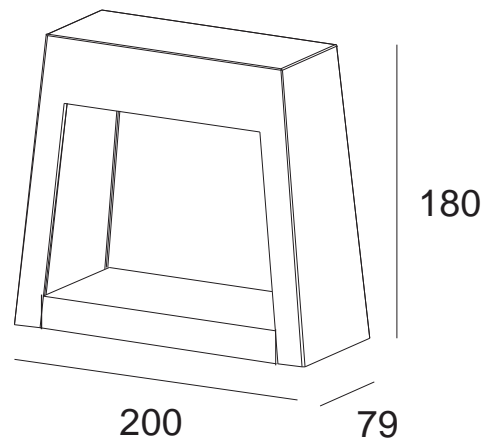


NOORAN

Code	H116 (Dark Gray) / H216 (White)
Power (Watts)	2x4W (8W)
Color Temperature	3000K
Lumen	320lm
Beam Angle	50°
CRI ≥	80
IP Level	54
Input Voltage	220-240V
Main Material	Die-Cast Aluminum
Body Color	Dark Gray / White



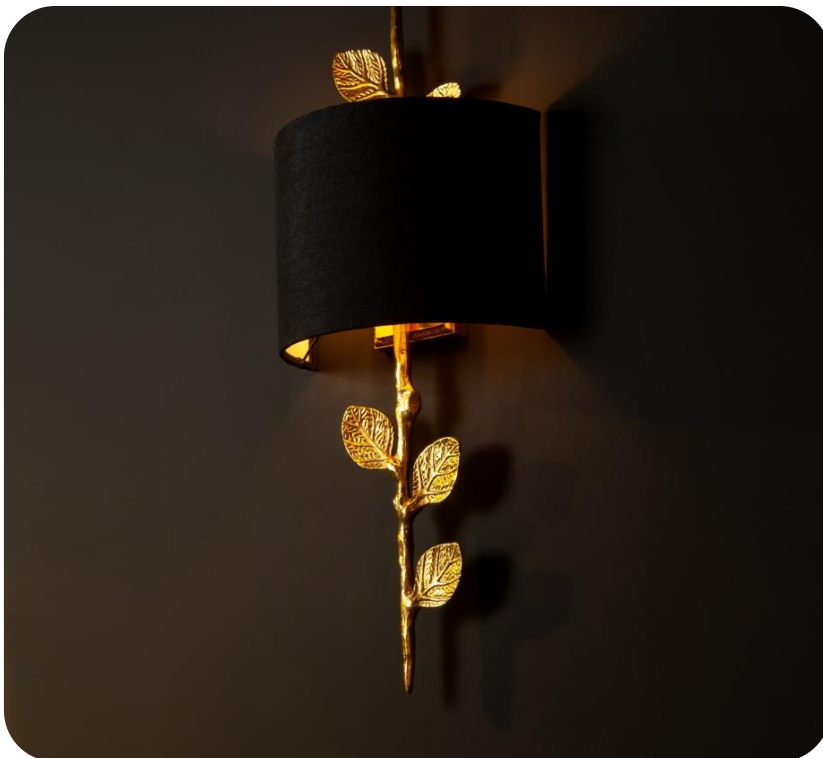
Code	H160
Power (Watts)	18W
Color Temperature	3000K
Lumen	612lm
Beam Angle	28°
CRI	80
IP rating	65
Input Voltage	220-240V
Main Material	Die-Cast Aluminum
Body Color	Dark Gray



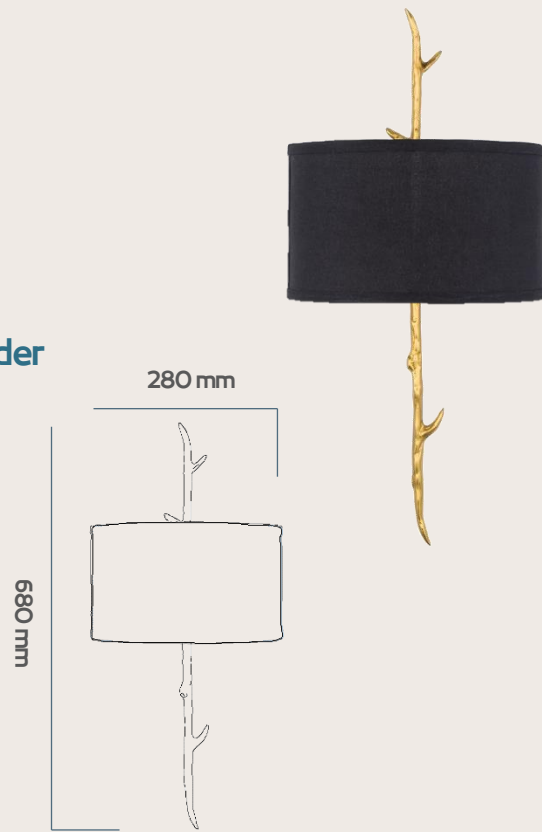


Classic Wall Light

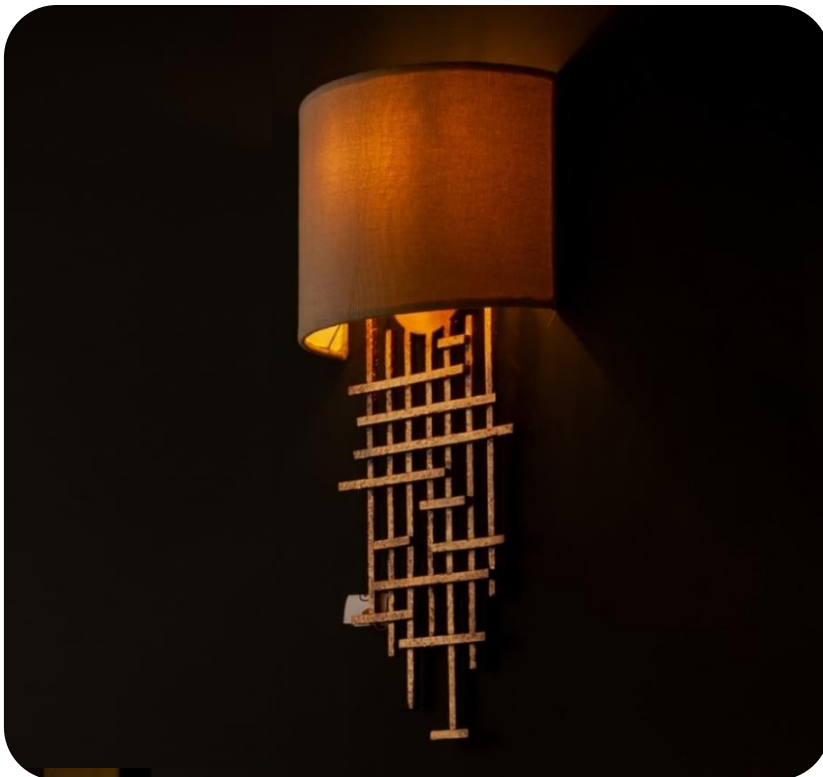
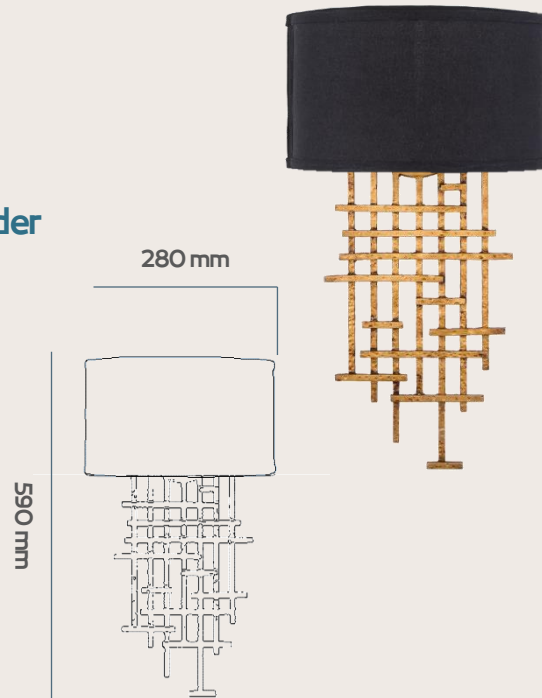
Code	N2001
Base	1xE14
Main Material	Brass
Shade Material	Fabric
Body Color	Gold / Silver
Shade Color	Free to Order
IP Level	20



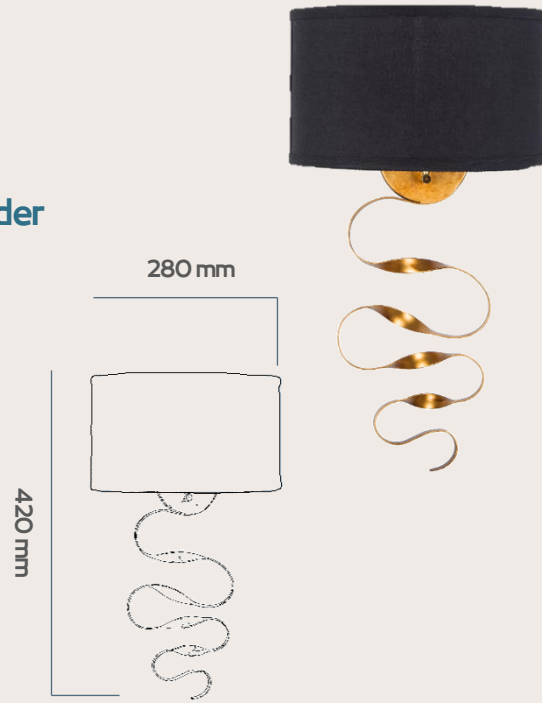
Code	N2002
Base	1xE14
Main Material	Brass
Shade Material	Fabric
Body Color	Gold
Shade Color	Free to Order
IP Level	20



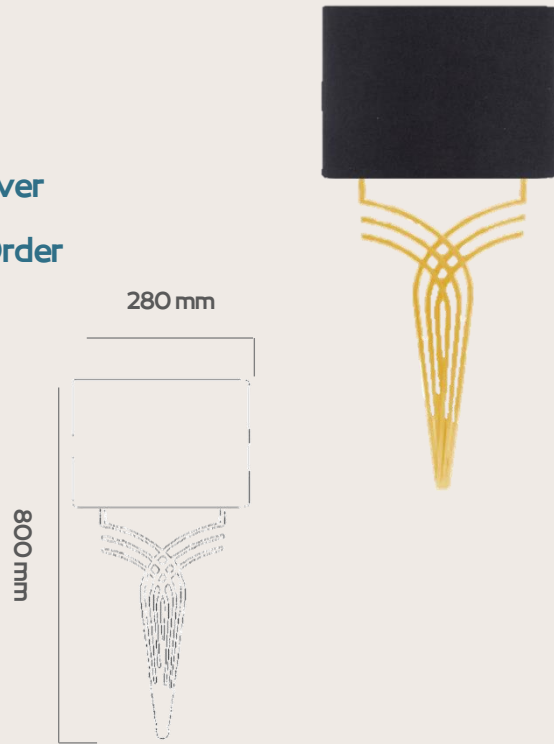
Code	N2004
Base	1xE14
Main Material	Iron
Shade Material	Fabric
Body Color	Gold
Shade Color	Free to Order
IP Level	20



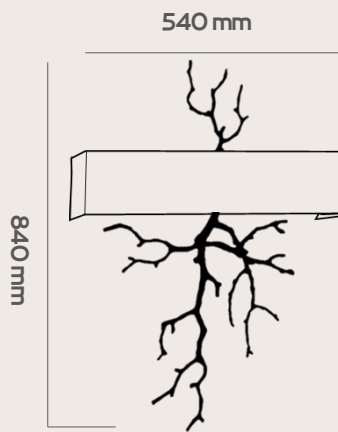
Code	N2007
Base	1xE27
Main Material	Iron
Shade Material	Fabric
Body Color	Gold
Shade Color	Free to Order
IP Level	20



Code	N2009
Base	1xE14
Main Material	Iron
Shade Material	Fabric
Body Color	Gold / Silver
Shade Color	Free to Order
IP Level	20



Code	N2006
Base	2xE14
Main Material	Brass
Shade Material	Iron
Body Color	Gold
Shade Color	BLK
IP Level	20

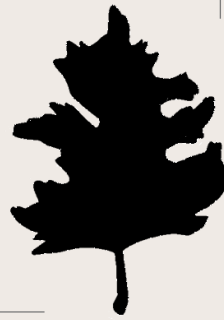


Code	N2005
Base	5xG9
Main Material	Iron
Shade Material	Aluminum
Body Color	Gold
Shade Color	Gold
IP Level	20



390 mm

560 mm

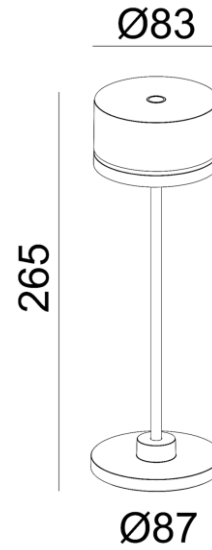




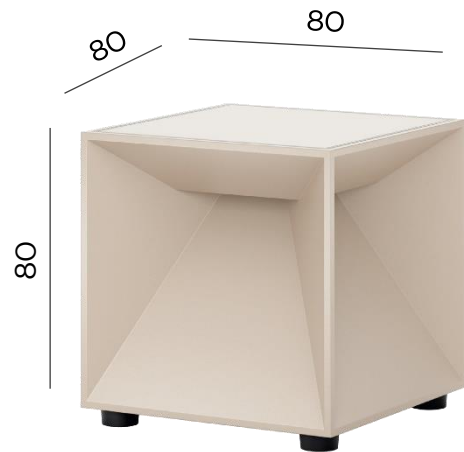
Stand and Table Light



Code	Duplo
Power (Watts)	2.2W
Color Temperature	3000K/2700K
Body Material	Die-Cast Aluminum
IP Level	54
CRI \geq	80
Work Time	7-8h
Charge Time	4-5h
Battery	1x3000mAh Lithium Battery
Dimmable	Touch Switch
Body Color	White/Sand



Code	Cubox Mini
Power (Watts)	2.2W
Color Temperature	3000K/2700K
Body Material	Die-Cast Aluminum
IP Level	54
CRI \geq	80
Work Time	8-9h
Charge Time	4-5h
Battery	1x3000mAh Lithium Battery
Dimmable	Touch Switch
Body Color	Sand



FlexMood

3000 K
Warm White



2700 K
Extra Warm White



Code	Pinup Mini
Power (Watts)	1.8W
Color Temperature	3000K/2700K
Body Material	Die-Cast Aluminum
IP Level	54
CRI \geq	80
Work Time	6-7h
Charge Time	2-3h
Battery	1x2200mAh Lithium Battery
Dimmable	Touch Switch
Body Color	White/Sand/Sage



Code	Pinup Maxi
Power (Watts)	2.2W
Color Temperature	3000K/2700K
Body Material	Die-Cast Aluminum
IP Level	54
CRI \geq	80
Work Time	11-12h
Charge Time	6-7h
Battery	2x2200mAh Lithium Battery
Dimmable	Touch Switch
Body Color	Black/White/Sand/Sage

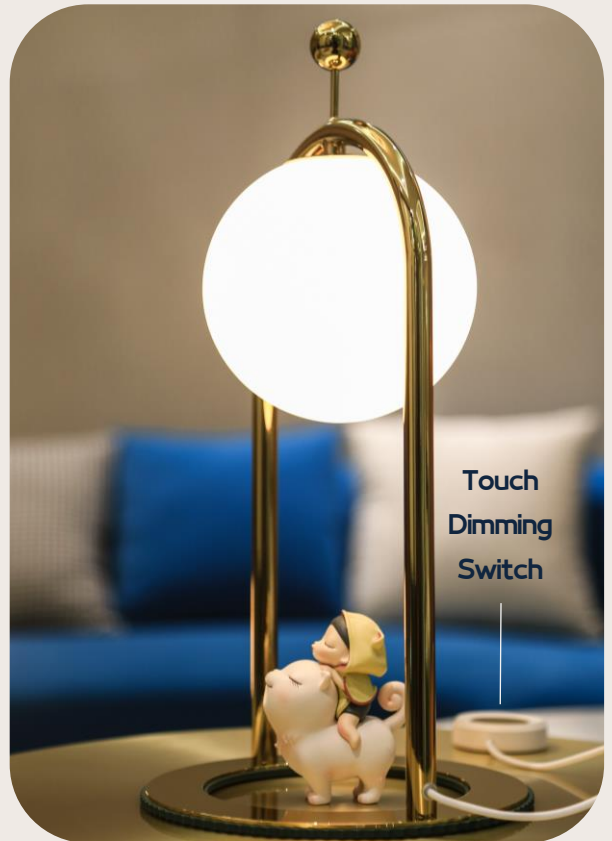
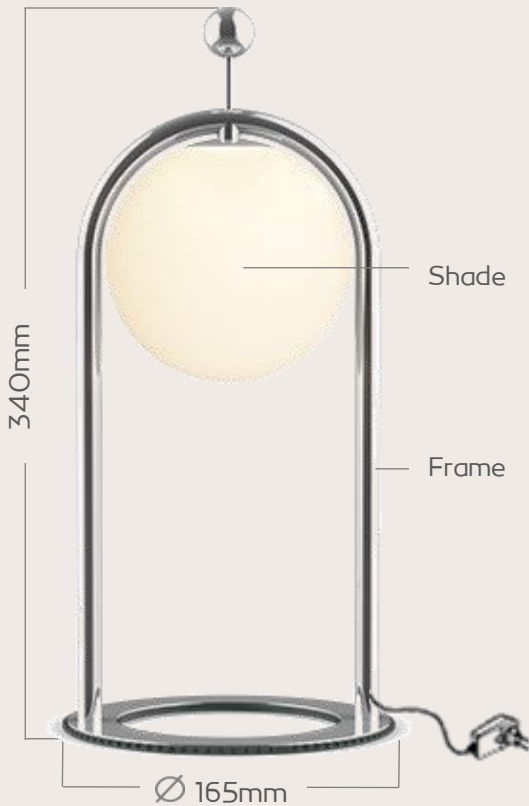




Code	H200
Power (Watts)	2.2W
Color Temperature	3000K
Body Material	Die-Cast Aluminum
IP Level	54
CRI \geq	84
Work Time	12h
Charge Time	5-8h
Battery	2x2200mAh Lithium Battery
Dimmable	Touch Switch
Body Color	Black



Code	C235
Power (Watts)	5W
Color Temperature	3000K
Body Material	Steel
Lamp Shade	Glass
CRI \geq	90
Adapter	5V 2A
Dimmable	Touch Dimming Control
Body Color	Chrome



Flicker-free



No Blue Light



High-CRI



Touch Dimming

Code	JH016
Power (Watts)	2x3W (6W)
Base	G9
Color Temperature	3000K
IP Level	IP20
Main Material	Steel + Glass
Body Color	Black



Code	JH022
Power (Watts)	5W
Light Source	LED
Color Temperature	3000K
IP Level	IP20
Main Material	Steel + Marble + Acrylic
Body Color	Black



Code	JH023
Power (Watts)	21W
Light Source	LED
Color Temperature	3000K
IP Level	IP20
Main Material	Steel + Marble + Acrylic
Body Color	Black





نوران
NOORAN