

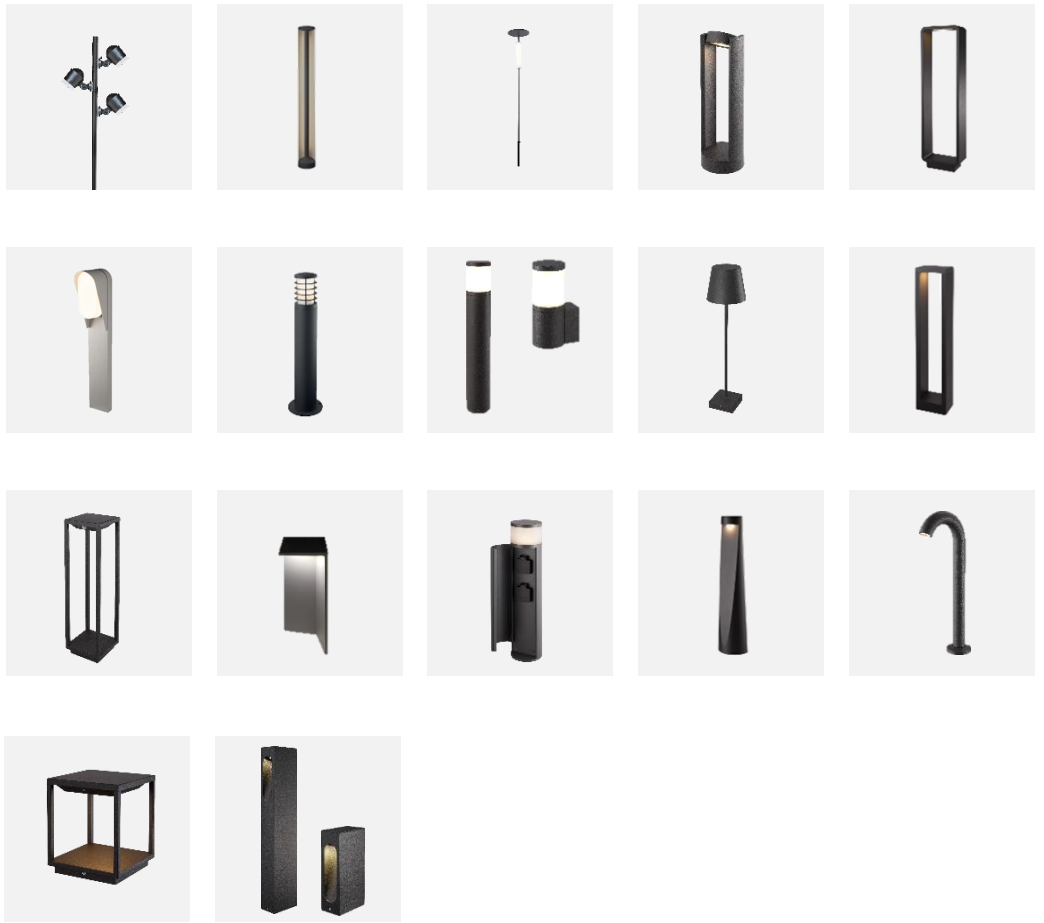


نوران  
NOORAN

OUTDOOR DATASHEET

APR - 2026

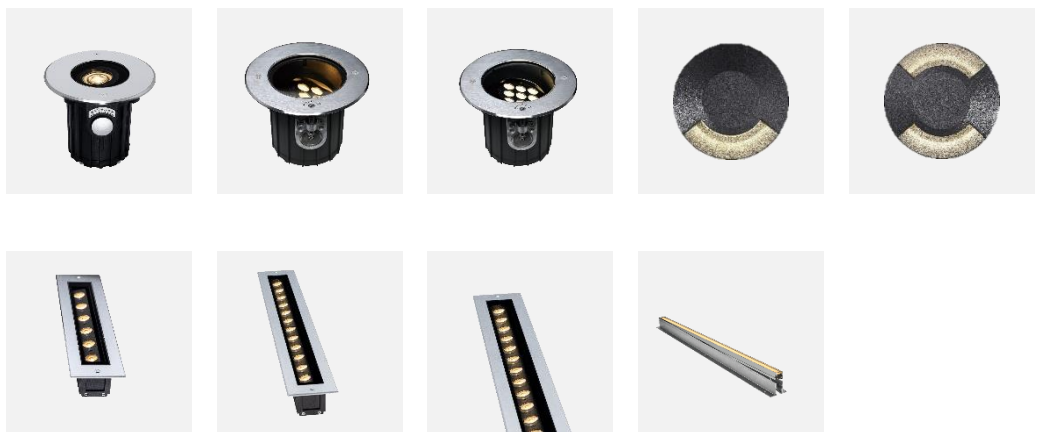
## Bollard Light



## Spike Light



## Path Light



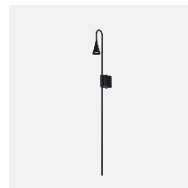
## Outdoor ceiling light

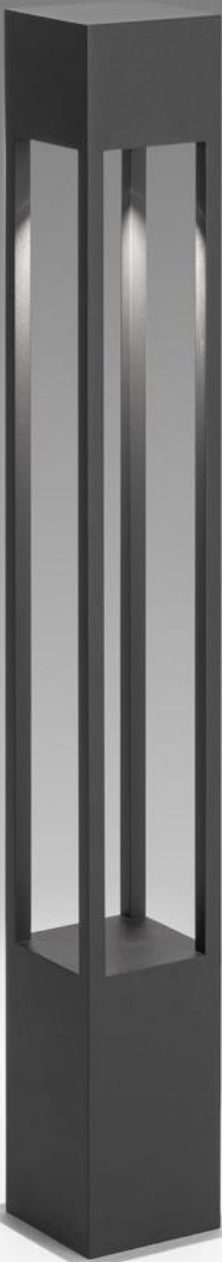


## Outdoor step light



## Outdoor wall light

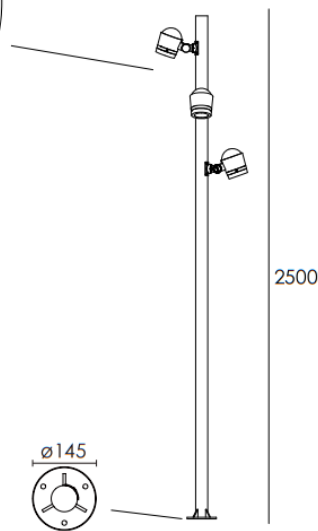
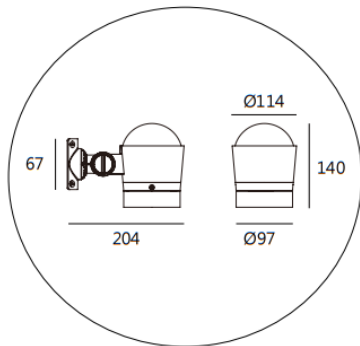




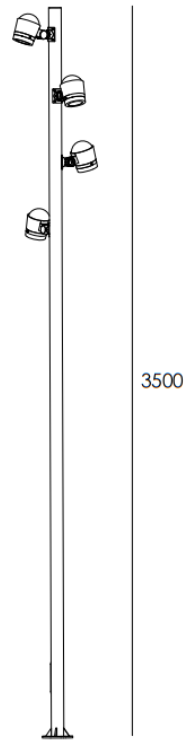
Bollard Light



<b>Code</b>	<b>BOBSKCO369 / BOBSKCO469</b>
<b>Consumption(W)</b>	<b>60W / 80W</b>
<b>Light source</b>	<b>3x18W Nichia / 4x18W Nichia</b>
<b>Color Temperature</b>	<b>3000K</b>
<b>Lumen</b>	<b>3033 / 5372</b>
<b>Beam Angle</b>	<b>30° / 20°</b>
<b>IP rating</b>	<b>66</b>
<b>IK rating</b>	<b>07</b>
<b>Input Voltage</b>	<b>240 VAC</b>
<b>Main Material</b>	<b>Die-Cast Aluminum</b>
<b>Body color</b>	<b>Black</b>

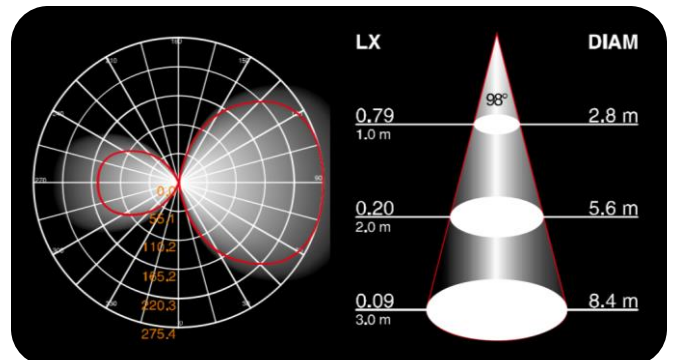
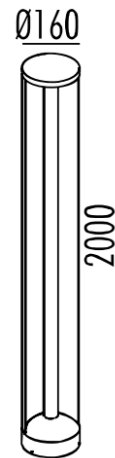


BOBSK0369



BOBSK0469

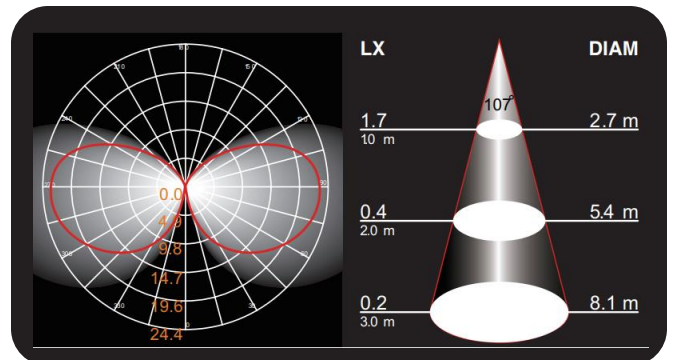
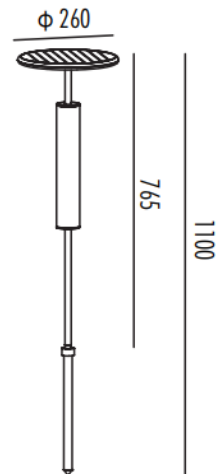
Code	H207
Power (Watts)	56x0.8W (45W)
Color Temperature	3000K
Lumen	1650lm
Beam Angle	98°
CRI <sub>≥</sub>	83
IP Level	65
Input Voltage	220-240V
Main Material	Die-Cast Aluminum
Body Color	Dark Gray



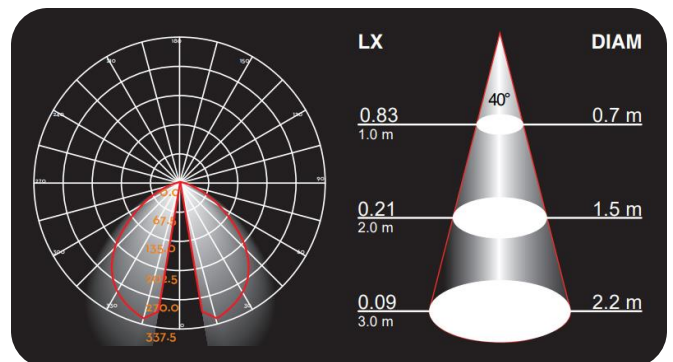
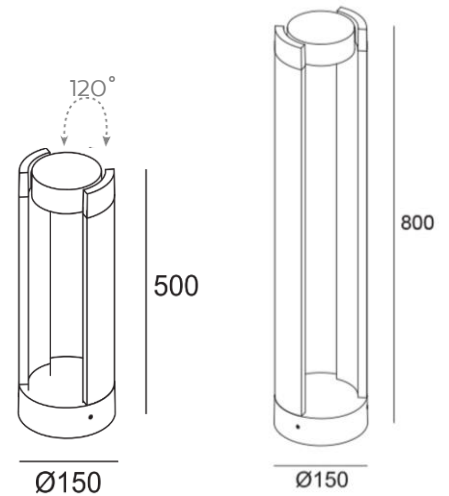
<b>Code</b>	<b>H208</b>
<b>Power (Watts)</b>	<b>3.3W (2W Solar Panel)</b>
<b>Color Temperature</b>	<b>3000K</b>
<b>Lumen</b>	<b>243lm</b>
<b>Beam Angle</b>	<b>107°</b>
<b>Body Material</b>	<b>Die-Cast Aluminum</b>
<b>IP Level</b>	<b>54</b>
<b>CRI <math>\geq</math></b>	<b>80</b>
<b>Work Time <math>\geq</math></b>	<b>10h</b>
<b>Charge Time</b>	<b>11h (sunshine)</b>
<b>Battery</b>	<b>3x1800mAh Lithium Battery</b>



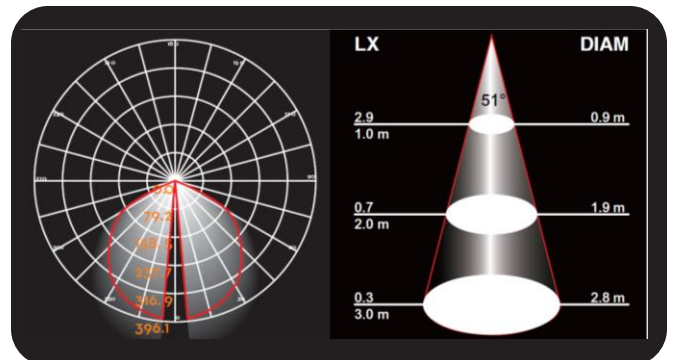
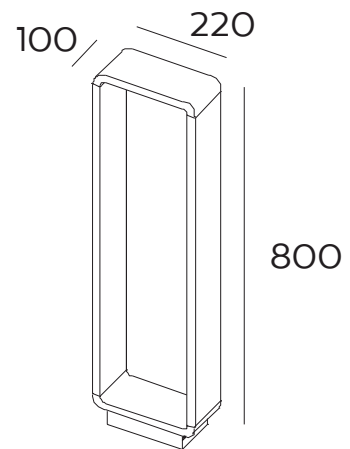
Daylight sensor lux < 50  
Automatically light up at night



<b>Code</b>	H201 (800mm) / H202 (500mm)
<b>Power (Watts)</b>	10W / 7W
<b>Color Temperature</b>	3000K
<b>Lumen</b>	705lm / 534lm
<b>Beam Angle</b>	44° / 40°
<b>CRI<sub>≥</sub></b>	80
<b>IP rating</b>	65
<b>Input Voltage</b>	220-240V
<b>Main Material</b>	Die-Cast Aluminum
<b>Body Color</b>	Dark Gray



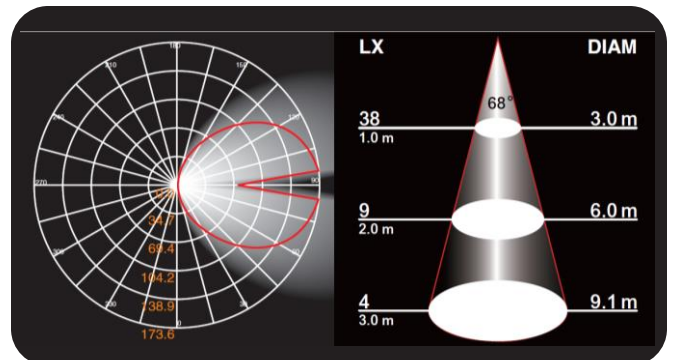
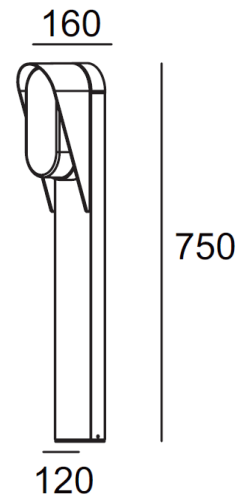
<b>Code</b>	<b>H159</b>
<b>Power (Watts)</b>	<b>10W</b>
<b>Color Temperature</b>	<b>3000K</b>
<b>Lumen</b>	<b>590lm</b>
<b>Beam Angle</b>	<b>51°</b>
<b>CRI<sub>≥</sub></b>	<b>80</b>
<b>IP Level</b>	<b>54</b>
<b>Input Voltage</b>	<b>220-240V</b>
<b>Main Material</b>	<b>Die-Cast Aluminum</b>
<b>Body Color</b>	<b>Dark Gray</b>



<b>Code</b>	<b>H187</b>
<b>Power (Watts)</b>	<b>15W</b>
<b>Color Temperature</b>	<b>3000K</b>
<b>Lumen</b>	<b>624lm</b>
<b>Beam Angle</b>	<b>68°</b>
<b>CRI<math>\geq</math></b>	<b>80</b>
<b>IP Level</b>	<b>54</b>
<b>Input Voltage</b>	<b>220-240V</b>
<b>Main Material</b>	<b>Die-Cast Aluminum</b>
<b>Body Color</b>	<b>Dark Gray</b>
<b>Option</b>	<b>Radar Sensor</b>



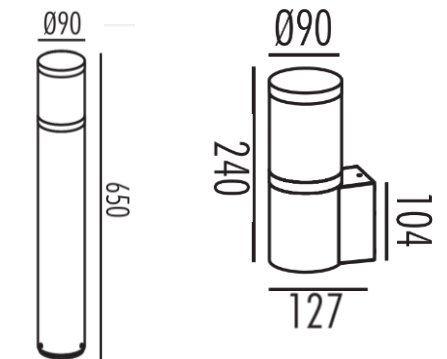
Radar Sensor



Code	H129
Base	E27
Maximum Power	20W
IP Level	54
Input Voltage	220-240V
Main Material	Die-Cast Aluminum
Body Color	Dark Gray



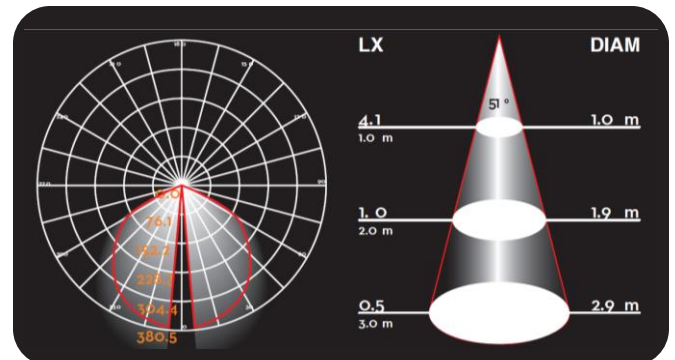
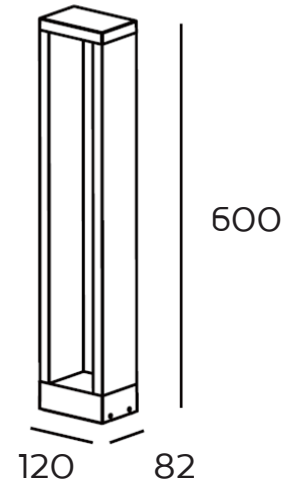
<b>Code</b>	<b>H171 /H 172</b>
<b>Base</b>	<b>E27</b>
<b>Maximum Power</b>	<b>15W</b>
<b>IP rating</b>	<b>54</b>
<b>Input Voltage</b>	<b>220-240V</b>
<b>Main Material</b>	<b>Die-Cast Aluminum</b>
<b>Body Color</b>	<b>Dark Gray</b>



<b>Code</b>	<b>H 195</b>
<b>Power (Watts)</b>	<b>10W SMD</b>
<b>Color Temperature</b>	<b>3000K</b>
<b>Body Material</b>	<b>Die-Cast Aluminum</b>
<b>IP Level</b>	<b>65</b>
<b>CRI <math>\geq</math></b>	<b>84</b>
<b>CCT Switch</b>	<b>With WiFi</b>
<b>Body Color</b>	<b>Dark Gray</b>



<b>Code</b>	<b>H158</b>
<b>Power (Watts)</b>	<b>10W</b>
<b>Color Temperature</b>	<b>3000K</b>
<b>Lumen</b>	<b>413lm</b>
<b>Beam Angle</b>	<b>52°</b>
<b>CRI<sub>≥</sub></b>	<b>80</b>
<b>IP rating</b>	<b>65</b>
<b>Input Voltage</b>	<b>220-240V</b>
<b>Main Material</b>	<b>Die-Cast Aluminum</b>
<b>Body Color</b>	<b>Dark Gray</b>



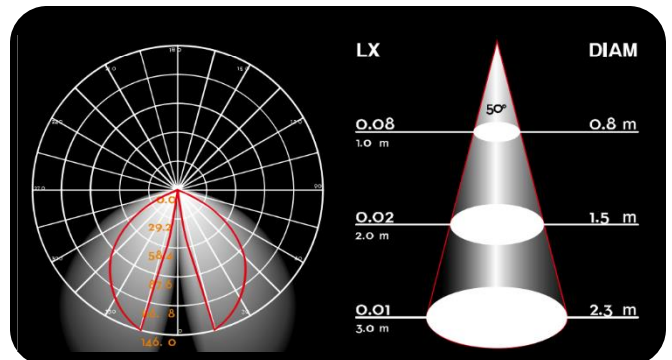
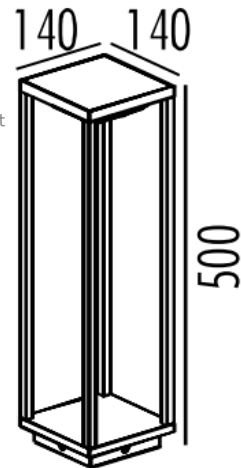
<b>Code</b>	<b>H162</b>
<b>Power (Watts)</b>	<b>0.45W (2W Solar Panel)</b>
<b>Color Temperature</b>	<b>3000K</b>
<b>Lumen</b>	<b>109lm</b>
<b>Beam Angle</b>	<b>50°</b>
<b>Body Material</b>	<b>Die-Cast Aluminum</b>
<b>IP Level</b>	<b>54</b>
<b>CRI ≥</b>	<b>80</b>
<b>Work Time ≥</b>	<b>20–25h (%15 of Light)</b> <b>2.5–3h (%100 of Light)</b>
<b>Charge Time</b>	<b>6–8h (sunshine)</b>
<b>Battery</b>	<b>1x2200mAh Lithium Battery</b>
<b>Body Color</b>	<b>Dark Gray</b>



Solar Lamp



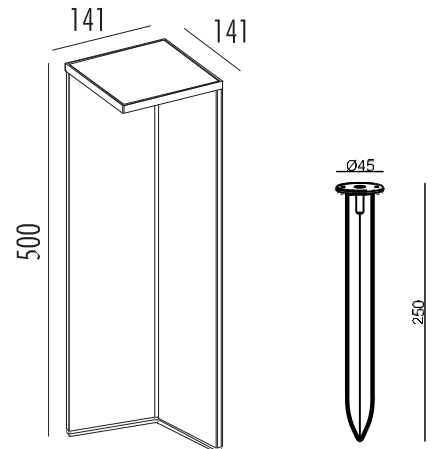
Daylight sensor lux < 20  
Automatically light up at night



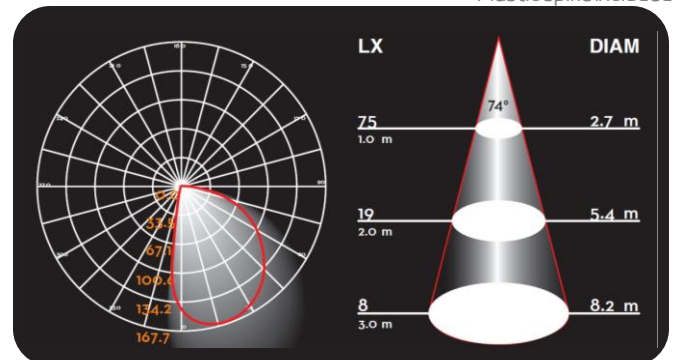
<b>Code</b>	<b>H178</b>
<b>Power (Watts)</b>	<b>2.2W (2W Solar Panel)</b>
<b>Color Temperature</b>	<b>3000K</b>
<b>Lumen</b>	<b>151 lm</b>
<b>Beam Angle</b>	<b>74°</b>
<b>Body Material</b>	<b>Die-Cast Aluminum</b>
<b>IP Level</b>	<b>54</b>
<b>CRI <math>\geq</math></b>	<b>80</b>
<b>Work Time <math>\geq</math></b>	<b>20-25h (%15 of Light)</b> <b>2.5-3h (%100 of Light)</b>
<b>Charge Time</b>	<b>6-8h (sunshine)</b>
<b>Battery</b>	<b>1x2200mAh Lithium Battery</b>
<b>Body Color</b>	<b>Dark Gray</b>



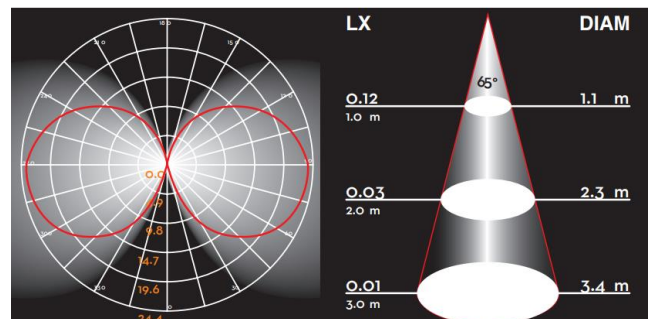
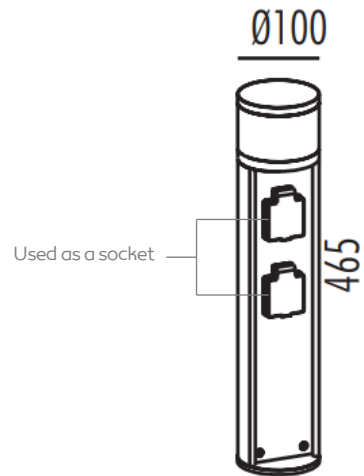
Solar Lamp



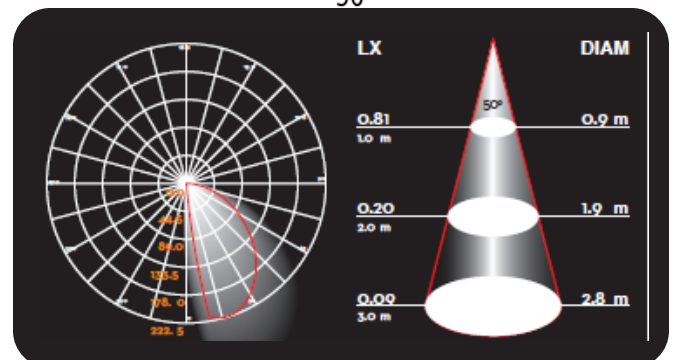
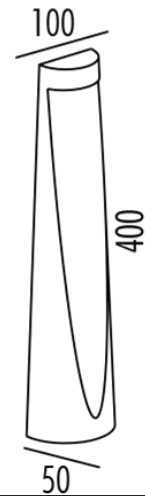
Plastic spike included



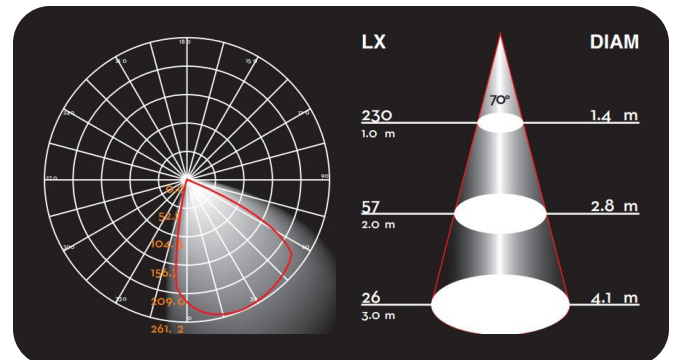
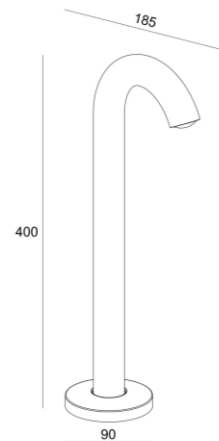
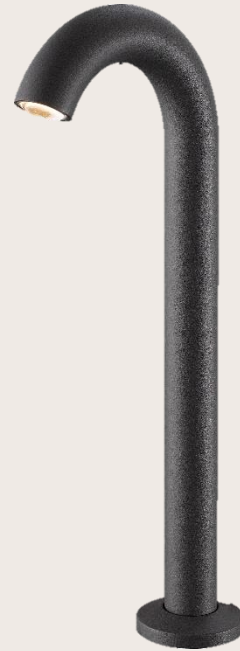
Code	H163
Power (Watts)	3W
Color Temperature	3000K
Lumen	190lm
Beam Angle	65°
CRI <sub>≥</sub>	80
IP rating	44
Input Voltage	220-240V
Main Material	Die-Cast Aluminum
Body Color	Dark Gray



<b>Code</b>	<b>H172-1</b>
<b>Power (Watts)</b>	<b>7W</b>
<b>Color Temperature</b>	<b>3000K</b>
<b>Lumen</b>	<b>303lm</b>
<b>Beam Angle</b>	<b>50°</b>
<b>CRI</b>	<b>80</b>
<b>IP rating</b>	<b>65</b>
<b>Input Voltage</b>	<b>220-240V</b>
<b>Main Material</b>	<b>Die-Cast Aluminum</b>
<b>Body Color</b>	<b>Dark Gray</b>



<b>Code</b>	<b>H144</b>
<b>Power (Watts)</b>	<b>4W</b>
<b>Color Temperature</b>	<b>3000K</b>
<b>Lumen</b>	<b>317lm</b>
<b>Beam Angle</b>	<b>70°</b>
<b>CRI<math>\geq</math></b>	<b>80</b>
<b>IP rating</b>	<b>65</b>
<b>Main Material</b>	<b>Aluminum</b>
<b>Body Color</b>	<b>Dark Gray</b>



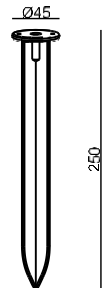
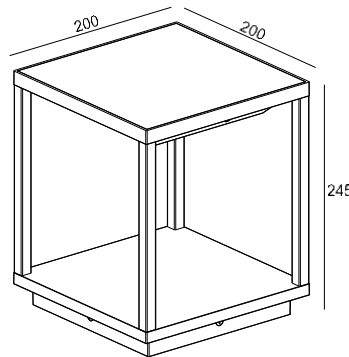


Solar Lamp

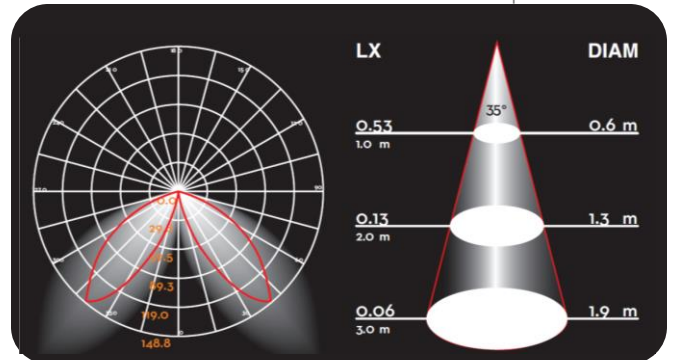
<b>Code</b>	<b>H197</b>
<b>Power (Watts)</b>	<b>0.65W (2W Solar Panel)</b>
<b>Color Temperature</b>	<b>3000K</b>
<b>Lumen</b>	<b>163lm</b>
<b>Beam Angle</b>	<b>35°</b>
<b>Body Material</b>	<b>Die-Cast Aluminum</b>
<b>IP Level</b>	<b>54</b>
<b>CRI <math>\geq</math></b>	<b>80</b>
<b>Work Time <math>\geq</math></b>	<b>12h</b>
<b>Charge Time</b>	<b>5-7h (sunshine)</b>
<b>Battery</b>	<b>2x2200mAh Lithium Battery</b>
<b>Body Color</b>	<b>Dark Gray</b>



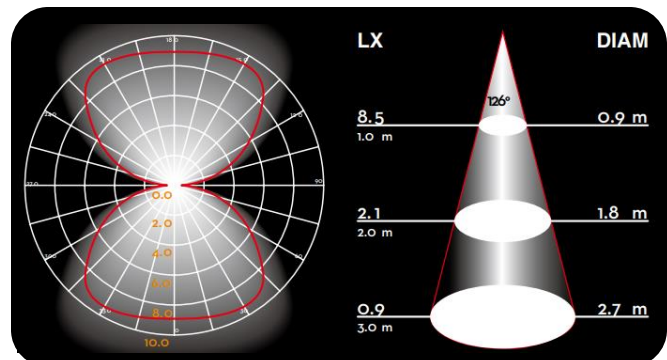
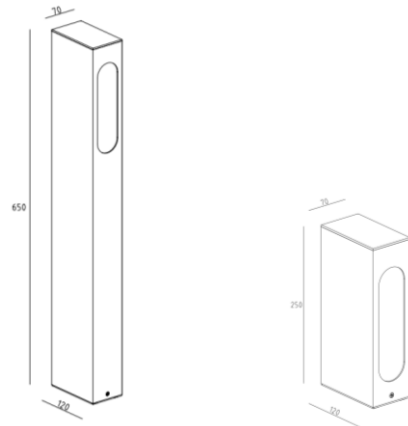
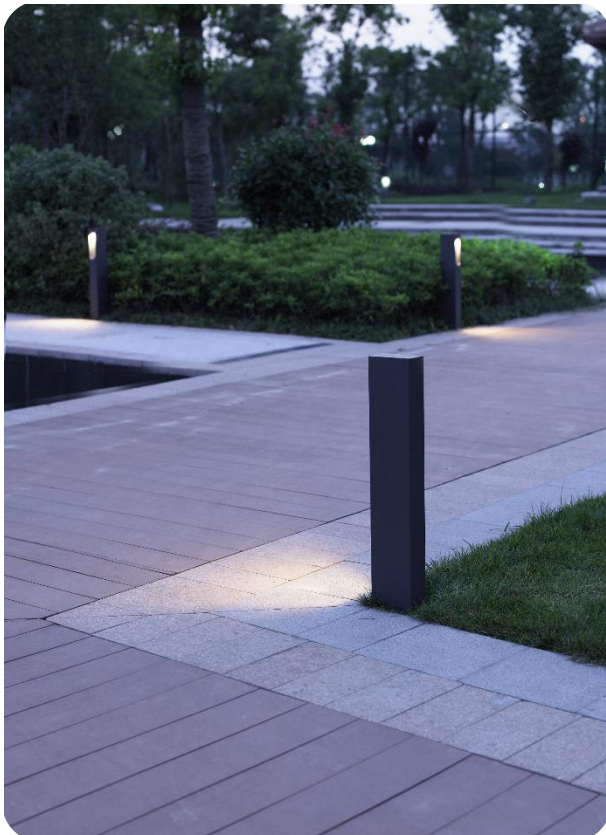
☀ Daylight sensor lux < 50  
Automatically light up at night



Plastic spike included



<b>Code</b>	<b>H217 (650) / H174 (250)</b>
<b>Power (Watts)</b>	<b>7W</b>
<b>Color Temperature</b>	<b>3000K</b>
<b>Lumen</b>	<b>159lm</b>
<b>Beam Angle</b>	<b>36°</b>
<b>CRI ≥</b>	<b>80</b>
<b>IP rating</b>	<b>54</b>
<b>Input Voltage</b>	<b>220-240V</b>
<b>Main Material</b>	<b>Die-Cast Aluminum</b>
<b>Body Color</b>	<b>Dark Gray</b>

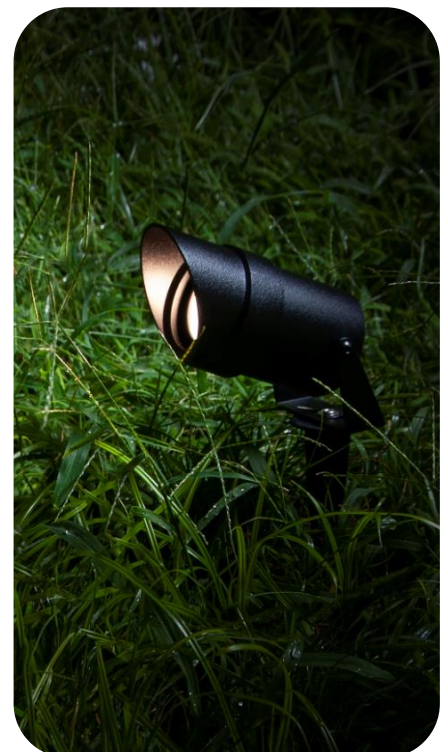
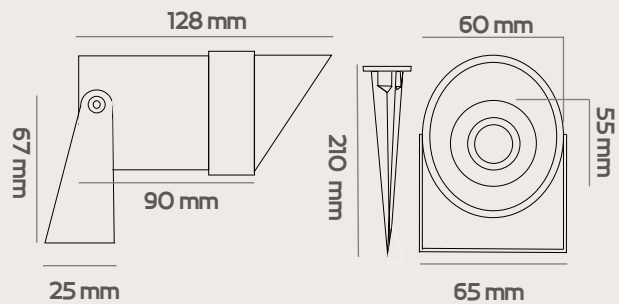




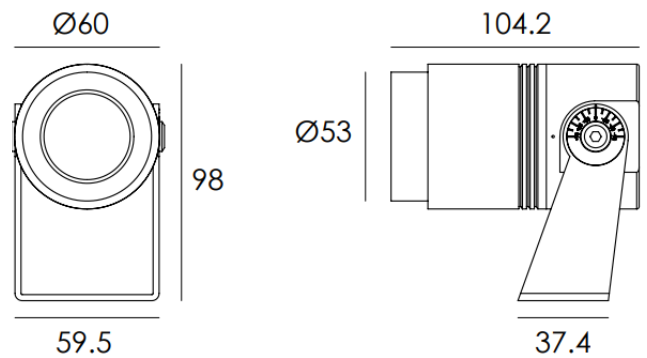
Spike Light



<b>Code</b>	<b>N1010</b>
<b>Power (Watts)</b>	<b>6W</b>
<b>Color Temperature</b>	<b>3000K</b>
<b>Lumen</b>	<b>600lm</b>
<b>Beam Angle</b>	<b>35°</b>
<b>CRI<sub>≥</sub></b>	<b>80</b>
<b>IP Level</b>	<b>65</b>
<b>Light Source</b>	<b>GU10</b>
<b>Input Voltage</b>	<b>220-240V</b>
<b>Main Material</b>	<b>Aluminum</b>
<b>Body Color</b>	<b>Black / White</b>



<b>Code</b>	<b>B3ADX0127</b>
<b>Consumption(W)</b>	<b>10W</b>
<b>Light source</b>	<b>1 × 8W Nichia</b>
<b>Color Temperature</b>	<b>3000K</b>
<b>Lumen</b>	<b>695</b>
<b>Beam Angle</b>	<b>24°</b>
<b>IP rating</b>	<b>66</b>
<b>IK rating</b>	<b>06</b>
<b>Input Voltage</b>	<b>220–240V</b>
<b>Main Material</b>	<b>Die-Cast Aluminum</b>
<b>Body Color</b>	<b>Dark gray</b>



#### HOOD



40



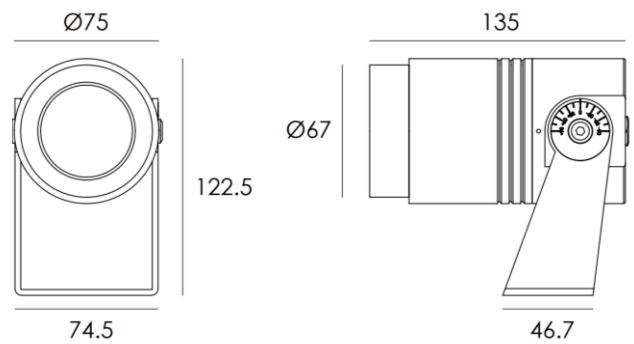
#### HONEYCOMB LOUVER



Ø36.8



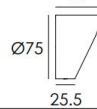
<b>Code</b>	<b>B3AEX0169</b>
<b>Consumption(W)</b>	<b>16.6W</b>
<b>Light source</b>	<b>1 × 14W Nichia</b>
<b>Color Temperature</b>	<b>3000K</b>
<b>Lumen</b>	<b>1374</b>
<b>Beam Angle</b>	<b>25°</b>
<b>IP rating</b>	<b>66</b>
<b>IK rating</b>	<b>06</b>
<b>Input Voltage</b>	<b>220–240V</b>
<b>Main Material</b>	<b>Die-Cast Aluminum</b>
<b>Body Color</b>	<b>Dark gray</b>



#### HOOD



50



#### HONEYCOMB LOUVER

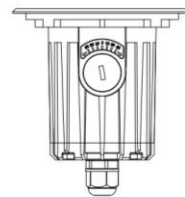
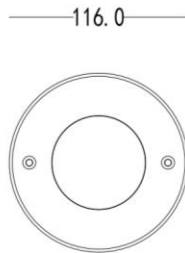
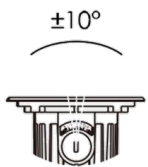




Path Light



<b>Code</b>	<b>XB2DFR0158</b>
<b>Consumption(W)</b>	<b>5.4W</b>
<b>Light source</b>	<b>1×3W Nichia</b>
<b>Color Temperature</b>	<b>3000K</b>
<b>Lumen</b>	<b>178lm</b>
<b>Beam Angle</b>	<b>30°</b>
<b>IP rating</b>	<b>67</b>
<b>IK rating</b>	<b>09</b>
<b>Input Voltage</b>	<b>220–240V</b>
<b>Housing</b>	<b>Die-casting aluminum powder coated</b>
<b>Front cover</b>	<b>Hard chrome-plated stainless steel SUS 316L #</b>
<b>Light window</b>	<b>Tempered glass.T=8mm</b>



## HONEYCOMB LOUVER

XB2DFR0158

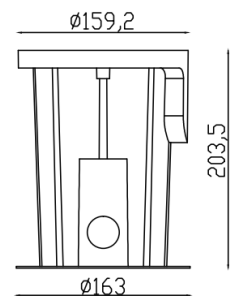
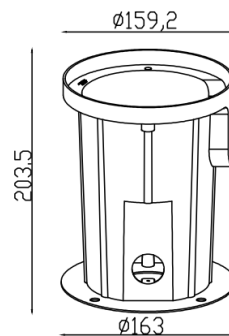
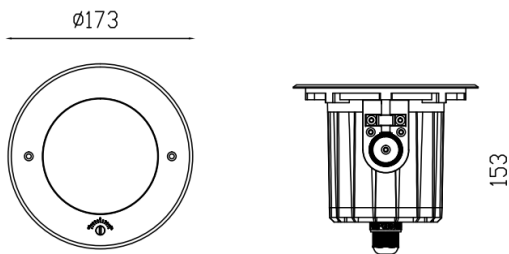


Louver **Mh001**



- Optional Accessory Honeycomb Louver.
- The measured luminous flux data does not contain the honeycomb, and the data containing it is reduced 20 to 30%.

<b>Code</b>	<b>XB2DGRO656</b>
<b>Consumption(W)</b>	<b>10.5W</b>
<b>Light source</b>	<b>6 × 1.2W Osram</b>
<b>Color Temperature</b>	<b>3000K</b>
<b>Lumen</b>	<b>589lm</b>
<b>Beam Angle</b>	<b>20°</b>
<b>IP rating</b>	<b>67</b>
<b>IK rating</b>	<b>09</b>
<b>Input Voltage</b>	<b>220–240V</b>
<b>Housing</b>	<b>Die-casting aluminum powder coated</b>
<b>Front cover</b>	<b>Hard chrome-plated stainless steel SUS 316L #</b>
<b>Light window</b>	<b>Tempered glass.T=8mm</b>



Angle adjustable

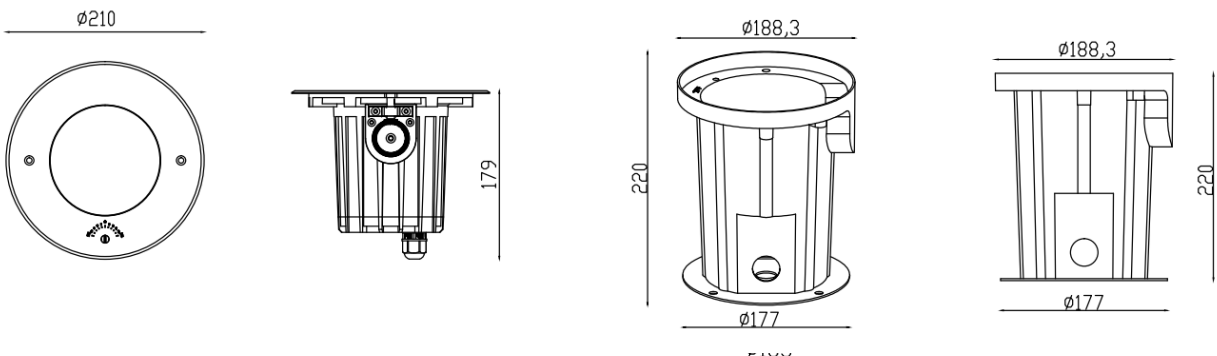


HONEYCOMB LOUVER



Louvers Mh002

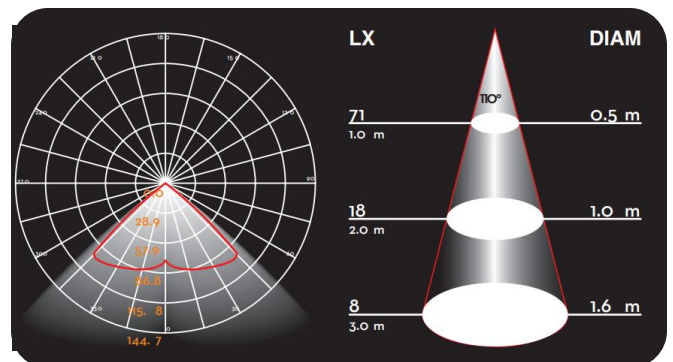
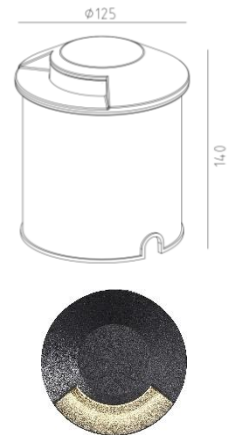
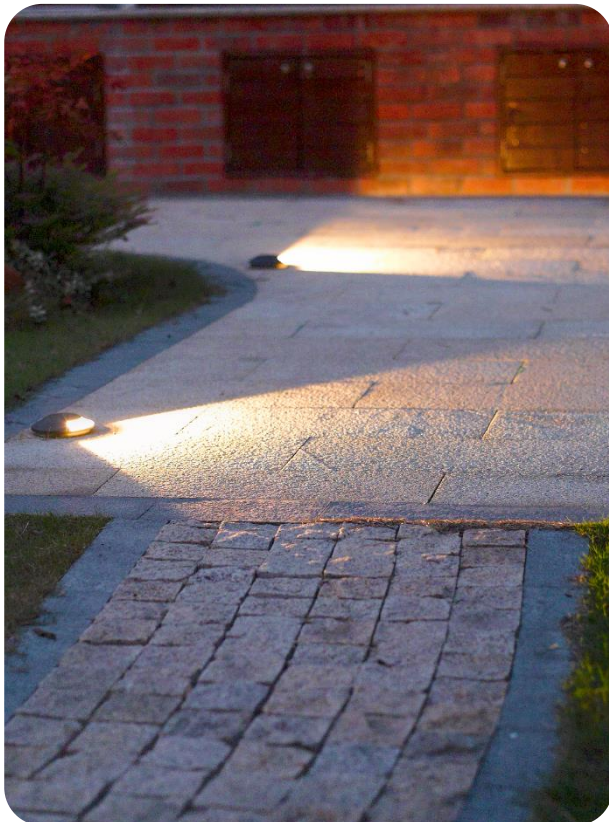
<b>Code</b>	<b>XB2DGR0956</b>
<b>Consumption(W)</b>	<b>13.2W</b>
<b>Light source</b>	<b>9 × 1.2W Osram</b>
<b>Color Temperature</b>	<b>3000K</b>
<b>Lumen</b>	<b>789lm</b>
<b>Beam Angle</b>	<b>20°</b>
<b>IP rating</b>	<b>67</b>
<b>IK rating</b>	<b>09</b>
<b>Input Voltage</b>	<b>220–240V</b>
<b>Housing</b>	<b>Die-casting aluminum powder coated</b>
<b>Front cover</b>	<b>Hard chrome-plated stainless steel SUS 316L #</b>
<b>Light window</b>	<b>Tempered glass.T=8mm</b>



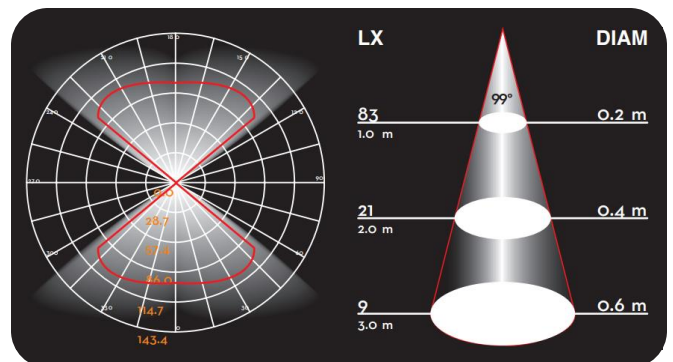
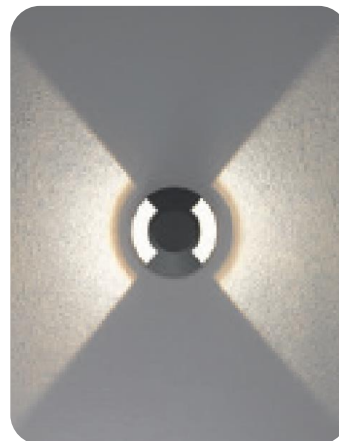
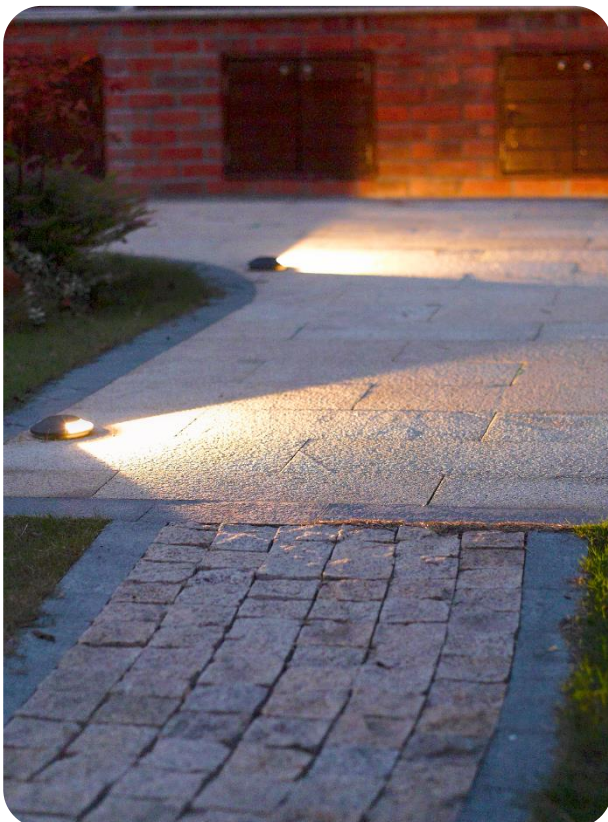
Angle adjustable



<b>Code</b>	<b>H151</b>
<b>Power (Watts)</b>	<b>7W</b>
<b>Color Temperature</b>	<b>3000K</b>
<b>Lumen</b>	<b>67lm</b>
<b>Beam Angle</b>	<b>110°</b>
<b>CRI<sub>≥</sub></b>	<b>80</b>
<b>IP rating</b>	<b>67</b>
<b>Input Voltage</b>	<b>220-240V</b>
<b>Material</b>	<b>body and bracket in die-cast aluminum</b>
<b>Body Color</b>	<b>Dark Gray</b>



<b>Code</b>	<b>H152</b>
<b>Power (Watts)</b>	<b>7W</b>
<b>Color Temperature</b>	<b>3000K</b>
<b>Lumen</b>	<b>135lm</b>
<b>Beam Angle</b>	<b>99°</b>
<b>CRI<sub>≥</sub></b>	<b>80</b>
<b>IP rating</b>	<b>67</b>
<b>Input Voltage</b>	<b>220-240V</b>
<b>Material</b>	<b>body and bracket in die-cast aluminum</b>



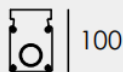
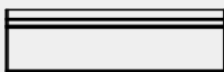
<b>Code</b>	<b>XB2RKBO635</b>
<b>Consumption(W)</b>	<b>8.7W</b>
<b>Light source</b>	<b>6 × 1.3W Osram</b>
<b>Color Temperature</b>	<b>3000K</b>
<b>Lumen</b>	<b>567lm</b>
<b>Beam Angle</b>	<b>20°</b>
<b>IP rating</b>	<b>67</b>
<b>IK rating</b>	<b>07</b>
<b>Input Voltage</b>	<b>220-240V</b>
<b>Housing</b>	<b>Extruded aluminum, powder coated</b>
<b>Front cover</b>	<b>Hard chrome-plated stainless steel SUS 316L</b>
<b>Light window</b>	<b>Tempered glass.T=6mm</b>



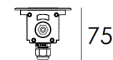
## Sleeve (Included)



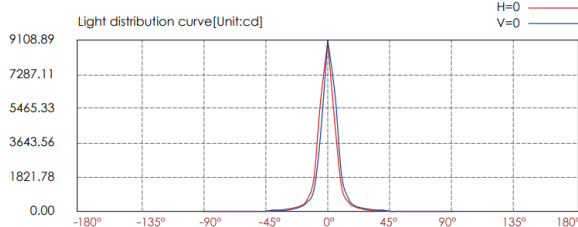
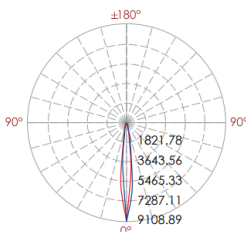
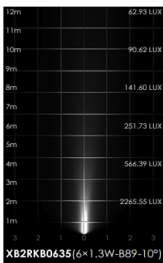
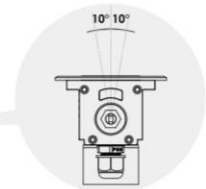
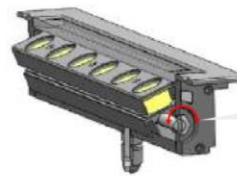
314



325



## ANGLE ADJUSTABLE

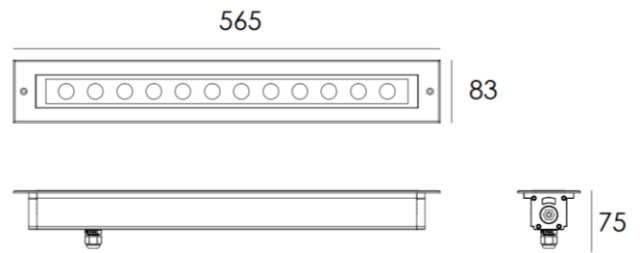
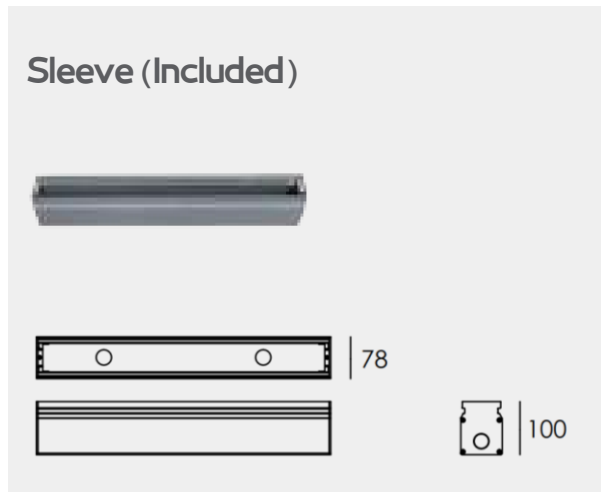


## Lux distance curve

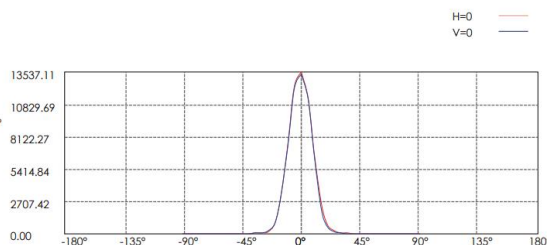
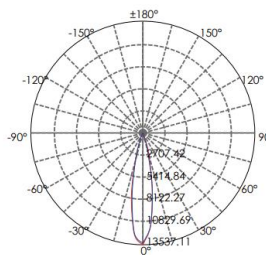
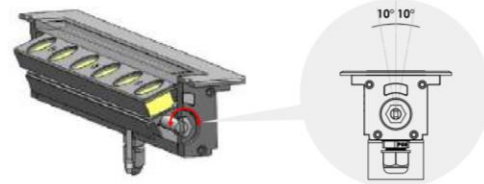
Distance (m)	Center beam LUX	Beam width V (m)	Beam width H (m)
2	2265.55 LUX	0.4m	0.4m
4	566.39 LUX	0.8m	0.8m
6	251.73 LUX	1.2m	1.2m
8	141.60 LUX	1.6m	1.6m
10	90.62 LUX	2.0m	2.0m
12	62.93 LUX	2.4m	2.4m

Ver.Spread: 11.4 Horiz.Spread: 11.2

<b>Code</b>	<b>XB2RKB1235</b>
<b>Consumption(W)</b>	<b>16.8W</b>
<b>Light source</b>	<b>12 × 1.3W Osram</b>
<b>Color Temperature</b>	<b>3000K</b>
<b>Lumen</b>	<b>1160lm</b>
<b>Beam Angle</b>	<b>20°</b>
<b>IP rating</b>	<b>67</b>
<b>IK rating</b>	<b>07</b>
<b>Input Voltage</b>	<b>220–240V</b>
<b>Housing</b>	<b>Extruded aluminum, powder coated</b>
<b>Front cover</b>	<b>Hard chrome-plated stainless steel SUS 316L</b>
<b>Light window</b>	<b>Tempered glass.T=6mm</b>



ANGLE ADJUSTABLE



Lux distance Curve

Distance	Illuminance at a Distance	
	Center Beam LUX	Beam Width V H
2m	3384.28 LUX	0.7m 0.7m
4m	846.07 LUX	1.5m 1.5m
6m	376.03 LUX	2.2m 2.2m
8m	211.52 LUX	3.0m 2.9m
10m	135.37 LUX	3.7m 3.7m
12m	94.01 LUX	4.5m 4.4m

Vert.Spread:21.1 Horiz.Spread:20.8

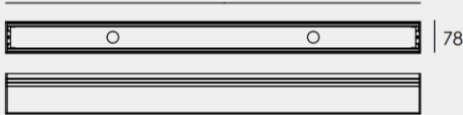
<b>Code</b>	<b>XB2RKB2435</b>
<b>Consumption(W)</b>	<b>32W</b>
<b>Light source</b>	<b>24 × 1.3W Osram</b>
<b>Color Temperature</b>	<b>3000K</b>
<b>Lumen</b>	<b>2306lm</b>
<b>Beam Angle</b>	<b>20°</b>
<b>IP rating</b>	<b>67</b>
<b>IK rating</b>	<b>07</b>
<b>Input Voltage</b>	<b>220–240V</b>
<b>Housing</b>	<b>Extruded aluminum, powder coated</b>
<b>Front cover</b>	<b>Hard chrome-plated stainless steel SUS 316L</b>
<b>Light window</b>	<b>Tempered glass.T=6mm</b>



## Sleeve (Included)



1034



78



100

1045

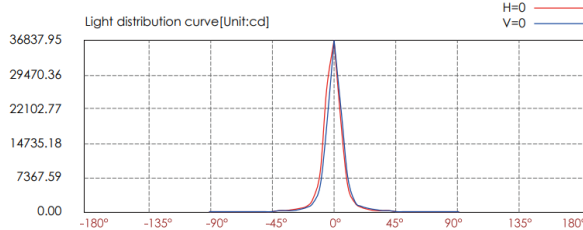
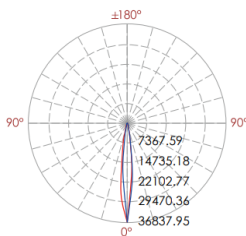
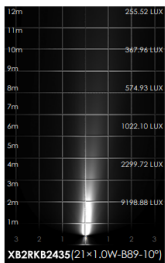
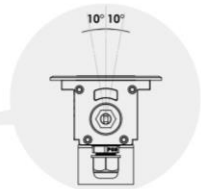
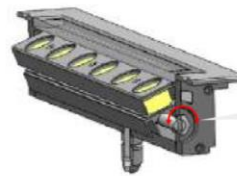


83



75

## ANGLE ADJUSTABLE

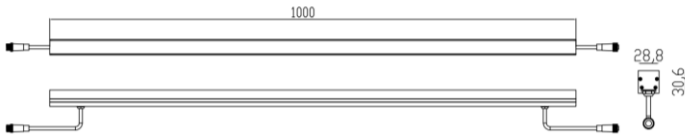


## Lux distance curve

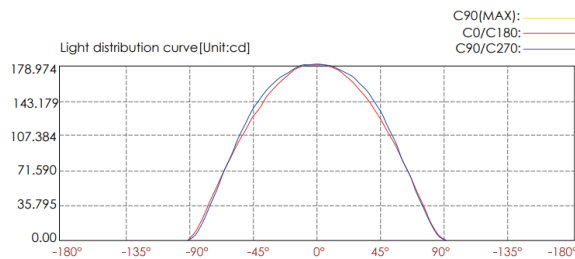
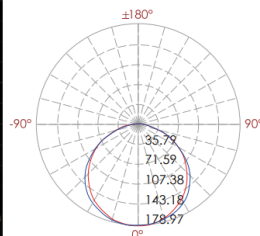
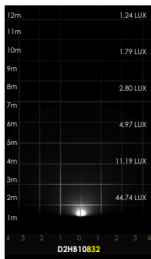
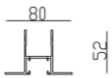
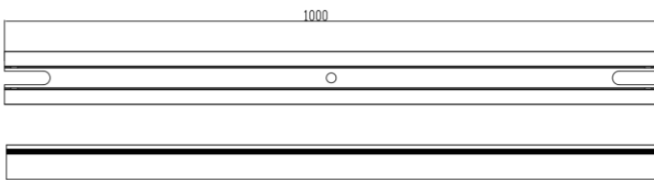
Distance (m)	Center Beam LUX	Beam width V	Beam width H
2m	9198.88 LUX	0.4m	0.4m
4m	2299.72 LUX	0.8m	0.8m
6m	1022.10 LUX	1.3m	1.1m
8m	574.93 LUX	1.7m	1.5m
10m	367.96 LUX	2.1m	1.9m
12m	255.52 LUX	2.5m	2.3m

Ver.Spread: 12.1 Horiz.Spread: 10.9

<b>Code</b>	<b>D2HB10832</b>
<b>Consumption(W)</b>	<b>15W</b>
<b>Light source</b>	<b>108 × 0.14W Osram</b>
<b>Color Temperature</b>	<b>3000K</b>
<b>Lumen</b>	<b>525lm</b>
<b>Beam Angle</b>	<b>120°</b>
<b>IP rating</b>	<b>67</b>
<b>IK rating</b>	<b>07</b>
<b>Input Voltage</b>	<b>DC 24</b>
<b>Housing</b>	<b>Extruded aluminum anodize finshing</b>
<b>Light window</b>	<b>Tempered glass.T=6mm</b>



**SLEEVE (Included)**



Lux distance curve

	Illuminance at a distance		Beam width	
	Center beam LUX	Beam width V	H	H
2m	44.74 LUX	0.4m	6.5m	
4m	11.19 LUX	12.7m	13.0m	
6m	4.97 LUX	19.1m	19.6m	
8m	2.80 LUX	25.4m	26.1m	
10m	1.79 LUX	31.8m	32.6m	
12m	1.24 LUX	38.2m	39.1m	

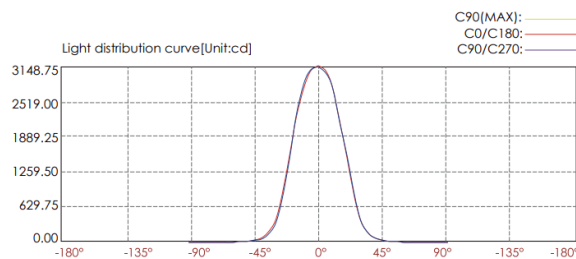
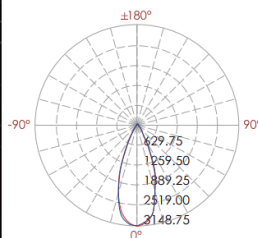
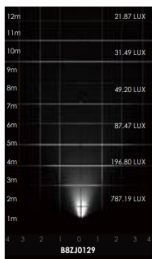
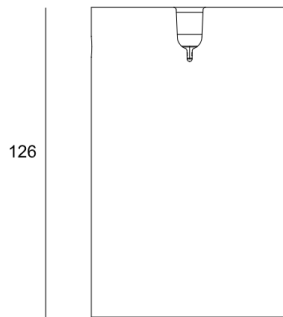
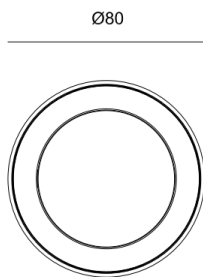
Ver.Spread:115.7 Horiz.Spread:117.0



Outdoor Wall Light



<b>Code</b>	<b>B8ZJ0129</b>
<b>Power (Watts)</b>	<b>1 × 12W</b>
<b>Color Temperature</b>	<b>3000K</b>
<b>Lumen</b>	<b>1100</b>
<b>Beam Angle</b>	<b>24°</b>
<b>IP rating</b>	<b>65</b>
<b>IK rating</b>	<b>06</b>
<b>Input Voltage</b>	<b>220-240V</b>
<b>Main Material</b>	<b>Die-Cast Aluminum</b>
<b>Body Color</b>	<b>Dark gray</b>

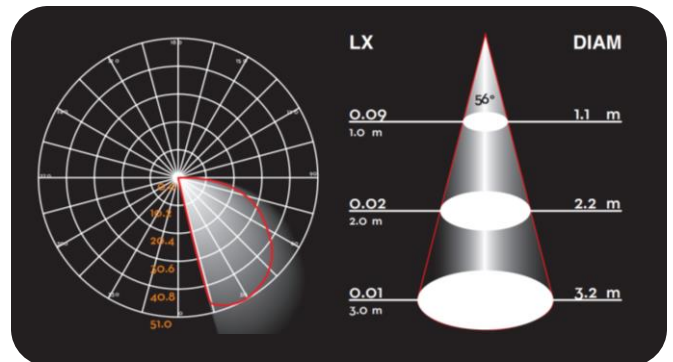
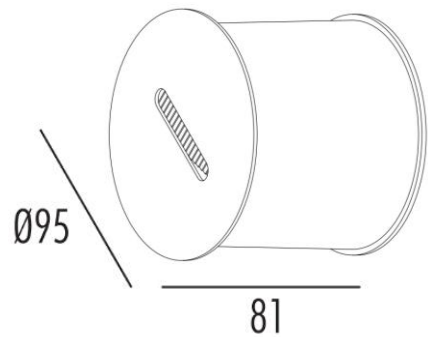
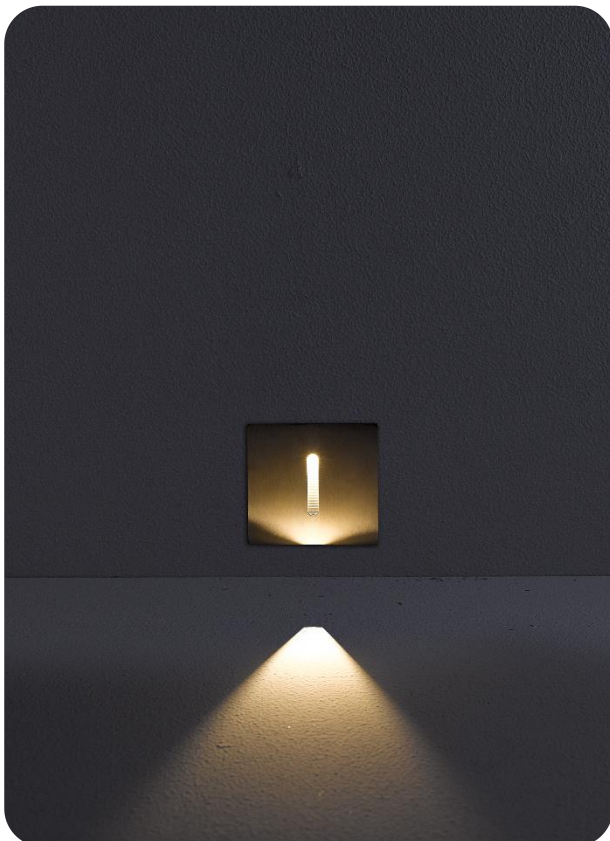


Lux distance curve

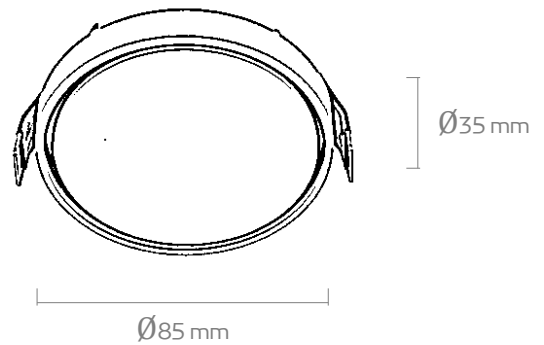
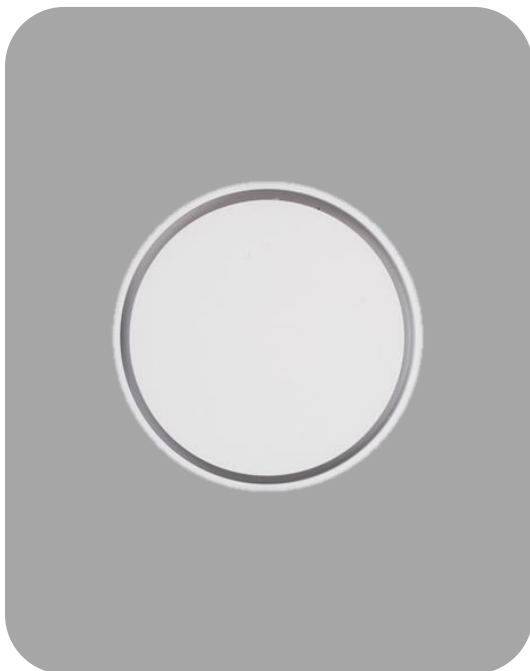
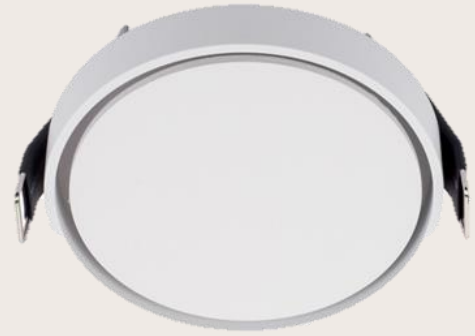
Center beam LUX	Beam width	
	V	H
2m 787.19 LUX	1.4m	1.4m
4m 196.80 LUX	2.9m	2.9m
6m 87.47 LUX	4.3m	4.3m
8m 49.20 LUX	5.8m	5.7m
10m 31.49 LUX	7.2m	7.2m
12m 21.87 LUX	8.6m	8.6m

Ver.Spread:39.6 Horiz.Spread:39.5

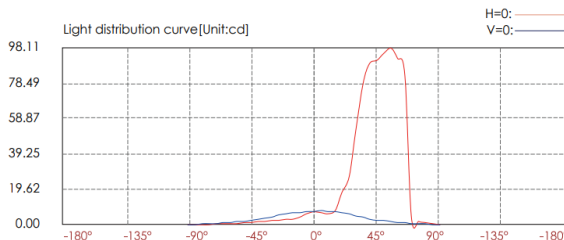
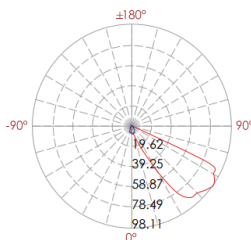
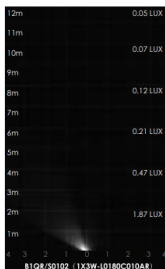
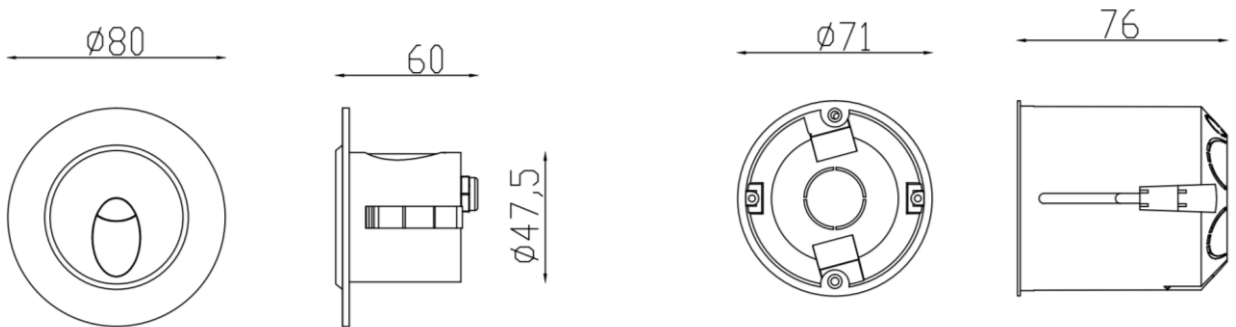
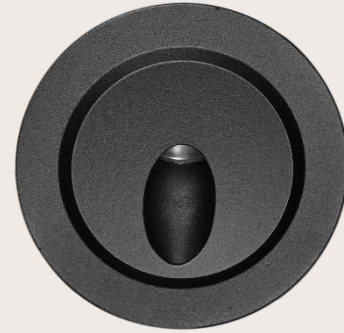
<b>Code</b>	<b>H124</b>
<b>Power (Watts)</b>	<b>3W</b>
<b>Color Temperature</b>	<b>3000K</b>
<b>Lumen</b>	<b>23lm</b>
<b>Beam Angle</b>	<b>56°</b>
<b>CRI ≥</b>	<b>80</b>
<b>IP rating</b>	<b>65</b>
<b>Main Material</b>	<b>Steel and Aluminum</b>
<b>Body Color</b>	<b>Silver</b>



Code	LC39
Cut Out	Ø60 mm
Power(Watts)	6W
Lumen	540lm
Color Temperature	3000K
IP Level	65
Body Color	White



<b>Code</b>	<b>B1QR0102</b>
<b>Power (Watts)</b>	<b>1×3W</b>
<b>Color Temperature</b>	<b>3000K</b>
<b>Lumen</b>	<b>Black=46 White=81</b>
<b>Beam Angle</b>	<b>80°</b>
<b>IP rating</b>	<b>65</b>
<b>IK rating</b>	<b>10</b>
<b>Input Voltage</b>	<b>100-240V</b>
<b>Main Material</b>	<b>Die-Cast Aluminum</b>
<b>Body Color</b>	<b>Black/White</b>

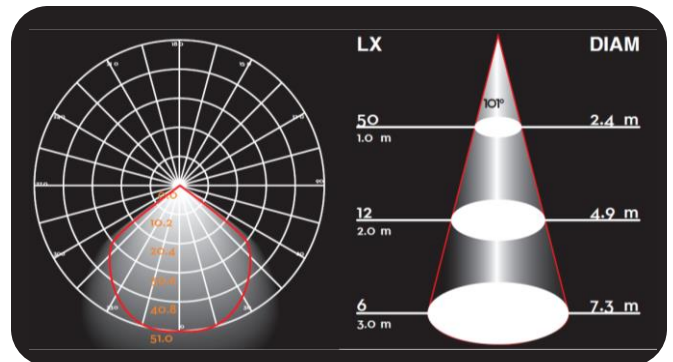
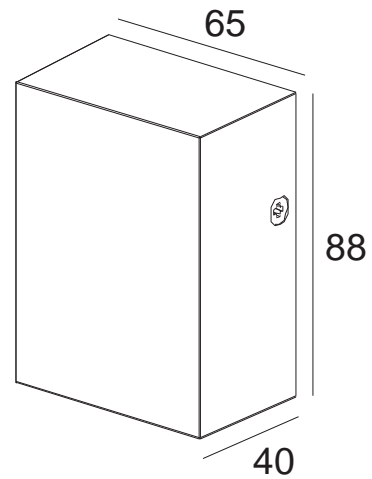


Lux distance curve

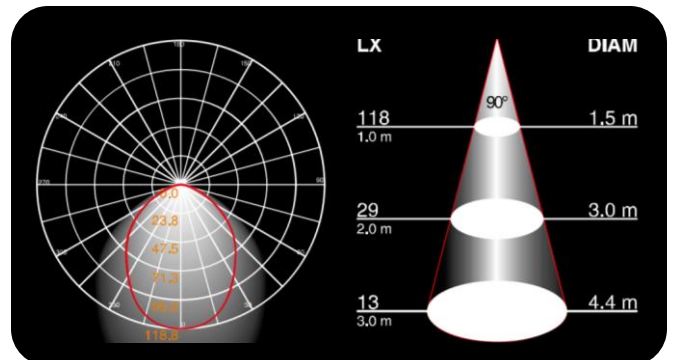
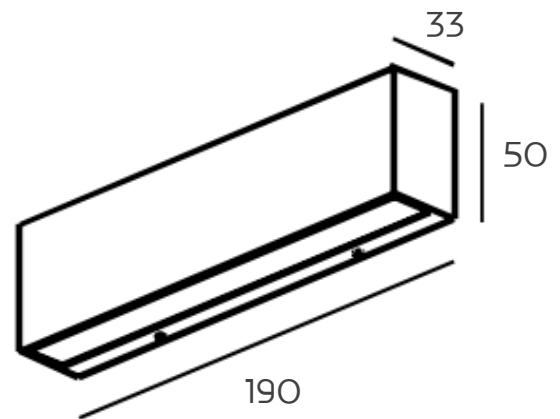
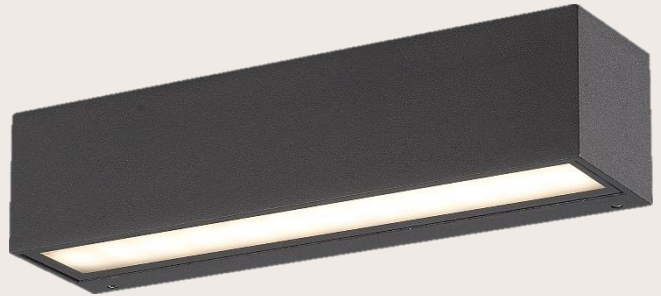
Center beam LUX	Beam width V	Beam width H
2m 1.87 LUX	1.4m	1.4m
4m 0.47 LUX	2.7m	2.9m
6m 0.21 LUX	4.1m	4.3m
8m 0.12 LUX	5.5m	5.7m
10m 0.07 LUX	6.8m	7.1m
12m 0.05 LUX	8.2m	8.6m

Ver.Spread:37.8 Horiz.Spread:39.3

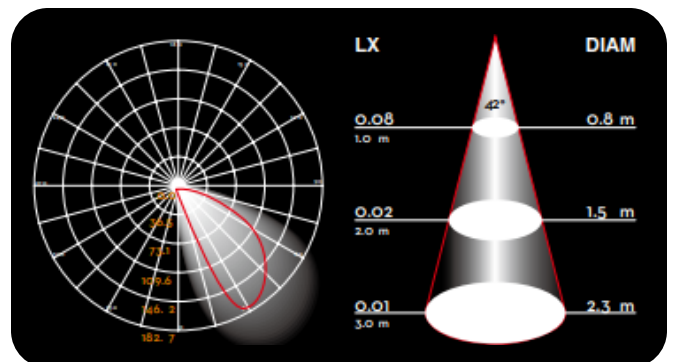
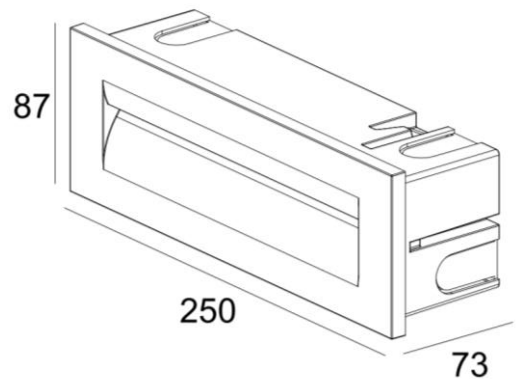
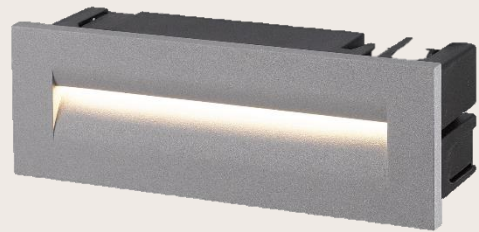
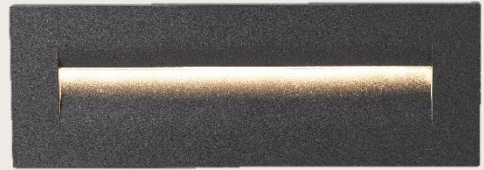
<b>Code</b>	H130 (Dark Gray) H130-1 (White)
<b>Power (Watts)</b>	3W
<b>Color Temperature</b>	3000K
<b>Lumen</b>	85lm
<b>Beam Angle</b>	101°
<b>CR<sub>I</sub> ≥</b>	80
<b>IP Level</b>	54
<b>Input Voltage</b>	220-240V
<b>Main Material</b>	Die-Cast Aluminum
<b>Body Color</b>	Dark Gray / White



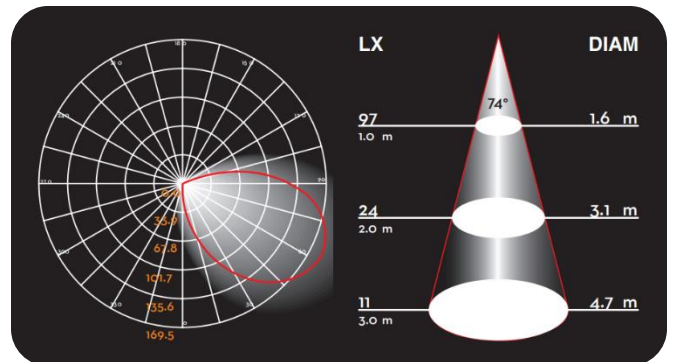
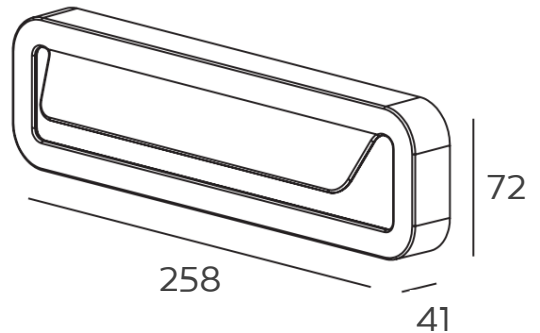
<b>Code</b>	<b>H165</b>
<b>Power (Watts)</b>	<b>4W</b>
<b>Color Temperature</b>	<b>3000K</b>
<b>Lumen</b>	<b>300lm</b>
<b>Beam Angle</b>	<b>90°</b>
<b>CRI ≥</b>	<b>80</b>
<b>IP Level</b>	<b>65</b>
<b>Input Voltage</b>	<b>220-240V</b>
<b>Main Material</b>	<b>Die-Cast Aluminum</b>
<b>Body Color</b>	<b>Dark Gray</b>



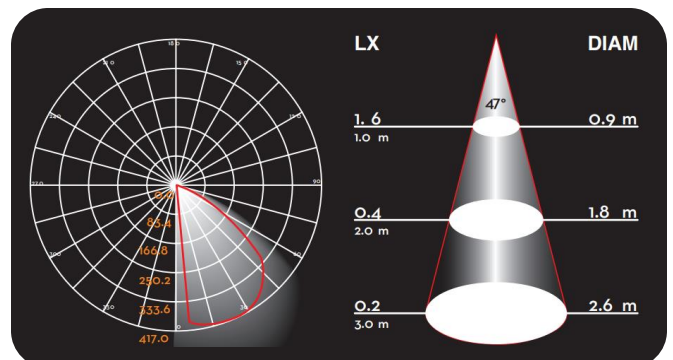
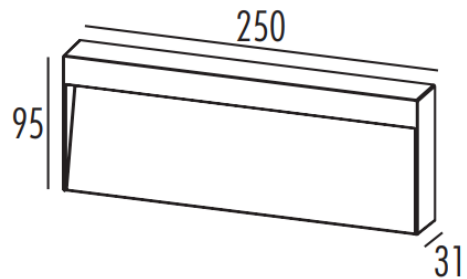
<b>Code</b>	H210 (Dark Gray) / H211 (White)
<b>Power (Watts)</b>	8.5W
<b>Color Temperature</b>	3000K
<b>Lumen</b>	190lm
<b>Beam Angle</b>	42°
<b>CRI</b>	80
<b>IP Level</b>	65
<b>Input Voltage</b>	220-240V
<b>Main Material</b>	Die-Cast Aluminum
<b>Body Color</b>	Dark Gray / White



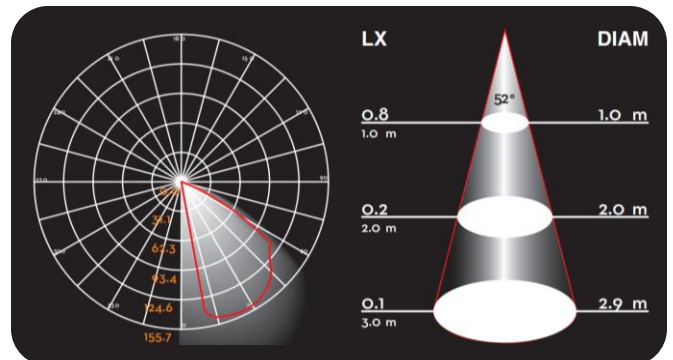
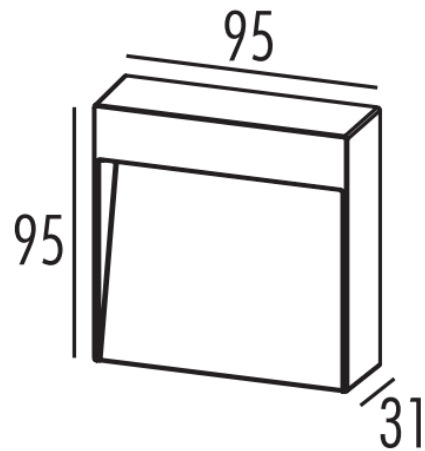
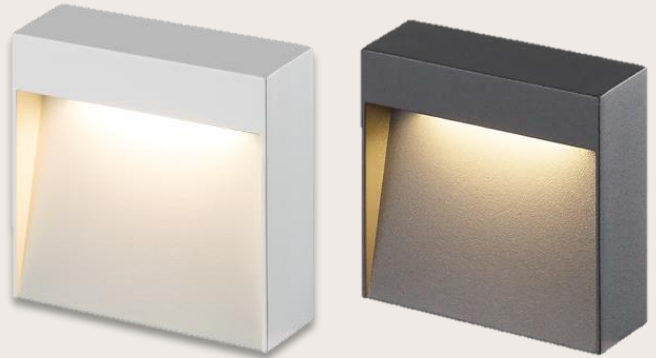
<b>Code</b>	<b>H205</b>
<b>Power (Watts)</b>	<b>28x0.54W (15W)</b>
<b>Color Temperature</b>	<b>3000K</b>
<b>Lumen</b>	<b>436lm</b>
<b>Beam Angle</b>	<b>74°</b>
<b>CRI<sub>r</sub> ≥</b>	<b>80</b>
<b>IP Level</b>	<b>65</b>
<b>Input Voltage</b>	<b>220-240V</b>
<b>Main Material</b>	<b>Die-Cast Aluminum</b>
<b>Body Color</b>	<b>Dark Gray</b>



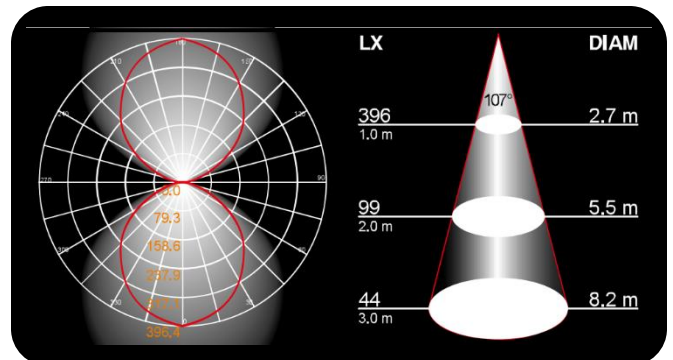
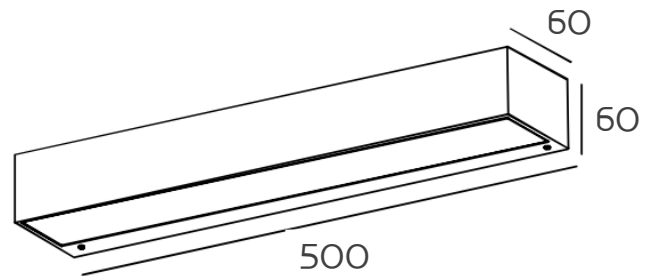
<b>Code</b>	<b>H204 (Dark Gray) / H212 (White)</b>
<b>Power (Watts)</b>	<b>9W</b>
<b>Color Temperature</b>	<b>3000K</b>
<b>Lumen</b>	<b>487lm</b>
<b>Beam Angle</b>	<b>47°</b>
<b>CRI</b>	<b>80</b>
<b>IP Level</b>	<b>65</b>
<b>Input Voltage</b>	<b>220-240V</b>
<b>Main Material</b>	<b>Die-Cast Aluminum</b>
<b>Body Color</b>	<b>Dark Gray / White</b>



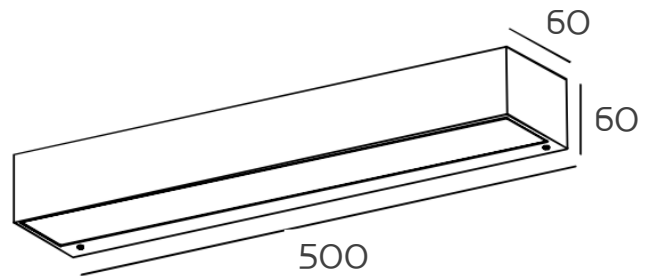
<b>Code</b>	<b>H169 (Dark Gray) / H213 (White)</b>
<b>Power (Watts)</b>	<b>3W</b>
<b>Color Temperature</b>	<b>3000K</b>
<b>Lumen</b>	<b>185lm</b>
<b>Beam Angle</b>	<b>52°</b>
<b>CRI</b>	<b>80</b>
<b>IP Level</b>	<b>65</b>
<b>Input Voltage</b>	<b>220-240V</b>
<b>Main Material</b>	<b>Die-Cast Aluminum</b>
<b>Body Color</b>	<b>Dark Gray / White</b>



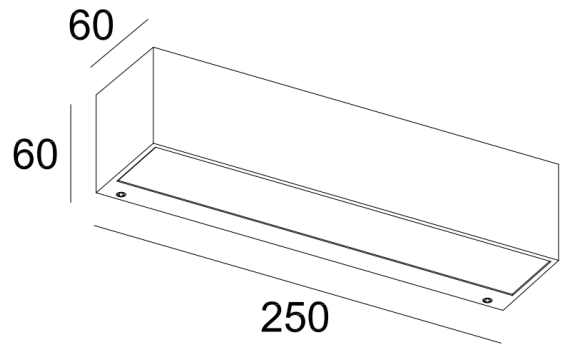
<b>Code</b>	<b>H131</b>
<b>Power (Watts)</b>	<b>20W</b>
<b>Color Temperature</b>	<b>3000K</b>
<b>Lumen</b>	<b>1517lm</b>
<b>Beam Angle</b>	<b>107°</b>
<b>CRI<sub>≥</sub></b>	<b>80</b>
<b>IP Level</b>	<b>65</b>
<b>Input Voltage</b>	<b>220-240V</b>
<b>Main Material</b>	<b>Die-Cast Aluminum</b>
<b>Body Color</b>	<b>Dark Gray</b>



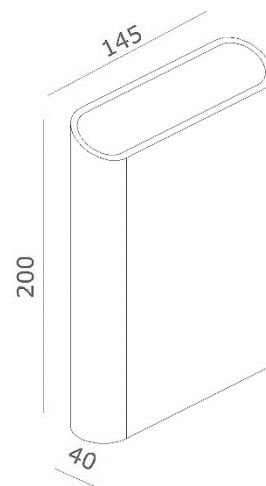
<b>Code</b>	<b>H131-1</b>
<b>Power (Watts)</b>	<b>15W</b>
<b>Color Temperature</b>	<b>3000K</b>
<b>Lumen</b>	<b>1263lm</b>
<b>Beam Angle</b>	<b>107°</b>
<b>CRI<math>\geq</math></b>	<b>80</b>
<b>IP Level</b>	<b>65</b>
<b>Input Voltage</b>	<b>220-240V</b>
<b>Main Material</b>	<b>Die-Cast Aluminum</b>
<b>Body Color</b>	<b>Dark Gray</b>



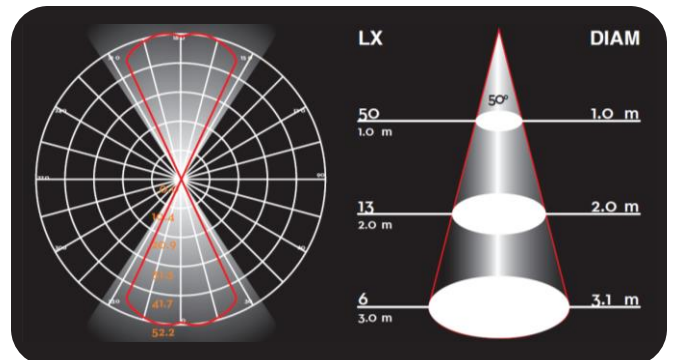
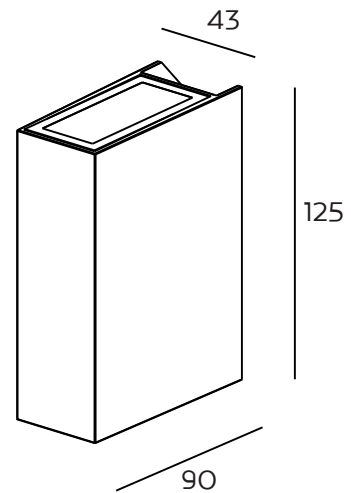
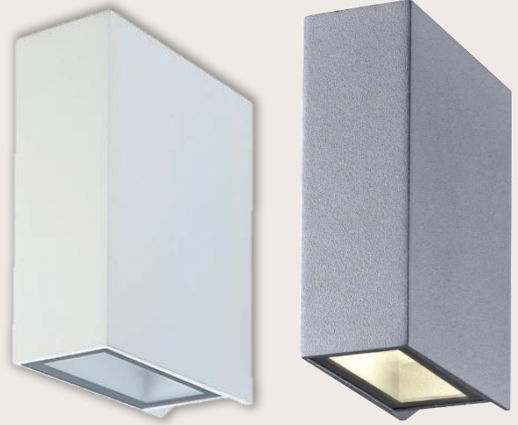
<b>Code</b>	<b>H215</b>
<b>Power (Watts)</b>	<b>15W</b>
<b>Color Temperature</b>	<b>3000K</b>
<b>Lumen</b>	<b>1140lm</b>
<b>Beam Angle</b>	<b>110°</b>
<b>CRI<math>\geq</math></b>	<b>80</b>
<b>IP Level</b>	<b>65</b>
<b>Input Voltage</b>	<b>220-240V</b>
<b>Main Material</b>	<b>Die-Cast Aluminum</b>
<b>Body Color</b>	<b>Dark Gray</b>



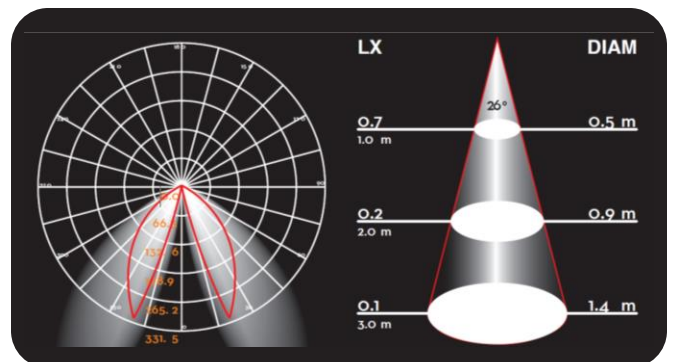
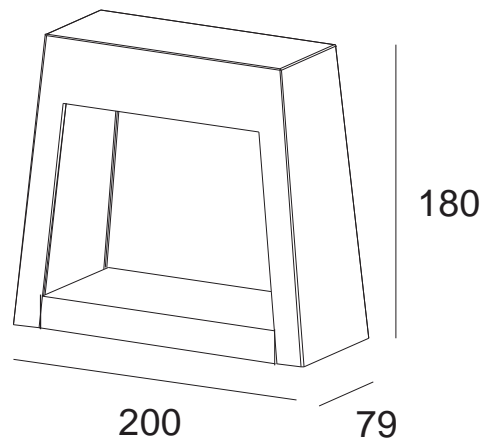
<b>Code</b>	<b>LC220 (Dimmable)</b>
<b>Power (Watts)</b>	<b>2x6W</b>
<b>Color Temperature</b>	<b>3000K</b>
<b>Lumen</b>	<b>1050lm</b>
<b>Light Source</b>	<b>Teen LED</b>
<b>CRI<math>\geq</math></b>	<b>90</b>
<b>IP rating</b>	<b>65</b>
<b>Main Material</b>	<b>Die-Cast Aluminum</b>
<b>Body Color</b>	<b>Matt Black</b>



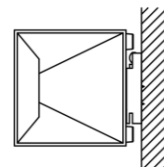
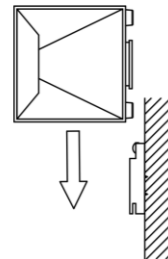
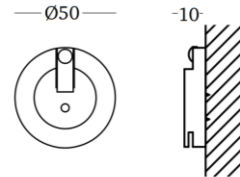
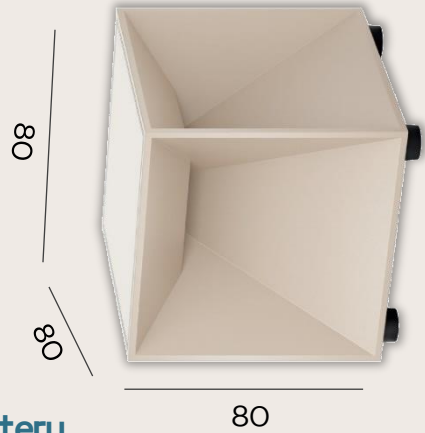
<b>Code</b>	H116 (Dark Gray) / H216 (White)
<b>Power (Watts)</b>	2x4W (8W)
<b>Color Temperature</b>	3000K
<b>Lumen</b>	320lm
<b>Beam Angle</b>	50°
<b>CRI ≥</b>	80
<b>IP Level</b>	54
<b>Input Voltage</b>	220-240V
<b>Main Material</b>	Die-Cast Aluminum
<b>Body Color</b>	Dark Gray / White



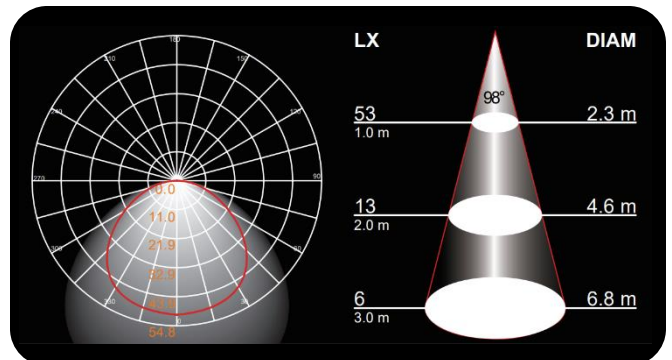
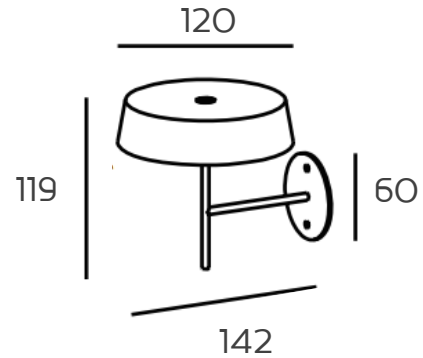
<b>Code</b>	<b>H160</b>
<b>Power (Watts)</b>	<b>18W</b>
<b>Color Temperature</b>	<b>3000K</b>
<b>Lumen</b>	<b>612lm</b>
<b>Beam Angle</b>	<b>28°</b>
<b>CRI<sub>≥</sub></b>	<b>80</b>
<b>IP rating</b>	<b>65</b>
<b>Input Voltage</b>	<b>220-240V</b>
<b>Main Material</b>	<b>Die-Cast Aluminum</b>
<b>Body Color</b>	<b>Dark Gray</b>



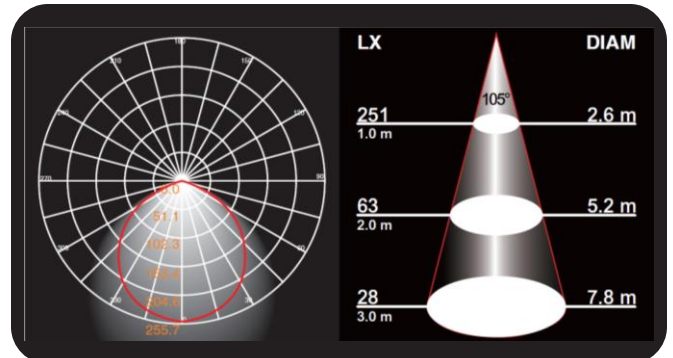
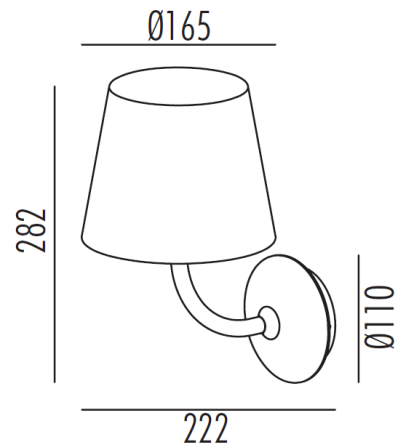
<b>Code</b>	<b>Cubox Mini</b>
<b>Power (Watts)</b>	<b>2.2W</b>
<b>Color Temperature</b>	<b>3000K/2700K</b>
<b>Body Material</b>	<b>Die-Cast Aluminum</b>
<b>IP Level</b>	<b>54</b>
<b>CRI <math>\geq</math></b>	<b>80</b>
<b>Work Time</b>	<b>8-9h</b>
<b>Charge Time</b>	<b>4-5h</b>
<b>Battery</b>	<b>1x3000mAh Lithium Battery</b>
<b>Dimmable</b>	<b>Touch Switch</b>
<b>Body Color</b>	<b>Sand</b>



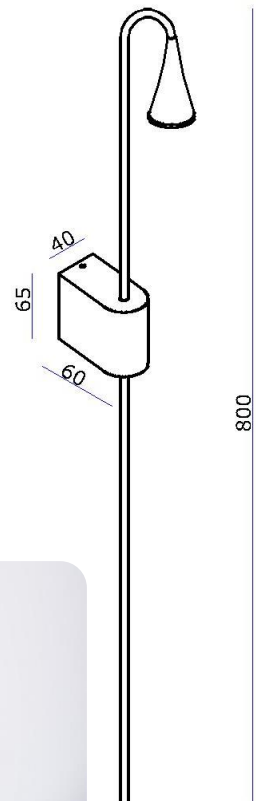
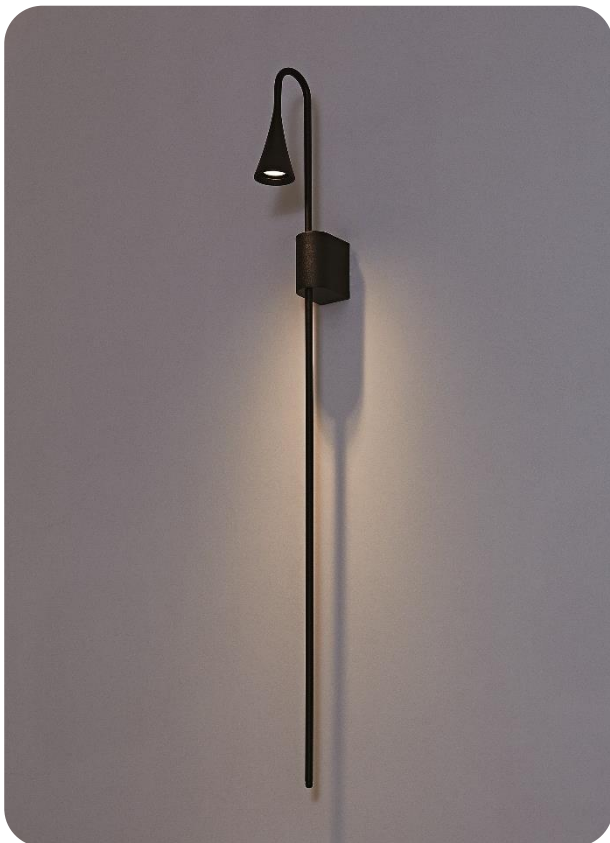
<b>Code</b>	<b>H196</b>
<b>Power (Watts)</b>	<b>2.2W</b>
<b>Color Temperature</b>	<b>3000K</b>
<b>Lumen</b>	<b>195lm</b>
<b>Beam Angle</b>	<b>98°</b>
<b>CRI<sub>≥</sub></b>	<b>85</b>
<b>IP Level</b>	<b>54</b>
<b>Work Time</b>	<b>12h</b>
<b>Charge Time</b>	<b>5-7h</b>
<b>Battery</b>	<b>2x2200mAh Lithium Battery</b>
<b>Main Material</b>	<b>Die-Cast Aluminum</b>
<b>Body Color</b>	<b>Shining Black</b>



<b>Code</b>	H155 (Dark Gray) H156 (White)
<b>Power (Watts)</b>	7W
<b>Color Temperature</b>	3000K
<b>Lumen</b>	555lm
<b>Beam Angle</b>	105°
<b>CRI ≥</b>	80
<b>IP Level</b>	65
<b>Input Voltage</b>	220-240V
<b>Main Material</b>	Die-Cast Aluminum
<b>Body Color</b>	Dark Gray / White



<b>Code</b>	<b>LC119 (BLK) / LC197 (WHT)</b>
<b>Power (Watts)</b>	<b>3.2W</b>
<b>Light Source</b>	<b>LED Teen</b>
<b>Color Temperature</b>	<b>3000K</b>
<b>Lumen</b>	<b>242lm</b>
<b>Beam Angle</b>	<b>38°</b>
<b>CRI<math>\geq</math></b>	<b>90</b>
<b>IP Level</b>	<b>54</b>
<b>Input Voltage</b>	<b>230V</b>
<b>Main Material</b>	<b>Die-Cast Aluminum</b>
<b>Body Color</b>	<b>Black / White</b>







نوران  
NOORAN