

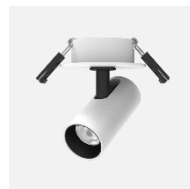
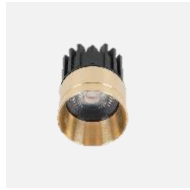


نوران
NOORAN

RECESSED CEILING LIGHT DATASHEET

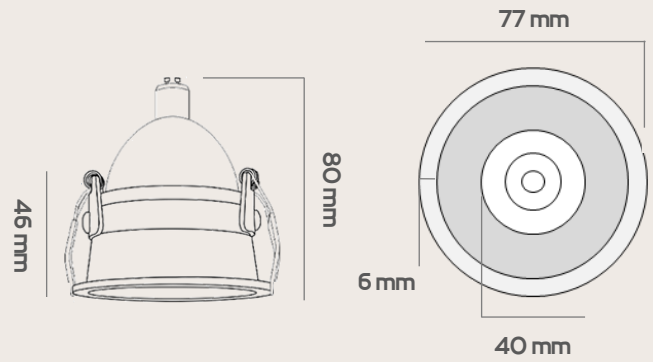
APR - 2026

Recessed Light

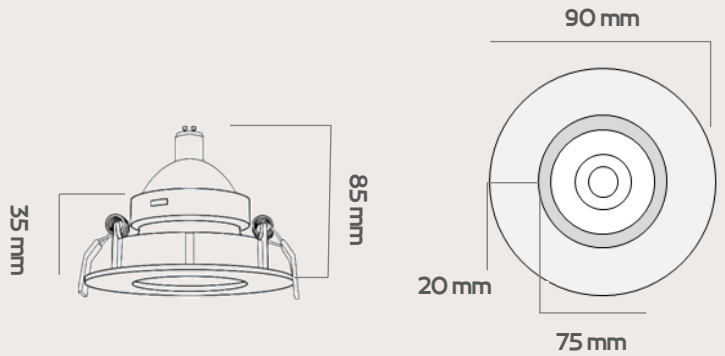




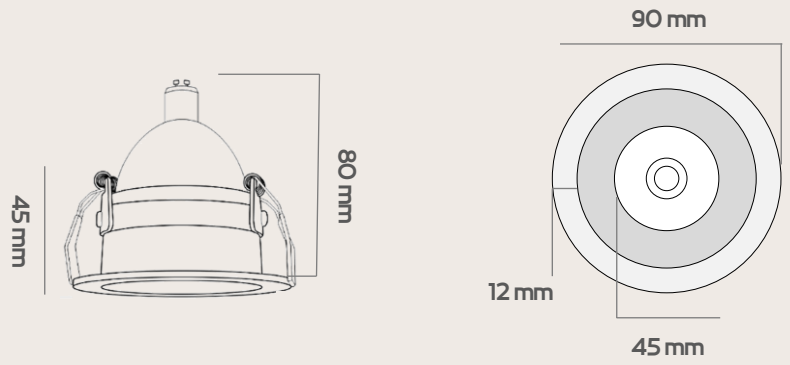
Code	N1001
Base	GU10
Cut Out	68 mm
Main Material	Aluminum
Body Color	Black / White



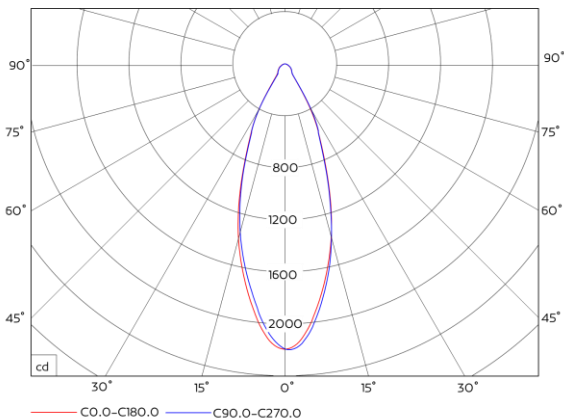
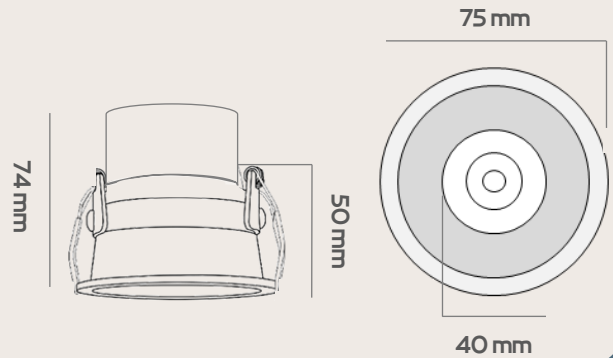
Code	N1002
Base	GU10
Cut Out	80 mm
Main Material	Aluminum
Reflector Color	Black / White / Gold
Body Color	White



Code	N1003
Base	GU10
Cut Out	80 mm
Main Material	Aluminum
Body Color	Black / White



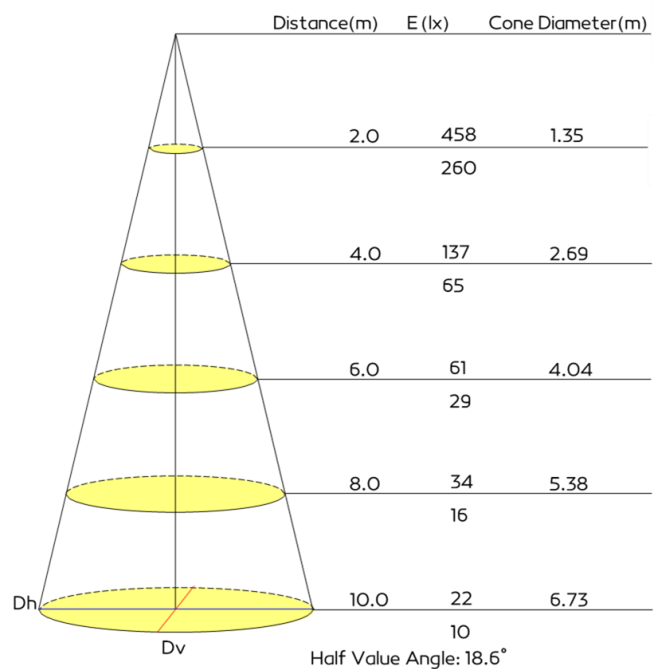
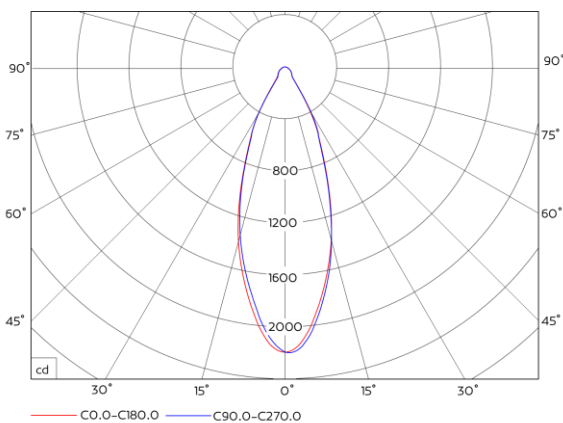
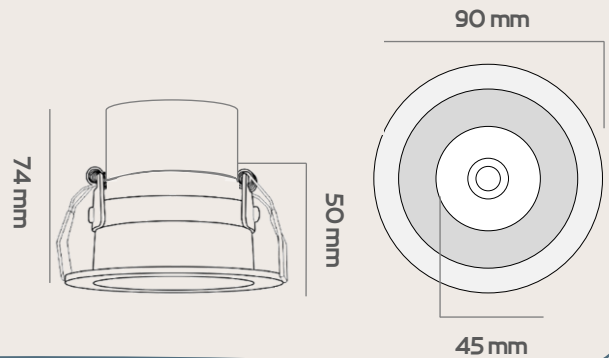
Code	N1024
Cut Out	68 mm
Input Voltage	220V
Power(Watts)	12W
Lumen	1100lm
Light Source	Philips
Beam Angle	15° . 30° . 50°
Color Temperature	3000K . 4000K . 5700K
CRI ≥	90
IP Level	20
Main Material	Aluminum
Body Color	Black / White



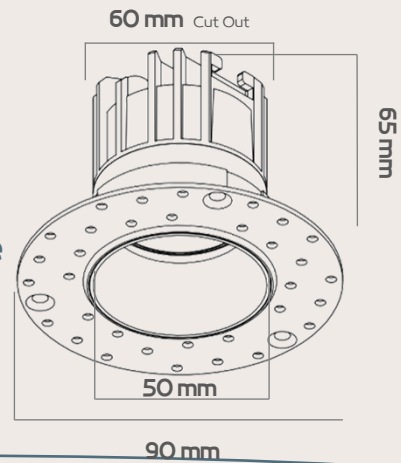
Distance(m)	E (lx)	Cone Diameter(m)
2.0	458	1.35
4.0	137	2.69
6.0	61	4.04
8.0	34	5.38
10.0	22	6.73

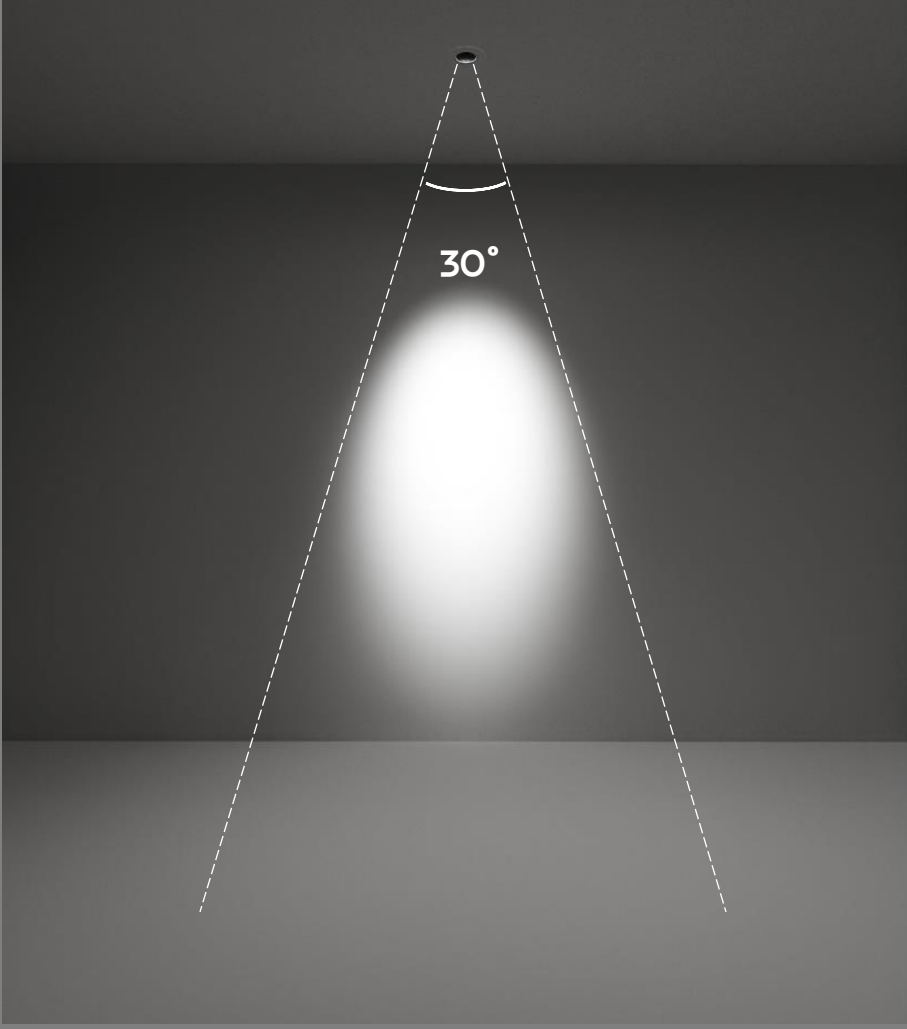
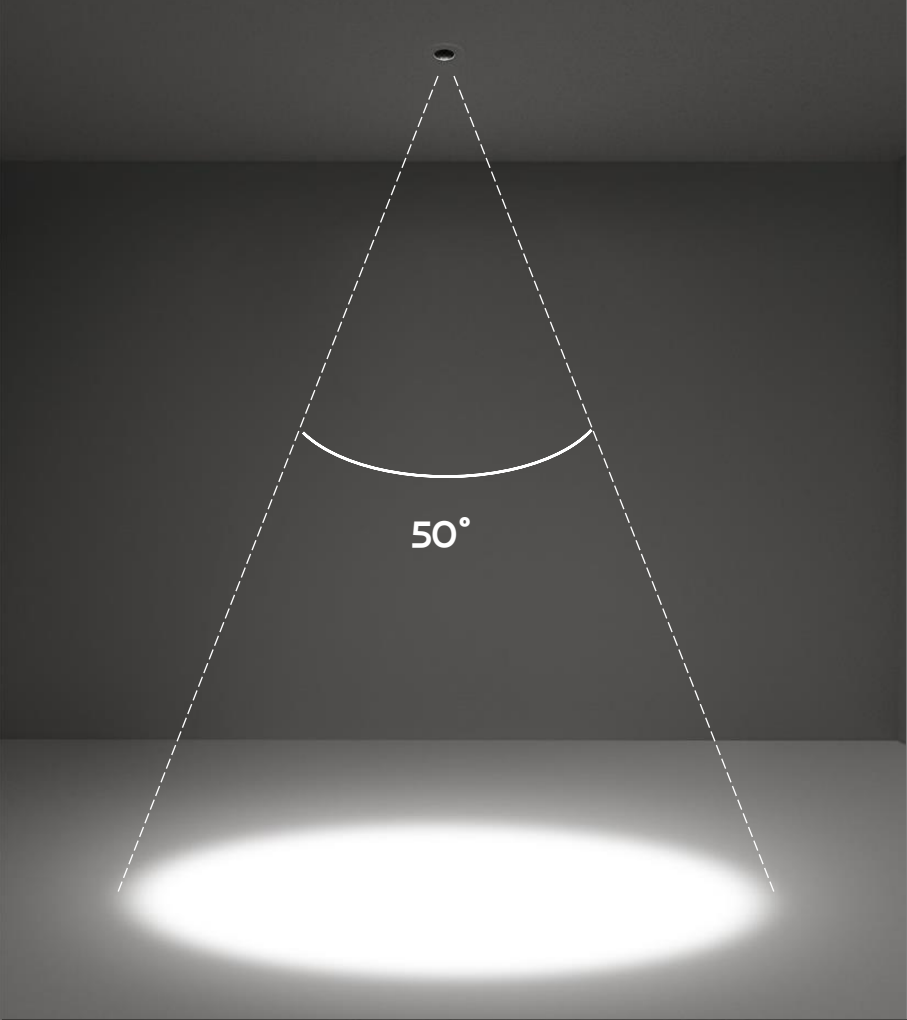
Half Value Angle: 18.6°

Code	N1025
Cut Out	80 mm
Input Voltage	220V
Power(Watts)	12W
Lumen	1100lm
Light Source	Philips
Beam Angle	15° . 30° . 50°
Color Temperature	3000K . 4000K . 5700K
CRI ≥	90
IP Level	20
Main Material	Aluminum
Body Color	Black / White

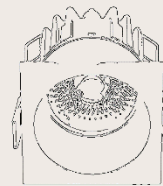


Code	N1019
Cut Out	60 mm
Input Voltage	220V
Power(Watts)	12W
Lumen	1100lm
Light Source	Philips
Beam Angle	15° . 30° . 50°
Color Temperature	3000K . 4000K . 5700K
CRI \geq	90
IP Level	20
Main Material	Aluminum . Polycarbonate
Body Color	Black / White / Gold

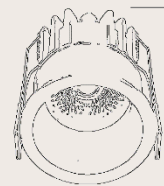




Code	N1021-R / N1021-S
Cut Out	55mm
Input Voltage	220 V
Power(Watts)	12W
Lumen	1100lm
Light Source	Philips
Beam Angle	15° . 30° . 50°
Color Temperature	3000K . 4000K . 5700K
CRI ≥	90
IP Level	20
Main Material	Aluminum
Body Color	White / Black / Gold



68 mm



59 mm

67 mm

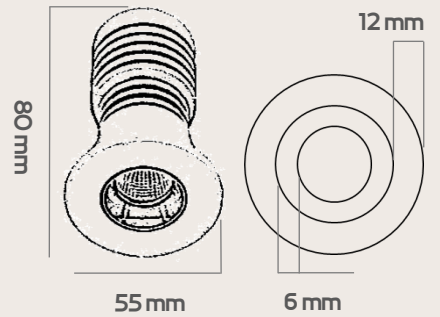
Square Body Form



Round Body Form



Code	N1020
Cut Out	45 mm
Power(Watts)	8W
Lumen	528.5lm
Light Source	CREE COB I306C
Beam Angle	30°
Color Temperature	2700K
CRI \geq	90
IP Level	20
Main Material	Aluminum
Reflector Color	Matt & Shining Black / Gold
Body Color	Black / White



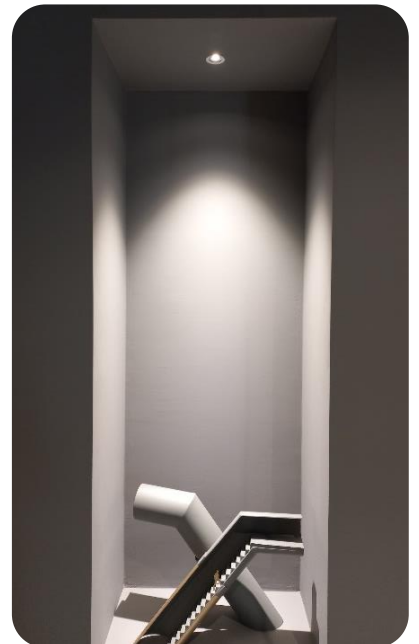
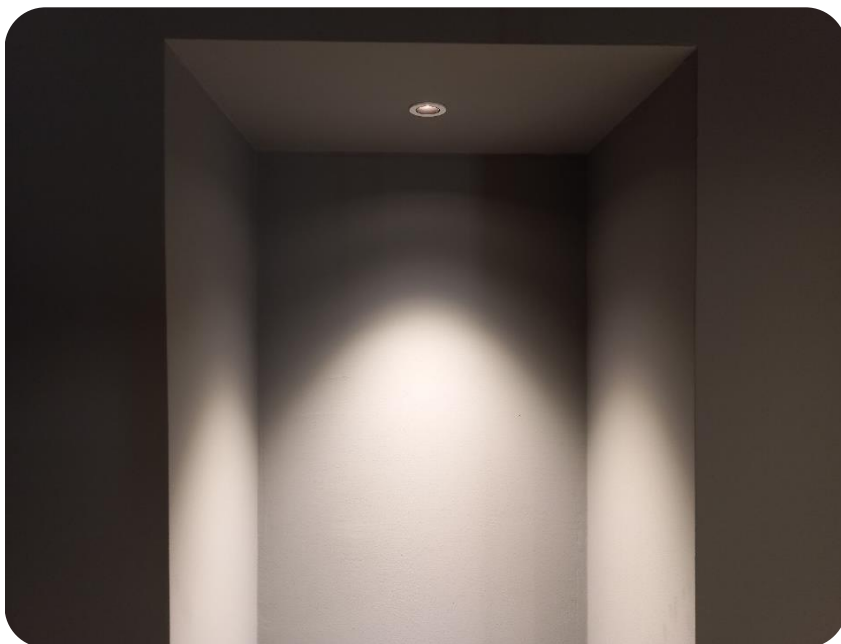
Shining Black



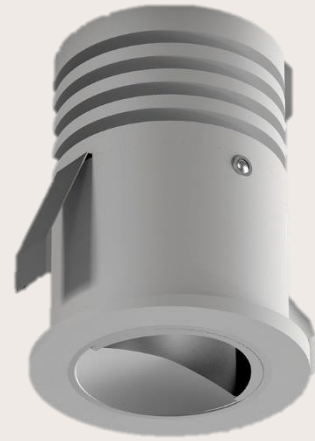
Matt Black



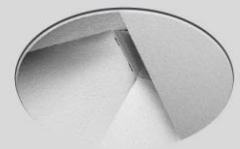
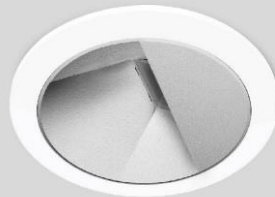
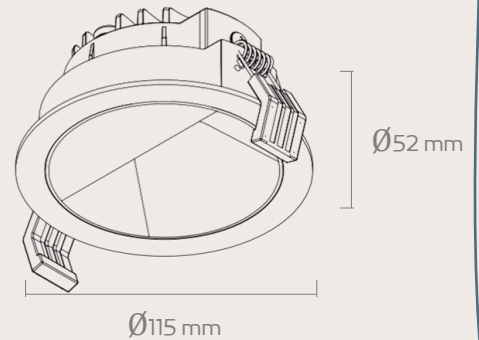
Shining Gold



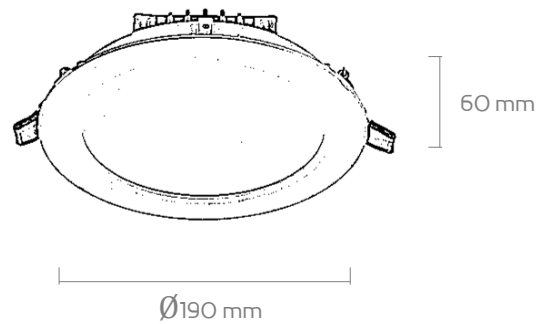
Code	LC219
Light source	TEEN LED
Power(Watts)	7W
Cut out	Ø 50 mm
Lumen	408lm
Color Temperature	3000K
Beam Angle	40°
CRI ≥	90
IP Level	20
Main Material	Aluminum
Body Color	Matt White



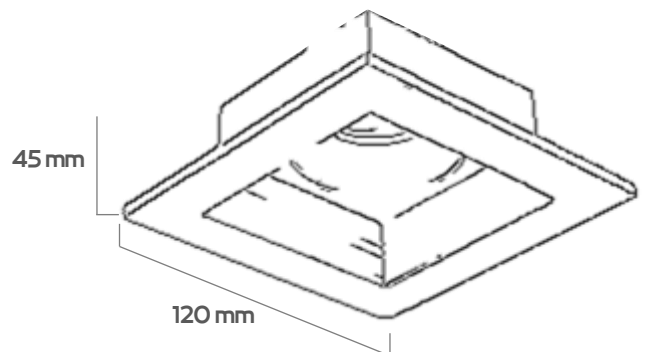
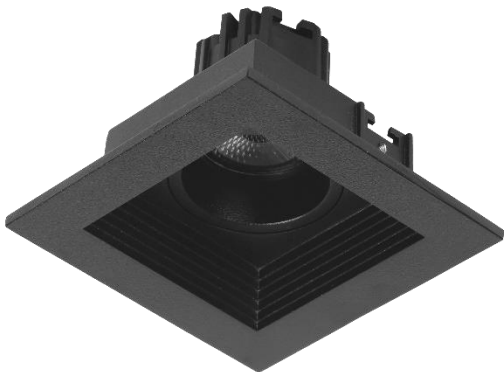
Code	T360
Cut Out	Ø100 mm
Output Voltage	7-18 700MA
Power(Watts)	2x4W (8W)
Lumen	522.4lm
Lamp Holder	Ceramic PCB
Light Source	CREE XPG-2
Beam Angle	85.4°
Color Temperature	3000K . 4000K
CRI ≥	80
IP Level	20
Main Material	Aluminum
Body Color	White
Certificate	CE ROHS



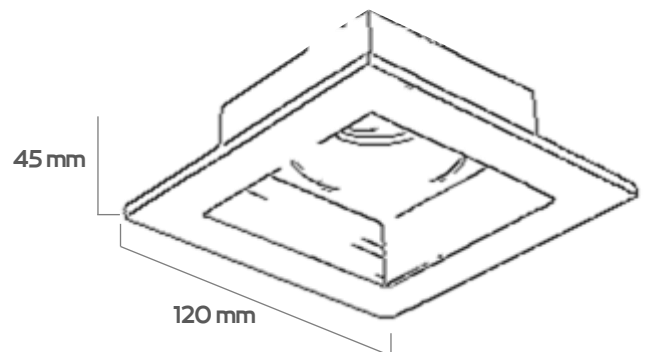
Code	E155
Cut Out	Ø175 mm
Power(Watts)	18W
Lumen	1620lm
Color Temperature	3000K
IP Level	20
Body Color	White



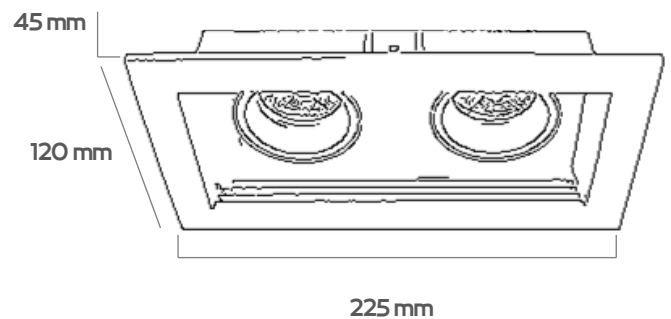
Code	N1022-COB
Cut Out	95x95 mm
Input Voltage	220
Light Source	Philips COB
Power(Watts)	12W
Lumen	1100lm
Beam Angle	15° . 30° . 50°
IP Level	20
Color Temperature	3000K . 4000K . 5700K
CRI \geq	90
Main Material	Aluminum
Body Color	Black / White



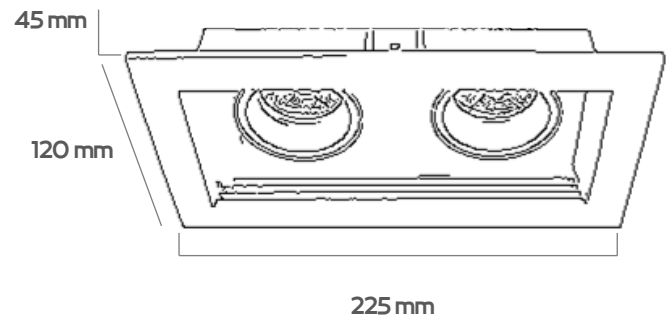
Code	N1022-GU10
Cut Out	95x95 mm
Input Voltage	220
Light Source	GU10
Power(Watts)	6W
Lumen	550lm
Beam Angle	35°
IP Level	20
Color Temperature	3000K
CRI \geq	80
Main Material	Aluminum
Body Color	Black / White



Code	N1023-COB
Cut Out	95x200 mm
Input Voltage	220
Light Source	Philips COB
Power(Watts)	2*12W (24W)
Lumen	2*1100lm (2200lm)
Beam Angle	15° . 30° . 50°
IP Level	20
Color Temperature	3000K . 4000K . 5700K
CRI \geq	90
Main Material	Aluminum
Body Color	Black / White




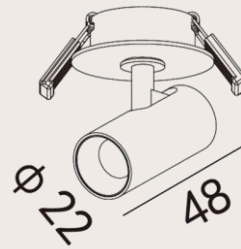
Code	N1023-GU10
Cut Out	95x200 mm
Input Voltage	220
Light Source	GU10
Power(Watts)	2*6W (12W)
Lumen	2*550lm (1100lm)
Beam Angle	35°
IP Level	20
Color Temperature	3000K
CRI \geq	80
Main Material	Aluminum
Body Color	Black / White



Code	T364 (WHT) / T365 (BLK)
Cut Out	38 mm
Power(Watts)	2.1W
Input Voltage	700mA
Lumen	128lm
Light Source	CREE XPE-2
Beam Angle	30°
Color Temperature	3000K
CRI \geq	90
IP Level	20
Main Material	Aluminum
Body Color	White / Black



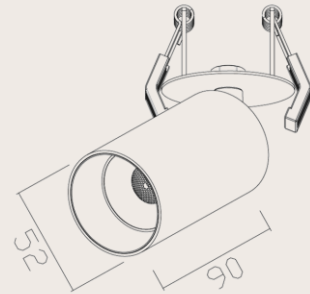
 38(Cut out)



Code	T366 (WHT) / T367 (BLK)
Cut Out	55 mm
Power(Watts)	12.7W
Input Voltage	350mA
Lumen	1425lm
Light Source	CREE CMB1510
Beam Angle	30°
Color Temperature	3000K
CRI \geq	90
IP Level	20
Main Material	Aluminum
Body Color	White / Black
Dimmable	Optional



⌀ 55(Cut out)





نوران
NOORAN