



نوران
NOORAN

SURFACE MOUNTED DATASHEET

APR - 2026

Surface-mounted Light

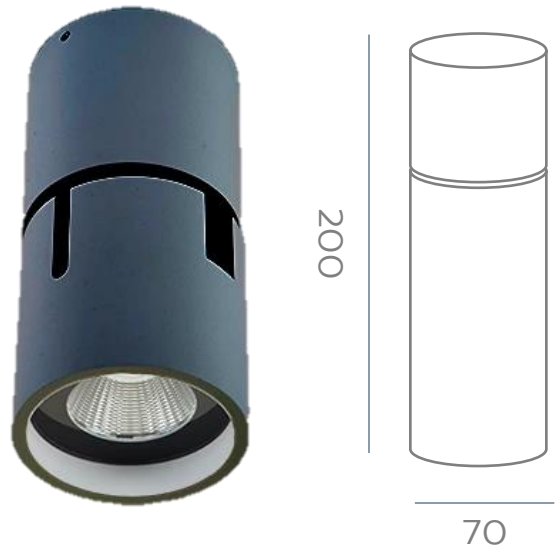




Surface-mounted Light



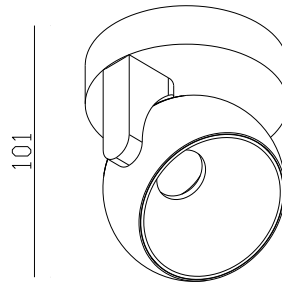
Code	LC156 (BLK) (Dimmable)
Power (Watts)	7W
Color Temperature	3000K
Light Source	Lumileds LED
IP Level	20
Main Material	Aluminum
Body Color	Black



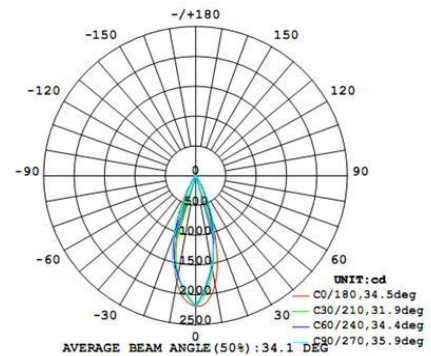
Code	LC218 (Dimmable)
Light source	TEEN LED
Power(Watts)	9W
Lumen	882lm
Color Temperature	3000K
CRI ≥	90
IP Level	20
Main Material	Aluminum
	Base: black
Color	Head: Foggy Nickel
	Arm: black



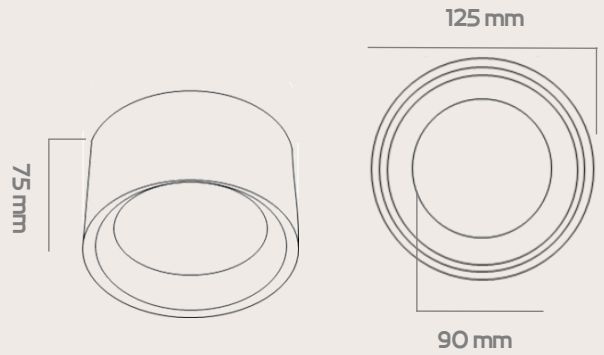
∅112



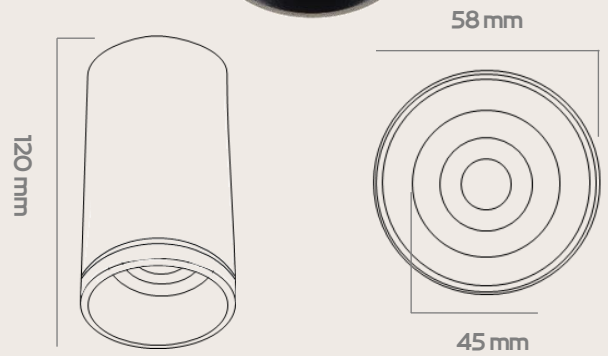
LUMINOUS INTENSITY DISTRIBUTION DIAGRAM



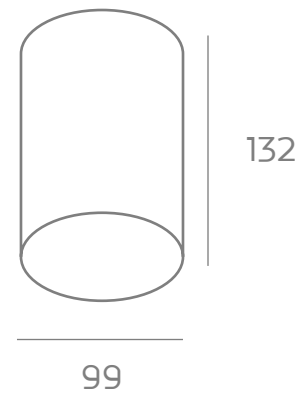
Code	N1007
Input Voltage	230V
Power(Watts)	12W
Lumen	900lm
Lamp Holder	Aluminum PCB
Light Source	TD Lighting
Color Temperature	3000K . 4000K
CRI \geq	80
IP Level	20
Main Material	Aluminum
Dimmable	Optional
Color	Black / White



Code	N1006
Base	GU10
Power(Watts)	6W
Lumen	550lm
Lamp Holder	Ceramic
Light Source	GU10
Beam Angle	35°
Color Temperature	3000K
CRI \geq	80
IP Level	20
Main Material	Aluminum
Body Color	Black/ White

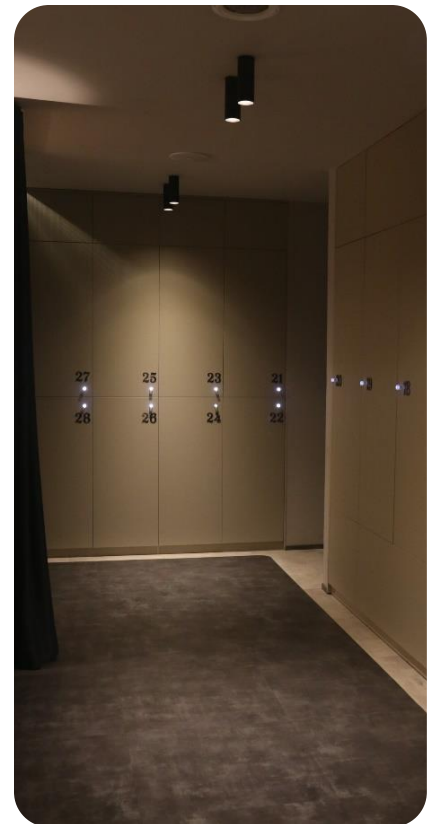
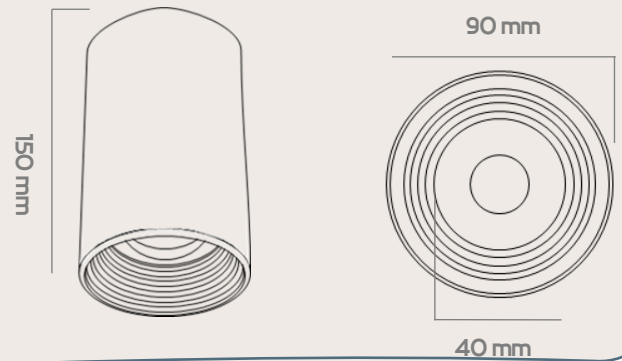


Code	T111 (WHT)
Power (Watts)	10.7W
Color Temperature	3000K
Beam Angle	30°
Light Source	CREE CXA1512 LED
Lumen	1261lm
IP Level	20
Main Material	Aluminum
Body Color	Black / White

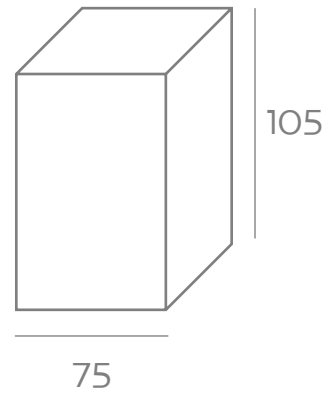


Surface-Mounted Light

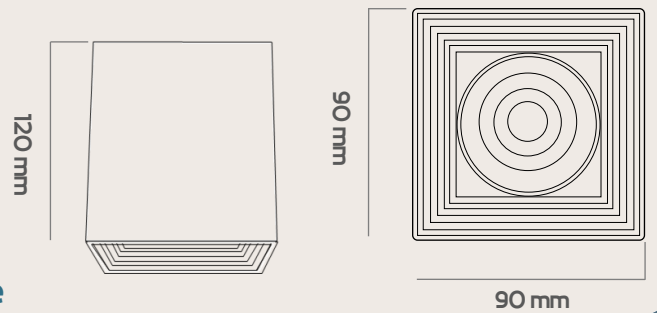
Code	N1012-150
Base	GU10
Power(Watts)	6W
Lumen	550lm
Lamp Holder	Ceramic
Light Source	GU10
Beam Angle	35°
Color Temperature	3000K
CRI \geq	80
IP Level	20
Main Material	Aluminum
Reflector Color	White
Body Color	Black / White



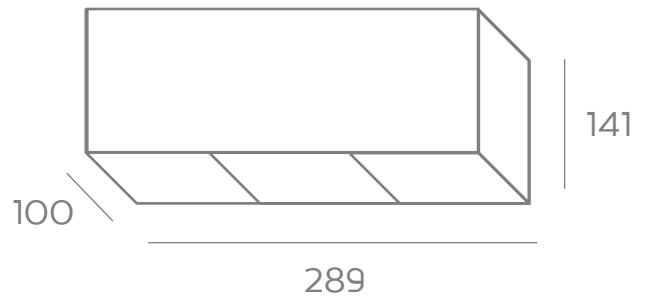
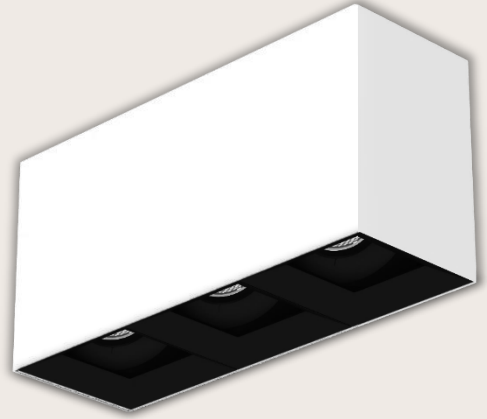
Code	T113 (WHT)
Power (Watts)	5W
Color Temperature	3000K
Beam Angle	36°
Light Source	CREE CXA1304 LED
IP Level	20
Main Material	Aluminum
Body Color	Black / White



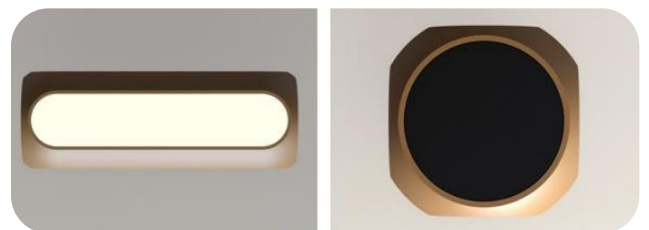
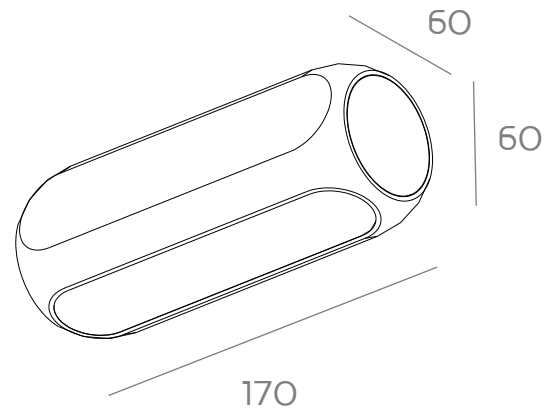
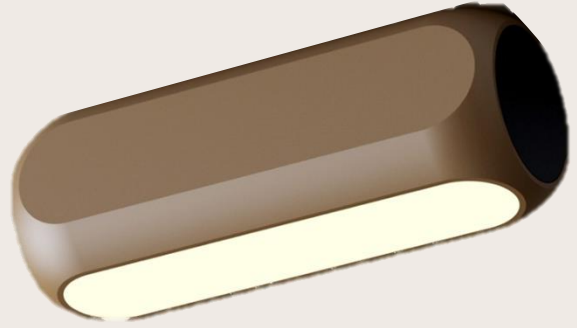
Code	N1005-120
Base	GU10
Power(Watts)	6W
Lumen	550lm
Lamp Holder	Ceramic
Light Source	GU10
Beam Angle	35°
Color Temperature	3000K
CRI \geq	80
IP Level	20
Main Material	Aluminum
Reflector Color	White
Body Color	Black / White



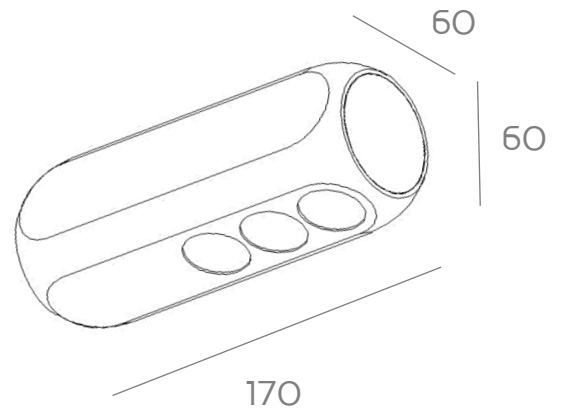
Code	T115 (WHT)
Power (Watts)	3x10.7W (32W)
Color Temperature	3000K
Beam Angle	30°
Light Source	CREE CXA1512 LED
Lumen	2522
IP Level	20
Main Material	Aluminum
Body Color	White



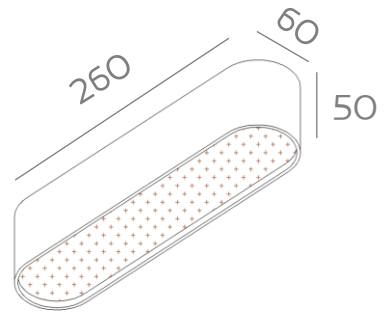
Code	LC167
Power (Watts)	15.5W
Color Temperature	3000K
Lumen	1209lm
Beam Angle	112°
CRI_≥	90
Light Source	Edison LED
IP Level	20
Input Voltage	220V
Main Material	Aluminum
Body Color	Silver Coffee + Black



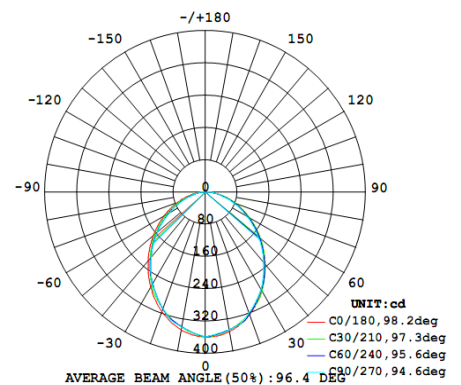
Code	LC168
Power (Watts)	15.5W
Color Temperature	3000K
Lumen	1209lm
Beam Angle	35.7°
CRI_≥	90
Light Source	Teen LED
IP Level	20
Input Voltage	220V
Main Material	Aluminum
Body Color	Silver Coffee + Black



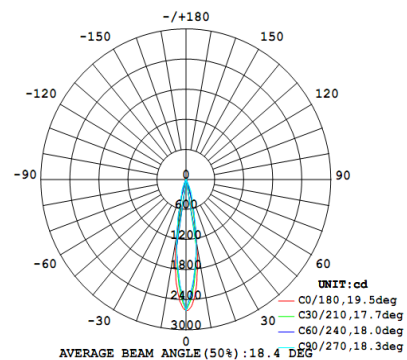
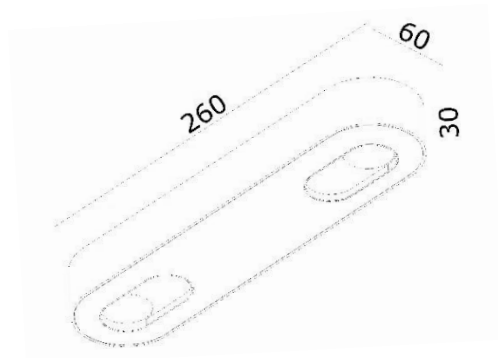
Code	LC135
Power (Watts)	10.5W
Color Temperature	3000K
Lumen	855lm
Light Source	EDS LED
CRI\geq	90
IP Level	20
Main Material	Aluminum + Acrylic + Iron
Body Color	White



LUMINOUS INTENSITY DISTRIBUTION DIAGRAM

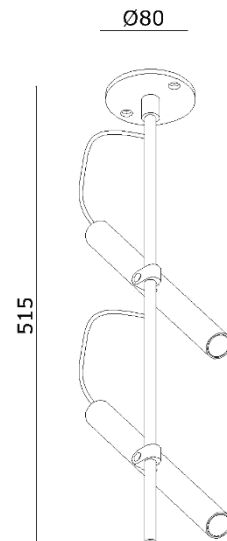


Code	LC139
Light source	TEEN LED
Power(Watts)	11W
Lumen	685lm
Color Temperature	3000K
Beam Angle	18°
CRI ≥	90
IP Level	20
Main Material	Aluminum



Surface-Mounted Light

Code	LC126 (BLK)
Power (Watts)	2x5W (10W)
Color Temperature	3000K
Light Source	TEEN LED
CRI \geq	90
IP Level	20
Main Material	Aluminum
Body Color	Black



Surface-Mounted Light

Code	C211
Input Voltage	100-130V
Power(Watts)	5W
Lumen	420lm
Color Temperature	3000K
CRI \geq	90
IP Level	20
Main Material	Aluminum
Body Color	Black



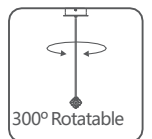
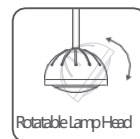
140 mm



625 mm



66 mm





نوران
NOORAN